

Link-Belt® Bearings

**Link-
Belt®**

NEW

Self-Aligning

Type E

Spherical
Roller Bearings

Rexnord
|||||

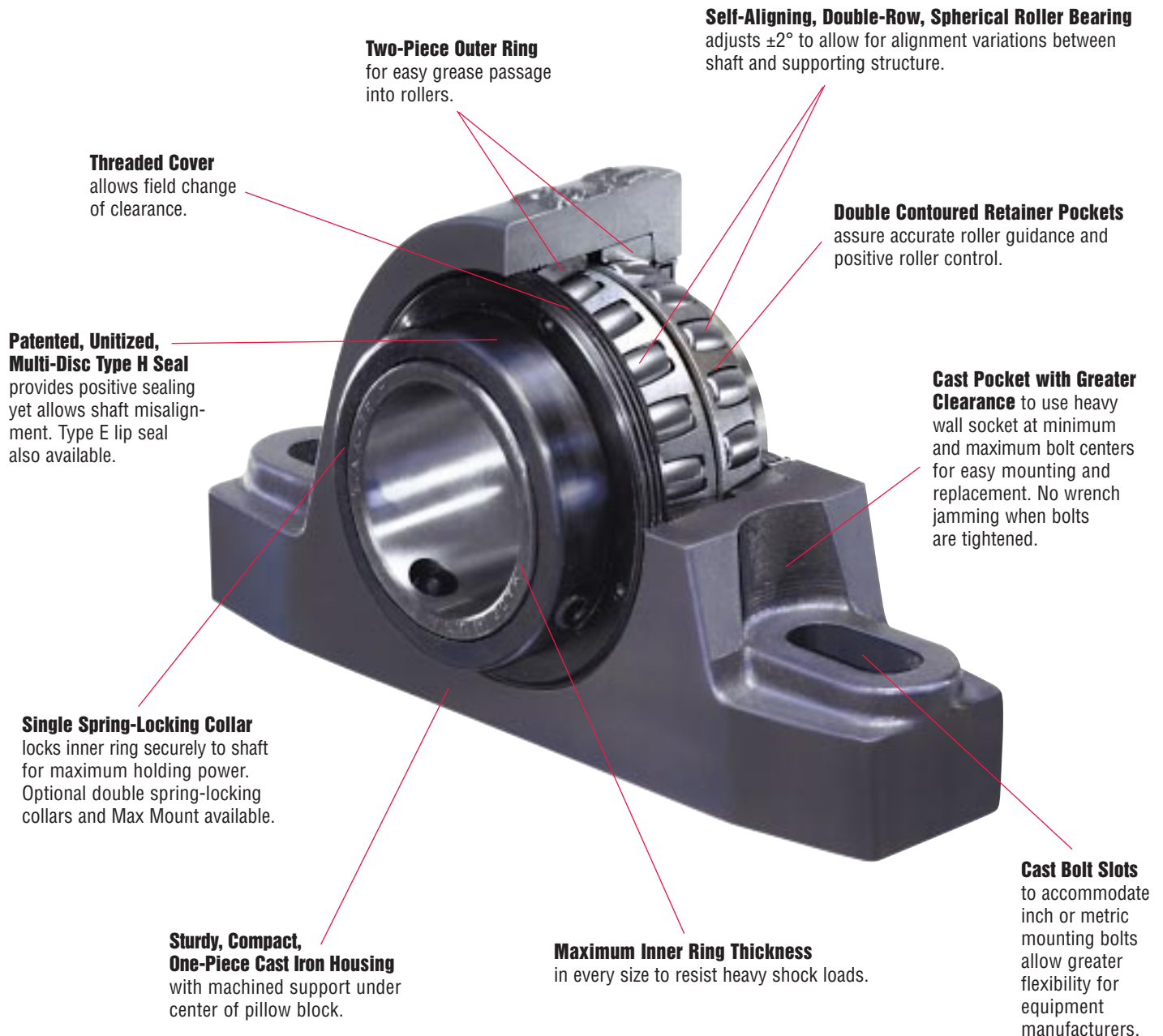
An Invensys company

Link-Belt® Self-Aligning Type E Spherical Roller Bearings

Featuring Exclusive $\pm 2^\circ$ Dynamic Misalignment Capability

Reduce downtime and increase production by upgrading to Link-Belt self-aligning Type E roller bearings. Upgrade is easy because they are fully interchangeable in dimensions and load-carrying capability with other manufacturers' tapered roller bearing Type E designs. Link-Belt's unique spherical roller bearing design allows for running misalignment of up to $\pm 2^\circ$. Other manufacturers' Type E roller bearings made with tapered rollers do not allow for misalignment between the shaft and structure. Link-Belt's self-aligning Type E bearing allows for installation inaccuracies or shaft deflection. This eliminates premature bearing, shaft, structure, pulley and other connected equipment failures that result when the components operate in a bind.

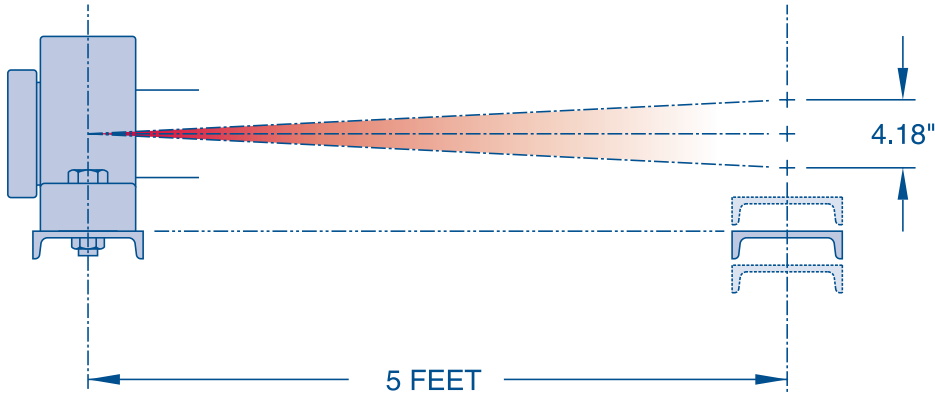
Link-Belt Type E bearings are available with single spring-locking collar, double spring-locking shaft collars, or our new Max Mount adapter mounting. All three shaft-locking types are available in two- or four-bolt pillow blocks, piloted flange blocks, take-ups and flange-mount blocks. Link-Belt Type E bearings are supplied fully assembled and factory lubricated for easy installation.



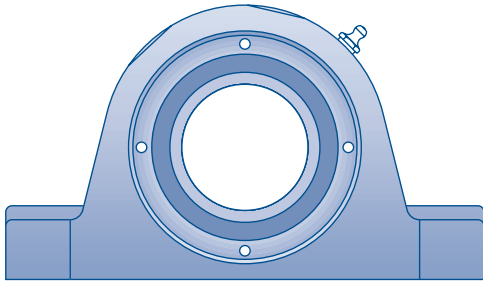
Link-Belt® Self-Aligning Type E Spherical Roller Bearings

±2° Dynamic Misalignment

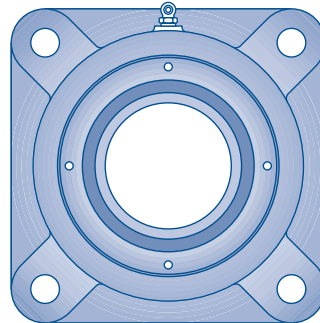
Self-aligning, double-row, spherical roller bearings allow for high misalignment during operation, providing extended bearing life. On five-foot bearing centers, alignment variation between shaft and supporting structure can be as much as ±2.09" or 4.18" total.



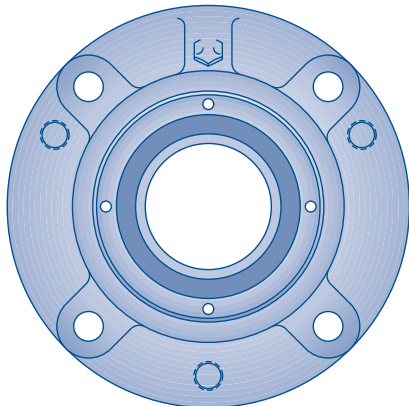
Housing Options



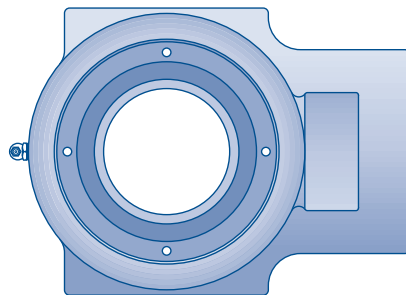
EP-B22400H



EFR-B22400H



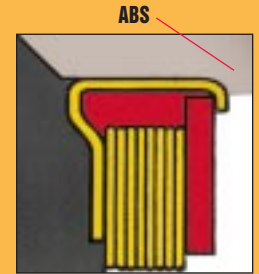
FC-B22400H



T-B22400H

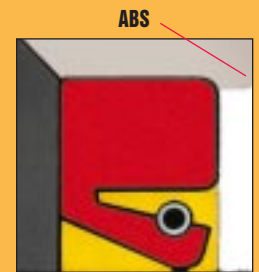
Seal Variety

Housing design includes **Anti-Blowout Shoulder (ABS)** to retain seal and allow grease to purge during lubrication.



"H" Multiple-Disc Labyrinth

This floating labyrinth seal has multiple self-aligning steel rings held securely in place in a steel carrier. The "H" seal is standard in Link-Belt Type E bearings and is designed to keep abrasive contaminants such as quarry dust, out of the bearing while retaining grease in the bearing cavity. The all-metal "H" seal design is more resistant to abrasive wear than rubber lip seals.



"E" Spring-Loaded Lip Seal

The "E" spring-loaded lip seal provides uniform pressure for effective seal contact on the bearing inner ring. The optional "E" seal is designed to keep liquid contaminants out of the bearing while retaining grease in the bearing cavity. To specify the "E" spring-loaded lip seal, replace the "H" at the end of the standard Link-Belt part number with an "E."

New Link-Belt® Max Mount™ Spherical Roller Bearings

Max Mount B22600 Series

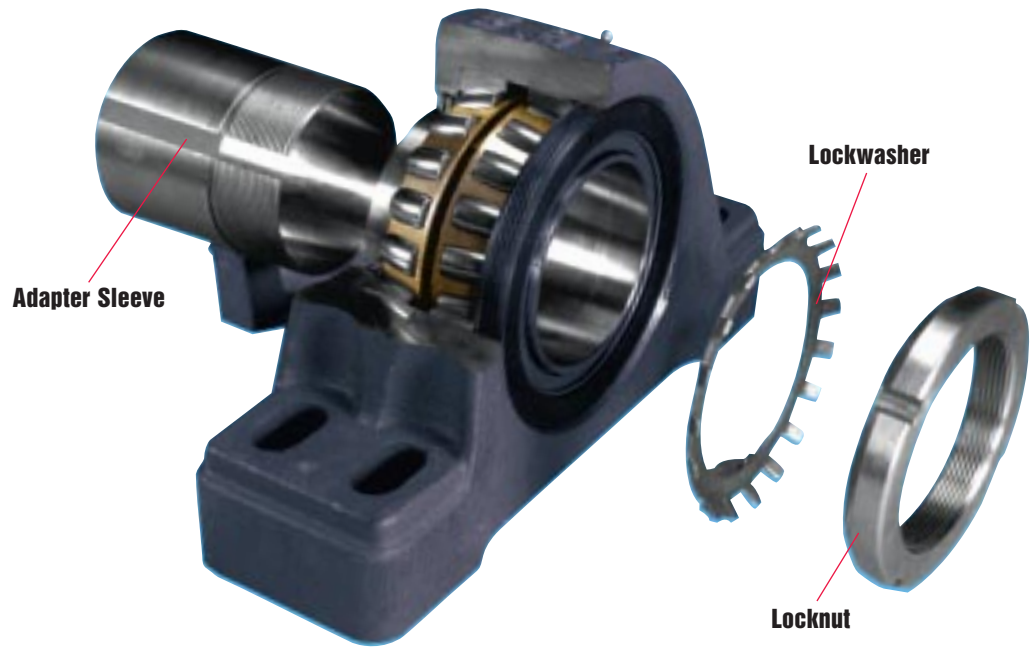
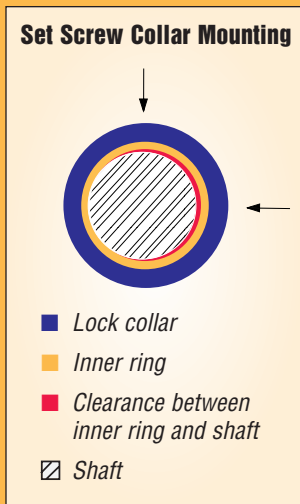
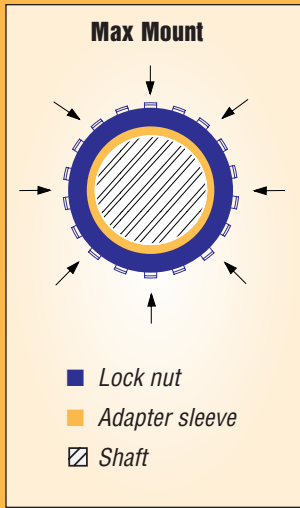
Extra Features

Improved Mounting Design

The B22600 adapter mounting provides better concentricity and shaft control, increasing service life. Where Turned, Ground and Polished shafting is the norm on collar-mounted units, the maximized mounting power of the B22600 allows for Commercial Grade Shafting compatibility (a commonly used grade of shafting due to its price and availability).

Extended Shaft Life

Shaft damage from set screws is eliminated with the B22600's improved mounting design. Shaft damage from the bearing inner ring fretting to the shaft (the result of a clearance or loose fit) is also eliminated. These improvements facilitate easier bearing removal, replacement bearing installation and longer shaft service life.



Shaft Tolerance Comparison

Shaft diameters for **Max Mount** bearings should be held to the following regular commercial tolerances:

SHAFT DIAMETERS	RECOMMENDED TOLERANCE
1 $\frac{3}{16}$ " through 2"	Nominal to $-.003$ "
2 $\frac{1}{16}$ " through 4"	Nominal to $-.004$ "
4 $\frac{1}{16}$ " through 5"	Nominal to $-.005$ "

Shaft diameters for **Set Screw Collar-Mounted** roller bearings should be held to the following tolerances:

SHAFT DIAMETERS	RECOMMENDED TOLERANCE
1 $\frac{3}{16}$ " through 2"	Nominal to $-.0005$ "
2 $\frac{1}{16}$ " through 4"	Nominal to $-.0010$ "

The concentric mounting style of the Max Mount accounts for the difference in shafting tolerances.

Interchange Guide

Two-Bolt Pillow Blocks

SHAFT SIZE	LINK-BELT SINGLE COLLAR	LINK-BELT DOUBLE COLLAR	LINK-BELT MAX MOUNT	DODGE PART NO.	DODGE DESCRIPTION	BROWNING
1 ⁷ / ₁₆	EPB22423H	EPB22523H	EPB22623H	023003	P2B-E-107R	PBE920 X 1 ⁷ / ₁₆
1 ¹ / ₂	EPB224B24H	N/A	N/A	023004	P2B-E-108R	PBE920 X 1 ¹ / ₂
1 ⁵ / ₈	EPB22426H	N/A	N/A	023005	P2B-E-110R	N/A
1 ¹¹ / ₁₆	EPB22427H	EPB22527H	N/A	023006	P2B-E-111R	PBE920 X 1 ¹¹ / ₁₆
1 ³ / ₄	EPB224B28H	N/A	N/A	023007	P2B-E-112R	PBE920 X 1 ³ / ₄
1 ¹⁵ / ₁₆	EPB22431H	EPB22531H	EPB22631H	023009	P2B-E-115R	PBE920 X 1 ¹⁵ / ₁₆
2	EPB22432H	N/A	N/A	023010	P2B-E-200R	PBE920 X 2
2 ³ / ₁₆	EPB22435H	EPB22535H	EPB22635H	023011	P2B-E-203R	PBE920 X 2 ³ / ₁₆
2 ¹ / ₄	EPB224B36H	N/A	N/A	023012	P2B-E-204R	PBE920 X 2 ¹ / ₄
2 ⁷ / ₁₆	EPB22439H	EPB22539H	EPB22639H	023013	P2B-E-207R	PBE920 X 2 ⁷ / ₁₆
2 ¹ / ₂	EPB22440H	N/A	N/A	023014	P2B-E-208R	PBE920 X 2 ¹ / ₂
2 ¹¹ / ₁₆	EPB22443H	EPB22543H	EPB22643H	023015	P2B-E-211R	PBE920 X 2 ¹¹ / ₁₆
2 ³ / ₄	EPB22444H	N/A	N/A	023016	P2B-E-212R	PBE920 X 2 ³ / ₄
2 ¹⁵ / ₁₆	EPB22447H	EPB22547H	EPB22647H	023017	P2B-E-215R	PBE920 X 2 ¹⁵ / ₁₆
3	EPB22448H	N/A	N/A	023018	P2B-E-300R	PBE920 X 3
3 ³ / ₁₆	EPB22451H	N/A	N/A	023019	P2B-E-303R	PBE920 X 3 ³ / ₁₆
3 ⁷ / ₁₆	EPB22455H	EPB22555H	EPB22655H	023021	P2B-E-307R	PBE920 X 3 ⁷ / ₁₆
3 ¹ / ₂	EPB22456H	N/A	N/A	023022	P2B-E-308R	PBE920 X 3 ¹ / ₂

Four-Bolt Pillow Blocks

SHAFT SIZE	LINK-BELT SINGLE COLLAR	LINK-BELT DOUBLE COLLAR	LINK-BELT MAX MOUNT	DODGE PART NO.	DODGE DESCRIPTION	BROWNING
2 ¹ / ₄	EPB224B36FH	N/A	N/A	023023	P4B-E-204R	N/A
2 ⁷ / ₁₆	EPB22439FH	EPB22539FH	EPB22639FH	023024	P4B-E-207R	PBE920F X 2 ⁷ / ₁₆
2 ¹ / ₂	EPB22440FH	N/A	N/A	023025	P4B-E-208R	PBE920F X 2 ¹ / ₂
2 ¹¹ / ₁₆	EPB22443FH	EPB22543FH	EPB22643FH	023026	P4B-E-211R	PBE920F X 2 ¹¹ / ₁₆
2 ³ / ₄	EPB22444FH	N/A	N/A	023027	P4B-E-212R	N/A
2 ¹⁵ / ₁₆	EPB22447FH	EPB22547FH	EPB22647FH	023028	P4B-E-215R	PBE920F X 2 ¹⁵ / ₁₆
3	EPB22448FH	N/A	N/A	023029	P4B-E-300R	PBE920F X 3
3 ³ / ₁₆	EPB22451FH	N/A	N/A	023030	P4B-E-303R	PBE920F X 3 ³ / ₁₆
3 ⁷ / ₁₆	EPB22455FH	EPB22555FH	EPB22655FH	023032	P4B-E-307R	PBE920F X 3 ⁷ / ₁₆
3 ¹ / ₂	EPB22456FH	N/A	N/A	023033	P4B-E-308R	PBE920F X 3 ¹ / ₂
3 ¹¹ / ₁₆	PB22459FH	N/A	N/A	N/A	N/A	N/A
3 ¹⁵ / ₁₆	PB22463FH	EPB22563FH	PB22663FH	023034	P4B-E-315R	PBE920F X 3 ¹⁵ / ₁₆
4	PB22464FH	EPB22564FH	N/A	023035	P4B-E-400R	PBE920F X 4
4 ³ / ₁₆	N/A	PB22567FH	N/A	N/A	N/A	N/A
4 ⁷ / ₁₆	N/A	PB22571FH	PB22671FH	023036	P4B-E-407R	PBE920F X 4 ⁷ / ₁₆
4 ¹ / ₂	N/A	PB22572FH	N/A	023037	P4B-E-408R	PBE920F X 4 ¹ / ₂
4 ¹⁵ / ₁₆	N/A	PB22579FH	PB22679FH	023038	P4B-E-415R	PBE920F X 4 ¹⁵ / ₁₆
5	N/A	PB22580FH	N/A	023039	P4B-E-500R	PBE920F X 5

Interchange Guide

Flange Blocks

SHAFT SIZE	LINK-BELT SINGLE COLLAR	LINK-BELT DOUBLE COLLAR	LINK-BELT MAX MOUNT	DODGE PART NO.	DODGE DESCRIPTION	BROWNING
1 ⁷ / ₁₆	EFRB22423H	EFB22523H	EFB22623H	023096	F4B-E-107R	FBE920 X 1 ⁷ / ₁₆
1 ¹ / ₂	EFRB224B24H	N/A	N/A	023097	F4B-E-108R	FBE920 X 1 ¹ / ₂
1 ⁵ / ₈	EFRB22426H	N/A	N/A	023098	F4B-E-110R	N/A
1 ¹¹ / ₁₆	EFRB22427H	EFB22527H	N/A	023099	F4B-E-111R	FBE920 X 1 ¹¹ / ₁₆
1 ³ / ₄	EFRB224B28H	N/A	N/A	023100	F4B-E-112R	FBE920 X 1 ³ / ₄
1 ¹⁵ / ₁₆	EFRB22431H	EFB22531H	EFB22631H	023102	F4B-E-115R	FBE920 X 1 ¹⁵ / ₁₆
2	EFRB22432H	N/A	N/A	023103	F4B-E-200R	FBE920 X 2
2 ³ / ₁₆	EFRB22435H	EFB22535H	EFB22635H	023104	F4B-E-203R	FBE920 X 2 ³ / ₁₆
2 ¹ / ₄	EFRB224B36H	N/A	N/A	023105	F4B-E-204R	N/A
2 ⁷ / ₁₆	EFRB22439H	EFB22539H	EFB22639H	023106	F4B-E-207R	FBE920 X 2 ⁷ / ₁₆
2 ¹ / ₂	EFRB22440H	N/A	N/A	023107	F4B-E-208R	FBE920 X 2 ¹ / ₂
2 ¹¹ / ₁₆	EFRB22443H	EFB22543H	EFB22643H	023108	F4B-E-211R	FBE920 X 2 ¹¹ / ₁₆
2 ³ / ₄	EFRB22444H	N/A	N/A	023109	F4B-E-212R	FBE920 X 2 ³ / ₄
2 ¹⁵ / ₁₆	EFRB22447H	EFB22547H	EFB22647H	023110	F4B-E-215R	FBE920 X 2 ¹⁵ / ₁₆
3	EFRB22448H	N/A	N/A	023111	F4B-E-300R	FBE920 X 3
3 ³ / ₁₆	EFRB22451H	N/A	N/A	023112	F4B-E-303R	FBE920 X 3 ³ / ₁₆
3 ⁷ / ₁₆	EFRB22455H	EFB22555H	EFB22655H	023114	F4B-E-307R	FBE920 X 3 ⁷ / ₁₆
3 ¹ / ₂	EFRB22456H	N/A	N/A	023115	F4B-E-308R	FBE920 X 3 ¹ / ₂
3 ¹¹ / ₁₆	EFRB22459FH	N/A	N/A	N/A	N/A	N/A
3 ¹⁵ / ₁₆	EFRB22463FH	EFB22563H	EFB22663H	023116	F4B-E-315R	FBE920 X 3 ¹⁵ / ₁₆
4	EFRB22464FH	EFB22564H	N/A	023117	F4B-E-400R	FBE920 X 4

Piloted Flange Cartridge Blocks

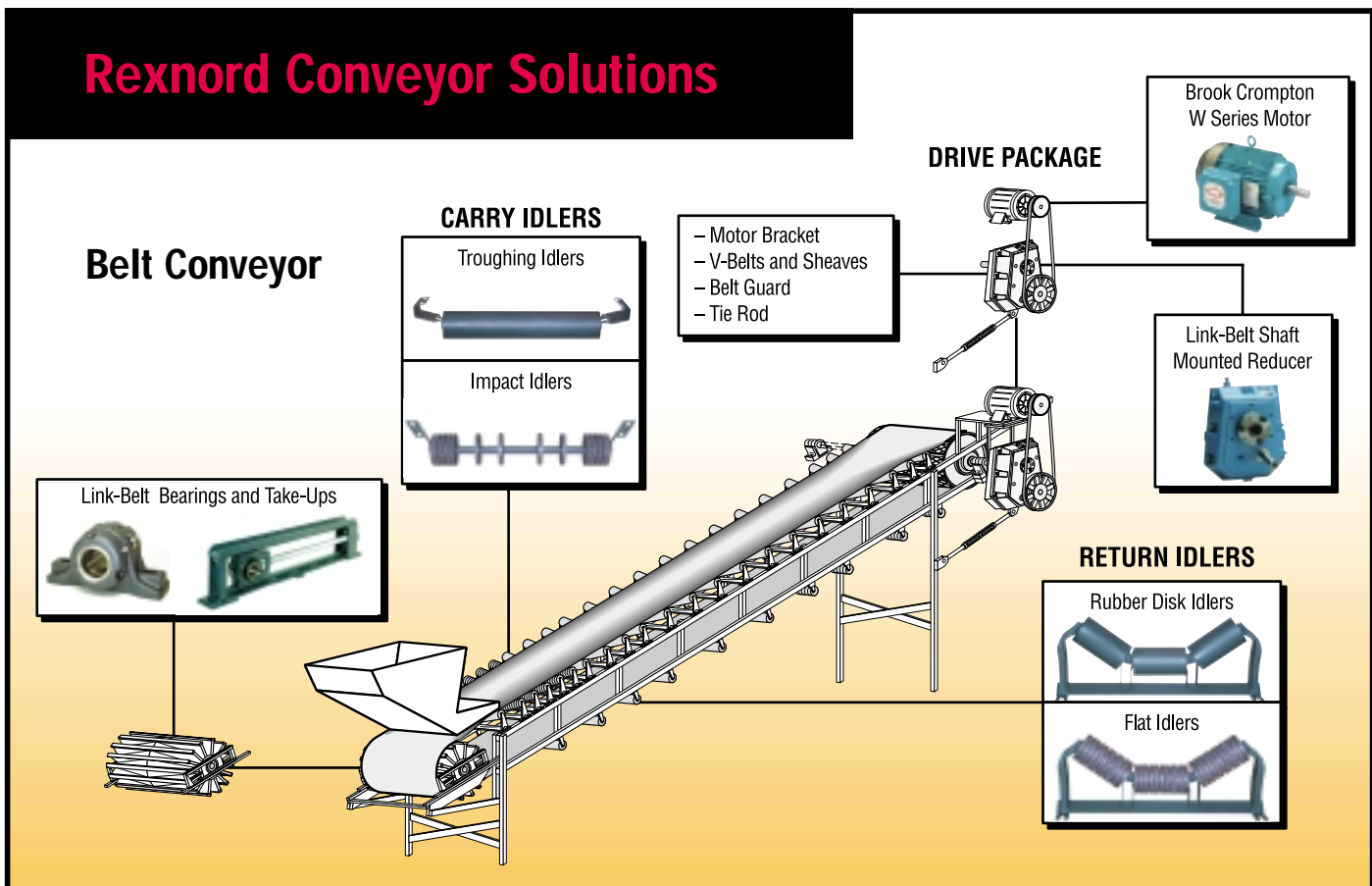
SHAFT SIZE	LINK-BELT SINGLE COLLAR	LINK-BELT DOUBLE COLLAR	LINK-BELT MAX MOUNT	DODGE PART NO.	DODGE DESCRIPTION	BROWNING
1 ⁷ / ₁₆	FCB22423H	N/A	FCB22623H	023123	FC-E-107R	SFC1000NE X 1 ⁷ / ₁₆
1 ¹ / ₂	FCB22424H	N/A	N/A	023124	FC-E-108R	SFC1000NE X 1 ¹ / ₂
1 ⁵ / ₈	FCB22426H	N/A	N/A	023125	FC-E-110R	N/A
1 ¹¹ / ₁₆	FCB22427H	N/A	N/A	023126	FC-E-111R	SFC1000NE X 1 ¹¹ / ₁₆
1 ³ / ₄	FCB22428H	N/A	N/A	023127	FC-E-112R	SFC1000NE X 1 ³ / ₄
1 ¹⁵ / ₁₆	FCB22431H	N/A	FCB22631H	023129	FC-E-115R	SFC1000NE X 1 ¹⁵ / ₁₆
2	FCB22432H	N/A	N/A	023130	FC-E-200R	SFC1000NE X 2
2 ³ / ₁₆	FCB22435H	N/A	FCB22635H	023131	FC-E-203R	SFC1000NE X 2 ³ / ₁₆
2 ¹ / ₄	FCB22436H	N/A	N/A	023132	FC-E-204R	N/A
2 ⁷ / ₁₆	FCB22439H	N/A	FCB22639H	023133	FC-E-207R	SFC1000NE X 2 ⁷ / ₁₆
2 ¹ / ₂	FCB22440H	N/A	N/A	023134	FC-E-208R	SFC1000NE X 2 ¹ / ₂
2 ¹¹ / ₁₆	FCB22443H	N/A	FCB22643H	023135	FC-E-211R	SFC1000NE X 2 ¹¹ / ₁₆
2 ³ / ₄	FCB22444H	N/A	N/A	023136	FC-E-212R	SFC1000NE X 2 ³ / ₄
2 ¹⁵ / ₁₆	FCB22447H	N/A	FCB22647H	023137	FC-E-215R	SFC1000NE X 2 ¹⁵ / ₁₆
3	FCB22448H	N/A	N/A	023138	FC-E-300R	SFC1000NE X 3
3 ³ / ₁₆	FCB22451H	N/A	N/A	023139	FC-E-303R	SFC1000NE X 3 ³ / ₁₆
3 ⁷ / ₁₆	FCB22455H	N/A	FCB22655H	023141	FC-E-307R	SFC1000NE X 3 ⁷ / ₁₆
3 ¹ / ₂	FCB22456H	N/A	N/A	023142	FC-E-308R	SFC1000NE X 3 ¹ / ₂
3 ¹¹ / ₁₆	FCB22459H	N/A	N/A	N/A	N/A	SFC1000NE X 3 ¹¹ / ₁₆
3 ¹⁵ / ₁₆	FCB22463H	N/A	FCB22663H	023143	FC-E-315R	SFC1000NE X 3 ¹⁵ / ₁₆
4	FCB22464H	N/A	N/A	023144	FC-E-400R	SFC1000NE X 4

Interchange Guide

Take-Up Blocks

SHAFT SIZE	LINK-BELT SINGLE COLLAR	LINK-BELT DOUBLE COLLAR	LINK-BELT MAX MOUNT	DODGE PART NO.	DODGE DESCRIPTION	BROWNING
1 ⁷ / ₁₆	TB22423H	N/A	TB22623H	023077	WSTU-E-107R	TUE920 X 1 ⁷ / ₁₆
1 ¹ / ₂	TB22424H	N/A	N/A	023078	WSTU-E-108R	TUE920 X 1 ¹ / ₂
1 ⁵ / ₈	TB22426H	N/A	N/A	023079	WSTU-E-110R	N/A
1 ¹¹ / ₁₆	TB22427H	N/A	N/A	023080	WSTU-E-111R	TUE920 X 1 ¹¹ / ₁₆
1 ³ / ₄	TB22428H	N/A	N/A	023081	WSTU-E-112R	TUE920 X 1 ³ / ₄
1 ¹⁵ / ₁₆	TB22431H	N/A	TB22631H	023083	WSTU-E-115R	TUE920 X 1 ¹⁵ / ₁₆
2	TB22432H	N/A	N/A	023084	WSTU-E-200R	TUE920 X 2
2 ³ / ₁₆	TB22435H	N/A	TB22635H	023085	WSTU-E-203R	TUE920 X 2 ³ / ₁₆
2 ¹ / ₄	TB22436H	N/A	N/A	023086	WSTU-E-204R	N/A
2 ⁷ / ₁₆	TB22439H	N/A	TB22639H	023087	WSTU-E-207R	TUE920 X 2 ⁷ / ₁₆
2 ¹ / ₂	TB22440H	N/A	N/A	023088	WSTU-E-208R	N/A
2 ¹¹ / ₁₆	TB22443H	N/A	TB22643H	023089	WSTU-E-211R	N/A
2 ³ / ₄	TB22444H	N/A	N/A	023090	WSTU-E-212R	N/A
2 ¹⁵ / ₁₆	TB22447H	N/A	TB22647H	023091	WSTU-E-215R	TUE920 X 2 ¹⁵ / ₁₆
3	TB22448H	N/A	N/A	023092	WSTU-E-300R	N/A
3 ³ / ₁₆	N/A	N/A	N/A	N/A	N/A	N/A
3 ⁷ / ₁₆	TB22455H	N/A	TB22655H	N/A	N/A	TUE920 X 3 ⁷ / ₁₆
3 ¹ / ₂	TB22456H	N/A	N/A	N/A	N/A	N/A
3 ¹¹ / ₁₆	N/A	N/A	N/A	N/A	N/A	N/A
3 ¹⁵ / ₁₆	TB22463H	N/A	TB22663H	N/A	N/A	TUE920 X 3 ¹⁵ / ₁₆
4	TB22464H	N/A	N/A	N/A	N/A	N/A

Rexnord Conveyor Solutions





Worldwide Service Locations

AUSTRALIA

Rexnord Australia Pty Ltd
40 Marigold St
Revesby, N.S.W. 2212
Australia
Tel: 61-2-9773-0575
Fax: 61-2-9774-5514

BRAZIL

Rexnord Correntes Ltda
Caixa Postal, 290
93001 Sao Leopoldo – RS
Brazil
Tel: 55-51-588-3000
Fax: 55-51-588-1334

CANADA

Rexnord Canada Ltd.
81 Maybrook Dr
Scarborough, Ontario
M1V 3Z2
Tel: 416-297-6868
Fax: 416-297-6873

CHINA

Rexnord China
Conch Building, Ste 621
1271 Zhongshan Xi Rd.
Shanghai, China 200051
Tel: 86-21-62701942
Fax: 86-21-62701943

EUROPE

Rexnord Belgium NV
Airport Ring Center
Maalbeekweg 17
1930 Zaventem
Belgium
Tel: 32-2-725-4060
Fax: 32-2-720-1023

LATIN AMERICA

Rexnord International Inc
4695 W. Greenfield Ave
Milwaukee, WI 53214 USA
Tel: 414-643-2242
Fax: 414-643-3666

MEXICO

Cadenas y Componentes
Rexnord SA de CV
Privada de los
Industriales 115
Cd. Industrial Benito Juarez
Zona Jurica
76100 Queretaro Qro
Tel: 52-42-18-50-00
Fax: 52-42-18-10-90

SINGAPORE

Rexnord International Inc.
36 Purvis St
Talib Center #02-01/04
Singapore 188613
Tel: 65-338-5622
Fax: 65-338-5422

UNITED STATES

Atlanta

2300 Lake Park Dr
#150
Smyrna, GA 30080
Tel: 770-431-7200
Fax: 770-431-7299

Columbus

3655 Brookham Dr
Ste J
Grove City, OH 43123
Tel: 614-675-1800
Fax: 614-675-1898

Dallas

1217 Corporate Dr W
Arlington, TX 76006
Tel: 817-640-3332
Fax: 817-640-8704

Fresno

1080 W Sierra Ave
Ste 102
Fresno, CA 93711
Tel: 559-435-1111
Fax: 559-439-6887



Rexnord Corporation
Link-Belt Bearing Division
7601 Rockville Rd.
Indianapolis, IN 46214
PH: 317/273-5500
FAX: 317/273-5620
www.rexnord.com

