

# TIMKEN

Where You Turn

Timken® 1990 and Newer  
Bearing and Seal  
Application Catalog  
For Automotive and Light Truck

Catalog number: 7564  
Effective date: 2006

Supersedes: BSAC 2004  
(1990 and Newer Catalog)



**BSAC 2006**  
**FEATURING AN EXPANDED**  
**HUB TECHNOLOGY SECTION**

# BEARING AND SEAL APPLICATION CATALOG

1990 and Newer

## INTRODUCTION

*Original equipment quality is what you get with every aftermarket bearing, seal and hub unit sold by Timken. Vehicle manufacturers from around the world choose the Timken name because of its reputation for quality. You too can choose Timken with the same confidence vehicle manufacturers have had for more than a century.*

*Use this catalog as a complete reference for a full-line of Timken automotive aftermarket parts. An expanded listing of hub units is included in this edition.*

*As a leader in hub technology for Original Equipment manufacturers, The Timken Company is also a leader in the automotive aftermarket for this product line.*

*If you have comments on the 2006 BSAC 1990 and Newer, please complete the postage paid card found in the back of this catalog or send an e-mail to [auto-am@timken.com](mailto:auto-am@timken.com).*

The information referenced is deemed reliable but not guaranteed. Every effort has been made to ensure that the data in this catalog is correct. However, we cannot assume responsibility for possible error.

## Bearings

- Timken® Fafnir® Ball Bearings
- Clutch Release Bearings
- Timken® Torrington® Cylindrical Bearings
- Timken® Torrington® Cylindrical Axle Repair Bearings
- Driveline Center Support Bearings
- Timken® Torrington® Needle Bearings
- Tapered Bearings

## Harmonic Balancer Repair Kits

## Hub Assemblies

- ABS Hub Assemblies
- ABS Hub Assemblies with SENSOR-PAC™ Bearings
- Non-ABS Hub Assemblies
- Non-ABS Hub Assemblies with UNIPAC™ – Bearings
- Non-ABS Hub Assemblies with UNIPAC-PLUS™ – Bearings

## KWIK-Sleeves™ – Components

## Sensor Kits

## Seals

- Automotive
- Industrial
- Light Duty Oil Bath Seals
- Metric

## Specialty Kits

- DT Components® Drivetrain Products
- Differential Kits
- MileMate® Matched Wheel Bearing Sets
- Transmission Kits
- Transaxle & Transfer Case Kits
- Trailer Kits
  - Kits with Standard Bearings
  - Premium Kits with AquaSpexx™ Bearings

## TABLE OF CONTENTS

SECTION	PAGE
How to Use This Catalog	II
Warning	II
Setting the Pace for Automotive Aftermarket	III
Application Index Model to Page Number	IV-VI
Model to Manufacturer Cross Reference	VII-X
Manufacturer to Model Cross Reference	XI-XIV
Abbreviations Key	XV
<b>Applications</b>	<b>1-352</b>
<b>Hub Technology Section</b>	<b>353-424</b>
Hub Evolution Story	354-355
Cross Reference	356-361
Buyer's Guide	362-368
Diagrams and Specifications	369-385
Photos and Installation Skill Levels	386-422
Removal and Installation	423-424
Heavy Duty Bearing Torque Installation Procedure	425
Wheel Bearing Replacement	426
Seal and Shaft Installation Procedures	427-428
Rear Wheel Repair Package Bearings	429-430
Trailer Wheel Bearing and AquaSpexx™ Bearing Kits	431-432
MileMate® Matched Wheel Bearing Sets	433-434
Driveline Center Support Bearings	435
Superseded & Obsolete Part Numbers	436
Timken Set Interchange/Components	Inside Back Cover

## HOW TO USE THIS CATALOG

See the Application Index Model to Page Number beginning on page IV, to find the page number of your vehicle. Consolidated application sections for some transmission/transaxles, generator and alternator bearings are also listed.

Determine the make, model and year of the vehicle.

- Year of customer's vehicle can be found in the Vehicle Identification Number on the dash, looking through the windshield, or on the doorjamb.
- Engine size can be found on the decal under the hood, or use the eighth digit from the left of the V.I.N. to determine engine size.

- The type of braking system (ABS or non-ABS, front or 4-wheel) can be found through actual inspection of the system, or in the case of General Motors, the line card located in the trunk or the glove box will contain the actual brake codes.

Vehicles are arranged alphabetically by make and model. Once the page is located, listings are in this order; front wheel, rear wheel, clutch release, differential kit (if available), differential and pinion.

- Quantities needed to do a complete repair are contained in brackets, if different from model applications\*.

\* For example, Front Wheel Bearings normally require a quantity of two.

## WARNING

Failure to observe the following warnings could lead to a risk of serious bodily harm.

The products catalogued are application specific. Any use in applications other than those intended could lead to equipment failure or to reduced equipment life. Proper maintenance and handling practices are critical.

Follow the equipment manufacturer's installation instructions. Failure to follow installation instructions and to maintain proper lubrication can cause equipment failure, creating a risk of serious bodily harm.

Never spin a bearing with compressed air. The components may be forcefully expelled, creating a risk of bodily harm.

Every possible effort has been made to ensure the data in the catalog is correct, but we cannot assume responsibility should there be an error.



## SETTING THE PACE FOR AUTOMOTIVE AFTERMARKET

### **Timken Where You Turn**

The Timken Company recently launched a new tag line - Where You Turn. While the association with our company's primary product line of bearings is obvious, the new tag line represents our commitment to be the company that customers turn to for friction management and power transmission expertise.

Timken is indeed where customers turn for Original Equipment replacement bearings and seals, but it is also where customers turn for innovation, quality and leading-edge technology.

# *Quality In:*

## MANUFACTURING

The combination of Timken and Torrington expands our product line and our competitive advantage. With nearly 70 manufacturing plants, we continue to offer products that extend beyond the bearing itself to the environment around the bearing.

## HUBS

Original Equipment market strengths are transferred to our aftermarket hub bearing assemblies, offering customers a complete line of quality replacement parts including SENSOR-PAC™, UNIPAC™ and UNIPAC-PLUS™. Timken hub bearing assemblies are pre-set, pre-greased and pre-sealed, which makes installation easier.

## SEALS

While Timken is known for its top-quality bearings, the company also has an impressive history of designing top-quality seals. Integral to bearing performance, Timken is proud of its numerous patented seals, which are made in some of the world's most advanced manufacturing plants.

## STEEL

Since 1916, Timken® has led the industry in supplying innovative steel solutions. Producing over 400 different grades, Timken is a leader in material specialization. The synergy between our bearing and steel businesses gives us a unique understanding of our customers' needs and allows us to tailor every production heat to exact specifications. As a result, our engineers help solve some of the automotive industry's toughest steel challenges.

## TECHNOLOGY

When people think of Timken, they often think of advanced technology and innovation. There are understandable reasons for that. With an annual budget approaching \$60 million in new product development, the Timken engineers and scientists at our research and development centers continue to develop new bearing technologies. In fact, last year, our research and development efforts produced more than 1,000 prototypes for customers.

# *Quality*

**APPLICATION INDEX MODEL TO PAGE NUMBER**

<b>Acura</b>		<b>Cadillac rear drive</b>		<b>Chevrolet/GMC 1-1/2, - 2-1/2, ton trucks</b>	
Integra, Legend, NSX, RSX, Vigor, 2.2CL, 2.3CL, 2.5TL, 3.0CL, 3.2CL, 3.2TL, 3.5RL .....1		Fleetwood .....37		40, 50, 60, 70, 4100, 4400, 4500 .....86	
<b>Acura truck - SUV</b>		Catera .....39		<b>Chrysler front drive</b>	
MDX, SLX .....6		CTS .....39		Cirrus, Sebring .....92	
<b>Alfa Romeo</b>		STS .....39		300M, Concorde, Imperial, LeBaron, LHS, New Yorker .....94	
Spider, 164 .....7		XLR .....40		<b>Chrysler rear drive</b>	
<b>Aston Martin</b> .....8		<b>Cadillac truck</b>		Crossfire .....96	
<b>Audi</b>		Escalade .....40		Prowler (see also Plymouth).....96	
A4, A6, A8, Cabriolet, S8, TT, V8 Quattro .....9		SRX.....41		300 .....96	
Coupe Quattro .....11		<b>Chevrolet front drive</b>		<b>Chrysler truck and van (see also Plymouth)</b>	
S4, S6, RS6 .....12		Aveo .....42		Pacifica .....97	
80s, 90s, 100s, 200s.....14		Beretta, Cavalier, Corsica .....42		PT Cruiser.....97	
<b>Audi truck - SUV</b>		Celebrity .....44		Town & Country Van, Voyager from 2001 .....98	
Allroad Quattro .....17		Cobalt .....45		<b>Dacia</b> .....100	
<b>Avanti II</b> .....17		Impala, Lumina, Monte Carlo .....45		<b>Daewoo</b>	
<b>Bentley (see also Rolls Royce)</b>		Malibu, Fleet Classic.....47		Lanos, Leganza, Nubira .....100	
Continental, Eight, Turbo R.....18		<b>Chevrolet rear drive</b>		<b>Daihatsu</b>	
<b>BMW</b>		Caprice (pre 94), Impala (pre 94) .....47		Charade .....101	
3 series .....18		Camaro, IROC, SS, Z-28 .....49		<b>Daihatsu truck</b>	
4 series .....20		Caprice, Impala.....51		Rocky .....101	
5 series .....21		Corvette .....51		<b>Dodge front drive</b>	
7 series .....22		<b>Chevrolet imports (see also GEO)</b>		Daytona, Dynasty, Shadow, Spirit .....102	
8 series .....24		Metro, Prizm, Sprint.....53		Avenger.....103	
<b>BMW truck</b>		<b>Chevrolet imports truck</b>		Omni .....105	
X3, X5 .....24		Tracker.....54		Intrepid .....106	
<b>Buick front drive</b>		<b>Chevrolet/GMC light trucks</b>		Monaco .....106	
Century .....25		Astro/Safari.....56		Neon .....107	
Electra, Electra Park Avenue, LeSabre, Park Avenue .....26		Colorado/Canyon .....58		Stratus.....108	
LaCrosse.....27		Trailblazer/Envoy .....58		<b>Dodge rear drive</b>	
Regal.....28		Equinox .....59		Charger, Magnum .....109	
Riviera, Reatta .....29		HHR .....59		Viper .....110	
Skylark .....29		S10 Blazer/S15 Jimmy, S10/S15 P/U, Sonoma, Syclone/Typhoon .....61		<b>Dodge import (see also Mitsubishi)</b>	
<b>Buick rear drive</b>		SSR.....64		Colt, Stealth .....111	
Estate Wagon .....30		Uplander .....64		<b>Dodge minivan</b>	
Roadmaster .....31		<b>Chevrolet minivan</b>		Caravan, Grand Caravan .....113	
<b>Buick minivan</b>		Lumina APV, Venture .....60		<b>Dodge light truck</b>	
Terraza .....32		<b>Chevrolet/GMC 1/2 ton trucks</b>		Ram 50 .....116	
<b>Buick truck</b>		Avalanche .....65		<b>Dodge 1/2 ton trucks</b>	
Rainier.....32		Blazer/Jimmy, C-10/15, K-10/15, Silverado/ Sierra, Silverado/Sierra HD, Suburban, Tahoe/Yukon .....66		B150, B1500 VANS, D150 PICKUP, Dakota, Durango, Ram 1500 PICKUP, Ram 1500 VAN, Ramcharger, W150 Pickup.....117	
Rendezvous .....33		G10/G15, Express/Savana.....70		<b>Dodge 3/4 ton trucks</b>	
<b>Cadillac front drive</b>		<b>Chevrolet/GMC 3/4 ton trucks</b>		Pickup, Van, 250 Series, 2500 Series, Sprinter 2500 .....123	
Allante .....34		Avalanche .....72		<b>Dodge 1 ton trucks</b>	
DeVille, Fleetwood .....34		C-20/25, K-20/25, Silverado/Sierra, Suburban, Silverado 2500 HD, V-20/25, Yukon XL 2500 .....73		Motor Home, Pickup, Van, 350 Series, 3500 Series, Sprinter 2500 .....128	
Eldorado .....35		G20/G25, Express/Savana.....77			
Seville .....36		<b>Chevrolet/GMC 1 ton trucks</b>			
		C-30/35, K-30/35, Silverado/Sierra .....79			
		G30/G35, P30/P35, Express/Savana.....84			

## APPLICATION INDEX MODEL TO PAGE NUMBER *continued*

<b>Eagle</b> Premier, Summit, Talon, Vision, Vista 2000 GTX .....133	<b>Geo import trucks</b> Tracker .....184	<b>Isuzu truck and minivan</b> Amigo, Ascender, Axiom, Hombre, Oasis, P'up, Pickup, Rodeo, Trooper, Trooper II, VehiCROSS .....213
<b>Ferrari</b> .....137	<b>GMC Truck</b> 400, 4000, 4500 (Class 4), 500, 5000, 5500 (Class 5), 6000, 6500 (Class 6), 7000, 7500 (Class 7) .....184	<b>Isuzu medium truck</b> EVR, FRR, FSR, FTR, FVR, NRR .....218
<b>Ford front drive</b> Contour .....138 Escort .....139 Five Hundred .....140 Focus .....140 Probe .....140 Taurus .....142	<b>Grumman</b> Postal Vehicle .....189	<b>Iveco light truck</b> .....219
<b>Ford front drive - AWD</b> Five Hundred .....144 Tempo .....144	<b>Hino truck</b> FA, FB Series .....190 FD, FE, FF, FG, GC, SF, SG Series .....190	<b>Iveco medium truck</b> .....219
<b>Ford rear drive</b> Country Squire, Crown Victoria .....146 Mustang .....147 Thunderbird.....150	<b>Honda</b> Accord.....190 Civic .....192 CRX .....194 Del Sol .....195 Insight .....196 Prelude .....196 S2000 .....197	<b>Jaguar</b> .....219
<b>Ford import</b> Aspire .....151 Festiva.....152	<b>Honda truck and minivan</b> CR-V .....197 Element.....198 Odyssey .....199 Passport .....200 Pilot.....201	<b>Jeep truck</b> Liberty .....220 Cherokee, Grand Cherokee .....221 Sahara, TJ, Wrangler .....225 Wagoneer series.....228 Comanche .....230
<b>Ford light trucks</b> Bronco II, Explorer, Ranger .....153 Escape .....157	<b>Hummer</b> Hummer, Humvee, H1, H2 .....201 H3 .....203	<b>Kia</b> Amanti, Optima, Rio, Sedona, Sephia, Sorento, Spectra, Sportage.....233
<b>Ford minivan</b> Aerostar .....153 Freestar, Windstar.....158	<b>Hyundai</b> Accent, Elantra, Excel, SCoupe, Sonata, Tiburon, XG300, XG350 .....203	<b>Lada</b> .....235
<b>Ford full size trucks</b> Bronco .....159 Excursion .....161 Expedition .....162	<b>Hyundai truck</b> Sante Fe .....206	<b>Laforza</b> .....236
<b>Ford 1/2 ton trucks</b> Econoline, E150, F150, Parcel Delivery, Pickup .....163	<b>Infiniti front drive</b> G20, I30, I35 .....206	<b>Lamborghini</b> .....236
<b>Ford 3/4 ton trucks</b> Econoline, E250, F250, Parcel Delivery, Pickup .....167	<b>Infiniti rear drive</b> G35, J30, M45, Q45 .....197	<b>Lexus front drive</b> ES250, ES300, ES330 .....236
<b>Ford 1 ton trucks</b> Econoline, E350, F350, Motor Home, Parcel Delivery, Pickup .....173	<b>Infiniti truck</b> FX35, FX45.....209 QX4 .....209 QX56.....210	<b>Lexus rear drive</b> GS300, GS400, GS430, IS300, LS400, LS430, SC300, SC400, SC430 .....237
<b>Ford 1-1/2 - 2 1/2 ton trucks</b> Motor Home Chassis, Parcel Delivery, Pickup, 450, 550, 600, 700 Series .....178	<b>International truck</b> 1/2, 3/4, 1, 1-1/2, 2 TON - All models - by axle designation .....210	<b>Lexus truck</b> GX470, LX450, LX470, RX300, RX300 AWD, RX330.....238
<b>Fuso truck</b> .....181	<b>Isotta Fraschini</b> .....210	<b>Lincoln front drive</b> Continental .....240
<b>Geo (see also Chevrolet)</b> Metro, Prizm, Storm .....182	<b>Isuzu</b> Impulse, Impulse AWD, Stylus .....211	<b>Lincoln rear drive</b> LS, Mark Series, Town Car .....241
		<b>Lincoln truck</b> Aviator, Blackwood, Navigator .....242
		<b>Mack truck</b> .....244
		<b>Maserati</b> .....244
		<b>Mazda front drive</b> Mazda3, Mazda6, Millenia, MX3, MX6, Protégé, Protégé AWD, 323, 323 AWD, 626 .....245
		<b>Mazda rear drive</b> MX5 Miata, RX7, 929 .....248

**APPLICATION INDEX MODEL TO PAGE NUMBER** *continued*

<b>Mazda truck</b> B2200, B2300, B2500, B2600, B3000, B4000, MPV, Navajo, Tribute.....250	Intrigue .....287 Tornado, Tornado Trofeo .....287	Range Rover.....317
<b>Mercedes Benz</b> .....254	<b>Oldsmobile rear drive</b> Cruiser Wagon .....288	<b>SAAB</b> 9-3, 9-5, 900, 9000 .....317
<b>Mercedes Benz truck</b> L, LP, LS, Series .....257	<b>Oldsmobile truck and minivan</b> Bravada.....289 Silhouette .....291	<b>Saturn</b> Ion, LS, LW, SC, SC1, SC2, SL, SL1, SL2, SW1, SW2 .....319
<b>Mercury front drive</b> Capri .....257 Cougar .....258 Mystique .....259 Sable .....259 Tracer .....260	<b>Peugeot</b> .....291	<b>Saturn truck</b> Relay .....320 Vue .....320
<b>Mercury front drive - AWD</b> Montego .....262 Topaz.....262	<b>Plymouth front drive</b> Acclaim, Sundance.....292 Breeze.....293 Horizon .....294 Neon .....295	<b>Scion</b> xA, Xb, tC .....320
<b>Mercury rear drive</b> Colony Park, Grand Marquis, Marauder.....263 Cougar .....264	<b>Plymouth rear drive</b> Prowler (see also Chrysler) .....296	<b>Sterling</b> .....321
<b>Mercury truck</b> Mariner .....265 Mountaineer .....266	<b>Plymouth import (see also Mitsubishi)</b> Colt, Laser.....297	<b>Subaru</b> Impreza, Justy, Legacy, Loyale, Outback, SVX, XT.....322
<b>Mercury minivan</b> Monterey.....267 Villager .....268	<b>Plymouth truck and minivan</b> Grand Voyager, Voyager - 2001 See Chrysler Section .....300	<b>Subaru truck</b> Baja, Forrester .....324
<b>Merkur</b> .....268	<b>Pontiac front drive</b> Bonneville .....302 G6 .....302 Grand Am .....303 Grand Prix.....304 Sunbird .....306 Sunfire.....293	<b>Suzuki</b> Aerio, Esteem, Forenza, Forsa, Swift, Verona.....325
<b>Mitsubishi front drive</b> Diamante, Eclipse, Eclipse AWD, Expo, Expo AWD, Galant, Galant AWD, Galant Sigma, Mirage, Precis, 3000GT, 3000GT AWD .....268	<b>Pontiac front drive - AWD</b> 6000 .....308 Vibe.....309	<b>Suzuki truck</b> Grand Vitara, Samurai, Sidekick, Vitara, X90, XL7 .....327
<b>Mitsubishi truck and minivan</b> Endeavor, Mighty Max, Montero, Montero Sport, Outlander, VanWagon.....271	<b>Pontiac rear drive</b> GTO .....309 Firebird, Formula, Trans-Am, GTA .....309	<b>Toyota front drive</b> Avalon, Camry, Camry AWD, Celica, Celica AWD, Corolla, Corolla AWD, Corolla FX, Echo, Matrix, Paseo, Prius, Tercel, Tercel Wagon 4WD .....330
<b>Nissan front drive</b> Altima, Axxess, Maxima, NX, Pulsar, Sentra, Sentra AWD, Stanza, Stanza AWD 200SX .....274	<b>Pontiac import</b> Firefly (Canada), Optima, Sunburst .....311 LeMans .....312	<b>Toyota rear drive</b> Cressida, MR2, Supra .....335
<b>Nissan rear drive</b> 240SX, 300ZX, 350Z .....277	<b>Pontiac truck</b> Aztek .....313	<b>Toyota truck and minivan</b> Highlander, Highlander AWD, Landcruiser, Pickup, Previa, RAV4, RAV4 4WD, Sequoia, Sienna, Tacoma, Tundra, T100, 4Runner.....337
<b>Nissan truck and minivan</b> Armada, Frontier, Hardbody, Murano, Pathfinder, Quest, Titan, Xterra .....279	<b>Pontiac truck and minivan</b> Montana, Trans Sport .....313 Montana SV6 .....314	<b>UD Truck</b> .....343
<b>Oldsmobile front drive</b> Achieva, Alero .....283 Aurora .....285 Cutlass Ciera, Cutlass Cruiser .....285 Eighty-Eight's, Ninety-Eight's, Touring Sedan.....286	<b>Porsche</b> .....314	<b>Volkswagen</b> Cabrio, Cabriolet, Corrado, Fox, Golf, GTI, Jetta, New Beetle, Passat .....344
	<b>Rolls Royce</b> .....316	<b>Volkswagen type II</b> EuroVan, Vanagon .....347
	<b>Rover truck</b> Defender 90, Defender 110, Discovery, LR3,	<b>Volvo</b> .....348
		<b>Volvo truck</b> FE Series .....350
		<b>Yugo</b> .....352



## MODEL TO MANUFACTURER CROSS REFERENCE

Model	Manufacturer	Page	Model	Manufacturer	Page	Model	Manufacturer	Page
100	Audi	14	735iL	BMW	22	Aviator	Lincoln	242
101	Audi	14	740	Volvo	348	Axiom	Isuzu	213
102	Audi	14	740i	BMW	22	Axxess	Nissan	274
103	Audi	14	740iL	BMW	22	Aztek	Pontiac	313
104	Audi	14	745i	BMW	22	B150	Dodge	118
105	Audi	14	745Li	BMW	22	B1500	Dodge	118
106	Audi	14	750iL	BMW	22	B2200	Mazda	250
107	Audi	14	760	Volvo	348	B2300	Mazda	250
164	Alfa Romeo	7	760Li	BMW	22	B250	Dodge	123
190E	Mercedes-Benz	254	780	Volvo	348	B2500	Dodge	123
2000 GTX	Eagle	133	827	Sterling	321	B2500	Mazda	250
200SX	Nissan	274	840Ci	BMW	24	B2600	Mazda	250
228i	Maserati	244	850	Volvo	348	B3000	Mazda	250
240	Volvo	348	850Ci	BMW	24	B350	Dodge	128
240SX	Nissan	277	850CSi	BMW	24	B3500	Dodge	128
3	Mazda	245	850i	BMW	24	B4000	Mazda	250
300	Chrysler	97	88	Oldsmobile	286	Baja	Subaru	324
300 Ser.	Mercedes-Benz	254	900	Saab	317	Beetle	Volkswagen	344
3000GT	Mitsubishi	268	9000	Saab	317	Beretta	Chevrolet	42
300M	Chrysler	94	9000	Saab	317	Blackwood	Lincoln	242
300ZX	Nissan	277	911	Porsche	314	Blazer	Chevrolet	65
318i	BMW	18	928	Porsche	314	Bonneville	Pontiac	302
318is	BMW	18	928	Porsche	314	Boxster	Porsche	314
318ti	BMW	18	929	Mazda	248	Bravada	Oldsmobile	289
323	Mazda	245	9-3	Saab	317	Breeze	Plymouth	293
323Ci	BMW	18	940	Volvo	348	Bronco	Ford	159
323i	BMW	18	944	Porsche	314	Bronco II	Ford	153
323is	BMW	18	944	Porsche	314	C1500	Chevrolet	65
325Ci	BMW	18	9-5	Saab	317	C1500	GMC	65
325i	BMW	18	960	Volvo	348	C1500 Suburban	Chevrolet	65
325is	BMW	18	968	Porsche	314	C1500 Suburban	GMC	65
325iX	BMW	18	A4	Audi	9	C220	Mercedes-Benz	254
325xi	BMW	18	A4 Quattro	Audi	9	C230	Mercedes-Benz	254
328Ci	BMW	18	A6	Audi	9	C240	Mercedes-Benz	254
328i	BMW	18	A6 Quattro	Audi	9	C2500	Chevrolet	73
328is	BMW	18	A8	Audi	9	C2500	GMC	73
330Ci	BMW	18	A8 Quattro	Audi	9	C2500 Suburban	Chevrolet	73
330i	BMW	18	Accent	Hyundai	203	C2500 Suburban	GMC	73
330xi	BMW	18	Acclaim	Plymouth	292	C280	Mercedes-Benz	254
348 Coupe	Ferrari	137	Accord	Honda	190	C3500	Chevrolet	80
350Z	Nissan	277	Achieva	Oldsmobile	283	C3500	GMC	80
400 Ser.	Mercedes-Benz	254	Aerio	Suzuki	325	C70	Volvo	348
405	Peugeot	291	Aerostar	Ford	153	Cabrio	Volkswagen	344
430i	Maserati	244	Alero	Oldsmobile	283	Cabrio	Yugo	352
4Runner	Toyota	337	Allante	Cadillac	34	Cabriolet	Audi	9
500 Ser.	Mercedes-Benz	254	Allroad Quattro	Audi	17	Cabriolet	Volkswagen	344
505	Peugeot	291	Altima	Nissan	274	Camaro	Chevrolet	49
525i	BMW	21	Amanti	Kia	233	Camry	Toyota	330
528i	BMW	21	Amigo	Isuzu	213	Canyon	GMC	58
530i	BMW	21	Armada	Nissan	279	Capri	Mercury	257
535i	BMW	21	Ascender	Isuzu	213	Caprice	Chevrolet	47
540i	BMW	21	Aspire	Ford	151	Caravan	Dodge	113
540ia	BMW	21	Astro	Chevrolet	56	Carrera	Porsche	314
545i	BMW	21	Aurora	Oldsmobile	285	Catera	Cadillac	39
6	Mazda	245	Avalanche 1500	Chevrolet	65	Cavalier	Chevrolet	42
600 Ser.	Mercedes-Benz	254	Avalanche 2500	Chevrolet	72	Celebrity	Chevrolet	44
6000	Pontiac	308	Avalon	Toyota	330	Celica	Toyota	330
626	Mazda	245	Avenger	Dodge	103	Century	Buick	25
735i	BMW	22	Aveo	Chevrolet	42	Charade	Daihatsu	100

## MODEL TO MANUFACTURER CROSS REFERENCE *continued*

Model	Manufacturer	Page	Model	Manufacturer	Page	Model	Manufacturer	Page
Charger	Dodge	109	E-350 Club Wagon	Ford	173	G20	Infiniti	207
Cherokee	Jeep	221	E-350 Econoline	Ford	173	G2500	GMC	77
Cirrus	Chrysler	93	E-350 Super Duty	Ford	173	G30	Chevrolet	84
Civic	Honda	192	E-450 Econ. Super Duty	Ford	178	G35	Infiniti	209
CL	Acura	1	E-450 Super Duty	Ford	178	G3500	GMC	84
Classic	Chevrolet	47	Echo	Toyota	330	G6	Pontiac	302
Cobalt	Chevrolet	45	Eclipse	Mitsubishi	268	Galant	Mitsubishi	268
Colony Park	Mercury	263	Eight	Bentley	18	Golf	Volkswagen	344
Colorado	Chevrolet	58	Elantra	Hyundai	203	Grand Am	Pontiac	303
Colt	Dodge	111	Eldorado	Cadillac	35	Grand Caravan	Dodge	113
Colt	Plymouth	297	Electra	Buick	26	Grand Cherokee	Jeep	221
Comanche	Jeep	230	Element	Honda	198	Grand Marquis	Mercury	263
Comm. Chassis FWD	Cadillac	34	Endeavor	Mitsubishi	271	Grand Prix	Pontiac	304
Comm. Chassis RWD	Cadillac	37	Envoy	GMC	58	Grand Voyager	Chrysler	98
Concorde	Chrysler	94	Equinox	Chevrolet	59	Grand Voyager	Plymouth	300
Continental	Bentley	18	ES250	Lexus	236	Grand Wagoneer	Jeep	228
Continental	Bentley	18	ES300	Lexus	236	GrandVitara	Suzuki	327
Continental	Lincoln	240	ES330	Lexus	236	GS300	Lexus	237
Contour	Ford	138	Escalade	Cadillac	40	GS400	Lexus	237
Corniche	Rolls Royce	316	Escape	Ford	157	GS430	Lexus	237
Corolla	Toyota	330	Escort	Ford	139	GT	Ford	147
Corrado	Volkswagen	344	Esteem	Suzuki	325	GTO	Pontiac	309
Corsica	Chevrolet	42	Euro Van	Volkswagen	347	GV	Yugo	352
Corvette	Chevrolet	51	Excel	Hyundai	203	GX470	Lexus	238
Cougar	Mercury	258	Excursion	Ford	161	H1	Hummer	203
Cougar	Mercury	264	Expedition	Ford	162	H2	Hummer	203
Countach	Lamborghini	236	Explorer	Ford	153	H3	Hummer	203
Country Squire	Ford	146	Explorer Sport Trac	Ford	153	HHR	Chevrolet	59
Coupe Quattro	Audi	11	Expo	Mitsubishi	268	Highlander	Toyota	337
Cressida	Toyota	334	Express 1500	Chevrolet	70	Hombre	Isuzu	213
Crossfire	Chrysler	96	Express 2500	Chevrolet	77	Horizon	Plymouth	294
Crown Victoria	Ford	146	Express 3500	Chevrolet	84	I30	Infiniti	207
CR-V	Honda	197	F-150	Ford	163	I35	Infiniti	207
CRX	Honda	195	F-250	Ford	167	Il	Avanti	17
CTS	Cadillac	39	F-250 Super Duty	Ford	167	Impala	Chevrolet	45
Custom Cruiser	Oldsmobile	288	F-350	Ford	173	Impala	Chevrolet	47
Cutlass	Oldsmobile	283	F-350 Super Duty	Ford	173	Imperial	Chrysler	94
Cutlass Calais	Oldsmobile	283	F40	Ferrari	137	Impreza	Subaru	322
Cutlass Ciera	Oldsmobile	285	F-450 Super Duty	Ford	178	Impulse	Isuzu	211
Cutlass Supreme	Oldsmobile	283	F53	Ford	178	Insight	Honda	196
D150	Dodge	118	F-550 Super Duty	Ford	178	Integra	Acura	1
D21	Nissan	279	F59	Ford	178	Intrepid	Dodge	106
D250	Dodge	123	Festiva	Ford	152	Intrigue	Oldsmobile	287
D350	Dodge	128	Firebird	Pontiac	309	Ion	Saturn	319
Dakota	Dodge	118	Firefly	Pontiac	311	Ion	Saturn	319
Daytona	Dodge	102	Five Hundred	Ford	140	IS300	Lexus	237
Defender 110	Land Rover	317	Fleetwood	Cadillac	34	J30	Infiniti	209
Defender 90	Land Rover	317	Fleetwood	Cadillac	37	Jetta	Volkswagen	344
DeVille	Cadillac	34	Focus	Ford	140	Jimmy	GMC	60
Diamante	Mitsubishi	268	Forenza	Suzuki	325	Justy	Subaru	322
Discovery	Land Rover	317	Forester	Subaru	324	K1500	Chevrolet	65
Durango	Dodge	118	Fox	Volkswagen	344	K1500	GMC	65
Dynasty	Dodge	102	Freestar	Ford	158	K1500 Suburban	Chevrolet	65
E-150	Ford	163	Frontier	Nissan	279	K1500 Suburban	GMC	65
E-150 Club Wagon	Ford	163	FX35	Infiniti	210	K2500	Chevrolet	73
E-150 Econoline	Ford	163	FX45	Infiniti	210	K2500	GMC	73
E-250	Ford	167	G10	Chevrolet	70	K2500 Suburban	Chevrolet	73
E-250 Econoline	Ford	167	G1500	GMC	70	K2500 Suburban	GMC	73
E-350	Ford	173	G20	Chevrolet	77	K3500	Chevrolet	80

## MODEL TO MANUFACTURER CROSS REFERENCE *continued*

Model	Manufacturer	Page	Model	Manufacturer	Page	Model	Manufacturer	Page
K3500	GMC	.80	MR2	Toyota	.334	Rainier	Buick	.32
L100	Saturn	.319	Mulsanne	Bentley	.18	Ram 1500 PU	Dodge	.118
L200	Saturn	.319	Murano	Nissan	.279	Ram 1500 VAN	Dodge	.118
L300	Saturn	.319	Mustang	Ford	.147	Ram 2500 PU	Dodge	.123
L300-1	Saturn	.319	MX-3	Mazda	.245	Ram 2500 VAN	Dodge	.123
L300-2	Saturn	.319	MX-6	Mazda	.245	Ram 3500 PU	Dodge	.128
L300-3	Saturn	.319	Mystique	Mercury	.258	Ram3500 VAN	Dodge	.128
LaCrosse	Buick	.27	Navajo	Mazda	.250	Ram50	Dodge	.116
Laforza	Laforza	.236	Navigator	Lincoln	.242	Ramcharger	Dodge	.118
Lancer	Mitsubishi	.268	Neon	Dodge	.107	Range Rover	Land Rover	.317
Land Cruiser	Toyota	.337	Neon	Plymouth	.295	Ranger	Ford	.153
Lanos	Daewoo	.100	New Yorker	Chrysler	.94	RAV4	Toyota	.337
Laser	Plymouth	.297	Ninety-Eight	Oldsmobile	.286	Reatta	Buick	.29
LeBaron	Chrysler	.94	Niva	Lada	.235	Regal	Buick	.28
Legacy	Subaru	.322	NSX	Acura	.1	Relay	Saturn	.320
Leganza	Daewoo	.100	Nubira	Daewoo	.100	Rendezvous	Buick	.33
Legend	Acura	.1	NX	Nissan	.274	Rio	Kia	.233
LeMans	Pontiac	.312	Oasis	Isuzu	.213	Riviera	Buick	.29
LeSabre	Buick	.26	Odyssey	Honda	.199	RL	Acura	.1
LHS	Chrysler	.94	Omni	Dodge	.104	Roadmaster	Buick	.31
Liberty	Jeep	.220	Optima	Kia	.233	Rocky	Daihatsu	.101
Loyale	Subaru	.322	Optima	Pontiac	.311	Rodeo	Isuzu	.213
LR3	Land Rover	.317	Outback	Subaru	.322	Rodeo Sport	Isuzu	.213
LS	Lincoln	.240	Outlander	Mitsubishi	.271	RS6	Audi	.12
LS400	Lexus	.237	P30	Chevrolet	.84	RSX	Acura	.1
LS430	Lexus	.237	P3500	GMC	.84	RX300	Lexus	.239
Lumina	Chevrolet	.45	Pacifica	Chrysler	.97	RX330	Lexus	.239
Lumina APV	Chevrolet	.59	Park Avenue	Buick	.26	RX-7	Mazda	.248
LW	Saturn	.319	Paseo	Toyota	.330	RX-8	Mazda	.248
LX450	Lexus	.239	Passat	Volkswagen	.344	S10	Chevrolet	.60
LX470	Lexus	.239	Passport	Honda	.200	S10 Blazer	Chevrolet	.60
M3	BMW	.18	Pathfinder	Nissan	.279	S15	GMC	.60
M30	Infiniti	.209	Pickup	Isuzu	.213	S15 Jimmy	GMC	.60
M5	BMW	.21	Pickup	Nissan	.279	S2000	Honda	.197
Magentis	Kia	.233	Pickup	Toyota	.337	S4	Audi	.12
Magnum	Dodge	.109	Pilot	Honda	.201	S40	Volvo	.348
Malibu	Chevrolet	.47	Precis	Mitsubishi	.268	S6	Audi	.12
Marauder	Mercury	.263	Prelude	Honda	.196	S60	Volvo	.348
Mariner	Mercury	.265	Premier	Eagle	.133	S70	Volvo	.348
Mark Series	Lincoln	.240	Previa	Toyota	.337	S8	Audi	.9
Matrix	Toyota	.330	Prius	Toyota	.330	S80	Volvo	.348
Maxima	Nissan	.274	Prizm	Chevrolet	.53	S90	Volvo	.348
MDX	Acura	.6	Prizm	Geo	.182	Sable	Mercury	.259
Metro	Chevrolet	.53	Probe	Ford	.141	Safari	GMC	.60
Metro	Geo	.182	Protege	Mazda	.245	Samara	Lada	.235
Miata	Mazda	.248	Prowler	Chrysler	.96	Samurai	Suzuki	.327
Micra	Nissan	.274	Prowler	Plymouth	.296	Santa Fe	Hyundai	.206
Mighty Max	Mitsubishi	.271	PT Cruiser	Chrysler	.98	Savana 1500	GMC	.70
Millenia	Mazda	.245	Pulsar NX	Nissan	.274	Savana 2500	GMC	.77
Mirage	Mitsubishi	.268	Q45	Infiniti	.209	Savana 3500	GMC	.84
Monaco	Dodge	.106	Quest	Nissan	.279	SC	Saturn	.319
Montana	Pontiac	.313	QX4	Infiniti	.210	SC1	Saturn	.319
Monte Carlo	Chevrolet	.45	QX56	Infiniti	.210	SC2	Saturn	.319
Montego	Mercury	.261	R1500 Suburban	Chevrolet	.65	SC300	Lexus	.237
Monterey Van	Mercury	.267	R1500 Suburban	GMC	.65	SC400	Lexus	.237
Montero	Mitsubishi	.271	R2500 Suburban	Chevrolet	.73	SC430	Lexus	.237
Montero Sport	Mitsubishi	.271	R2500 Suburban	GMC	.73	Scoupe	Hyundai	.203
Mountaineer	Mercury	.266	R3500	Chevrolet	.80	Sebring	Chrysler	.93
MPV	Mazda	.250	R3500	GMC	.80	Sedona	Kia	.233

## MODEL TO MANUFACTURER CROSS REFERENCE *continued*

Model	Manufacturer	Page	Model	Manufacturer	Page	Model	Manufacturer	Page
Sentra	Nissan	.274	T8 Spider	Isotta Fraschini	.210	Voyager	Plymouth	.300
Sephia	Kia	.233	Tacoma	Toyota	.337	Vue	Saturn	.320
Sequoia	Toyota	.337	Tahoe	Chevrolet	.65	W150	Dodge	.118
Seville	Cadillac	.36	Talon	Eagle	.133	W250	Dodge	.123
Shadow	Dodge	.102	Taurus	Ford	.142	W350	Dodge	.128
Sidekick	Suzuki	.327	tC	Scion	.320	Wagoneer	Jeep	.228
Sienna	Toyota	.337	Tempo	Ford	.144	Windstar	Ford	.158
Sierra 1500	GMC	.65	Tercel	Toyota	.330	Wrangler	Jeep	.225
Sierra 1500 HD	GMC	.65	Terraza	Buick	.32	X3	BMW	.24
Sierra 2500	GMC	.73	Testarossa	Ferrari	.137	X5	BMW	.24
Sierra 2500 HD	GMC	.73	Thunderbird	Ford	.150	X-90	Suzuki	.327
Sierra 3500	GMC	.80	Tiburon	Hyundai	.203	xA	Scion	.320
Sigma	Mitsubishi	.268	Titan	Nissan	.279	xB	Scion	.320
Signet	Lada	.235	TL	Acura	.1	XG300	Hyundai	.203
Silhouette	Oldsmobile	.291	Topaz	Mercury	.262	XG350	Hyundai	.203
Silver Spur	Rolls Royce	.316	Toronado	Oldsmobile	.287	XJ12	Jaguar	.219
Silverado	Chevrolet	.65	Town & Country	Chrysler	.98	XJ6	Jaguar	.219
Silverado 1500	Chevrolet	.65	Town Car	Lincoln	.240	XJR	Jaguar	.219
Silverado 1500 HD	Chevrolet	.65	Tracer	Mercury	.260	XJR	Jaguar	.219
Silverado 2500	Chevrolet	.73	Tracker	Chevrolet	.54	XJRS	Jaguar	.219
Silverado 2500 HD	Chevrolet	.73	Tracker	Geo	.184	XJS	Jaguar	.219
Silverado 3500	Chevrolet	.80	Trailblazer	Chevrolet	.58	XK8	Jaguar	.219
Skylark	Buick	.29	Trans Sport	Pontiac	.313	XL-7	Suzuki	.327
SL	Saturn	.319	Transporter	Volkswagen	.347	XLR	Cadillac	.40
SL1	Saturn	.319	Tribute	Mazda	.250	XT	Subaru	.322
SL2	Saturn	.319	Trooper	Isuzu	.213	Xterra	Nissan	.279
SLX	Acura	.6	Truck	International	.210	X-Type	Jaguar	.219
Solara	Toyota	.330	TSX	Acura	.1	Yukon	GMC	.65
Sonata	Hyundai	.203	TT	Audi	.9	Z3	BMW	.18
Sonoma	GMC	.60	TT Quattro	Audi	.9	Z4	BMW	.20
Sorento	Kia	.233	Tundra	Toyota	.337	Z8	BMW	.24
Spectra	Kia	.233	TurboR	Bentley	.18			
Spider	Alfa Romeo	.7	Typhoon	GMC	.60			
Spirit	Dodge	.102	Uplander	Chevrolet	.64			
Sportage	Kia	.233	V1500 Suburban	Chevrolet	.65			
Sprint	Chevrolet	.53	V1500 Suburban	GMC	.65			
Sprinter 2500	Dodge	.123	V2500 Suburban	Chevrolet	.73			
Sprinter 3500	Dodge	.128	V2500 Suburban	GMC	.73			
Spyder	Maserati	.244	V3500	Chevrolet	.80			
SRX	Cadillac	.41	V3500	GMC	.80			
SSR	Chevrolet	.64	V40	Volvo	.348			
Stanza	Nissan	.274	V70	Volvo	.348			
Stealth	Dodge	.111	V8 Quattro	Audi	.9			
Storm	Geo	.182	V90	Volvo	.348			
Stratus	Dodge	.108	Vanagon	Volkswagen	.347			
STS	Cadillac	.39	Vanden Plas	Jaguar	.219			
Stylus	Isuzu	.213	Vehi CROSS	Isuzu	.213			
S-Type	Jaguar	.219	Venture	Chevrolet	.59			
Summit	Eagle	.133	Verona	Suzuki	.325			
Sunbird	Pontiac	.306	Vibe	Pontiac	.309			
Sundance	Plymouth	.292	Vigor	Acura	.1			
Sunfire	Pontiac	.307	Villager	Mercury	.268			
Supra	Toyota	.334	Viper	Dodge	.110			
SVX	Subaru	.322	Virage	Aston Martin	.8			
SW1	Saturn	.319	Vision	Eagle	.133			
SW2	Saturn	.319	Vista	Eagle	.133			
Swift	Suzuki	.325	Vitara	Suzuki	.327			
Syclone	GMC	.60	Volante	Aston Martin	.8			
T100	Toyota	.337	Voyager	Chrysler	.98			



## MANUFACTURER TO MODEL CROSS REFERENCE

Manufacturer	Model	Page	Manufacturer	Model	Page	Manufacturer	Model	Page
Acura	.CL	.1	BMW	.330Ci	.18	Chevrolet	.Aveo	.42
Acura	.Integra	.1	BMW	.330i	.18	Chevrolet	.Beretta	.42
Acura	.Legend	.1	BMW	.330xi	.18	Chevrolet	.Blazer	.65
Acura	.MDX	.6	BMW	.525i	.21	Chevrolet	.C1500	.65
Acura	.NSX	.1	BMW	.528i	.21	Chevrolet	.C1500 Suburban	.65
Acura	.RL	.1	BMW	.530i	.21	Chevrolet	.C2500	.73
Acura	.RSX	.1	BMW	.535i	.21	Chevrolet	.C2500 Suburban	.73
Acura	.SLX	.6	BMW	.540i	.21	Chevrolet	.C3500	.80
Acura	.TL	.1	BMW	.540ia	.21	Chevrolet	.Camaro	.49
Acura	.TSX	.1	BMW	.545i	.21	Chevrolet	.Caprice	.47
Acura	.Vigor	.1	BMW	.735i	.22	Chevrolet	.Cavalier	.42
Alfa Romeo	.164	.7	BMW	.735iL	.22	Chevrolet	.Celebrity	.44
Alfa Romeo	.Spider	.7	BMW	.740i	.22	Chevrolet	.Classic	.47
Aston Martin	.Virage	.8	BMW	.740iL	.22	Chevrolet	.Cobalt	.45
Aston Martin	.Volante	.8	BMW	.745i	.22	Chevrolet	.Colorado	.58
Audi	.100	.14	BMW	.745Li	.22	Chevrolet	.Corsica	.42
Audi	.101	.14	BMW	.750iL	.22	Chevrolet	.Corvette	.51
Audi	.102	.14	BMW	.760Li	.22	Chevrolet	.Equinox	.59
Audi	.103	.14	BMW	.840Ci	.24	Chevrolet	.Express 1500	.70
Audi	.104	.14	BMW	.850Ci	.24	Chevrolet	.Express 2500	.77
Audi	.105	.14	BMW	.850CSi	.24	Chevrolet	.Express 3500	.84
Audi	.106	.14	BMW	.850i	.24	Chevrolet	.G10	.70
Audi	.107	.14	BMW	.M3	.18	Chevrolet	.G20	.77
Audi	.A4	.9	BMW	.M5	.21	Chevrolet	.G30	.84
Audi	.A4 Quattro	.9	BMW	.X3	.24	Chevrolet	.HHR	.59
Audi	.A6	.9	BMW	.X5	.24	Chevrolet	.Impala	.45
Audi	.A6 Quattro	.9	BMW	.Z3	.18	Chevrolet	.Impala	.47
Audi	.A8	.9	BMW	.Z4	.20	Chevrolet	.K1500	.65
Audi	.A8 Quattro	.9	BMW	.Z8	.24	Chevrolet	.K1500 Suburban	.65
Audi	.Allroad Quattro	.17	Buick	.Century	.25	Chevrolet	.K2500	.73
Audi	.Cabriolet	.9	Buick	.Electra	.26	Chevrolet	.K2500 Suburban	.73
Audi	.Coupe Quattro	.11	Buick	.LaCrosse	.27	Chevrolet	.K3500	.80
Audi	.RS6	.12	Buick	.LeSabre	.26	Chevrolet	.Lumina	.45
Audi	.S4	.12	Buick	.Park Avenue	.26	Chevrolet	.Lumina APV	.59
Audi	.S6	.12	Buick	.Rainier	.32	Chevrolet	.Malibu	.47
Audi	.S8	.9	Buick	.Reatta	.29	Chevrolet	.Metro	.53
Audi	.TT	.9	Buick	.Regal	.28	Chevrolet	.Monte Carlo	.45
Audi	.TT Quattro	.9	Buick	.Rendezvous	.33	Chevrolet	.P30	.84
Audi	.V8 Quattro	.9	Buick	.Riviera	.29	Chevrolet	.Prizm	.53
Avanti	.Il	.17	Buick	.Roadmaster	.31	Chevrolet	.R1500 Suburban	.65
Bentley	.Continental	.18	Buick	.Skylark	.29	Chevrolet	.R2500 Suburban	.73
Bentley	.Continental	.18	Buick	.Terraza	.32	Chevrolet	.R3500	.80
Bentley	.Eight	.18	Cadillac	.Allante	.34	Chevrolet	.S10	.60
Bentley	.Mulsanne	.18	Cadillac	.Catera	.39	Chevrolet	.S10 Blazer	.60
Bentley	.TurboR	.18	Cadillac	.Comm. Chassis FWD	.34	Chevrolet	.Silverado	.65
BMW	.318i	.18	Cadillac	.Comm. Chassis RWD	.37	Chevrolet	.Silverado 1500	.65
BMW	.318is	.18	Cadillac	.CTS	.39	Chevrolet	.Silverado 1500 HD	.65
BMW	.318ti	.18	Cadillac	.DeVille	.34	Chevrolet	.Silverado 2500	.73
BMW	.323Ci	.18	Cadillac	.Eldorado	.35	Chevrolet	.Silverado 2500 HD	.73
BMW	.323i	.18	Cadillac	.Escalade	.40	Chevrolet	.Silverado 3500	.80
BMW	.323is	.18	Cadillac	.Fleetwood	.34	Chevrolet	.Sprint	.53
BMW	.325Ci	.18	Cadillac	.Fleetwood	.37	Chevrolet	.SSR	.64
BMW	.325i	.18	Cadillac	.Seville	.36	Chevrolet	.Tahoe	.65
BMW	.325is	.18	Cadillac	.SRX	.41	Chevrolet	.Tracker	.54
BMW	.325iX	.18	Cadillac	.STS	.39	Chevrolet	.Trailblazer	.58
BMW	.325xi	.18	Cadillac	.XLR	.40	Chevrolet	.Uplander	.64
BMW	.328Ci	.18	Chevrolet	.Astro	.56	Chevrolet	.V1500 Suburban	.65
BMW	.328i	.18	Chevrolet	.Avalanche 1500	.65	Chevrolet	.V2500 Suburban	.73
BMW	.328is	.18	Chevrolet	.Avalanche 2500	.72	Chevrolet	.V3500	.80

## MANUFACTURER TO MODEL CROSS REFERENCE *continued*

Manufacturer	Model	Page	Manufacturer	Model	Page	Manufacturer	Model	Page
Chevrolet	Venture	59	Dodge	Viper	110	Geo	Prizm	182
Chrysler	300	97	Dodge	W150	118	Geo	Storm	182
Chrysler	300M	94	Dodge	W250	123	Geo	Tracker	184
Chrysler	Cirrus	93	Dodge	W350	128	GMC	C1500	65
Chrysler	Concorde	94	Eagle	2000 GTX	133	GMC	C1500 Suburban	65
Chrysler	Crossfire	96	Eagle	Premier	133	GMC	C2500	73
Chrysler	Grand Voyager	98	Eagle	Summit	133	GMC	C2500 Suburban	73
Chrysler	Imperial	94	Eagle	Talon	133	GMC	C3500	80
Chrysler	LeBaron	94	Eagle	Vision	133	GMC	Canyon	58
Chrysler	LHS	94	Eagle	Vista	133	GMC	Envoy	58
Chrysler	New Yorker	94	Ferrari	348 Coupe	137	GMC	G1500	70
Chrysler	Pacifica	97	Ferrari	F40	137	GMC	G2500	77
Chrysler	Prowler	96	Ferrari	Testarossa	137	GMC	G3500	84
Chrysler	PT Cruiser	98	Ford	Aerostar	153	GMC	Jimmy	60
Chrysler	Sebring	93	Ford	Aspire	151	GMC	K1500	65
Chrysler	Town & Country	98	Ford	Bronco	159	GMC	K1500 Suburban	65
Chrysler	Voyager	98	Ford	Bronco II	153	GMC	K2500	73
Daewoo	Lanos	100	Ford	Contour	138	GMC	K2500 Suburban	73
Daewoo	Leganza	100	Ford	Country Squire	146	GMC	K3500	80
Daewoo	Nubira	100	Ford	Crown Victoria	146	GMC	P3500	84
Daihatsu	Charade	100	Ford	E-150	163	GMC	R1500 Suburban	65
Daihatsu	Rocky	101	Ford	E-150 Club Wagon	163	GMC	R2500 Suburban	73
Dodge	Avenger	103	Ford	E-150 Econoline	163	GMC	R3500	80
Dodge	B150	118	Ford	E-250	167	GMC	S15	60
Dodge	B1500	118	Ford	E-250 Econoline	167	GMC	S15 Jimmy	60
Dodge	B250	123	Ford	E-350	173	GMC	Safari	60
Dodge	B2500	123	Ford	E-350 Club Wagon	173	GMC	Savana 1500	70
Dodge	B350	128	Ford	E-350 Econoline	173	GMC	Savana 2500	77
Dodge	B3500	128	Ford	E-350 Super Duty	173	GMC	Savana 3500	84
Dodge	Caravan	113	Ford	E-450 Econ. Super Duty	178	GMC	Sierra 1500	65
Dodge	Charger	109	Ford	E-450 Super Duty	178	GMC	Sierra 1500 HD	65
Dodge	Colt	111	Ford	Escape	157	GMC	Sierra 2500	73
Dodge	D150	118	Ford	Escort	139	GMC	Sierra 2500 HD	73
Dodge	D250	123	Ford	Excursion	161	GMC	Sierra 3500	80
Dodge	D350	128	Ford	Expedition	162	GMC	Sonoma	60
Dodge	Dakota	118	Ford	Explorer	153	GMC	Syclone	60
Dodge	Daytona	102	Ford	Explorer Sport Trac	153	GMC	Typhoon	60
Dodge	Durango	118	Ford	F-150	163	GMC	V1500 Suburban	65
Dodge	Dynasty	102	Ford	F-250	167	GMC	V2500 Suburban	73
Dodge	Grand Caravan	113	Ford	F-250 Super Duty	167	GMC	V3500	80
Dodge	Intrepid	106	Ford	F-350	173	GMC	Yukon	65
Dodge	Magnum	109	Ford	F-350 Super Duty	173	Honda	Accord	190
Dodge	Monaco	106	Ford	F-450 Super Duty	178	Honda	Civic	192
Dodge	Neon	107	Ford	F53	178	Honda	CR-V	197
Dodge	Omni	104	Ford	F-550 Super Duty	178	Honda	CRX	195
Dodge	Ram 1500 PU	118	Ford	F59	178	Honda	Element	198
Dodge	Ram 1500 VAN	118	Ford	Festiva	152	Honda	Insight	196
Dodge	Ram 2500 PU	123	Ford	Five Hundred	140	Honda	Odyssey	199
Dodge	Ram 2500 VAN	123	Ford	Focus	140	Honda	Passport	200
Dodge	Ram 3500 PU	128	Ford	Freestar	158	Honda	Pilot	201
Dodge	Ram3500 VAN	128	Ford	GT	147	Honda	Prelude	196
Dodge	Ram50	116	Ford	Mustang	147	Honda	S2000	197
Dodge	Ramcharger	118	Ford	Probe	141	Hummer	H1	203
Dodge	Shadow	102	Ford	Ranger	153	Hummer	H2	203
Dodge	Spirit	102	Ford	Taurus	142	Hummer	H3	203
Dodge	Sprinter 2500	123	Ford	Tempo	144	Hyundai	Accent	203
Dodge	Sprinter 3500	128	Ford	Thunderbird	150	Hyundai	Elantra	203
Dodge	Stealth	111	Ford	Windstar	158	Hyundai	Excel	203
Dodge	Stratus	108	Geo	Metro	182	Hyundai	Santa Fe	206

## MANUFACTURER TO MODEL CROSS REFERENCE *continued*

Manufacturer	Model	Page	Manufacturer	Model	Page	Manufacturer	Model	Page
Hyundai	.Scoupe	.203	Laforza	.Laforza	.236	Mercedes-Benz	.600 Ser.	.254
Hyundai	.Sonata	.203	Lamborghini	.Countach	.236	Mercedes-Benz	.C220	.254
Hyundai	.Tiburon	.203	Land Rover	.Defender 110	.317	Mercedes-Benz	.C230	.254
Hyundai	.XG300	.203	Land Rover	.Defender 90	.317	Mercedes-Benz	.C240	.254
Hyundai	.XG350	.203	Land Rover	.Discovery	.317	Mercedes-Benz	.C280	.254
Infiniti	.FX35	.210	Land Rover	.LR3	.317	Mercury	.Capri	.257
Infiniti	.FX45	.210	Land Rover	.Range Rover	.317	Mercury	.Colony Park	.263
Infiniti	.G20	.207	Lexus	.ES250	.236	Mercury	.Cougar	.258
Infiniti	.G35	.209	Lexus	.ES300	.236	Mercury	.Cougar	.264
Infiniti	.I30	.207	Lexus	.ES330	.236	Mercury	.Grand Marquis	.263
Infiniti	.I35	.207	Lexus	.GS300	.237	Mercury	.Marauder	.263
Infiniti	.J30	.209	Lexus	.GS400	.237	Mercury	.Mariner	.265
Infiniti	.M30	.209	Lexus	.GS430	.237	Mercury	.Montego	.261
Infiniti	.Q45	.209	Lexus	.GX470	.238	Mercury	.Monterey Van	.267
Infiniti	.QX4	.210	Lexus	.IS300	.237	Mercury	.Mountaineer	.266
Infiniti	.QX56	.210	Lexus	.LS400	.237	Mercury	.Mystique	.258
International	.Truck	.210	Lexus	.LS430	.237	Mercury	.Sable	.259
Isotta Fraschini	.T8 Spider	.210	Lexus	.LX450	.239	Mercury	.Topaz	.262
Isuzu	.Amigo	.213	Lexus	.LX470	.239	Mercury	.Tracer	.260
Isuzu	.Ascender	.213	Lexus	.RX300	.239	Mercury	.Villager	.268
Isuzu	.Axiom	.213	Lexus	.RX330	.239	Mitsubishi	.3000GT	.268
Isuzu	.Hombre	.213	Lexus	.SC300	.237	Mitsubishi	.Diamante	.268
Isuzu	.Impulse	.211	Lexus	.SC400	.237	Mitsubishi	.Eclipse	.268
Isuzu	.Oasis	.213	Lexus	.SC430	.237	Mitsubishi	.Endeavor	.271
Isuzu	.Pickup	.213	Lincoln	.Aviator	.242	Mitsubishi	.Expo	.268
Isuzu	.Rodeo	.213	Lincoln	.Blackwood	.242	Mitsubishi	.Galant	.268
Isuzu	.Rodeo Sport	.213	Lincoln	.Continental	.240	Mitsubishi	.Lancer	.268
Isuzu	.Stylus	.213	Lincoln	.LS	.240	Mitsubishi	.Mighty Max	.271
Isuzu	.Trooper	.213	Lincoln	.Mark Series	.240	Mitsubishi	.Mirage	.268
Isuzu	.Vehi CROSS	.213	Lincoln	.Navigator	.242	Mitsubishi	.Montero	.271
Jaguar	.S-Type	.219	Lincoln	.Town Car	.240	Mitsubishi	.Montero Sport	.271
Jaguar	.Vanden Plas	.219	Maserati	.228i	.244	Mitsubishi	.Outlander	.271
Jaguar	.XJ12	.219	Maserati	.430i	.244	Mitsubishi	.Precis	.268
Jaguar	.XJ6	.219	Maserati	.Spyder	.244	Mitsubishi	.Sigma	.268
Jaguar	.XJR	.219	Mazda	.3	.245	Nissan	.200SX	.274
Jaguar	.XJR	.219	Mazda	.323	.245	Nissan	.240SX	.277
Jaguar	.XJRS	.219	Mazda	.6	.245	Nissan	.300ZX	.277
Jaguar	.XJS	.219	Mazda	.626	.245	Nissan	.350Z	.277
Jaguar	.XK8	.219	Mazda	.929	.248	Nissan	.Altima	.274
Jaguar	.X-Type	.219	Mazda	.B2200	.250	Nissan	.Armada	.279
Jeep	.Cherokee	.221	Mazda	.B2300	.250	Nissan	.Axxess	.274
Jeep	.Comanche	.230	Mazda	.B2500	.250	Nissan	.D21	.279
Jeep	.Grand Cherokee	.221	Mazda	.B2600	.250	Nissan	.Frontier	.279
Jeep	.Grand Wagoneer	.228	Mazda	.B3000	.250	Nissan	.Maxima	.274
Jeep	.Liberty	.220	Mazda	.B4000	.250	Nissan	.Micra	.274
Jeep	.Wagoneer	.228	Mazda	.Miata	.248	Nissan	.Murano	.279
Jeep	.Wrangler	.225	Mazda	.Millenia	.245	Nissan	.NX	.274
Kia	.Amanti	.233	Mazda	.MPV	.250	Nissan	.Pathfinder	.279
Kia	.Magentis	.233	Mazda	.MX-3	.245	Nissan	.Pickup	.279
Kia	.Optima	.233	Mazda	.MX-6	.245	Nissan	.Pulsar NX	.274
Kia	.Rio	.233	Mazda	.Navajo	.250	Nissan	.Quest	.279
Kia	.Sedona	.233	Mazda	.Protege	.245	Nissan	.Sentra	.274
Kia	.Sephia	.233	Mazda	.RX-7	.248	Nissan	.Stanza	.274
Kia	.Sorento	.233	Mazda	.RX-8	.248	Nissan	.Titan	.279
Kia	.Spectra	.233	Mazda	.Tribute	.250	Nissan	.Xterra	.279
Kia	.Sportage	.233	Mercedes-Benz	.190E	.254	Oldsmobile	.88	.286
Lada	.Niva	.235	Mercedes-Benz	.300 Ser.	.254	Oldsmobile	.Achieva	.283
Lada	.Samara	.235	Mercedes-Benz	.400 Ser.	.254	Oldsmobile	.Alero	.283
Lada	.Signet	.235	Mercedes-Benz	.500 Ser.	.254	Oldsmobile	.Aurora	.285

## MANUFACTURER TO MODEL CROSS REFERENCE *continued*

Manufacturer	Model	Page	Manufacturer	Model	Page	Manufacturer	Model	Page
Oldsmobile	.Bravada	289	Saturn	.L300-2	319	Toyota	.Tercel	330
Oldsmobile	.Custom Cruiser	288	Saturn	.L300-3	319	Toyota	.Tundra	337
Oldsmobile	.Cutlass	283	Saturn	.LV	319	Volkswagen	.Beetle	344
Oldsmobile	.Cutlass Calais	283	Saturn	.Relay	320	Volkswagen	.Cabrio	344
Oldsmobile	.Cutlass Ciera	285	Saturn	.SC	319	Volkswagen	.Cabriolet	344
Oldsmobile	.Cutlass Supreme	283	Saturn	.SC1	319	Volkswagen	.Corrado	344
Oldsmobile	.Intrigue	287	Saturn	.SC2	319	Volkswagen	.Euro Van	347
Oldsmobile	.Ninety-Eight	286	Saturn	.SL	319	Volkswagen	.Fox	344
Oldsmobile	.Silhouette	291	Saturn	.SL1	319	Volkswagen	.Golf	344
Oldsmobile	.Toronado	287	Saturn	.SL2	319	Volkswagen	.Jetta	344
Peugeot	.405	291	Saturn	.SW1	319	Volkswagen	.Passat	344
Peugeot	.505	291	Saturn	.SW2	319	Volkswagen	.Transporter	347
Plymouth	.Acclaim	292	Saturn	.Vue	320	Volkswagen	.Vanagon	347
Plymouth	.Breeze	293	Scion	.tC	320	Volvo	.240	348
Plymouth	.Colt	297	Scion	.xA	320	Volvo	.740	348
Plymouth	.Grand Voyager	300	Scion	.xB	320	Volvo	.760	348
Plymouth	.Horizon	294	Sterling	.827	321	Volvo	.780	348
Plymouth	.Laser	297	Subaru	.Baja	324	Volvo	.850	348
Plymouth	.Neon	295	Subaru	.Forester	324	Volvo	.940	348
Plymouth	.Prowler	296	Subaru	.Impreza	322	Volvo	.960	348
Plymouth	.Sundance	292	Subaru	.Justy	322	Volvo	.C70	348
Plymouth	.Voyager	300	Subaru	.Legacy	322	Volvo	.S40	348
Pontiac	.6000	308	Subaru	.Loyale	322	Volvo	.S60	348
Pontiac	.Aztek	313	Subaru	.Outback	322	Volvo	.S70	348
Pontiac	.Bonneville	302	Subaru	.SVX	322	Volvo	.S80	348
Pontiac	.Firebird	309	Subaru	.XT	322	Volvo	.S90	348
Pontiac	.Firefly	311	Suzuki	.Aerio	325	Volvo	.V40	348
Pontiac	.G6	302	Suzuki	.Esteem	325	Volvo	.V70	348
Pontiac	.Grand Am	303	Suzuki	.Forenza	325	Volvo	.V90	348
Pontiac	.Grand Prix	304	Suzuki	.GrandVitar	327	Yugo	.Cabrio	352
Pontiac	.GTO	309	Suzuki	.Samurai	327	Yugo	.GV	352
Pontiac	.LeMans	312	Suzuki	.Sidekick	327			
Pontiac	.Montana	313	Suzuki	.Swift	325			
Pontiac	.Optima	311	Suzuki	.Verona	325			
Pontiac	.Sunbird	306	Suzuki	.Vitar	327			
Pontiac	.Sunfire	307	Suzuki	.X-90	327			
Pontiac	.Trans Sport	313	Suzuki	.XL-7	327			
Pontiac	.Vibe	309	Toyota	.4Runner	337			
Porsche	.911	314	Toyota	.Avalon	330			
Porsche	.928	314	Toyota	.Camry	330			
Porsche	.928	314	Toyota	.Celica	330			
Porsche	.944	314	Toyota	.Corolla	330			
Porsche	.944	314	Toyota	.Cressida	334			
Porsche	.968	314	Toyota	.Echo	330			
Porsche	.Boxster	314	Toyota	.Highlander	337			
Porsche	.Carrera	314	Toyota	.Land Cruiser	337			
Rolls Royce	.Corniche	316	Toyota	.Matrix	330			
Rolls Royce	.Silver Spur	316	Toyota	.MR2	334			
Saab	.900	317	Toyota	.Paseo	330			
Saab	.9000	317	Toyota	.Pickup	337			
Saab	.9000	317	Toyota	.Previa	337			
Saab	.9-3	317	Toyota	.Prius	330			
Saab	.9-5	317	Toyota	.RAV4	337			
Saturn	.Ion	319	Toyota	.Sequoia	337			
Saturn	.Ion	319	Toyota	.Sienna	337			
Saturn	.L100	319	Toyota	.Solara	330			
Saturn	.L200	319	Toyota	.Supra	334			
Saturn	.L300	319	Toyota	.T100	337			
Saturn	.L300-1	319	Toyota	.Tacoma	337			



## ABBREVIATIONS KEY

Abbreviation	Stands For...	Abbreviation	Stands For...	Abbreviation	Stands For...
2WD	2 Wheel Drive	Equip.	Equipment	O.D.	Outside Diameter
4WD	4 Wheel Drive	Exc.	Except	O/D	Overdrive
A/C	Air Conditioning	Exh.	Exhaust	O.E.	Original Equipment
A/T	Automatic Transmission	Exp.	Export	OHV	Overhead Valve
ABS	Anti-Lock Brakes	Ext.	Extension	Opt	Optional
Acc.	Accessory	FI.	Fuel Injection	O/S	Output Shaft
Amp.	Ampere	Flg.	Flange	Otr.	Outer
AOD	Automatic Overdrive	Frnt.	Front	P/S	Power Steering
Assy.	Assembly	FWD	Front Wheel Drive	Pass.	Passenger
ATX	Automatic Transaxle	GVW	Gross Vehicle Weight	Pkg.	Package
Auto.	Automatic	H/D	Heavy Duty	Qty.	Quantity
Aux.	Auxiliary	HO.	High Output	R.G.	Ring Gear
AWD	All Wheel Drive	Hsg.	Housing	R.H.	Right Hand
BRG.	Bearing	Hyd.	Hydraulic	Rlr.	Roller
Brks.	Brakes	I.D.	Inside Diameter	Rpr.	Repair
Brkt	Bracket	Indep.	Independent	Rr.	Rear
Can.	Canada	Inter.	Intermediate	RWD	Rear Wheel Drive
Carb.	Carburetor	in.	Inch	S/C	Super Charged
cc.	Cubic Centimeter	Incl.	Includes	Ser.	Series
Ch.	Chassis	Inr.	Inner	Slv.	Sleeve
CID	Cubic Inch Displacement	Inj.	Injection	SOHC	Single Overhead Cam
Cl.	Clutch	I/S	Input Shaft	Spd.	Speed
Comm.	Commercial	Limo.	Limousine	Spec.	Special
Cpe.	Coupe	L.H.	Left Hand	SRW	Single Rear Wheel
C/S	Counter Shaft	L/D	Light Duty	Std.	Standard
Cyl.	Cylinder	M/D	Medium Duty	Trac.	Traction
Dia.	Diameter	M/T	Manual Transmission	Trans.	Transmission
Diff.	Differential	Man.	Manual	Turbo	Turbocharger
DOHC	Dual Overhead Cam	Max.	Maximum	VIN	Vehicle Identification Number
Dr.	Drive	Min.	Minimum	W/B	Wheel Base
DRW	Dual Rear Wheel	Mm	Millimeters	Wagon	Station Wagon
Elec.	Electric	Mtg	Mounting	Whl	Wheel
Emis.	Emissions	MTX	Manual Transaxle	Wt.	Weight
Eng.	Engine	No.	Number		



Mfg./Year	Model & Location	Part No	Mfg./Year	Model & Location	Part No
<b>ACURA - FRONT DRIVE - Integra, Legend, NSX, RSX, TSX, Vigor, 2.2CL, 2.3CL, 2.5TL, 3.0CL, 3.2CL, 3.2TL, 3.5RL</b>					

**FRONT WHEEL**

2005-2004	TSX	
Ball Bearing	.....	510039[2]
2005-2002	RSX	
Ball Bearing	.....	510039[2]
2005-1999	3.2TL	
Ball Bearing	.....	510050[2]
2005-1996	3.5RL	
Ball Bearing	.....	510011[2]
2005-1991	NSX	
Bearing Module	.....	513099[2]
2003-2001	3.2CL	
Ball Bearing	.....	510050[2]
2001-1994	Integra	
Ball Bearing	.....	510030[2]
1999-1998	2.3CL	
Bearing Module	.....	513098[2]
1999-1997	3.0CL	
Bearing Module	.....	510038[2]
1998-1996	3.2TL	
Ball Bearing	.....	510011[2]
1998-1995	2.5TL	
Bearing Module	.....	510038[2]
1997	2.2CL	
Bearing Module	.....	513098[2]
1995-1991	Legend	
Ball Bearing	.....	510011[2]
1994-1992	Vigor	
Bearing Module	.....	513093[2]
1993-1990	Integra	
Ball Bearing	.....	513241[2]
1990	Legend	
Ball Bearing	.....	513052[2]

**REAR WHEEL**

2006-2004	TSX (ABS)	
Hub Assembly	.....	HA590019[2] <sup>25</sup>
2005-2002	RSX (ABS)	
Hub Assembly	.....	HA590005[2] <sup>25</sup>
2005-1999	3.2TL	
Hub Assembly	.....	512179[2]
2005-1996	3.5RL	
Hub Assembly	.....	512123[2]
2005-1991	NSX	
Bearing Module	.....	511012[2]
2003-2001	3.2CL	
Hub Assembly	.....	512173[2]
2001-1997	Integra Type R	
Ball Bearing	.....	510030[2]
2001-1994	Integra (ABS)	
Hub Assembly	.....	513105[2]
1999-1998	2.3CL	
Hub Assembly	.....	512032[2]
1999-1997	3.0CL	
Hub Assembly	.....	512032[2]
1999-1994	Integra (w/o ABS)	
Hub Assembly	.....	512034[2]
1998-1996	3.2TL	
Hub Assembly	.....	512121[2]
1998-1995	2.5TL	
Hub Assembly	.....	512120[2]

**REAR WHEEL (cont.)**

1997	2.2CL	
Hub Assembly	.....	512032[2]
1995-1991	Legend	
Hub Assembly	.....	512008[2]
1994-1992	Vigor	
Hub Assembly	.....	512031[2]
1993-1990	Integra (ABS)	
Hub Assembly	.....	513105[2]
1993-1990	Integra (w/o ABS)	
Hub Assembly	.....	513033[2]
1990	(ABS) & (w/o ABS)	
Hub Assembly	.....	513049[2]

**REAR AXLE**

**Differential**

1996-1995	Legend	
Cone/Cup	.....	NP484279-NP905784[2]
1994-1992	Vigor	
Seal	.....	710147[2]
Bearing Assembly	.....	32009XM[2]

**Pinion**

1996-1995	Legend	
Cone/Cup (Inner)	.....	NP929079-NP030857
Cone/Cup (Outer)	.....	NP463799-NP235899
1994-1992	Vigor	
Seal (Inner)	.....	710242
Bearing Assembly (Inne	.....	33208
Seal (Outer)	.....	710250
Bearing Assembly	.....	
(Outer)	.....	32008XM

**CLUTCH**

**Pilot Bearing**

2001-1990	4 Cyl.	
Ball Bearing	.....	102CC

**Release Bearing**

2001-1994	Integra GSR GSRL Type R	
Bearing Assembly	.....	614072
2001-1994	Integra RS GS LS LSSPL	
Bearing Assembly	.....	614068
2000-1991	NSX	
Bearing Assembly	.....	614138
1999-1998	2.3CL	
Bearing Assembly	.....	614068
1997	2.2CL	
Bearing Assembly	.....	614068
1995-1991	Legend	
Bearing Assembly	.....	614138
1994-1992	Vigor	
Bearing Assembly	.....	614139
1993-1990	Integra	
Bearing Assembly	.....	614104
1990	Legend	
Bearing Assembly	.....	614068

<sup>25</sup>New Item, Check For Availability

# Bearings and Seals

Mfg./Year    Model & Location    Part No    Mfg./Year    Model & Location    Part No

## **ACURA - FRONT DRIVE - Integra, Legend, NSX, RSX, TSX, Vigor, 2.2CL, 2.3CL, 2.5TL, 3.0CL, 3.2CL, 3.2TL, 3.5RL (cont.)**

### **4-SPEED AUTOMATIC TRANSAXLE**

#### **Differential**

<b>2004-1996</b>	3.5RL (M5DA)	
	Bearing Assembly	32009XM[2]
<b>2001-1990</b>	Integra	
	Ball Bearing	208[2]
<b>2000-1991</b>	NSX	
	Bearing Assembly	32011XM[2]
<b>1999-1998</b>	2.3CL	
	Bearing Assembly (LH)	30208M
<b>1999-1996</b>	3.2TL	
	Bearing Assembly	32009XM[2]
<b>1998-1995</b>	2.5TL	
	Bearing Assembly	32009XM[2]
<b>1997</b>	2.2CL (A6VA)	
	Bearing Assembly (LH)	30208M
<b>1995-1991</b>	Legend	
	Bearing Assembly	32009XM[2]
<b>1994-1992</b>	Vigor	
	Bearing Assembly	32009XM[2]
<b>1990</b>	Legend	
	Bearing Assembly	30208M[2]

#### **Torque Converter**

<b>2004-1996</b>	3.5RL (M5DA)	
	Seal	710238
<b>2004-1991</b>	NSX (MR9A)	
	Seal	710238
<b>2003-1999</b>	3.2TL	
	Seal	417486
<b>2001</b>	3.2CL	
	Seal	350609
<b>2001-1990</b>	Integra (SKWA)	
	Seal	350609
<b>1999-1998</b>	2.3CL	
	Seal	350609
<b>1999-1997</b>	3.0CL	
	Seal	350609
<b>1998-1996</b>	3.2TL	
	Seal	350609
<b>1998-1995</b>	2.5TL	
	Seal	350609
<b>1997</b>	2.2CL	
	Seal	350609
<b>1995-1991</b>	Legend	
	Seal	710238
<b>1994-1992</b>	Vigor	
	Seal	350609
<b>1990</b>	Legend	
	Seal	350609

### **4-SPEED AUTOMATIC TRANSAXLE**

#### **Output Shaft**

<b>2004-1996</b>	3.5RL (M5DA)	
	Seal (RH)	710260
	Kwik Slv (Opt Rpr) (RH)	KWK99177
	Seal (LH)	225545
	Kwik Slv (Opt Rpr) (LH)	KWK99215
<b>2003-1991</b>	NSX (MR9A)	
	Seal (LH)	224068
	Kwik Slv (Opt Rpr) (LH)	KWK99157
	Seal (RH)	710291
	Kwik Slv (Opt Rpr) (RH)	KWK99166
<b>2001-1994</b>	Integra	
	Seal (RH)	1036
	Kwik Slv (Opt Rpr) (RH)	KWK99157
	Seal (LH)	223543
	Kwik Slv (Opt Rpr) (LH)	KWK99139
<b>1999-1998</b>	2.3CL	
	Seal (RH)	224066
	Kwik Slv (Opt Rpr) (RH)	KWK99157
	Seal Viton (LH)	224026
	Kwik Slv (Opt Rpr) (LH)	KWK99157
<b>1999-1997</b>	3.0CL (M7ZA)	
	Seal (RH)	710110
	Kwik Slv (Opt Rpr) (RH)	KWK99134
	Seal Viton (LH)	224026
	Kwik Slv (Opt Rpr) (LH)	KWK99157
<b>1999-1996</b>	3.2TL (M5HA, B7VA)	
	Seal (RH)	225545
	Kwik Slv (Opt Rpr) (RH)	KWK99215
	Seal (LH)	223805
	Kwik Slv (Opt Rpr) (LH)	KWK99147
<b>1998-1995</b>	2.5TL	
	Seal (RH)	710173
	Kwik Slv (Opt Rpr) (RH)	KWK99157
	Seal (LH)	350609
	Kwik Slv (Opt Rpr) (LH)	KWK99170
<b>1997</b>	2.2CL	
	Seal (RH)	224066
	Kwik Slv (Opt Rpr) (RH)	KWK99157
	Seal (LH)	712551
	Kwik Slv (Opt Rpr) (LH)	KWK99157
<b>1995-1991</b>	Legend	
	Seal (RH)	710260
	Kwik Slv (Opt Rpr) (RH)	KWK99177
	Seal (LH)	225545
	Kwik Slv (Opt Rpr) (LH)	KWK99215
<b>1994-1992</b>	Vigor	
	Seal (RH)	224025
	Kwik Slv (Opt Rpr) (RH)	KWK99157
	Seal (LH)	710173
	Kwik Slv (Opt Rpr) (LH)	KWK99196
<b>1993-1990</b>	Integra	
	Seal (RH)	1036
	Kwik Slv (Opt Rpr) (RH)	KWK99157
	Seal (LH)	223805
	Kwik Slv (Opt Rpr) (LH)	KWK99157
<b>1990</b>	Legend	
	Seal Viton	224026[2]
	Kwik Slv (Opt Rpr)	KWK99157[2]



**4-SPEED AUTOMATIC TRANSAXLE**

**Pinion**

<b>2001-1996</b>	3.5RL	
Seal (Frt)	.....	221207
Bearing Assembly (Rr)	.....	32207M
<b>1998-1996</b>	3.2TL	
Seal (Frt)	.....	221207
Bearing Assembly (Rr)	.....	32207M
<b>1998-1995</b>	2.5TL	
Seal (Frt)	.....	710242
Bearing Assembly (Frt)	.....	33208
Bearing Assembly (Rr)	.....	32009XM
<b>1995-1991</b>	Legend	
Seal (Frt)	.....	221207
Bearing Assembly (Rr)	.....	32207M
<b>1994-1992</b>	Vigor	
Seal (Frt)	.....	710242
Bearing Assembly (Frt)	.....	33208
Bearing Assembly (Rr)	.....	32008XM

**Extension Housing**

<b>1998-1995</b>	2.5TL (M1WA)	
Bearing Assembly	.....	32008XM[2]

**Selector Shaft Seal/Man. Shaft**

<b>2004-1990</b>		
Seal	.....	221207
Kwik Slv (Opt Rpr)	.....	KWK99049

**5-SPEED AUTOMATIC TRANSAXLE**

**Differential**

<b>2001-2000</b>	3.2TL	
Bearing Assembly	.....	32009XM[2]

**Torque Converter**

<b>2003-2001</b>	3.2CL (MGFA)	
Seal	.....	350609
<b>2003-2001</b>	3.2TL (B7WA)	
Seal	.....	350609
<b>2002</b>	RSX (MRMA)	
Seal	.....	350609
<b>2000</b>	3.2TL (M7WA)	
Seal	.....	350609

**Output Shaft**

<b>2003-2001</b>	3.2CL (MGFA)	
Seal (LH)	.....	710199
Kwik Slv (Opt Rpr) (LH)	.....	KWK99139
Seal Viton (RH)	.....	224026
Kwik Slv (Opt Rpr) (RH)	.....	KWK99157
<b>2002</b>	RSX (MRMA)	
Seal (LH)	.....	710300
Kwik Slv (Opt Rpr) (LH)	.....	KWK99157
<b>2002-2001</b>	3.2TL (B7WA)	
Seal (LH)	.....	710199
Kwik Slv (Opt Rpr) (LH)	.....	KWK99139

**5-SPEED AUTOMATIC TRANSAXLE (cont.)**

**Output Shaft (cont.)**

<b>2000</b>	3.2TL (M7WA)	
Seal Viton (RH)	.....	224026
Kwik Slv (Opt Rpr) (RH)	.....	KWK99157
Seal (LH)	.....	710199
Kwik Slv (Opt Rpr) (LH)	.....	KWK99139

**Selector Shaft Seal/Man. Shaft**

<b>2003-2000</b>	(MGFA, B7WA, M7WA)	
Seal	.....	221207
Kwik Slv (Opt Rpr)	.....	KWK99049

**5-SPEED MANUAL TRANSAXLE**

**Differential**

<b>2001-1990</b>	Integra (A1,CG,S1,SS0,S80, YS1,Y80)	
Ball Bearing	.....	208[2]
<b>1999-1998</b>	2.3CL (P2)	
Bearing Assembly (LH)	.....	33108
Bearing Assembly (RH)	.....	32008XM
<b>1997</b>	2.2CL (P2)	
Bearing Assembly (LH)	.....	33108
Bearing Assembly (RH)	.....	32008XM
<b>1996-1991</b>	NSX (J4A4)	
Bearing Assembly (RH)	.....	32011XM
<b>1995-1991</b>	Legend (K4A6)	
Bearing Assembly (RH)	.....	32207M
<b>1994-1992</b>	Vigor (L3A3)	
Cone/Cup (LH)	.....	XAA32008X-Y32008X
Bearing Assembly (RH)	.....	32010X
<b>1990</b>	Legend (C3P4, G3T4)	
Cone/Cup (LH)	.....	XAA32008X-Y32008X
Bearing Assembly (RH)	.....	32010X

**Input Shaft**

<b>2001-1990</b>	Integra (A1,S1,SS0,S80, YS1,Y80)	
Seal	.....	222830
Kwik Slv (Opt Rpr)	.....	KWK99111
<b>1997</b>	2.2CL (P2)	
Seal	.....	222830
Kwik Slv (Opt Rpr)	.....	KWK99111
<b>1994-1992</b>	Vigor (L3A3)	
Seal	.....	222830
Kwik Slv (Opt Rpr)	.....	KWK99111
<b>1994-1991</b>	NSX (J4A4)	
Seal	.....	223235
Kwik Slv (Opt Rpr)	.....	KWK99128
<b>1993-1991</b>	Legend (K4A6)	
Seal	.....	710157
Kwik Slv (Opt Rpr)	.....	KWK99103
<b>1990</b>	Legend (C3P4, G3T4)	
Seal	.....	710157
Kwik Slv (Opt Rpr)	.....	KWK99103

# Bearings and Seals

Mfg./Year    Model & Location    Part No    Mfg./Year    Model & Location    Part No

## **ACURA - FRONT DRIVE - Integra, Legend, NSX, RSX, TSX, Vigor, 2.2CL, 2.3CL, 2.5TL, 3.0CL, 3.2CL, 3.2TL, 3.5RL (cont.)**

### **5-SPEED MANUAL TRANSAXLE**

#### **Output Shaft**

<b>2001-1994</b>	Integra	
Seal (LH)	.....	223543
Kwik Slv (Opt Rpr) (LH)	.....	KWK99139
Seal (RH)	.....	224045
Kwik Slv (Opt Rpr) (RH)	.....	KWK99157
<b>1999-1998</b>	2.3CL	
Seal (LH)	.....	2007N
Kwik Slv (Opt Rpr) (LH)	.....	KWK99139
Seal (RH)	.....	3459S
Kwik Slv (Opt Rpr) (RH)	.....	KWK99157
<b>1997</b>	2.2CL	
Seal (LH)	.....	2007N
Kwik Slv (Opt Rpr) (LH)	.....	KWK99139
Seal (RH)	.....	3459S
Kwik Slv (Opt Rpr)	.....	KWK99157
<b>1996-1991</b>	NSX	
Seal (LH)	.....	710291
Kwik Slv (Opt Rpr) (LH)	.....	KWK99162
Seal (RH)	.....	224068
Kwik Slv (Opt Rpr)	.....	KWK99157
<b>1995-1991</b>	Legend	
Seal (LH)	.....	224520
Kwik Slv (Opt Rpr) (LH)	.....	KWK99177
Seal (RH)	.....	225545
Kwik Slv (Opt Rpr) (RH)	.....	KWK99215
<b>1994-1992</b>	Vigor	
Seal (LH)	.....	710173
Kwik Slv (Opt Rpr) (LH)	.....	KWK99196
Seal (RH)	.....	224025
Kwik Slv (Opt Rpr) (RH)	.....	KWK99157
<b>1993-1990</b>	Integra	
Seal (LH)	.....	224025
Kwik Slv (Opt Rpr)	.....	KWK99157
<b>1990</b>	Legend	
Seal	.....	712551[2]
Kwik Slv (Opt Rpr)	.....	KWK99157[2]

#### **Pinion**

<b>1995-1991</b>	Legend (K4A6)	
Seal (Frt)	.....	225775
<b>1994-1992</b>	Vigor (L3A3)	
Seal (Frt)	.....	710242
Bearing Assembly (Frt)	.....	33208
Bearing Assembly (Rr)	.....	32008XM

#### **Selector Shaft Seal/Man. Shaft**

<b>1999-1998</b>	2.3CL	
Seal (Top)	.....	221603
Kwik Slv (Opt Rpr)	.....	KWK99058
Seal (Side)	.....	221607
Kwik Slv (Opt Rpr)	.....	KWK99058
<b>1997</b>	2.2CL	
Seal (Top)	.....	221603
Kwik Slv (Opt Rpr)	.....	KWK99058
Seal (Side)	.....	221607
Kwik Slv (Opt Rpr)	.....	KWK99058

### **5-SPEED MANUAL TRANSAXLE (cont.)**

#### **Selector Shaft Seal/Man. Shaft (cont.)**

<b>1994-1992</b>	Vigor	
Seal (Top)	.....	710249
Kwik Slv (Opt Rpr)	.....	KWK99078
Seal (Side)	.....	221607
Kwik Slv (Opt Rpr)	.....	KWK99058

#### **Extension Housing**

<b>1994-1992</b>	Vigor	
Seal	.....	224025
Kwik Slv (Opt Rpr)	.....	KWK99157

### **6-SPEED MANUAL TRANSAXLE**

#### **Input Shaft**

<b>2000-1997</b>	NSX	
Seal	.....	223235
Kwik Slv (Opt Rpr)	.....	KWK99128

#### **Output Shaft**

<b>2000-1997</b>	NSX	
Seal (LH)	.....	710291
Kwik Slv (Opt Rpr) (LH)	.....	KWK99157
Seal (RH)	.....	224068
Kwik Slv (Opt Rpr) (RH)	.....	KWK99157

#### **Differential**

<b>2002-1997</b>	NSX	
Bearing Assembly (RH)	.....	32011XM

### **POWER STEERING**

#### **Pump Shaft**

<b>1999-1991</b>	2.2CL, 2.3CL, 3.2TL, Legend	
Seal	.....	221920
<b>1994-1992</b>	Vigor	
Seal	.....	222028
<b>1991</b>	Integra	
Seal	.....	221620
<b>1990</b>		
Seal	.....	221620

### **CAMSHAFT SEAL**

#### **4 Cylinder**

<b>2001-1994</b>	1.8L (DOHC)	
Seal	.....	222743
<b>2001-1994</b>	1.8L VTEC	
Seal	.....	1989
<b>1999-1998</b>	2.3CL	
Seal	.....	712008
<b>1997</b>	2.2CL	
Seal	.....	712008
<b>1993-1990</b>	Integra RS LS LSSP GS GSL	
Seal	.....	222743

Mfg./Year	Model & Location	Part No	Mfg./Year	Model & Location	Part No
<b>ACURA - FRONT DRIVE - Integra, Legend, NSX, RSX, TSX, Vigor, 2.2CL, 2.3CL, 2.5TL, 3.0CL, 3.2CL, 3.2TL, 3.5RL (cont.)</b>					

**CAMSHAFT SEAL**

**5 Cylinder**

1998-1995	2.5TL	
Seal		1989
1994-1992	Vigor	
Seal		1989

**6 Cylinder**

2004-1996	3.5RL	
Seal		3771[2]
2004-1991	NSX	
Seal		1989[4]
Kwik Slv (Opt Rpr)		KWK99112[4]
2003-2001	3.2CL	
Seal		710451[2]
Kwik Slv (Opt Rpr)		KWK99147[2]
2003-1999	3.2TL	
Seal		710451[2]
Kwik Slv (Opt Rpr)		KWK99147[2]
1999-1997	3.0CL	
Seal		710451
1998-1996	3.2TL	
Seal		3771
1995-1991	Legend	
Seal		3771
1990	Legend	
Seal Viton		713771

**CRANKSHAFT FRONT SEAL**

**4 Cylinder**

2001-1990	Integra	
Seal		223802
Kwik Slv (Opt Rpr)		KWK99147
1999-1998	2.3CL	
Seal		224015
Kwik Slv (Opt Rpr)		KWK99157
1997	2.2CL	
Seal		224015
Kwik Slv (Opt Rpr)		KWK99157

**5 Cylinder**

1998-1995	2.5TL	
Seal		224015
Kwik Slv (Opt Rpr)		KWK99157
1994-1992	Vigor	
Seal		224015
Kwik Slv (Opt Rpr)		KWK99157

**6 Cylinder**

2001	3.2CL	
Seal		1181
Kwik Slv (Opt Rpr)		KWK99162
2001-1996	3.2TL	
Seal		1181
Kwik Slv (Opt Rpr)		KWK99162
2001-1996	3.5RL	
Seal		1181
Kwik Slv (Opt Rpr)		KWK99162

**CRANKSHAFT FRONT SEAL (cont.)**

**6 Cylinder (cont.)**

2000-1991	NSX	
Seal		1181
Kwik Slv (Opt Rpr)		KWK99162
1999-1997	3.0CL	
Seal		1181
Kwik Slv (Opt Rpr)		KWK99162
1995-1990	Legend	
Seal		1181
Kwik Slv (Opt Rpr)		KWK99162

**CRANKSHAFT REAR SEAL**

**4 Cylinder**

2001-1990	Integra	
Seal		228015
Kwik Slv (Opt Rpr)		KWK99315
1999-1998	2.3CL	
Seal		228015
Kwik Slv (Opt Rpr)		KWK99315
1997	2.2CL	
Seal		228015
Kwik Slv (Opt Rpr)		KWK99315

**5 Cylinder**

1998-1995	2.5TL	
Seal		228015
Kwik Slv (Opt Rpr)		KWK99315
1994-1992	Vigor	
Seal		228015
Kwik Slv (Opt Rpr)		KWK99315

**6 Cylinder**

2003-2002	RSX	
Seal Viton		228008
2003-2001	3.2CL	
Seal Viton		228008
Kwik Slv (Opt Rpr)		KWK99315
2003-1996	3.2TL	
Seal Viton		228008
Kwik Slv (Opt Rpr)		KWK99315
2003-1996	3.5RL	
Seal Viton		228008
Kwik Slv (Opt Rpr)		KWK99315
2002-1991	NSX	
Seal Viton		228008
Kwik Slv (Opt Rpr)		KWK99315
1999-1997	3.0CL	
Seal Viton		228008
Kwik Slv (Opt Rpr)		KWK99315
1995-1990	Legend	
Seal Viton		228008
Kwik Slv (Opt Rpr)		KWK99315

# Bearings and Seals

Mfg./Year	Model & Location	Part No	Mfg./Year	Model & Location	Part No
-----------	------------------	---------	-----------	------------------	---------

## ACURA TRUCK - SUV - MDX, SLX

### FRONT WHEEL

<b>2005-2003 MDX</b>	
Ball Bearing .....	510085[2] <sup>25</sup>
<b>2002-2001 MDX</b>	
Ball Bearing .....	510011[2]
<b>1999-1996 SLX</b>	
Seal (Inner) .....	710168[2]
Cone (Inner) .....	32009XA[2]
Bearing Assembly (Outer) .....	32008XM[2]

### REAR WHEEL

<b>2002-2001 MDX</b>	
Ball Bearing .....	510039[2]
<b>1999-1996 SLX</b>	
Seal (Inner) .....	225230[2]
Ball Bearing (Inner) .....	511016[2]
Seal (Outer) .....	473179[2]

### 4WD FRONT AXLE

#### Axle Shaft

<b>1999-1996 SLX</b>	
Seal .....	710516[2]
Ball Bearing .....	106CC[2]

#### Differential

<b>1999-1996 SLX</b>	
Set .....	SET45[2]

#### Pinion

<b>1999-1996 SLX</b>	
Bearing Assembly (Inne .....	32307
Seal (Outer) .....	474133
Bearing Assembly (Outer) .....	30306M

### REAR AXLE

#### Differential

<b>1999-1996 SLX</b>	
Bearing Assembly .....	30210M[2]

#### Pinion

<b>1999-1996 SLX</b>	
Bearing Assembly (Inne .....	32307
Seal (Outer) .....	710248
Bearing Assembly (Outer) .....	32332C

### 4-SPEED AUTOMATIC TRANSMISSION

#### Torque Converter

<b>1999-1996 SLX</b>	
Seal .....	3227
Kwik Slv (Opt Rpr) .....	KWK99174

### 4-SPEED AUTOMATIC TRANSMISSION

#### Rear Seal/Ext. Housing

<b>1999-1996 SLX</b>	
Seal .....	3459S

#### Selector Shaft Seal/Man. Shaft

<b>1999-1996 SLX</b>	
Seal .....	8792S

### 5-SPEED AUTOMATIC TRANSAXLE

#### Torque Converter

<b>2004-2003 (MDKA)</b>	
Seal .....	710238
<b>2002-2001 (BGHA, MGHA)</b>	
Seal .....	350609

#### Output Shaft

<b>2002-2001 (BGHA, MGHA)</b>	
Seal (LH) .....	710199
Kwik Slv (Opt Rpr) (LH) .....	KWK99139
Seal (RH) .....	710300
Kwik Slv (Opt Rpr) (RH) .....	KWK99157

#### Selector Shaft Seal/Man. Shaft

<b>2004-2003 (MDKA)</b>	
Seal .....	221207
Kwik Slv (Opt Rpr) .....	KWK99049
<b>2002-2001 (BGHA, MGHA)</b>	
Seal .....	221207
Kwik Slv (Opt Rpr) .....	KWK99049

### POWER STEERING

#### Pump Shaft

<b>1999-1996 SLX</b>	
Seal Viton .....	222036

### OIL PUMP

#### 6 Cylinder

<b>2002-2001 3474cc/3.5L</b>	
Seal .....	711181

### CAMSHAFT SEAL

#### 6 Cylinder

<b>2002-2001 3471cc/3.5L</b>	
Seal Viton .....	713771[2]
Kwik Slv (Opt Rpr) .....	KWK99315
<b>1999-1998 3496cc/3.5L</b>	
Seal .....	1981[4]
Kwik Slv (Opt Rpr) .....	KWK99114[4]
<b>1997-1996 3165cc/3.2</b>	
Seal .....	1981[2]
Kwik Slv (Opt Rpr) .....	KWK99114[2]



Mfg./Year	Model & Location	Part No	Mfg./Year	Model & Location	Part No
<b>ACURA TRUCK - SUV - MDX, SLX (cont.)</b>					

### CRANKSHAFT FRONT SEAL

#### 6 Cylinder

1999-1996 3165cc/3.2, 3494cc/3.5L  
 Seal ..... 224025  
 Kwik Slv (Opt Rpr) .....KWK99157

### CRANKSHAFT REAR SEAL

#### 6 Cylinder

2002-2001 3471cc/3.5L  
 Seal Viton ..... 228008  
 Kwik Slv (Opt Rpr) .....KWK99315  
 1999-1996 3165cc/3.2, 3494cc/3.5L  
 Seal ..... 710060  
 Kwik Slv (Opt Rpr) .....KWK99364

## ALFA ROMEO - Spider, 164

### FRONT WHEEL

1994-1990 Spider  
 Seal (Inner) ..... 224100[2]  
 Bearing Assembly (Inne ..... 30206M[2]  
 Bearing Assembly  
 (Outer) ..... 32303[2]

### REAR WHEEL

1994-1990 Spider  
 Seal ..... 223035[2]  
 Ball Bearing ..... 88107[2]

### REAR AXLE

#### Differential

1993-1991 164  
 Bearing Assembly ..... 32009XM[2]  
 1993-1990 Spider 2000, Graduate,  
 Quadrifoglio, Veloce  
 Cone/Cup ..... 28150-28300[2]

### 4-SPEED AUTOMATIC TRANSMISSION

#### Torque Converter

1990 (ZF4HP22)  
 Seal ..... 224052  
 Kwik Slv (Opt Rpr) .....KWK99157

#### Rear Seal/Ext. Housing

1990 (ZF4HP22)  
 Seal ..... 3459S

### CLUTCH

#### Release Bearing

1994-1990 Spider 2000  
 Bearing Assembly ..... 614100

### 4-SPEED AUTOMATIC TRANSAXLE

#### Differential

1995-1991 (ZF4HP18Q)  
 Cone/Cup (RH) ..... LM300849-LM300811  
 Cone/Cup (LH) ..... LM806649-LM806610

### CRANKSHAFT FRONT SEAL

#### 4 Cylinder

1994-1990 1962cc/2.0L  
 Seal ..... 223520  
 Kwik Slv (Opt Rpr) .....KWK99139

#### 6 Cylinder

1995-1991 2959cc/3.0L  
 Seal ..... 223520  
 Kwik Slv (Opt Rpr) .....KWK99139

### CRANKSHAFT REAR SEAL

#### 4 Cylinder

1994-1990 1962cc/2.0L  
 Seal ..... 228480  
 Kwik Slv (Opt Rpr) .....KWK99328

#### 6 Cylinder

1995-1991 2959cc/3.0L  
 Seal ..... 228480  
 Kwik Slv (Opt Rpr) .....KWK99328

# Bearings and Seals

Mfg./Year	Model & Location	Part No	Mfg./Year	Model & Location	Part No
-----------	------------------	---------	-----------	------------------	---------

## ASTON MARTIN

### FRONT WHEEL

<b>1993-1990</b>	Virage	
	Set (Inner) .....	SET17[2]
	Set (Outer) .....	SET8[2]
<b>1992-1990</b>	Lagonda	
	Set (Inner) .....	SET17[2]
	Set (Outer) .....	SET8[2]
<b>1992-1990</b>	Volante	
	Set (Inner) .....	SET17[2]
	Set (Outer) .....	SET8[2]

### REAR WHEEL

<b>1993-1990</b>	Virage	
	Bearing Assembly .....	JXC25469C[2]
<b>1990</b>	Virage	
	Set .....	SET37[2]
<b>1990</b>	Lagonda	
	Set .....	SET37[2]
<b>1990</b>	V8	
	Set .....	SET37[2]
<b>1990</b>	Volante	
	Set .....	SET37[2]

### REAR AXLE

#### Axle Shaft

<b>1993-1990</b>	DBS, Lagonda, Vantage, Virage, Volante, V8	
	Set .....	SET17[2]

#### Differential

<b>1993</b>	Lagonda, Vantage, Virage, Volante, V8	
	Cone/Cup .....	25577C-25523[2]
<b>1992-1990</b>	DBS, Lagonda, Vantage, Virage, Volante, V8	
	Cone/Cup .....	25577-25523[2]

#### Pinion

<b>1992-1990</b>	Virage	
	Cone/Cup (Inner) .....	HM89446-HM89410
	Cone/Cup (Outer) .....	M88043-M88010
<b>1992-1990</b>	Vantage	
	Cone/Cup (Inner) .....	HM89446-HM89410
	Cone/Cup (Outer) .....	M88043-M88010
<b>1990</b>	Lagonda	
	Cone/Cup (Inner) .....	HM89446-HM89410
	Cone/Cup (Outer) .....	M88043-M88010
<b>1990</b>	V8	
	Cone/Cup (Inner) .....	HM89446-HM89410
	Cone/Cup (Outer) .....	M88043-M88010
<b>1990</b>	Volante	
	Cone/Cup (Inner) .....	HM89446-HM89410
	Cone/Cup (Outer) .....	M88043-M88010

### 3-SPEED AUTOMATIC TRANSMISSION

#### Torque Converter

<b>1993-1990</b>	(A727)	
	Seal .....	331227H
	Kwik Slv (Opt Rpr) .....	KWK99187

### Rear Seal/Ext. Housing

<b>1993-1990</b>	(A727)	
	Seal .....	7300S
	Ball Bearing .....	207XLO
	Seal Kit .....	5206 <sup>64</sup>

### 4-SPEED AUTOMATIC TRANSMISSION

#### Torque Converter

<b>1997</b>	(4L80E)	
	Seal .....	4598
	Kwik Slv (Opt Rpr) .....	KWK99199

### Rear Seal/Ext. Housing

<b>1997</b>	(4L80E)	
	Seal .....	9449
	Seal Kit .....	5208 <sup>64</sup>

### Selector Shaft Seal/Man. Shaft

<b>1997</b>	(4L80E)	
	Seal .....	8792S

### Output Shaft

<b>1997</b>	(4L80E)	
	Seal .....	4934

**FRONT WHEEL**

2004-2000	TT, TT Quattro	
	Ball Bearing .....	510003[2]
2004-1999	A8 A8 Quattro (2nd Design)	
	Ball Bearing .....	510020[2]
2004-1996	A4 Quattro (2nd Design)	
	Ball Bearing .....	510019[2]
2004-1996	A4 V6 (2nd Design)	
	Ball Bearing .....	510019[2]
2004-1995	A6 A6 Quattro	
	Ball Bearing .....	510020[2]
2003-2001	S8	
	Ball Bearing .....	510020[2]
2002-2000	A4 V6 (1st Design)	
	Ball Bearing 72mm O. ....	510069[2]
2002-1997	A8 A8 Quattro (1st Design)	
	Ball Bearing 75mm O. ....	510069[2]
2002-1996	A4 (4 Cyl.)	
	Ball Bearing 82mm O. ....	510020[2]
1998-1994	Cabriolet	
	Ball Bearing .....	510020[2]
1996	A4 Quattro (1st Design)	
	Ball Bearing 75mm O. ....	510069[2]
1994-1992	V8 Quattro	
	Ball Bearing .....	510019[2]
1991-1990	V8 Quattro	
	Ball Bearing .....	510020[2]

**REAR WHEEL**

2004-2002	A4	
	Hub Assembly .....	512231[2]
2004-2000	A6 Quattro Sedan V8	
	Ball Bearing .....	510020[2]
2004-2000	TT	
	Hub Assembly .....	512012[2]
2004-2000	TT Quattro	
	Ball Bearing .....	510003[2]
2004-1998	A6	
	Hub Assembly Update	
	Sept 05 .....	512187[2] <sup>25</sup>
2004-1998	A6 Quattro Wagon	
	Ball Bearing .....	510020[2]
2004-1997	A8 A8 Quattro	
	Ball Bearing .....	510020[2]
2004-1996	A4 Quattro	
	Ball Bearing .....	510019[2]
2004-1995	A6 Quattro Sedan V6	
	Ball Bearing .....	510019[2]
	Set (Outer) .....	SET2[2]
2003-2001	S8	
	Ball Bearing .....	510020[2]
2002	A6 Quattro Sedan	
	Ball Bearing .....	510019[2]
2001-1996	A4	
	Seal (Inner) .....	1962[2]
	Set (Inner) .....	SET8[2]
	Set (Outer) .....	SET2[2]
1998-1994	Cabriolet	
	Seal (Inner) .....	1962[2]
	Set (Inner) .....	SET8[2]
	Set (Outer) .....	SET2[2]

**REAR WHEEL (cont.)**

1997-1995	A6	
	Seal (Inner) .....	1962[2]
	Set (Inner) .....	SET8[2]
	Set (Outer) .....	SET2[2]
	Ball Bearing Opt .....	510020[2]
1994-1990	V8 Quattro	
	Ball Bearing .....	510019[2]

**REAR AXLE**

**Differential**

2004-2002	A4, A6, A8, TT Quattro Models	
	Cone/Cup (LH) .....	LM300849-LM300811
2001-1995	A4, A6, A8, TT Quattro Models	
	Cone/Cup (LH) .....	LM300849-LM300811
	Seal (RH) .....	224520
	Set (RH) .....	SET45
	Kwik Slv (Opt Rpr) (RH) .....	KWK99177
1994-1990	V8 Quattro	
	Set (LH) .....	SET37
	Seal (RH) .....	224520
	Set (RH) .....	SET45
	Kwik Slv (Opt Rpr) (RH) .....	KWK99177

**Pinion**

2004-1990		
	Cone/Cup (Inner) .....	HM801346X-HM801310
	Cone/Cup (Outer) .....	M88048-M88010

**CLUTCH - 4 CYLINDER**

**Pilot Bearing**

2002-1997	1781cc/1.8L (DOHC)	
	Needle Bearing .....	F85265

**CLUTCH - 6 CYLINDER**

**Pilot Bearing**

2002-1994	2671cc/2.7L, 2771cc/2.8L, 2976cc/3.0	
	Bearing Only .....	F212285

**CLUTCH - 8 CYLINDER**

**Pilot Bearing**

2002-1990	3562cc/3.6L, 4172cc/4.2L	
	Bearing Only .....	F212285

**CLUTCH - 4 CYLINDER**

**Release Bearing**

2002-2000	1781cc./1.8L (220mm Cl.)	
	Bearing Assembly .....	614111
2002-1997	1781cc./1.8L (228mm Cl.)	
	Bearing Assembly .....	614073

<sup>25</sup>New Item, Check For Availability

# Bearings and Seals

Mfg./Year	Model & Location	Part No	Mfg./Year	Model & Location	Part No
-----------	------------------	---------	-----------	------------------	---------

## AUDI - A4, A6, A8, Cabriolet, S8, TT, V8 Quattro (cont.)

### CLUTCH - 6 CYLINDER

#### Release Bearing

2002-1994	2671cc/2.7L, 2771cc/2.8L, 2976cc/3.0	
Bearing Assembly		614073

### CLUTCH - 8 CYLINDER

#### Release Bearing

1991-1990	3562cc/3.6L	
Bearing Assembly		614073

### 3-SPEED AUTOMATIC TRANSAXLE

#### Torque Converter

1991-1990	(VW 087, 089)	
Seal		3083
Kwik Slv (Opt Rpr)		KWK99169

#### Output Shaft

1991-1990	(VW 003, 087, 089)	
Seal		224520[2]
Kwik Slv (Opt Rpr)		KWK99177[2]

#### Differential

1991-1990	(VW 003, 087)	
Cone/Cup		LM300849-LM300811[2]
1990	(VW 089)	
Cone/Cup		LM29749-LM29710[2]

#### Pinion

1991-1990	(VW 087)	
Seal (Inner)		1012N
Cone/Cup (Inner)		M86649-M86610
Seal (Outer)		222820
Cone/Cup (Outer)		M88048-M88010
Kwik Slv (Opt Rpr)		KWK99177
1990	(VW 089)	
Seal (Inner)		239146
Cone/Cup (Inner)		M86649-M86610
Seal (Outer)		222535
Cone/Cup (Outer)		M86649-M86610
Kwik Slv (Opt Rpr)		KWK99098

### 4-SPEED AUTOMATIC TRANSAXLE

#### Differential

1998-1992	(ZF 4HP 18)	
Cone/Cup (LH)		LM806649-LM806610
Cone/Cup (RH)		LM300849-LM300811
1998-1991	(VW 097)	
Cone/Cup		LM503349A-LM503310[2]
1994-1991	(VW 095)	
Cone/Cup		LM300849-LM300811[2]

### 4-SPEED AUTOMATIC TRANSAXLE

#### Torque Converter

1998-1992	(ZF 4HP 18)	
Seal		225110
Kwik Slv (Opt Rpr)		KWK99177
1994-1991	(VW 095)	
Seal		225110
Kwik Slv (Opt Rpr)		KWK99177

#### Output Shaft

1994-1991	(VW 095)	
Seal		225010[2]
Kwik Slv (Opt Rpr)		KWK99196[2]

#### Pinion

1998-1991	(VW 097)	
Bearing Assembly (Inne		513185
Cone/Cup (Outer)		LM29749-LM29710

### 5-SPEED AUTOMATIC TRANSAXLE

#### Torque Converter

2002-1996	(ZF5HP19, ZF5HP24A)	
Seal		224052
Kwik Slv (Opt Rpr)		KWK99157

### 5-SPEED MANUAL TRANSAXLE

#### Differential

2001-1990	(VW 016, 01E, 012, 093)	
Set (LH)		SET45
Cone/Cup (RH)		LM300849-LM300811

#### Input Shaft

2001-1990	(VW 016, 01E, 012, 093)	
Seal		222540
Kwik Slv (Opt Rpr)		KWK99098

#### Output Shaft

2001-1990	(VW 016, 01E, 012, 093)	
Seal		224520[2]
Kwik Slv (Opt Rpr)		KWK99177[2]

### CAMSHAFT SEAL

#### 4 Cylinder

2003-1997	1781cc/1.8L (DOHC)	
Seal		3476S[2]
Kwik Slv (Opt Rpr)		KWK99128[2]

#### 6 Cylinder

2003-1994	2671cc/2.7L, 2771cc/2.8L, 2976cc/3.0L	
Seal		3476S[4]
Kwik Slv (Opt Rpr)		KWK99128[4]

Mfg./Year	Model & Location	Part No	Mfg./Year	Model & Location	Part No
-----------	------------------	---------	-----------	------------------	---------

**AUDI - A4, A6, A8, Cabriolet, S8, TT, V8 Quattro (cont.)**

### CAMSHAFT SEAL

#### 8 Cylinder

2003-1997	3697cc/3.7L, 4172cc/4.2L	
Seal Viton	.....	1108
Kwik Slv (Opt Rpr)	.....	KWK99139
1996-1990	3562cc/3.6L, 4172cc/4.2L	
Seal	.....	3476S[4]
Kwik Slv (Opt Rpr)	.....	KWK99128[4]

### CRANKSHAFT FRONT SEAL

#### 4 Cylinder

2003-2000	1781cc/1.8L (DOHC)	
Seal Viton	.....	1108
Kwik Slv (Opt Rpr)	.....	KWK99139
1999-1997	1781cc/1.8L (DOHC)	
Seal	.....	3476S
Kwik Slv (Opt Rpr)	.....	KWK99128

#### 6 Cylinder

2003-1994	2671cc/2.7L, 2771cc/2.8L, 2976cc/3.0L	
Seal Viton	.....	1108
Kwik Slv (Opt Rpr)	.....	KWK99139

### CRANKSHAFT FRONT SEAL

#### 8 Cylinder

2002-1997	4172cc/4.2L	
Seal Viton	.....	1108
Kwik Slv (Opt Rpr)	.....	KWK99139
1994-1990	3562cc/3.6L, 4172cc/4.2L	
Seal Viton	.....	1108
Kwik Slv (Opt Rpr)	.....	KWK99139

### CRANKSHAFT REAR SEAL

#### 4 Cylinder

2000-1997	1781cc/1.8L	
Seal	.....	716102
Kwik Slv (Opt Rpr)	.....	KWK99333

#### 6 Cylinder

2002-1994	2671cc/2.7L, 2771cc/2.8L	
Seal	.....	716102
Kwik Slv (Opt Rpr)	.....	KWK99333

#### 8 Cylinder

1994-1990	3562cc/3.6L, 4172cc/4.2L	
Seal	.....	716102
Kwik Slv (Opt Rpr)	.....	KWK99333

## AUDI - Quattro Coupe

### FRONT WHEEL

1991-1990	Quattro Coupe	
Ball Bearing	.....	510020[2]

### REAR WHEEL

1991-1990	Quattro Coupe	
Ball Bearing	.....	510020[2]

### REAR AXLE

#### Differential

1992-1990		
Set (LH)	.....	SET37
Set (RH)	.....	SET45

#### Pinion

1992-1990		
Cone/Cup (Inner)	.....	HM801346X-HM801310
Cone/Cup (Outer)	.....	M88048-M88010

### CLUTCH

#### Pilot Bearing

1991-1990	Quattro Coupe	
Ball Bearing	.....	202FF

### CLUTCH

#### Release Bearing

1991-1990	Quattro Coupe	
Bearing Assembly	.....	614073

### 3-SPEED AUTOMATIC TRANSAXLE

#### Torque Converter

1991-1990	(VW 087, 089)	
Seal	.....	3083
Kwik Slv (Opt Rpr)	.....	KWK99169

#### Output Shaft

1991-1990	(VW 003, 087, 089)	
Seal	.....	224520[2]
Kwik Slv (Opt Rpr)	.....	KWK99177[2]

#### Differential

1991-1990	(VW 003, 087)	
Cone/Cup	.....	LM300849-LM300811[2]
1990	(VW 089)	
Cone/Cup	.....	LM29749-LM29710[2]

# Bearings and Seals

Mfg./Year    Model & Location    Part No    Mfg./Year    Model & Location    Part No

## **AUDI - Quattro Coupe (cont.)**

### **3-SPEED AUTOMATIC TRANSAXLE**

#### **Pinion**

1991-1990 (VW 087)  
 Seal (Inner) ..... 1012N  
 Cone/Cup (Inner) ..... M86649-M86610  
 Seal (Outer) ..... 222820  
 Cone/Cup (Outer) ..... M88048-M88010  
 Kwik Slv (Opt Rpr) .....KWK99177  
 1990 (VW 089)  
 Seal (Inner) ..... 239146  
 Cone/Cup (Inner) ..... M86649-M86610  
 Seal (Outer) ..... 222535  
 Cone/Cup (Outer) ..... M86649-M86610  
 Kwik Slv (Opt Rpr) .....KWK99098

### **4-SPEED AUTOMATIC TRANSAXLE**

#### **Differential**

1994-1991 (VW 095)  
 Cone/Cup ..... LM300849-LM300811[2]

#### **Torque Convertor**

1994-1991 (VW 095)  
 Seal ..... 225110  
 Kwik Slv (Opt Rpr) .....KWK99177

#### **Output Shaft**

1994-1991 (VW 095)  
 Seal ..... 225010[2]  
 Kwik Slv (Opt Rpr) .....KWK99196[2]

#### **Pinion**

1998-1991 (VW 097)  
 Bearing Assembly (Inne ..... 513185  
 Cone/Cup (Outer) ..... LM29749-LM29710

### **5-SPEED MANUAL TRANSAXLE**

#### **Input Shaft**

2001-1990 (VW 016, 01E, 012, 093)  
 Seal ..... 222540  
 Kwik Slv (Opt Rpr) .....KWK99098

### **5-SPEED MANUAL TRANSAXLE**

#### **Output Shaft**

2001-1990 (VW 016, 01E, 012, 093)  
 Seal ..... 224520[2]  
 Kwik Slv (Opt Rpr) .....KWK99177[2]

### **CRANKSHAFT FRONT SEAL**

#### **5 Cylinder**

1991-1990 1986cc/2.0L, 2144cc/2.2L,  
 2226cc/2.2L, 2309cc/2.3L  
 Seal Viton ..... 1108  
 Kwik Slv (Opt Rpr) .....KWK99139

### **CRANKSHAFT REAR SEAL**

#### **5 Cylinder**

1991-1990 1986cc/2.0L, 2144cc/2.2L,  
 2226cc/2.2L, 2309cc/2.3L  
 Seal ..... 716102  
 Kwik Slv (Opt Rpr) .....KWK99333

## **AUDI - S4, S6, RS6**

### **FRONT WHEEL**

2004-2002 S4  
 Ball Bearing ..... 510019[2]  
 2004-2002 S6  
 Ball Bearing ..... 510020[2]  
 2001-2000 S4  
 Ball Bearing ..... 510020[2]  
 2001-1995 S6  
 Ball Bearing ..... 510019[2]  
 1994-1992 S4  
 Ball Bearing ..... 510019[2]

### **REAR WHEEL**

2004-2000 S4  
 Ball Bearing ..... 510019[2]  
 2002-1995 S6  
 Ball Bearing ..... 510019[2]  
 1994-1992 S4  
 Ball Bearing ..... 510019[2]

**REAR AXLE**

**Differential**

2004-2002 S4  
 Cone/Cup (LH) ..... LM300849-LM300811  
 2001-2000 S4  
 Cone/Cup (LH) ..... LM300849-LM300811  
 Seal (RH) ..... 224520  
 Set (RH) ..... SET45  
 Kwik Slv (Opt Rpr) (RH) .....KWK99177

**Pinion**

2004-2000 S4  
 Cone/Cup (Inner) ..... HM801346X-HM801310  
 Cone/Cup (Outer) ..... M88048-M88010

**CLUTCH - 6 CYLINDER**

**Pilot Bearing**

2002-2000 2671cc/2.7L  
 Bearing Only ..... F212285

**CLUTCH**

**Pilot Bearing**

1990 4 Cyl.  
 Bushing .....PB23

**CLUTCH - 6 CYLINDER**

**Release Bearing**

2002-2000 2671cc/2.7L  
 Bearing Assembly ..... 614073

**3-SPEED AUTOMATIC TRANSAXLE**

**Torque Converter**

1991-1990 (VW 087, 089)  
 Seal .....3083  
 Kwik Slv (Opt Rpr) .....KWK99169

**Output Shaft**

1991-1990 (VW 003, 087, 089)  
 Seal ..... 224520[2]  
 Kwik Slv (Opt Rpr) .....KWK99177[2]

**Differential**

1991-1990 (VW 003, 087)  
 Cone/Cup ..... LM300849-LM300811[2]  
 1990 (VW 089)  
 Cone/Cup ..... LM29749-LM29710[2]

**3-SPEED AUTOMATIC TRANSAXLE**

**Pinion**

1991-1990 (VW 087)  
 Seal (Inner) ..... 1012N  
 Cone/Cup (Inner) ..... M86649-M86610  
 Seal (Outer) ..... 222820  
 Cone/Cup (Outer) ..... M88048-M88010  
 Kwik Slv (Opt Rpr) .....KWK99177  
 1990 (VW 089)  
 Seal (Inner) ..... 239146  
 Cone/Cup (Inner) ..... M86649-M86610  
 Seal (Outer) ..... 222535  
 Cone/Cup (Outer) ..... M86649-M86610  
 Kwik Slv (Opt Rpr) .....KWK99098

**4-SPEED AUTOMATIC TRANSAXLE**

**Differential**

1998-1992 (ZF 4HP 18)  
 Cone/Cup (LH) ..... LM806649-LM806610  
 Cone/Cup (RH) ..... LM300849-LM300811  
 1998-1991 (VW 097)  
 Cone/Cup ..... LM503349A-LM503310[2]  
 1994-1991 (VW 095)  
 Cone/Cup ..... LM300849-LM300811[2]

**Torque Converter**

1998-1992 (ZF 4HP 18)  
 Seal ..... 225110  
 Kwik Slv (Opt Rpr) .....KWK99177  
 1994-1991 (VW 095)  
 Seal ..... 225110  
 Kwik Slv (Opt Rpr) .....KWK99177

**Output Shaft**

1994-1991 (VW 095)  
 Seal ..... 225010[2]  
 Kwik Slv (Opt Rpr) .....KWK99196[2]

**Pinion**

1998-1991 (VW 097)  
 Bearing Assembly (Inne ..... 513185  
 Cone/Cup (Outer) ..... LM29749-LM29710

**5-SPEED AUTOMATIC TRANSAXLE**

**Torque Converter**

2002-2000 (ZF5HP19, ZF5HP24A)  
 Seal ..... 224052  
 Kwik Slv (Opt Rpr) .....KWK99157

**5-SPEED MANUAL TRANSAXLE**

**Differential**

2001-1990 (VW 016, 01E, 012, 093)  
 Set (LH) ..... SET45  
 Cone/Cup (RH) ..... LM300849-LM300811



# Bearings and Seals

Mfg./Year	Model & Location	Part No	Mfg./Year	Model & Location	Part No
-----------	------------------	---------	-----------	------------------	---------

## AUDI - S4, S6, RS6 (cont.)

### 5-SPEED MANUAL TRANSAXLE

#### Input Shaft

2001-1990	(VW 016, 01E, 012, 093)	
Seal	.....	222540
Kwik Slv (Opt Rpr)	.....	KWK99098

#### Output Shaft

2001-1990	(VW 016, 01E, 012, 093)	
Seal	.....	224520[2]
Kwik Slv (Opt Rpr)	.....	KWK99177[2]

### CAMSHAFT SEAL

#### 5 Cylinder

1997-1992	2226cc/2.2L DOHC	
Seal	.....	3476S
Kwik Slv (Opt Rpr)	.....	KWK99128

#### 6 Cylinder

2002-2000	2671cc/2.7L	
Seal	.....	3476S[4]
Kwik Slv (Opt Rpr)	.....	KWK99128[4]

#### 8 Cylinder

2003-2002	4172cc/4.2L	
Seal	.....	3476S
Kwik Slv (Opt Rpr)	.....	KWK99128

### CRANKSHAFT FRONT SEAL

#### 5 Cylinder

1997-1992	2226cc/2.2L (DOHC)	
Seal Viton	.....	1108
Kwik Slv (Opt Rpr)	.....	KWK99139

#### 6 Cylinder

2002-2000	2671cc/2.7L	
Seal Viton	.....	1108
Kwik Slv (Opt Rpr)	.....	KWK99139

#### 8 Cylinder

2003-2002	4172cc/4.2L	
Seal Viton	.....	1108
Kwik Slv (Opt Rpr)	.....	KWK99139

### CRANKSHAFT REAR SEAL

#### 5 Cylinder

1997-1992	2226cc/2.2L (DOHC)	
Seal	.....	716102
Kwik Slv (Opt Rpr)	.....	KWK99333

#### 6 Cylinder

2002-2000	2671cc/2.7L	
Seal	.....	716102
Kwik Slv (Opt Rpr)	.....	KWK99333

## AUDI - 80, 80 Quattro, 90, 90 Quattro, 100, 100 Quattro, 200, 200 Quattro

### FRONT WHEEL

1995-1990	90 Quattro	
Ball Bearing	.....	510019[2]
1995-1990	90	
Set	.....	SET39[2]
1994-1992	100	
Ball Bearing	.....	510019[2]
1994-1992	100 Quattro	
Ball Bearing	.....	510019[2]
1992-1990	80	
Set	.....	SET39[2]
1992-1990	80 Quattro	
Ball Bearing	.....	510020[2]
1991-1990	100 (A/T)	
Ball Bearing	.....	513242[2]
1991-1990	100 (M/T)	
Ball Bearing	.....	510020[2]
1991-1990	200 (A/T)(Turbo)	
Ball Bearing	.....	513242[2]
1991-1990	200 (M/T)(Turbo)	
Ball Bearing	.....	510020[2]

### REAR WHEEL

1995-1990	90 (Disc Brks.)	
Seal (Inner)	.....	1962[2]
Set (Inner)	.....	SET8[2]
Set (Outer)	.....	SET2[2]
1995-1990	90 Quattro	
Ball Bearing	.....	510020[2]
1994-1990	100	
Seal (Inner)	.....	1962[2]
Set (Inner)	.....	SET8[2]
Set (Outer)	.....	SET2[2]
1994-1990	100 Quattro	
Ball Bearing	.....	510019[2]
1992-1990	80 Quattro	
Ball Bearing	.....	510020[2]
1992-1990	80 (Disc Brks.)	
Seal (Inner)	.....	1962[2]
Set (Inner)	.....	SET8[2]
Set (Outer)	.....	SET2[2]
1991-1990	200 (Turbo)	
Seal (Inner)	.....	1962[2]
Set (Inner)	.....	SET8[2]
Set (Outer)	.....	SET2[2]

Mfg./Year	Model & Location	Part No	Mfg./Year	Model & Location	Part No
<b>AUDI - 80, 80 Quattro, 90, 90 Quattro, 100, 100 Quattro, 200, 200 Quattro</b>					
<b>(cont.)</b>					

### REAR WHEEL (cont.)

1991-1990	200 (Turbo) Quattro	
	Ball Bearing	510019[2]

### FRONT AXLE

#### Differential

1993-1990	100 Quattro	
	Set (LH)	SET45
	Cone/Cup (RH)	LM300849-LM300811
1993-1990	90 Quattro	
	Set (LH)	SET45
	Cone/Cup (RH)	LM300849-LM300811
1992-1990	80 Quattro	
	Set (LH)	SET45
	Cone/Cup (RH)	LM300849-LM300811
1991	100 (A/T)	
	Cone/Cup	LM503349-LM503310[2]
1991	80 (A/T)	
	Cone/Cup	LM503349-LM503310[2]
1991	80 (M/T)	
	Set (LH)	SET45
	Cone/Cup (RH)	LM300849-LM300811
1991	90 (A/T)	
	Cone/Cup	LM503349-LM503310[2]
1991-1990	200 (Turbo)	
	Set (LH)	SET45
	Cone/Cup (RH)	LM300849-LM300811
1991-1990	200 (Turbo) Quattro	
	Set (LH)	SET45
	Cone/Cup (RH)	LM300849-LM300811
1990	80 (A/T)	
	Cone/Cup	LM300849-LM300811[2]
1990	80 (M/T)	
	Set (LH)	SET45
	Cone/Cup (RH)	LM300849-LM300811
1990	90 (A/T)	
	Cone/Cup	LM300849-LM300811[2]

#### Pinion

1991	100 (A/T)	
	Cone/Cup (Inner)	LM29749-LM29710
	Cone/Cup (Outer)	LM78349-LM78310A
1991	80 (A/T)	
	Cone/Cup (Inner)	LM29749-LM29710
	Cone/Cup (Outer)	LM78349-LM78310A
1991	90 (A/T)	
	Cone/Cup (Inner)	LM29749-LM29710
	Cone/Cup (Outer)	LM78349-LM78310A
1991-1990	200 (Turbo)(A/T)	
	Cone/Cup (Inner)	M86649-M86610
	Cone/Cup (Outer)	M86649-M86610
1991-1990	80 (M/T)	
	Cone/Cup (Inner)	JLM104942A-JLM104914
	Cone/Cup (Outer)	HM88644A-HM88615
1990	100 (A/T)	
	Cone/Cup (Inner)	M86649-M86610
	Cone/Cup (Outer)	M86649-M86610

### FRONT AXLE (cont.)

#### Pinion (cont.)

1990	80 (A/T)	
	Cone/Cup (Inner)	M86649-M86610
	Cone/Cup (Outer)	M86649-M86610
1990	90 (A/T)	
	Cone/Cup (Inner)	M86649-M86610
	Cone/Cup (Outer)	M86649-M86610

### REAR AXLE

#### Differential

1992-1990		
	Set (LH)	SET37
	Set (RH)	SET45

#### Pinion

1992-1990		
	Cone/Cup (Inner)	HM801346X-HM801310
	Cone/Cup (Outer)	M88048-M88010

### CLUTCH

#### Pilot Bearing

1990	4 Cyl.	
	Bushing	PB23
1990	5 Cyl.	
	Needle Bearing	F85706

#### Release Bearing

1995-1990	90	
	Bearing Assembly	614073
1994-1990	100	
	Bearing Assembly	614073
1992-1990	80	
	Bearing Assembly	614073
1991-1990	200 (Turbo)	
	Bearing Assembly	614073

### 3-SPEED AUTOMATIC TRANSAXLE

#### Torque Converter

1991-1990	(VW 087, 089)	
	Seal	3083
	Kwik Slv (Opt Rpr)	KWK99169

#### Output Shaft

1991-1990	(VW 003, 087, 089)	
	Seal	224520[2]
	Kwik Slv (Opt Rpr)	KWK99177[2]

#### Differential

1991-1990	(VW 003, 087)	
	Cone/Cup	LM300849-LM300811[2]
1990	(VW 089)	
	Cone/Cup	LM29749-LM29710[2]

# Bearings and Seals

Mfg./Year	Model & Location	Part No	Mfg./Year	Model & Location	Part No
<b>AUDI - 80, 80 Quattro, 90, 90 Quattro, 100, 100 Quattro, 200, 200 Quattro</b>					
<b>(cont.)</b>					

## 3-SPEED AUTOMATIC TRANSAXLE

### Pinion

<b>1991-1990</b> (VW 087)	
Seal (Inner) .....	1012N
Cone/Cup (Inner) .....	M86649-M86610
Seal (Outer) .....	222820
Cone/Cup (Outer) .....	M88048-M88010
Kwik Slv (Opt Rpr) .....	KWK99177
<b>1990</b> (VW 089)	
Seal (Inner) .....	239146
Cone/Cup (Inner) .....	M86649-M86610
Seal (Outer) .....	222535
Cone/Cup (Outer) .....	M86649-M86610
Kwik Slv (Opt Rpr) .....	KWK99098

## 4-SPEED AUTOMATIC TRANSAXLE

### Differential

<b>1998-1992</b> (ZF 4HP 18)	
Cone/Cup (LH) .....	LM806649-LM806610
Cone/Cup (RH) .....	LM300849-LM300811
<b>1998-1991</b> (VW 097)	
Cone/Cup .....	LM503349A-LM503310[2]
<b>1994-1991</b> (VW 095)	
Cone/Cup .....	LM300849-LM300811[2]

### Torque Converter

<b>1998-1992</b> (ZF 4HP 18)	
Seal .....	225110
Kwik Slv (Opt Rpr) .....	KWK99177
<b>1994-1991</b> (VW 095)	
Seal .....	225110
Kwik Slv (Opt Rpr) .....	KWK99177

### Output Shaft

<b>1994-1991</b> (VW 095)	
Seal .....	225010[2]
Kwik Slv (Opt Rpr) .....	KWK99196[2]

### Pinion

<b>1998-1991</b> (VW 097)	
Bearing Assembly (Inne) .....	513185
Cone/Cup (Outer) .....	LM29749-LM29710

## 5-SPEED MANUAL TRANSAXLE

### Differential

<b>2001-1990</b> (VW 016, 01E, 012, 093)	
Set (LH) .....	SET45
Cone/Cup (RH) .....	LM300849-LM300811

### Input Shaft

<b>2001-1990</b> (VW 016, 01E, 012, 093)	
Seal .....	222540
Kwik Slv (Opt Rpr) .....	KWK99098

## 5-SPEED MANUAL TRANSAXLE

### Output Shaft

<b>2001-1990</b> (VW 016, 01E, 012, 093)	
Seal .....	224520[2]
Kwik Slv (Opt Rpr) .....	KWK99177[2]

## CAMSHAFT SEAL

### 6 Cylinder

<b>1995-1992</b> 2771cc/2.8L	
Seal .....	3476S
Kwik Slv (Opt Rpr) .....	KWK99128

## CRANKSHAFT FRONT SEAL

### 4 Cylinder

<b>1990</b> 1983cc/2.0L	
Seal .....	3476S
Kwik Slv (Opt Rpr) .....	KWK99128

### 5 Cylinder

<b>1997-1990</b> 1986cc/2.0L, 2144cc/2.1L, 2226cc/2.2L, 2309cc/2.3L	
Seal Viton .....	1108
Kwik Slv (Opt Rpr) .....	KWK99139

### 6 Cylinder

<b>1995-1992</b> 2671cc/2.7L, 2771cc/2.8L	
Seal Viton .....	1108
Kwik Slv (Opt Rpr) .....	KWK99139

## CRANKSHAFT REAR SEAL

### 4 Cylinder

<b>1990</b> 1983cc/2.0L	
Seal .....	716102
Kwik Slv (Opt Rpr) .....	KWK99333

### 5 Cylinder

<b>1997-1990</b> 2226cc/2.2L, 2309cc/2.3L	
Seal .....	716102
Kwik Slv (Opt Rpr) .....	KWK99333

### 6 Cylinder

<b>2000-1992</b> 2671cc/2.7L, 2771cc/2.8L	
Seal .....	716102
Kwik Slv (Opt Rpr) .....	KWK99333

Mfg./Year	Model & Location	Part No	Mfg./Year	Model & Location	Part No
-----------	------------------	---------	-----------	------------------	---------

**AUDI TRUCK - SUV - Allroad Quattro**

<b>FRONT WHEEL</b>	
2004-2001	
Ball Bearing	510019[2]
<b>REAR WHEEL</b>	
2004-2001	
Ball Bearing	510020[2]
<b>REAR AXLE</b>	
<b>Differential</b>	
2004-2002	
Cone/Cup (LH)	LM300849-LM300811
2001	
Cone/Cup (LH)	LM300849-LM300811
Seal (RH)	224520
Set (RH)	SET45
Kwik Slv (Opt Rpr)	KWK99177
<b>Pinion</b>	
2004-2001	
Cone/Cup (Inner)	HM801346X-HM801310
Cone/Cup (Outer)	M88048-M88010
<b>CLUTCH - 6 CYLINDER</b>	
<b>Pilot Bearing</b>	
2002-2001	2671cc./2.7L
Bearing Only	F212285
<b>Release Bearing</b>	
2002-2001	2671cc./2.7L (240mm Cl.)
Bearing Assembly	614073

<b>5-SPEED AUTOMATIC TRANSAXLE</b>	
<b>Torque Converter</b>	
2002-2001	(ZF5HP19)
Seal	224052
Kwik Slv (Opt Rpr)	KWK99157
<b>CAMSHAFT SEAL</b>	
<b>6 Cylinder</b>	
2003-2001	2671cc./2.7L
Seal	3476S[4]
Kwik Slv (Opt Rpr)	KWK99128[4]
<b>CRANKSHAFT FRONT SEAL</b>	
<b>6 Cylinder</b>	
2003-2001	2671cc./2.7L
Seal Viton	1108
Kwik Slv (Opt Rpr)	KWK99139
<b>CRANKSHAFT REAR SEAL</b>	
<b>6 Cylinder</b>	
2002-2001	2671cc./2.7L
Seal	716102
Kwik Slv (Opt Rpr)	KWK99333

**AVANTI II**

<b>FRONT WHEEL</b>	
1991-1990	
Seal (Inner)	205017[2]
Set (Inner)	SET6[2]
Set (Outer)	SET3[2]
<b>REAR WHEEL</b>	
1991-1990	
Seal	8660S[2]
Cylindrical Bearing	5707[2]
Kit	TRP1563TAV[2] <sup>19</sup>
<b>REAR AXLE</b>	
<b>Differential Rebuild Kit</b>	
1990	(8.5" R.G.)
Kit	DRK321

<b>REAR AXLE</b>	
<b>Pinion</b>	
1990	(RC on)
Cone/Cup (Inner)	M802048-M802011
Seal (Outer)	2043
Cone/Cup (Outer)	M88048-M88010
1990	(to 1990 RC)
Cone/Cup (Inner)	HM89249-HM89210
Seal (Outer)	8610
Cone/Cup (Outer)	M86649-M86610
<b>CRANKSHAFT FRONT SEAL</b>	
<b>8 Cylinder</b>	
1990	305/5.0L, 350/5.7L
Seal	9845
Kwik Slv (Opt Rpr)	KWK99176

<sup>19</sup>Opt. Axle Rpr Brg. Replaces O.E. Brg & Seal

# Bearings and Seals

Mfg./Year	Model & Location	Part No	Mfg./Year	Model & Location	Part No
-----------	------------------	---------	-----------	------------------	---------

## AVANTI II (cont.)

### CRANKSHAFT REAR SEAL

#### 8 Cylinder

1990	305/5.0L	
Seal Viton		4359V
Seal PTFE H/D Opt		5274A
Kwik Slv (Opt Rpr)		KWK99364

## BENTLEY - see also ROLLS ROYCE - Continental, Eight, Turbo R

### FRONT WHEEL

1992-1990		
Cone/Cup (Inner)	LM29749-LM29710[2]	
Set (Outer)	SET4[2]	

### REAR WHEEL

1992-1990		
Cone/Cup (Inner)	18790-18720[2]	
Cone/Cup (Outer)	18690-18620[2]	

### REAR AXLE

#### Differential

1992-1990		
Cone/Cup (LH)	25590-25520	
Cone/Cup (RH)	368A-362A	

### REAR AXLE

#### Pinion

1992-1990		
Cone/Cup (Inner)	HM903249-HM903210	
Cone/Cup (Outer)	HM88649-HM88610	

## BMW - 3 Series - 318i, 318is, 318ti, 323i, 323is, 323ci, 325es, 325i, 325is, 325ix, 325ci, 325xi, 328i, 328is, 328ci, 330i, 330ci, 330xi, M3, Z3

### FRONT WHEEL

2004-2001	(Exc. 325xi & 330xi)	
Hub Assembly		HA590308[2]
2004-2001	325xi & 330xi	
Ball Bearing		510080[2] <sup>25</sup>
2003-2001	525i, 530i	
Hub Assembly		HA590309[2]
2003-2000	540i	
Hub Assembly		HA590309[2]
2003-2000	M3	
Ball Bearing		510080[2] <sup>25</sup>
2002-2001	Z3	
Hub Assembly		HA590308[2]
2000	323	
Hub Assembly		HA590308[2]
2000-1999	Z3 (w/3.2L Eng)	
Hub Assembly		HA590308[2]
2000-1997	528i, 540i	
Hub Assembly		HA590309[2]
1993-1991	M5	
Hub Assembly		HA590308[2]
1991-1990	325iX	
Ball Bearing		513106[2]
1991-1990	M3	
Hub Assembly		513094[2]
1991-1990	318i, 318is, 325, 325e, 325es, 325i, 325is	
Bearing Module		513111[2]

### REAR WHEEL

2003-1990	318i, 318is, 323i, 323is, 323ci, 325, 325e, 325es, 325i, 325is, 325ix, 325ci, 328i, 328is, 328ci	
Ball Bearing		513106[2]
2002-1997	Z3	
Ball Bearing		513106[2]
1999-1995	318ti	
Ball Bearing		513113[2]
1991-1990	M3	
Ball Bearing		513113[2]

### FRONT AXLE

#### Differential

1991-1990	325iX	
Seal		473823[2]
Cone/Cup	LM29749-LM29710[2]	
Kwik Slv (Opt Rpr)		KWK99139[2]

Mfg./Year	Model & Location	Part No	Mfg./Year	Model & Location	Part No
<b>BMW - 3 Series - 318i, 318is, 318ti, 323i, 323is, 323ci, 325es, 325i, 325is, 325ix, 325ci, 325xi, 328i, 328is, 328ci, 330i, 330ci, 330xi, M3, Z3 (cont.)</b>					

## FRONT AXLE

### Pinion

1991-1990	325iX	
	Cone/Cup (Inner)	M88048-M88010
	Cone/Cup (Outer)	M86649-M86610

## REAR AXLE

### Differential

2002-1991	Z3, 318 Ser., 323 Ser.	
	Seal	239146[2]
	Set	SET45[2]
2002-1990	M3, 325 Ser., 328 Ser., 330i, 330xi	
	Seal	473823[2]
	Cone/Cup	LM503349A-LM503310[2]
	Kwik Slv (Opt Rpr)	KWK99139[2]

### Pinion

2002-1991	Z3, 318 Ser., 323 Ser.	
	Cone/Cup (Inner)	HM89446-HM89410
	Seal (Outer)	1992
	Cone/Cup (Outer)	M86649-M86610
	Kwik Slv (Opt Rpr)	KWK99157
2002-1990	M3, 325 Ser., 328 Ser., 330i, 330xi	
	Cone/Cup (Inner)	HM89449-HM89410
	Seal (Outer)	1979
	Cone/Cup (Outer)	HM88542-HM88510
	Kwik Slv (Opt Rpr)	KWK99177

## TRANSFER CASE

### Input Shaft

1991-1990	(A95)(A/T)	
	Ball Bearing	109TB
1991-1990	(A95)(M/T)	
	Seal	710310
	Ball Bearing	109TB

### Front Output Shaft

1991-1990	(A95)	
	Seal	1172S
	Kwik Slv (Opt Rpr)	KWK99139

### Rear Output Shaft

1991-1990	(A95)	
	Ball Bearing (Center)	107WB
	Ball Bearing (Rr)	105CB

## 4-SPEED AUTOMATIC TRANSMISSION

### Torque Converter

2000-1990	(4L30E)	
	Seal	3227
	Kwik Slv (Opt Rpr)	KWK99174
1993-1990	(ZF4HP22)	
	Seal	224052
	Kwik Slv (Opt Rpr)	KWK99157

## Rear Seal/Ext. Housing

2000-1990	(4L30E)	
	Seal	710430
1993-1990	(ZF4HP22)	
	Seal	710140

## Selector Shaft Seal/Man. Shaft

1999-1990	(4L30E)	
	Seal	8792S

## CLUTCH - 4 CYLINDER

### Pilot Bearing

1999-1991	1796cc/1.8L, 1895cc/1.9L	
	Ball Bearing	102CC
1994-1990	1766cc/1.8L, 1796cc/1.8L, 1990cc/2.0L, 2302cc/2.3L	
	Ball Bearing	201CC

## CLUTCH - 6 CYLINDER

### Pilot Bearing

2002-1996	2494cc/2.5L, 2793cc/2.8L, 2990cc/3.0L, 3152cc/3.2L, 3245cc/3.2L	
	Ball Bearing	102CC
1995-1990	2494cc/2.5L, 2693cc/2.7L, 2788cc/2.8L, 2985cc/3.0L, 2990cc/3.0L	
	Ball Bearing	201CC

## CLUTCH - 4 CYLINDER

### Release Bearing

1999-1990	1766cc/1.8L, 1796cc/1.8L, 1895cc/1.9L, 1990cc/2.0L, 2302cc/2.3L	
	Bearing Assembly	614105

## CLUTCH - 6 CYLINDER

### Release Bearing

2002-1990	2494cc/2.5L, 2693cc/2.7L, 2788cc/2.8L, 2793cc/2.8L, 2985cc/3.0L, 2990cc/3.0L	
	Bearing Assembly	614105

## 5-SPEED MANUAL TRANSMISSION

### Front Input Shaft

1996	(ZF S5 31)	
	Seal	470672
1992-1991	(Getrag 245)	
	Seal	223010
	Kwik Slv (Opt Rpr)	KWK99114
1992-1990	(Getrag 240, 260)	
	Seal	223535
	Kwik Slv (Opt Rpr)	KWK99139
1991-1990	(Getrag 265)	
	Seal	223010
	Ball Bearing	306L
	Kwik Slv (Opt Rpr)	KWK99114

# Bearings and Seals

Mfg./Year	Model & Location	Part No	Mfg./Year	Model & Location	Part No
<b>BMW - 3 Series - 318i, 318is, 318ti, 323i, 323is, 323ci, 325es, 325i, 325is, 325ix, 325ci, 325xi, 328i, 328is, 328ci, 330i, 330ci, 330xi, M3, Z3 (cont.)</b>					

## 5-SPEED MANUAL TRANSMISSION

### Countershaft

1991-1990 (Getrag 265)	
Ball Bearing (Frt) .....	305AG

### Rear Output Shaft

1996 (ZF S5 31)	
Seal .....	224010
1992-1990 (Getrag 240, 245, 260)	
Seal .....	473677
1991-1990 (Getrag 265)	
Seal .....	473677
Ball Bearing .....	306L

## A/C COMPRESSOR

1991-1990 (Nippondenso 10P15)(axial)	
Ball Bearing .....	5000KFF

## ALTERNATOR

1994-1990 (Bosch 80, 105, 115, 140 Amp.)	
Ball Bearing (Rear End) .....	201CC
1994-1990 (Bosch 80, 105, 115, 140 Amp.)	
Ball Bearing (Drive End) .....	303CC
1993-1990 (Bosch 45, 65, 90 Amp.)	
Ball Bearing (Rear End) .....	201S

## DRIVESHAFT SUPPORT

1997-1990 (1.1811 30mm I.D.)	
Ball Bearing .....	106CC

## CRANKSHAFT FRONT SEAL

### 6 Cylinder

2004-1995 2494cc/2.5L, 2793cc/2.8L, 2973cc/3.0L, 3152cc/3.2L	
Seal Viton .....	716484
Kwik Slv (Opt Rpr) .....	KWK99189

## CRANKSHAFT REAR SEAL

### 4 Cylinder

2000-1990	
Seal Viton .....	229005
Kwik Slv (Opt Rpr) .....	KWK99354

### 6 Cylinder

2004-1996 3152cc/3.2L	
Seal Viton .....	229005
2004-1990 2494cc/2.5L, 2693cc/2.7L, 2793cc/2.8L, 2990cc/3.0L	
Seal Viton .....	229005
Kwik Slv (Opt Rpr) .....	KWK99354

# BMW - 4 Series - Z4

## FRONT WHEEL

2004-2003 Z4	
Hub Assembly .....	HA590308[2]

## REAR WHEEL

2004-2003 Z4	
Ball Bearing .....	513106[2]

## CRANKSHAFT FRONT SEAL

### 6 Cylinder

2004-2003 2492cc/2.5L, 2959cc/3.0L	
Seal Viton .....	716484
Kwik Slv (Opt Rpr) .....	KWK99189

## CRANKSHAFT REAR SEAL

### 6 Cylinder

2004-2003 2492cc/2.5L, 2959cc/3.0L	
Seal Viton .....	229005
Kwik Slv (Opt Rpr) .....	KWK99354



Mfg./Year	Model & Location	Part No	Mfg./Year	Model & Location	Part No
<b>BMW - 5 Series - M5, 525i, 528i, 528it, 530i, 535i, 540i, 540ia, 540it</b>					

**FRONT WHEEL**

<b>2003-1997</b>	500 Ser.	
	Hub Assembly	HA593427[2]
<b>1995-1991</b>	500 Ser.(ABS)(From 4/91)	
	Hub Assembly	513125[2]
<b>1993-1990</b>	M5	
	Hub Assembly	513096[2]
<b>1991-1990</b>	525i, 535i (Thru 3/91)	
	Hub Assembly	513096[2]

**REAR WHEEL**

<b>2003-1997</b>		
	Hub Assembly	512225[2]
<b>1995-1994</b>	530i, 540i	
	Ball Bearing	513180[2]
<b>1995-1990</b>	525i Sedan	
	Ball Bearing	511020[2]
<b>1995-1990</b>	525i Wagon	
	Ball Bearing	513180[2]
<b>1993-1991</b>	M5	
	Ball Bearing	513180[2]

**REAR AXLE**

**Differential**

<b>2002-1997</b>	M5, 528i, 540i, 540ia	
	Seal	1012N[2]
	Cone/Cup	JLM104948-JLM104910[2]
	Kwik Slv (Opt Rpr)	KWK99177[2]
<b>1995-1991</b>	M5, 540i	
	Seal	1012N[2]
	Cone/Cup	JLM104948-JLM104910[2]
	Kwik Slv (Opt Rpr)	KWK99177[2]
<b>1995-1990</b>	524td, 525i, 528e, 528i, 530i, 533i, 535i, 535is	
	Seal	473823[2]
	Cone/Cup	LM503349A-LM503310[2]
	Kwik Slv (Opt Rpr)	KWK99139[2]

**Pinion**

<b>2002-1997</b>	M5, 528i, 540i, 540ia	
	Cone/Cup (Inner)	HM803149-HM803110
	Seal (Outer)	223520
	Cone/Cup (Outer)	HM89448-HM89410
	Kwik Slv (Opt Rpr)	KWK99139
<b>1995-1991</b>	M5, 540i	
	Cone/Cup (Inner)	HM803149-HM803110
	Seal (Outer)	223520
	Cone/Cup (Outer)	HM89448-HM89410
	Kwik Slv (Opt Rpr)	KWK99139
<b>1995-1990</b>	524td, 525i, 528e, 528i, 530i, 533i, 535i, 535is	
	Cone/Cup (Inner)	HM89449-HM89410
	Seal (Outer)	1979
	Cone/Cup (Outer)	HM88542-HM88510
	Kwik Slv (Opt Rpr)	KWK99177

**4-SPEED AUTOMATIC TRANSMISSION**

**Torque Converter**

<b>1997-1991</b>	(4L30E)	
	Seal	3227
	Kwik Slv (Opt Rpr)	KWK99174
<b>1993-1990</b>	(ZF4HP22)	
	Seal	224052
	Kwik Slv (Opt Rpr)	KWK99157

**Rear Seal/Ext. Housing**

<b>1999-1991</b>	(4L30E)	
	Seal	710437
<b>1993-1990</b>	(ZF4HP22)	
	Seal	710140

**Selector Shaft Seal/Man. Shaft**

<b>1999-1991</b>	(4L30E)	
	Seal	8792S

**CLUTCH - 6 CYLINDER**

**Pilot Bearing**

<b>1995-1990</b>	2494cc/2.5L, 2693cc/2.7L, 2788cc/2.8L, 2985cc/3.0L, 2990cc/3.0L	
	Ball Bearing	201CC

**CLUTCH - 8 CYLINDER**

**Pilot Bearing**

<b>1995-1994</b>	2997cc/3.0L	
	Ball Bearing	201CC

**CLUTCH - 6 CYLINDER**

**Release Bearing**

<b>2002-1990</b>		
	Bearing Assembly	614105

**5-SPEED MANUAL TRANSMISSION**

**Front Input Shaft**

<b>1995-1991</b>	(ZF S5 31)	
	Seal	470672
<b>1993-1990</b>	(Getrag 260, 280)	
	Seal	223535
	Kwik Slv (Opt Rpr)	KWK99139

**Rear Output Shaft**

<b>1995-1991</b>	(ZF S5 31)	
	Seal	224010
<b>1993-1990</b>	(Getrag 260, 280)	
	Seal	473677

# Bearings and Seals

Mfg./Year	Model & Location	Part No	Mfg./Year	Model & Location	Part No
-----------	------------------	---------	-----------	------------------	---------

## **BMW - 5 Series - M5, 525i, 528i, 528it, 530i, 535i, 540i, 540ia, 540it (cont.)**

### **6-SPEED MANUAL TRANSMISSION**

#### **Front Input Shaft**

1995	(Getrag 286)	
Seal	.....	710360
Kwik Slv (Opt Rpr)	.....	KWK99139

#### **Rear Output Shaft**

1995	(Getrag 286)	
Seal Viton	.....	710279

### **ALTERNATOR**

1994-1990	(Bosch 80, 105, 115, 140 Amp.)	
Ball Bearing (Drive End)	.....	303CC
1994-1990	(Bosch 80, 105, 115, 140 Amp.)	
Ball Bearing (Rear End)	.....	201CC

### **DRIVESHAFT SUPPORT**

1995-1990	(1.1811 30mm I.D.)	
Ball Bearing	.....	106CC

### **POWER STEERING**

#### **Pump Shaft**

1993-1990		
Seal	.....	222820

### **CRANKSHAFT FRONT SEAL**

#### **6 Cylinder**

2004-1994	2494cc/2.5L, 2793cc/2.8L, 2979cc/3.0L	
Seal Viton	.....	716484
Kwik Slv (Opt Rpr)	.....	KWK99189
1993-1991	3535cc/3.5L (DOHC)	
Seal	.....	224462
1993-1990	3210cc/3.2L, 3430cc/3.4L	
Seal	.....	224250
Kwik Slv (Opt Rpr)	.....	KWK99166
1993-1990	2443cc/2.4L (Diesel) 2494cc/2.5L, 2693cc/2.7L	
Seal Viton	.....	716484
Kwik Slv (Opt Rpr)	.....	KWK99189

### **8 Cylinder**

2004-1994	2997cc/3.0, 3982cc/4.0L, 4398cc/4.4L	
Seal Viton	.....	716484
Kwik Slv (Opt Rpr)	.....	KWK99189
2003-2000	4941cc/5.0L	
Seal Viton	.....	716484

### **CRANKSHAFT REAR SEAL**

#### **6 Cylinder**

2004-1994	2494cc/2.5L, 2793cc/2.8L, 2979cc/3.0L	
Seal Viton	.....	229005
Kwik Slv (Opt Rpr)	.....	KWK99354
1993-1990	2443cc/2.4L (Diesel) 2494cc/2.5L, 2693cc/2.7L, 2788cc/2.8L, 3210cc/3.2L, 3430cc/3.4L, 3453cc/3.5L, 3535cc/3.5L	
Seal Viton	.....	229005
Kwik Slv (Opt Rpr)	.....	KWK99354

### **8 Cylinder**

2004-1994	2997cc/3.0L, 3982cc/4.0L, 4398cc/4.4L	
Seal	.....	231003
Kwik Slv (Opt Rpr)	.....	KWK99393
2003-2000	4941cc/5.0L	
Seal	.....	231003
Kwik Slv (Opt Rpr)	.....	KWK99393

## **BMW - 7 Series - 735i, 735il, 740i, 740il, 745i, 750il**

### **FRONT WHEEL**

2004-2002		
Hub Assembly	.....	513173[2]
2001-1995	740/750 Ser.	
Hub Assembly	.....	HA592519[2]
1994-1992	735i, 735il, 740i, 750il (ABS)	
Hub Assembly	.....	513125[2]
1991-1990		
Hub Assembly	.....	513096[2]

### **REAR WHEEL**

2003-2002	745i, IL 760Li	
Hub Assembly	.....	HA590494[2]
2001-1995		
Ball Bearing	.....	511026[2]
1994-1990		
Ball Bearing	.....	513180[2]

Mfg./Year	Model & Location	Part No	Mfg./Year	Model & Location	Part No
<b>BMW - 7 Series - 735i, 735il, 740i, 740il, 745i, 750il (cont.)</b>					

## REAR AXLE

### Differential

2000-1990	L7, 740i, 740il, 750il	
Seal	.....	1012N[2]
Cone/Cup	.....JLM104948-JLM104910[2]	
Kwik Slv (Opt Rpr)	.....	KWK99177[2]
1992-1990	733i, 735i, 735il	
Seal	.....	473823[2]
Cone/Cup	.....LM503349A-LM503310[2]	
Kwik Slv (Opt Rpr)	.....	KWK99139[2]

### Pinion

2000-1990	L7, 740i, 740il, 750il	
Cone/Cup (Inner)	.....	HM803149-HM803110
Seal (Outer)	.....	223520
Cone/Cup (Outer)	.....	HM89448-HM89410
Kwik Slv (Opt Rpr)	.....	KWK99139
1992-1990	733i, 735i, 735il	
Cone/Cup (Inner)	.....	HM89449-HM89410
Seal (Outer)	.....	1979
Cone/Cup (Outer)	.....	HM88542-HM88510
Kwik Slv (Opt Rpr)	.....	KWK99177

## 4-SPEED AUTOMATIC TRANSMISSION

### Torque Converter

1992-1990	(ZF4HP22, ZF4HP24)	
Seal	.....	224052
Kwik Slv (Opt Rpr)	.....	KWK99157

### Rear Seal/Ext. Housing

1992-1990	(ZF4HP22, ZF4HP24)	
Seal	.....	710140

## CLUTCH - 6 CYLINDER

### Pilot Bearing

1992-1990		
Ball Bearing	.....	201CC

### Release Bearing

1992-1990		
Bearing Assembly	.....	614105

## 5-SPEED MANUAL TRANSMISSION

### Front Input Shaft

1992-1990	(Getrag 260)	
Seal	.....	223535
Kwik Slv (Opt Rpr)	.....	KWK99139

### Rear Output Shaft

1992-1990	(Getrag 260)	
Seal	.....	473677

## ALTERNATOR

1994-1990	(Bosch 80, 115, 140 Amp.)	
Ball Bearing (Drive End)	.....	303CC
1994-1990	(Bosch 80, 115, 140 Amp.)	
Ball Bearing (Rear End)	.....	201CC

## ALTERNATOR (cont.)

1993-1990	(Bosch 65, 90 Amp.)	
Ball Bearing (Rear End)	.....	201S

## DRIVESHAFT SUPPORT

1997-1990	(1.1811 30mm I.D.)	
Ball Bearing	.....	106CC

## CRANKSHAFT FRONT SEAL

### 6 Cylinder

1992-1990	3210cc/3.2L, 3430cc/3.4L	
Seal	.....	224250
Kwik Slv (Opt Rpr)	.....	KWK99166

### 8 Cylinder

2004-1993	3982cc/4.0L, 4398cc/4.4L	
Seal Viton	.....	716484
Kwik Slv (Opt Rpr)	.....	KWK99189

### 12 Cylinder

2004-2003	5972cc/6.0L	
Seal Viton	.....	716484
Kwik Slv (Opt Rpr)	.....	KWK99189
2001-1990	4988cc/5.0L, 5379cc/5.4L	
Seal (Lower)	.....	225530
Kwik Slv (Opt Rpr)	.....	
(Lower)	.....	KWK99215
Seal (Upper)	.....	222820
Kwik Slv (Opt Rpr)	.....	
(Upper)	.....	KWK99111

## CRANKSHAFT REAR SEAL

### 6 Cylinder

1992-1990	3210cc/3.2L, 3430cc/3.4L	
Seal Viton	.....	229005
Kwik Slv (Opt Rpr)	.....	KWK99354

### 8 Cylinder

2004-1993	3982cc/4.0L, 4398cc/4.4L	
Seal	.....	231003
Kwik Slv (Opt Rpr)	.....	KWK99393

### 12 Cylinder

2004-2003	5972cc/6.0L	
Seal	.....	231003
Kwik Slv (Opt Rpr)	.....	KWK99393
2001-1990	4988cc/5.0L, 5379cc/5.4L	
Seal	.....	231003
Kwik Slv (Opt Rpr)	.....	KWK99393

# Bearings and Seals

Mfg./Year	Model & Location	Part No	Mfg./Year	Model & Location	Part No
-----------	------------------	---------	-----------	------------------	---------

## **BMW - 8 Series - 840ci, 850ci, 850csi, 850i, Z8 Roadster**

### **FRONT WHEEL**

2003-2000	Z8 Roadster	
	Hub Assembly	HA593427[2]
1997-1992	840ci, 850ci, 850csi, 850i (ABS)	
	Hub Assembly	513125[2]
1992-1991	850i	
	Hub Assembly	513096[2]

### **REAR WHEEL**

2003-2000	Z8 Roadster	
	Ball Bearing	511026[2]

### **REAR AXLE**

#### **Differential**

1997-1991		
	Seal	1012N[2]
	Cone/Cup	JLM104948-JLM104910[2]
	Kwik Slv (Opt Rpr)	KWK99177[2]

#### **Pinion**

1997-1991		
	Cone/Cup (Inner)	HM803149-HM803110
	Seal (Outer)	223520
	Cone/Cup (Outer)	HM89448-HM89410
	Kwik Slv (Opt Rpr)	KWK99139

### **4-SPEED AUTOMATIC TRANSMISSION**

#### **Torque Converter**

1993-1991	(ZF4HP22, ZF4HP24)	
	Seal	224052
	Kwik Slv (Opt Rpr)	KWK99157

#### **Rear Seal/Ext. Housing**

1993-1991	(ZF4HP22, ZF4HP24)	
	Seal	710140

### **6-SPEED MANUAL TRANSMISSION**

#### **Front Input Shaft**

1997-1991	(Getrag 286)	
	Seal	710360
	Kwik Slv (Opt Rpr)	KWK99139

#### **Rear Output Shaft**

1997-1991	(Getrag 286)	
	Seal Viton	710279

### **ALTERNATOR**

1997-1991	(Bosch 140 Amp.)	
	Ball Bearing (Drive End)	303CC
1997-1991	(Bosch 140 Amp.)	
	Ball Bearing (Rear End)	201CC

### **CRANKSHAFT FRONT SEAL**

#### **8 Cylinder**

2003-2000	4941cc/5.0L	
	Seal Viton	716484
	Kwik Slv (Opt Rpr)	KWK99189
1997-1994	3982cc/4.0L, 4398cc/4.4L	
	Seal Viton	716484
	Kwik Slv (Opt Rpr)	KWK99189

#### **12 Cylinder**

1997-1991	4988cc/5.0L, 5379cc/5.4L, 5576/5.6L	
	Seal (Lower)	225530
	Kwik Slv (Opt Rpr) (Lower)	KWK99215
	Seal (Upper)	222820
	Kwik Slv (Opt Rpr) (Upper)	KWK99111

### **CRANKSHAFT REAR SEAL**

#### **8 Cylinder**

2003-2000	4837cc/4.8L, 4941/5.0L	
	Seal	231003
	Kwik Slv (Opt Rpr)	KWK99393
1997-1994	3982cc/4.0L, 4398cc/4.4L	
	Seal	231003
	Kwik Slv (Opt Rpr)	KWK99393

#### **12 Cylinder**

1997-1991	4988cc/5.0L, 5379cc/5.4L, 5576/5.6L	
	Seal	231003
	Kwik Slv (Opt Rpr)	KWK99393

## **BMW TRUCK - SUV - X3, X5**

### **FRONT WHEEL**

2004-2000	X5	
	Ball Bearing	510081[2]
2000	X5	
	Hub Assembly	HA590494[2]

### **REAR WHEEL**

2004-2000	X5	
	Hub Assembly	HA590494[2]

Mfg./Year	Model & Location	Part No	Mfg./Year	Model & Location	Part No
-----------	------------------	---------	-----------	------------------	---------

**BMW TRUCK - SUV - X3, X5 (cont.)**

**CRANKSHAFT FRONT SEAL**

**6 Cylinder**

2004-2001	2979cc/3.0L	
Seal Viton	.....	716484
Kwik Slv (Opt Rpr)	.....	KWK99189

**8 Cylinder**

2003-2002	4398cc/4.4L, 4619cc/4.6L	
Seal Viton	.....	716484
Kwik Slv (Opt Rpr)	.....	KWK99189

**CRANKSHAFT REAR SEAL**

**6 Cylinder**

2004-2001	2979cc/3.0L	
Seal Viton	.....	229005
Kwik Slv (Opt Rpr)	.....	KWK99354

**8 Cylinder**

2003-2002	4398cc/4.4L, 4619cc/4.6L	
Seal	.....	231003
Kwik Slv (Opt Rpr)	.....	KWK99393

**BUICK - FRONT DRIVE - Century**

**FRONT WHEEL**

2005-2003	(ABS)	
Hub Assembly	.....	513179[2] <sup>73</sup>
2005-2003	(w/o ABS)	
Hub Assembly	.....	513160[2]
2002-1997	(ABS)	
Hub Assembly	.....	513121[2] <sup>72</sup>
1996-1994		
Hub Assembly	.....	513087[2] <sup>45</sup>
1993-1990		
Hub Assembly	.....	513016K[2] <sup>61</sup>
Seal Kit	.....	5698[2] <sup>12</sup>

**REAR WHEEL**

2005-2004	(ABS)	
Hub Assembly	.....	512237[2]
2005-2004	(w/o ABS)	
Hub Assembly	.....	512221[2]
2003-1997	(ABS)(4 Whl. Disc)	
Hub Assembly	.....	512150[2]
2003-1997	(ABS)(Drum Brks.)	
Hub Assembly	.....	512151[2]
1996-1994		
Hub Assembly	.....	512078[2]
1993-1990		
Hub Assembly	.....	513018[2]

**3-SPEED AUTOMATIC TRANSAXLE**

**Torque Converter**

1996-1990		
Seal	.....	4072N

**Output Shaft**

1996-1994		
Seal (LH)	.....	3543
Kwik Slv (Opt Rpr) (LH)	.....	KWK99139
Seal (RH)	.....	3543
Kwik Slv (Opt Rpr) (RH)	.....	KWK99139
1993-1990		
Seal (LH)	.....	3543
Kwik Slv (Opt Rpr) (LH)	.....	KWK99139
Seal (RH)	.....	3543
Kwik Slv (Opt Rpr) (RH)	.....	KWK99139

**3-SPEED AUTOMATIC TRANSAXLE**

**Selector Shaft Seal/Man. Shaft**

1996-1990		
Seal	.....	340847
Kwik Slv (Opt Rpr)	.....	KWK99049

**4-SPEED AUTOMATIC TRANSAXLE**

**Torque Converter**

2002-1990		
Seal	.....	4072N

**Output Shaft**

2002-2000		
Seal (LH)	.....	100165
Kwik Slv (Opt Rpr) (LH)	.....	KWK99139
Seal (RH)	.....	3543
Kwik Slv (Opt Rpr) (RH)	.....	KWK99139
1999-1997		
Seal (LH)	.....	710096
Kwik Slv (Opt Rpr) (LH)	.....	KWK99139
Seal (RH)	.....	100165
Kwik Slv (Opt Rpr) (RH)	.....	KWK99139
1996-1990		
Seal (LH)	.....	710096
Kwik Slv (Opt Rpr) (LH)	.....	KWK99139
Seal (RH)	.....	3543
Kwik Slv (Opt Rpr) (RH)	.....	KWK99139

**Selector Shaft Seal/Man. Shaft**

2003-1990		
Seal	.....	340847
Kwik Slv (Opt Rpr)	.....	KWK99049

**ALTERNATOR**

2001-1990		
Ball Bearing (Drive End)	.....	203FF
Ball Bearing (Rear End)	.....	100CCAB

**POWER STEERING**

**Pump Shaft**

2002-1992		
Seal	.....	70135

<sup>12</sup>Opt. Kit Incls Seal & O Ring. Kit Incl w/ Hub Assy      <sup>45</sup>Brg Flg Has Non-Threaded Mtg Holes  
<sup>61</sup>Kit Incl, Seal, Hub Nut, & Brg Unit      <sup>72</sup>Stainless Steel Sensor Wire Clip      <sup>73</sup>Plastic Sensor Wire Clip

# Bearings and Seals

Mfg./Year	Model & Location	Part No	Mfg./Year	Model & Location	Part No
-----------	------------------	---------	-----------	------------------	---------

## **BUICK - FRONT DRIVE - Century (cont.)**

### **POWER STEERING (cont.)**

#### **Pump Shaft (cont.)**

1991-1990	Seal .....	221925
-----------	------------	--------

### **CRANKSHAFT FRONT SEAL**

#### **4 Cylinder**

1996-1993	134/2.2L	Seal .....	9845
		Kwik Slv (Opt Rpr) .....	KWK99176
1992-1990	151/2.5L	Seal .....	9845
		Kwik Slv (Opt Rpr) .....	KWK99176

#### **6 Cylinder**

2005-1994	189/3.1L	Seal .....	9845
		Kwik Slv (Opt Rpr) .....	KWK99176
		Harmonic Balancer Slv Opt .....	88176
1993-1990	204/3.3L	Seal Viton .....	710162
		Kwik Slv (Opt Rpr) .....	KWK99193

### **CRANKSHAFT REAR SEAL**

#### **4 Cylinder**

1996-1993	134/2.2L	Seal .....	4307V
		Seal PTFE H/D Opt .....	5273
		Kwik Slv (Opt Rpr) .....	KWK99298
1992-1990	151/2.5L	Seal .....	3698

#### **6 Cylinder**

2005-1994	189/3.1L	Seal .....	4307V
		Seal PTFE H/D Opt .....	5273
		Kwik Slv (Opt Rpr) .....	KWK99298
1993-1990	204/3.3L	Seal Viton .....	320691
		Kwik Slv (Opt Rpr) .....	KWK99328

## **BUICK - FRONT DRIVE - Electra, Electra Park Avenue, LeSabre, Park Avenue**

### **FRONT WHEEL**

2005-2001	LeSabre (2nd Design)	Hub Assembly .....	513179[2] <sup>73</sup>
2005-2001	Park Avenue (2nd Design)	Hub Assembly .....	513179[2] <sup>73</sup>
2001-2000	LeSabre (1st Design)	Hub Assembly .....	513121[2] <sup>72</sup>
2001-1997	Park Avenue (1st Design)	Hub Assembly .....	513121[2] <sup>72</sup>
1999-1994	LeSabre (ABS)	Hub Assembly .....	513087[2] <sup>45</sup>
1996-1994	Park Avenue	Hub Assembly .....	513087[2] <sup>45</sup>
1993-1992	LeSabre (ABS)	Hub Assembly .....	513087[2] <sup>45</sup>
1993-1992	Park Avenue	Hub Assembly .....	513087[2] <sup>45</sup>
1992	LeSabre (w/o ABS)	Hub Assembly .....	513088[2]
1991-1990	LeSabre	Hub Assembly .....	513016K[2] <sup>61</sup>
		Seal Kit .....	5698[2] <sup>12</sup>
1991-1990	Electra Park Ave	Hub Assembly .....	513016K[2] <sup>61</sup>
		Seal Kit .....	5698[2] <sup>12</sup>
1990	Electra	Hub Assembly .....	513016K[2] <sup>61</sup>
		Seal Kit .....	5698[2] <sup>12</sup>

### **REAR WHEEL**

2005-2000	LeSabre	Hub Assembly .....	512003[2]
-----------	---------	--------------------	-----------

### **REAR WHEEL (cont.)**

2005-1997	Park Avenue	Hub Assembly .....	512003[2]
1999-1994	LeSabre (ABS)	Hub Assembly .....	513062[2]
1996-1994	Park Avenue (ABS)	Hub Assembly .....	513062[2]
1993-1992	LeSabre (ABS)	Hub Assembly .....	513062[2]
1993-1992	Park Avenue (ABS)	Hub Assembly .....	513062[2]
1992-1990	LeSabre (w/o ABS)	Hub Assembly .....	513018[2]
1991	Electra Park Ave	Hub Assembly .....	513062[2]
1990	Electra (ABS)	Hub Assembly .....	513041[2]
1990	Electra Park Ave (w/o ABS)	Hub Assembly .....	513041[2]
1990	Electra (w/o ABS)	Hub Assembly .....	513018[2]
1990	Electra Park Ave	Hub Assembly .....	513018[2]

### **4-SPEED AUTOMATIC TRANSAXLE**

#### **Torque Converter**

2003-1998	LeSabre	Seal .....	4072N
2003-1992	Park Avenue	Seal .....	4072N
1997-1990	LeSabre	Seal .....	4072N

Mfg./Year    Model & Location    Part No    Mfg./Year    Model & Location    Part No

---

**BUICK - FRONT DRIVE - Electra, Electra Park Avenue, LeSabre, Park Avenue (cont.)**

---

**4-SPEED AUTOMATIC TRANSAXLE  
(cont.)**

**Torque Converter (cont.)**

<b>1991-1990</b>	Electra Park Ave	
Seal	.....	4072N
<b>1990</b>	Electra	
Seal	.....	4072N

**Output Shaft**

<b>2003-1998</b>	LeSabre	
Seal (LH)	.....	100165
Seal (RH)	.....	3543
<b>2003-1991</b>	Park Avenue	
Seal (LH)	.....	100165
Seal (RH)	.....	3543
<b>1997-1990</b>	LeSabre	
Seal (LH)	.....	710096
Seal (RH)	.....	3543
<b>1990</b>	Electra	
Seal (LH)	.....	710096
Seal (RH)	.....	3543
<b>1990</b>	Electra Park Ave	
Seal (LH)	.....	710096
Seal (RH)	.....	3543

**Selector Shaft Seal/Man. Shaft**

<b>2003-1991</b>	Park Avenue	
Seal	.....	8792S
<b>2003-1990</b>	LeSabre	
Seal	.....	8792S
<b>1990</b>	Electra	
Seal	.....	8792S
<b>1990</b>	Electra Park Ave	
Seal	.....	8792S

**ALTERNATOR**

<b>2001-1990</b>	Electra, LeSabre, Electra Park Avenue, Park Avenue	
Ball Bearing (Drive End)	.....	203FF
Ball Bearing (Rear End)	.....	100CCAB

**POWER STEERING**

**Pump Shaft**

<b>2002-1992</b>		
Seal	.....	7013S
<b>1991-1990</b>	(integral reservoir)	
Seal	.....	22192S
Ball Bearing	.....	203FF
<b>1991-1990</b>	(remote reservoir)	
Seal	.....	7013S

**CRANKSHAFT FRONT SEAL**

**6 Cylinder**

<b>2005-1990</b>	181/3.0L, 231/3.8L	
Seal Viton	.....	710162
Kwik Slv (Opt Rpr)	.....	KWK99193

**CRANKSHAFT REAR SEAL**

**6 Cylinder**

<b>2005-1991</b>	231/3.8L	
Seal PTFE H/D Opt	.....	5291
Seal Viton	.....	320691
Kwik Slv (Opt Rpr)	.....	KWK99328
<b>1990</b>	231/3.8L	
Seal	.....	5591

**BUICK - FRONT DRIVE - LaCrosse**

---

**FRONT WHEEL**

<b>2006-2005</b>	(ABS)	
Hub Assembly	.....	HA590075[2]
<b>2006-2005</b>	(w/o ABS)	
Hub Assembly	.....	HA590076[2]

**REAR WHEEL**

<b>2006-2005</b>	(ABS)	
Hub Assembly	.....	HA590073[2]
<b>2006-2005</b>	(w/o ABS)	
Hub Assembly	.....	HA590074[2]

**CRANKSHAFT REAR SEAL**

**6 Cylinder**

<b>2005</b>	3.8L/3800	
Seal PTFE H/D	.....	5291
Seal Viton	.....	320691
Kwik Slv (Opt Rpr)	.....	KWK99328



# Bearings and Seals

Mfg./Year	Model & Location	Part No	Mfg./Year	Model & Location	Part No
-----------	------------------	---------	-----------	------------------	---------

## **BUICK - FRONT DRIVE - Regal**

### **FRONT WHEEL**

<b>2004-2003</b> (w/o ABS)	
Hub Assembly .....	513160[2]
<b>2004-2001</b> (ABS)	
Hub Assembly .....	513179[2] <sup>73</sup>
<b>2001-1997</b> (ABS)	
Hub Assembly .....	513121[2] <sup>72</sup>
<b>1996-1990</b>	
Hub Assembly .....	513044[2]

### **REAR WHEEL**

<b>2004</b> (w/o ABS)	
Hub Assembly .....	512221[2]
<b>2004-2003</b> (ABS)(Disc Brks.)	
Hub Assembly .....	512237[2]
<b>2003-1999</b> (Drum Brks.)	
Hub Assembly .....	512151[2]
<b>2002-1999</b> (Disc Brks.)	
Hub Assembly .....	512150[2]
<b>1998-1997</b> (ABS)(4 Whl. Disc)	
Hub Assembly .....	512150[2]
<b>1998-1997</b> (ABS)(Drum Brks.)	
Hub Assembly .....	512151[2]
<b>1996</b> (1st Design)	
Hub Assembly .....	512004[2] <sup>11</sup>
<b>1996</b> (2nd Design)	
Hub Assembly .....	512151[2] <sup>10</sup>
<b>1995-1992</b> (ABS)	
Hub Assembly .....	512004[2]
<b>1993-1990</b> (w/o ABS)(4 Whl. Disc)	
Hub Assembly .....	513018[2]
<b>1991-1990</b> (ABS)	
Hub Assembly .....	513042[2]

### **4-SPEED AUTOMATIC TRANSAXLE**

#### **Torque Convertor**

<b>2002-1990</b>	
Seal .....	4072N

### **4-SPEED AUTOMATIC TRANSAXLE**

#### **Output Shaft**

<b>2003-1997</b> (4T65 E)	
Seal (LH) .....	100165
Kwik Slv (Opt Rpr) (LH) .....	KWK99139
Seal (RH) .....	3543
Kwik Slv (Opt Rpr) (RH) .....	KWK99139
<b>1998-1990</b> (4T40E)	
Seal (LH) .....	710096
Kwik Slv (Opt Rpr) (LH) .....	KWK99139
Seal (RH) .....	3543
Kwik Slv (Opt Rpr) (RH) .....	KWK99139

#### **Selector Shaft Seal/Man. Shaft**

<b>2003-1990</b>	
Seal .....	8792S

### **ALTERNATOR**

<b>1994-1993</b>	
Ball Bearing (Drive End) .....	203FF
Ball Bearing (Rear End) .....	100CCAB

### **POWER STEERING**

#### **Pump Shaft**

<b>2002-1992</b>	
Seal .....	7013S
<b>1991-1990</b> (remote reservoir)	
Seal .....	7013S

### **CRANKSHAFT FRONT SEAL**

#### **6 Cylinder**

<b>2004-1990</b> 231/3.8L	
Seal Viton .....	710162
Kwik Slv (Opt Rpr) .....	KWK99139
<b>1996-1990</b> 189/3.1L	
Seal .....	9845
Kwik Slv (Opt Rpr) .....	KWK99176

### **CRANKSHAFT REAR SEAL**

#### **6 Cylinder**

<b>2004-1990</b> 231/3.8L	
Seal Viton .....	320691
Kwik Slv (Opt Rpr) .....	KWK99328
Seal PTFE H/D Opt .....	5291

Mfg./Year	Model & Location	Part No	Mfg./Year	Model & Location	Part No
-----------	------------------	---------	-----------	------------------	---------

## **BUICK - FRONT DRIVE - Regal (cont.)**

### **CRANKSHAFT REAR SEAL (cont.)**

#### **6 Cylinder (cont.)**

1996-1990	189/3.1L	
Seal	.....	4307V
Seal PTFE H/D Opt	.....	5273
Kwik Slv (Opt Rpr)	.....	KWK99298

## **BUICK - FRONT DRIVE - Riviera, Reatta**

### **FRONT WHEEL**

1999-1997		
Hub Assembly	.....	513121[2] <sup>72</sup>
1996-1992		
Hub Assembly	.....	513087[2] <sup>45</sup>
1991-1990		
Hub Assembly	.....	513059[2]

### **REAR WHEEL**

1999-1991		
Hub Assembly	.....	512003[2]
1990 (ABS)		
Hub Assembly	.....	513041[2]
1990 (w/o ABS)		
Hub Assembly	.....	513018[2]

### **4-SPEED AUTOMATIC TRANSAXLE**

#### **Torque Converter**

1999-1990		
Seal	.....	4072N

#### **Output Shaft**

1999-1997		
Seal (LH)	.....	100165
Seal (RH)	.....	3543
1996-1995		
Seal (LH)	.....	100165
Seal (RH)	.....	710096
1993-1990		
Seal (LH)	.....	710096
Seal (RH)	.....	3543

### **4-SPEED AUTOMATIC TRANSAXLE**

#### **Selector Shaft Seal/Man. Shaft**

1999-1990		
Seal	.....	8792S

### **ALTERNATOR**

1999-1990		
Ball Bearing (Drive End)	.....	203FF
Ball Bearing (Rear End)	.....	100CCAB

### **POWER STEERING**

#### **Pump Shaft**

1999-1992		
Seal	.....	7013S
Ball Bearing	.....	203FF
1991-1990		
Seal	.....	22192S
Ball Bearing	.....	203FF

### **CRANKSHAFT FRONT SEAL**

#### **6 Cylinder**

1999-1990	231/3.8L	
Seal Viton	.....	710162
Kwik Slv (Opt Rpr)	.....	KWK99193

### **CRANKSHAFT REAR SEAL**

#### **6 Cylinder**

1999-1990	231/3.8L	
Seal Viton	.....	320691
Kwik Slv (Opt Rpr)	.....	KWK99328

## **BUICK - FRONT DRIVE - Skylark**

### **FRONT WHEEL**

1998-1990		
Hub Assembly	.....	513017K[2] <sup>61</sup>
Seal Kit	.....	5697[2] <sup>12</sup>

### **REAR WHEEL**

1998-1991 (ABS)		
Hub Assembly	.....	512001[2]
1991-1990 (w/o ABS)		
Hub Assembly	.....	513012[2]

### **CLUTCH**

#### **Release Bearing**

1991-1990	4 Cyl. Quad4 (5 Spd.)	
Bearing Assembly	.....	614069

### **3-SPEED AUTOMATIC TRANSAXLE**

#### **Torque Converter**

1995-1990		
Seal	.....	4072N

<sup>12</sup>Opt. Kit Incls Seal & O Ring. Kit Incl w/ Hub Assy      <sup>45</sup>Brg Flg Has Non-Threaded Mtg Holes  
<sup>61</sup>Kit Incl, Seal, Hub Nut, & Brg Unit      <sup>72</sup>Stainless Steel Sensor Wire Clip

# Bearings and Seals

Mfg./Year	Model & Location	Part No	Mfg./Year	Model & Location	Part No
-----------	------------------	---------	-----------	------------------	---------

## **BUICK - FRONT DRIVE - Skylark (cont.)**

### **3-SPEED AUTOMATIC TRANSAXLE**

#### **Output Shaft**

1995-1990	
Seal .....	3543[2]
Kwik Slv (Opt Rpr) .....	KWK99139[2]

#### **Selector Shaft Seal/Man. Shaft**

1995-1990	
Seal .....	8792S

### **4-SPEED AUTOMATIC TRANSAXLE**

#### **Torque Convertor**

1998-1994	
Seal .....	4072N

#### **Output Shaft**

2003-2000	
Seal (LH) .....	100165
Seal (RH) .....	3543
1998-1994	
Seal (LH) .....	710096
Kwik Slv (Opt Rpr) (LH) .....	KWK99139
Seal (RH) .....	3543
Kwik Slv (Opt Rpr) (RH) .....	KWK99139

#### **Selector Shaft Seal/Man. Shaft**

1998-1994	
Seal .....	8792S

### **ALTERNATOR**

1998-1990	
Ball Bearing (Drive End) .....	203FF
Ball Bearing (Rear End) .....	100CCAB

### **CAMSHAFT SEAL**

#### **4 Cylinder**

1997-1996	146/2.4L
Seal (Frt) .....	223605

### **CRANKSHAFT FRONT SEAL**

#### **4 Cylinder**

1997-1996	146/2.4L
Seal Viton .....	320259
Kwik Slv (Opt Rpr) .....	KWK99199

### **CRANKSHAFT FRONT SEAL (cont.)**

#### **4 Cylinder (cont.)**

1995-1990	138/2.3L
Seal Viton .....	320259
Kwik Slv (Opt Rpr) .....	KWK99199
1991-1990	151/2.5L
Seal .....	9845
Kwik Slv (Opt Rpr) .....	KWK99176

#### **6 Cylinder**

1998-1994	189/3.1L
Seal .....	9845
Kwik Slv (Opt Rpr) .....	KWK99176
1993-1990	204/3.3L
Seal Viton .....	710162
Kwik Slv (Opt Rpr) .....	KWK99193

### **CRANKSHAFT REAR SEAL**

#### **4 Cylinder**

1998-1996	146/2.4L
Seal .....	40375
1995-1990	138/2.3L
Seal .....	40375
1991-1990	151/2.5L
Seal .....	3698

#### **6 Cylinder**

1998-1994	189/3.1L
Seal .....	4307V
Seal PTFE H/D Opt .....	5273
Kwik Slv (Opt Rpr) .....	KWK99298
1993-1990	204/3.3L
Seal Viton .....	320691
Kwik Slv (Opt Rpr) .....	KWK99328

## **BUICK - REAR DRIVE - Estate Wagon**

### **FRONT WHEEL**

1990	
Seal (Inner) .....	8871[2]
Set (Inner) .....	SET6[2]
Set (Outer) .....	SET3[2]

### **REAR WHEEL**

1990	Estate Wagon (8.75" R.G.)
Seal .....	8835S[2]
Cylindrical Bearing .....	6408[2]
Kit .....	TRP1559TV[2] <sup>19</sup>

Mfg./Year	Model & Location	Part No	Mfg./Year	Model & Location	Part No
<b>BUICK - REAR DRIVE - Estate Wagon (cont.)</b>					

**REAR AXLE**  
**Differential Rebuild Kit**

1990 (8.5" R.G.)  
 Kit .....DRK321

**Differential**

1990 (7.5", 8.5" R.G.)  
 Cone/Cup ..... LM501349-LM501314[2]

**Pinion**

1990 Estate Wagon  
 Cone/Cup (Inner) ..... M802048-M802011  
 Seal (Outer) ..... 2043  
 Cone/Cup (Outer) ..... M88048-M88010

**4-SPEED AUTOMATIC TRANSMISSION**  
**Torque Converter**

1990 Electra, Estate Wagon, LeSabre  
 (O/D)(THM2004R)  
 Seal .....3227  
 Kwik Slv (Opt Rpr) .....KWK99174

**Rear Seal/Ext. Housing**

1990 Electra, Estate Wagon, LeSabre  
 (O/D)(THM2004R)  
 Seal (Rr) .....9613S

1990 Electra, Estate Wagon, LeSabre  
 (w/o O/D)(THM350RL)  
 Seal (Rr) .....9613S

**Selector Shaft Seal/Man. Shaft**

1990 Electric, Estate Wagon, LeSabre  
 Seal .....8792S

**GENERATOR / ALTERNATOR**

1990  
 Ball Bearing (Drive End) ..... 203F  
 Ball Bearing (Rear End) ..... MNJ471S

**POWER STEERING**  
**Pump Shaft**

1990  
 Seal .....7013S

**Worm Shaft**

1990  
 Seal .....222025

**CRANKSHAFT FRONT SEAL**  
**8 Cylinder**

1990 307/5.0L  
 Seal .....472082  
 Kwik Slv (Opt Rpr) .....KWK99199

**CRANKSHAFT REAR SEAL**  
**8 Cylinder**

1990 307/5.0L  
 Seal Rope ..... 5095

**BUICK - REAR DRIVE - Roadmaster Estate Wagon, Roadmaster Sedan**

**FRONT WHEEL**

1996-1991  
 Seal (Inner) .....4739[2]  
 Set (Inner) ..... SET6[2]  
 Set (Outer) ..... SET3[2]

**REAR WHEEL**

1996-1991 (Sedan)  
 Seal (Inner) .....8660S[2]  
 Cylindrical Bearing  
 (Inner) .....5707[2]  
 Kit ..... TRP1563TAV[2]<sup>19</sup>

1996-1991 (Wagon)  
 Seal (Inner) .....8835S[2]  
 Cylindrical Bearing  
 (Inner) .....6408[2]  
 Kit ..... TRP1559TV[2]<sup>19</sup>

**REAR AXLE**  
**Differential Rebuild Kit**

1996-1991  
 Kit .....DRK321

**Differential**

1996-1991  
 Cone/Cup ..... LM501349-LM501314[2]

**Pinion**

1996-1991  
 Cone/Cup (Inner) ..... M802048-M802011  
 Seal (Outer) ..... 2043  
 Cone/Cup (Outer) ..... M88048-M88010

<sup>19</sup>Opt. Axle Rpr Brg. Replaces O.E. Brg & Seal

# Bearings and Seals

Mfg./Year    Model & Location    Part No    Mfg./Year    Model & Location    Part No

---

**BUICK - REAR DRIVE - Roadmaster Estate Wagon, Roadmaster Sedan (cont.)**

---

## 4-SPEED AUTOMATIC TRANSMISSION

### Torque Converter

1996-1991  
 Seal .....3227  
 Kwik Slv (Opt Rpr) .....KWK99174

### Rear Seal/Ext. Housing

1996  
 Seal .....9613S  
 1995-1991  
 Seal .....4583

### Selector Shaft Seal/Man. Shaft

1996-1991  
 Seal .....8792S

## A/C COMPRESSOR

1996-1991  
 Ball Bearing .....907257  
 1996-1991  
 Ball Bearing (Frnt Head) .....S128

## GENERATOR / ALTERNATOR

1996-1991  
 Ball Bearing (Drive End) .....203FF  
 Ball Bearing (Rear End) .....100CCAB

## POWER STEERING

### Pitman Shaft

1996-1991  
 Seal Kit .....PSK1<sup>24</sup>

## POWER STEERING

### Pump Shaft

1996-1991  
 Seal .....480821

### Worm Shaft

1996-1991  
 Seal .....222025

## CRANKSHAFT FRONT SEAL

### 8 Cylinder

1996-1992 350/5.7L  
 Seal .....9845  
 Kwik Slv (Opt Rpr) .....KWK99176  
 1992-1991 305/5.0L  
 Seal .....9845  
 Kwik Slv (Opt Rpr) .....KWK99176

## CRANKSHAFT REAR SEAL

### 8 Cylinder

1996-1992 350/5.7L  
 Seal Viton .....4359V  
 Seal PTFE H/D Opt .....5274  
 Kwik Slv (Opt Rpr) .....KWK99364  
 1992-1991 305/5.0L  
 Seal Viton .....4359V  
 Seal PTFE H/D Opt .....5274  
 Kwik Slv (Opt Rpr) .....KWK99364

# BUICK TRUCK - MINIVAN - Terraza

---

## FRONT WHEEL

2006-2005  
 Hub Assembly .....HA590075[2]

## REAR WHEEL

2006-2005  
 Hub Assembly .....HA590073[2]

## REAR WHEEL

### 4WD/AWD

2006-2005  
 Hub Assembly .....HA590075[2]

# BUICK TRUCK - SUV - Rainier

---

## FRONT WHEEL

### 2WD

2005-2004  
 Hub Assembly .....513188[2]

## FRONT WHEEL

### 4WD/AWD

2005-2004  
 Hub Assembly .....513188[2]

Mfg./Year	Model & Location	Part No	Mfg./Year	Model & Location	Part No
-----------	------------------	---------	-----------	------------------	---------

---

## **BUICK TRUCK - SUV - Rainier (cont.)**

---

<b>REAR WHEEL</b>	
<b>2005-2004</b>	
Seal .....	4762N[2]
Cylindrical Bearing .....	513067[2]
Kit .....	TRP59047[2] <sup>19</sup>

<b>4WD FRONT AXLE</b>	
<b>Differential</b>	
<b>2005-2004</b>	
Set .....	SET11[2]

<b>Pinion</b>	
<b>2005-2004</b>	
Cone/Cup (Inner) .....	M88048S-M88010
Cone/Cup (Outer) .....	M86649-M86610

<b>REAR AXLE</b>	
<b>Differential</b>	
<b>2005-2004</b> (7.5", 7.625" R.G.)	
Cone/Cup .....	LM501349-LM501314[2]
<b>2005-2004</b> (8.5", 8.625" R.G.)	
Set .....	SET36[2]

<b>REAR AXLE</b>	
<b>Pinion</b>	
<b>2005-2004</b> (7.5", 7.625" R.G.)	
Cone/Cup (Inner) .....	HM89249-HM89210
Cone/Cup (Outer) .....	M86649-M86610
<b>2005-2004</b> (8.5", 8.625" R.G.)	
Cone/Cup (Inner) .....	NP457992-NP926068
Cone/Cup (Outer) .....	M86649-M86610

<b>CRANKSHAFT REAR SEAL</b>	
<b>8 Cylinder</b>	
<b>2004</b> 325/ 5.3L	
Seal .....	100085

---

## **BUICK TRUCK - SUV - Rendezvous**

---

<b>FRONT WHEEL</b>	
<b>2006-2003</b> (w/o ABS)	
Hub Assembly .....	HA590048[2] <sup>25</sup>
<b>2006-2002</b> (ABS)	
Hub Assembly .....	513187[2]

<b>REAR WHEEL</b>	
<b>2006-2003</b> (w/o ABS)(Disc Brks.)	
Hub Assembly .....	512236[2]
<b>2006-2002</b> (ABS)(Disc Brks.)	
Hub Assembly .....	512222[2]

<b>4WD/AWD</b>	
<b>2006-2002</b>	
Hub Assembly .....	513121[2] <sup>72</sup>

<b>TRANSFER CASE</b>	
<b>Input Shaft</b>	
<b>2003-2002</b>	
Cone/Cup .....	LM503349-LM503310

<b>Front Output Shaft</b>	
<b>2003-2002</b>	
Ball Bearing .....	32006

<b>4-SPEED AUTOMATIC TRANSAXLE</b>	
<b>Torque Convertor</b>	
<b>2002</b> (4T65 E)	
Seal .....	4072N

<b>Output Shaft</b>	
<b>2003-2002</b> (4T65 E)	
Seal (LH) .....	100165
Kwik Slv (Opt Rpr) .....	KWK99139

<b>Selector Shaft Seal/Man. Shaft</b>	
<b>2003-2002</b> (4T65 E)	
Seal .....	8792S
Kwik Slv (Opt Rpr) .....	KWK99050

<b>POWER STEERING</b>	
<b>Pump Shaft</b>	
<b>2002</b>	
Seal .....	7013S

<b>CRANKSHAFT FRONT SEAL</b>	
<b>6 Cylinder</b>	
<b>2004-2002</b> 207/3.4L	
Seal .....	9845
Kwik Slv (Opt Rpr) .....	KWK99176

<b>CRANKSHAFT REAR SEAL</b>	
<b>6 Cylinder</b>	
<b>2004-2002</b> 207/3.4L	
Seal .....	4307V
Seal PTFE H/D Opt .....	5273
Kwik Slv (Opt Rpr) .....	KWK99298

<sup>19</sup>Opt. Axle Rpr Brg. Replaces O.E. Brg & Seal  
Steel Sensor Wire Clip

<sup>25</sup>New Item, Check For Availability

<sup>72</sup>Stainless



# Bearings and Seals

Mfg./Year	Model & Location	Part No	Mfg./Year	Model & Location	Part No
<b>CADILLAC - FRONT DRIVE - Allante</b>					
<b>FRONT WHEEL</b>			<b>A/C COMPRESSOR</b>		
1993	Hub Assembly	513087[2] <sup>45</sup>	1993-1990	(Frigidaire R4)(Harrison DA6, V5, HR6)	
1992-1990	Hub Assembly	513059[2]		Ball Bearing	907257
<b>REAR WHEEL</b>			<b>ALTERNATOR</b>		
1993	Hub Assembly	512006[2]	1991-1990	Ball Bearing (Drive End)	203FF
1992-1991	Hub Assembly	512003[2]		Ball Bearing (Rear End)	100CCAB
1990	Hub Assembly	513041[2]	<b>POWER STEERING</b>		
<b>4-SPEED AUTOMATIC TRANSAXLE</b>			<b>Pump Shaft</b>		
<b>Torque Convertor</b>			1993-1992	Seal	7013S
1993	Seal	224840	1991-1990	Seal	221925
	Kwik Slv (Opt Rpr)	KWK99189	<b>Worm Shaft</b>		
1992-1990	Seal	4072N	1990	Seal	222510
<b>Output Shaft</b>			<b>CRANKSHAFT FRONT SEAL</b>		
1993	Seal (LH)	714679	<b>8 Cylinder</b>		
	Kwik Slv (Opt Rpr) (LH)	KWK99160	1993	281/4.6L	
	Seal (RH)	4674N		Seal Viton	710263
	Kwik Slv (Opt Rpr) (RH)	KWK99160		Kwik Slv (Opt Rpr)	KWK99199
1992-1990	Seal (LH)	710096	1992-1990	273/4.5L	
	Kwik Slv (Opt Rpr) (LH)	KWK99139		Seal	471424
	Seal (RH)	3543		Kwik Slv (Opt Rpr)	KWK99199
	Kwik Slv (Opt Rpr) (RH)	KWK99139	<b>CRANKSHAFT REAR SEAL</b>		
<b>Selector Shaft Seal/Man. Shaft</b>			<b>8 Cylinder</b>		
1993-1990	Seal	8792S	1993	281/4.6L	
				Seal Viton	710262
			1992-1990	273/4.5L	
				Seal Viton	710075

## CADILLAC - FRONT DRIVE - DeVille, Fleetwood

<b>FRONT WHEEL</b>			<b>REAR WHEEL</b>		
2005-2001	(2nd Design)		2005-2000	(w/o H.D. Suspension, Hearse/Limo)	
	Hub Assembly	513179[2] <sup>73</sup>		Hub Assembly	512003[2]
2001-1997	(1st Design)(w/o H.D. Suspension, Hearse/Limo)		2002-1997	(H.D. Suspension)(Hearse/Limo)	
	Hub Assembly	513121[2] <sup>72</sup>		Bearing Assembly	JXC25469CA-90UA7[2]
1999-1998	(H.D. Suspension)(Hearse/Limo)		1999-1994	(w/o H.D. Suspension, Hearse/Limo)	
1996-1994	Hub Assembly	513087[2] <sup>45</sup>		Hub Assembly	512006[2]
1993-1992	(ABS)		1993-1991	(ABS)	
	Hub Assembly	513087[2] <sup>45</sup>		Hub Assembly	513062[2]
1993-1992	(w/o ABS)		1993-1990	(J55 H.D.Brks.)	
	Hub Assembly	513088[2]		Hub Assembly	512005[2]
1993-1990	(J55 H.D.Brks.)		1993-1990	(w/o ABS)	
	Hub Assembly	513063[2]		Hub Assembly	513018[2]
1991-1990	Hub Assembly	513016K[2] <sup>61</sup>	1990	(ABS)	
				Hub Assembly	513041[2]

Mfg./Year	Model & Location	Part No	Mfg./Year	Model & Location	Part No
-----------	------------------	---------	-----------	------------------	---------

**CADILLAC - FRONT DRIVE - DeVille, Fleetwood (cont.)**

**4-SPEED AUTOMATIC TRANSAXLE**

**Torque Converter**

<b>2003-1993</b>	(4T80 E)	
Seal	.....	224840
Kwik Slv (Opt Rpr)	.....	KWK99189
<b>1995-1990</b>	(4T40E)	
Seal	.....	4072N
<b>1990</b>	(THM440 T4)	
Seal	.....	4072N

**Output Shaft**

<b>2002-1993</b>	(4T80 E)	
Seal (LH)	.....	714679
Seal (RH)	.....	4674N
<b>1995-1990</b>	(4T40E)	
Seal (LH)	.....	710096
Kwik Slv (Opt Rpr) (LH)	.....	KWK99139
Seal (RH)	.....	3543
Kwik Slv (Opt Rpr) (RH)	.....	KWK99139
<b>1990</b>	(THM440 T4)	
Seal (LH)	.....	710096
Kwik Slv (Opt Rpr) (LH)	.....	KWK99139
Seal (RH)	.....	3543
Kwik Slv (Opt Rpr) (RH)	.....	KWK99139

**Selector Shaft Seal/Man. Shaft**

<b>2003-1990</b>		
Seal	.....	8792S

**A/C COMPRESSOR**

<b>2002-1990</b>	(Frigidaire R4)(Harrison DA6, V5, HR6)	
Ball Bearing	.....	907257

**ALTERNATOR**

<b>1993-1990</b>		
Ball Bearing (Drive End)	.....	203FF
Ball Bearing (Rear End)	.....	100CCAB

**POWER STEERING**

**Pump Shaft**

<b>1993-1992</b>		
Seal	.....	7013S
<b>1991-1990</b>		
Seal	.....	221925
Ball Bearing	.....	203FF

**CAMSHAFT SEAL**

**8 Cylinder**

<b>2002-1994</b>	281/4.6L	
Seal Viton	.....	710261

**CRANKSHAFT FRONT SEAL**

**8 Cylinder**

<b>2005-2003</b>	279/4.6L (DOHC)	
Seal Viton	.....	710261
<b>2002-1994</b>	281/4.6L	
Seal Viton	.....	710263
Kwik Slv (Opt Rpr)	.....	KWK99199
<b>1995-1991</b>	300/4.9L	
Seal	.....	471424
Kwik Slv (Opt Rpr)	.....	KWK99199
<b>1990</b>	273/4.5L	
Seal	.....	471424
Kwik Slv (Opt Rpr)	.....	KWK99199

**CRANKSHAFT REAR SEAL**

**8 Cylinder**

<b>2002-1994</b>	281/4.6L	
Seal Viton	.....	710262
<b>1995-1991</b>	300/4.9L	
Seal Viton	.....	710075
<b>1990</b>	273/4.5L	
Seal Viton	.....	710075

**CADILLAC - FRONT DRIVE - Eldorado**

**FRONT WHEEL**

<b>2002-2001</b>	(2nd Design)	
Hub Assembly	.....	513179[2] <sup>73</sup>
<b>2001-1997</b>	(1st Design)	
Hub Assembly	.....	513121[2] <sup>72</sup>
<b>1996-1992</b>		
Hub Assembly	.....	513087[2] <sup>45</sup>
<b>1991-1990</b>		
Hub Assembly	.....	513059[2]

**REAR WHEEL**

<b>2002-1993</b>		
Hub Assembly	.....	512006[2]
<b>1992-1991</b>		
Hub Assembly	.....	512003[2]
<b>1990</b>	(ABS)	
Hub Assembly	.....	513041[2]

**REAR WHEEL (cont.)**

<b>1990</b>	(w/o ABS)	
Hub Assembly	.....	513018[2]

**4-SPEED AUTOMATIC TRANSAXLE**

**Torque Converter**

<b>2002-1993</b>	(4T80)	
Seal	.....	224840
Kwik Slv (Opt Rpr)	.....	KWK99189
<b>1995-1990</b>	(4T40E)	
Seal	.....	4072N
<b>1990</b>	(THM440)	
Seal	.....	4072N

<sup>45</sup>Brg Flg Has Non-Threaded Mtg Holes  
Clip

<sup>72</sup>Stainless Steel Sensor Wire Clip

<sup>73</sup>Plastic Sensor Wire

# Bearings and Seals

Mfg./Year	Model & Location	Part No	Mfg./Year	Model & Location	Part No
-----------	------------------	---------	-----------	------------------	---------

## CADILLAC - FRONT DRIVE - Eldorado (cont.)

### 4-SPEED AUTOMATIC TRANSAXLE

#### Output Shaft

<b>2002-1993</b> (4T80)	
Seal (LH) .....	714679
Seal (RH) .....	4674N
<b>1995-1990</b> (4T40E)	
Seal (LH) .....	710096
Kwik Slv (Opt Rpr) (LH) .....	KWK99139
Seal (RH) .....	3543
Kwik Slv (Opt Rpr) (RH) .....	KWK99139
<b>1990</b> (THM440)	
Seal (LH) .....	710096
Kwik Slv (Opt Rpr) (LH) .....	KWK99139
Seal (RH) .....	3543
Kwik Slv (Opt Rpr) (RH) .....	KWK99139

#### Selector Shaft Seal/Man. Shaft

<b>2002-1990</b>	
Seal .....	8792S

### A/C COMPRESSOR

<b>2002-1990</b> (Frigidaire R4)(Harrison DA6, V5, HR6)	
Ball Bearing .....	907257

### ALTERNATOR

<b>1991-1990</b>	
Ball Bearing (Drive End) .....	203FF
Ball Bearing (Rear End) .....	100CCAB

### POWER STEERING

#### Pitman Shaft

<b>1990</b>	
Seal Kit .....	PSK1 <sup>24</sup>

#### Pump Shaft

<b>2001-1994</b> 281/4.6L	
Ball Bearing .....	203FF
<b>1993-1991</b> 281/4.6L	
Seal .....	7013S

### POWER STEERING (cont.)

#### Pump Shaft (cont.)

<b>1993-1991</b> 299/4.9L	
Seal .....	480821
<b>1990</b>	
Seal .....	221925
Ball Bearing .....	203FF

#### Worm Shaft

<b>1991-1990</b>	
Seal .....	222025

### CRANKSHAFT FRONT SEAL

#### 8 Cylinder

<b>2002-1993</b> 281/4.6L	
Seal Viton .....	710263
Kwik Slv (Opt Rpr) .....	KWK99199
<b>1993-1991</b> 300/4.9L	
Seal .....	471424
Kwik Slv (Opt Rpr) .....	KWK99199
<b>1990</b> 273/4.5L	
Seal .....	471424
Kwik Slv (Opt Rpr) .....	KWK99199

### CRANKSHAFT REAR SEAL

#### 8 Cylinder

<b>2002-1993</b> 281/4.6L	
Seal Viton .....	710262
<b>1993-1991</b> 300/4.9L	
Seal Viton .....	710075
<b>1990</b> 273/4.5L	
Seal Viton .....	710075

## CADILLAC - FRONT DRIVE - Seville

### FRONT WHEEL

<b>2004-2001</b> (ABS)	
Hub Assembly .....	513179[2] <sup>73</sup>
<b>2001-1997</b> (ABS)	
Hub Assembly .....	513121[2] <sup>72</sup>
<b>1996-1992</b>	
Hub Assembly .....	513087[2] <sup>45</sup>
<b>1991-1990</b>	
Hub Assembly .....	513059[2]

### REAR WHEEL

<b>2004-1998</b>	
Hub Assembly .....	512003[2]
<b>1997-1993</b>	
Hub Assembly .....	512006[2]

### REAR WHEEL (cont.)

<b>1992-1991</b>	
Hub Assembly .....	512003[2]
<b>1990</b> (ABS)	
Hub Assembly .....	513041[2]
<b>1990</b> (w/o ABS)	
Hub Assembly .....	513018[2]

### 4-SPEED AUTOMATIC TRANSAXLE

#### Torque Convertor

<b>2002-1993</b> (4T80)	
Seal .....	224840
Kwik Slv (Opt Rpr) .....	KWK99189
<b>1995-1990</b> (4T40E)	
Seal .....	4072N

Mfg./Year	Model & Location	Part No	Mfg./Year	Model & Location	Part No
-----------	------------------	---------	-----------	------------------	---------

---

## **CADILLAC - FRONT DRIVE - Seville (cont.)**

---

### **4-SPEED AUTOMATIC TRANSAXLE (cont.)**

#### **Torque Converter (cont.)**

1992-1990 (THM440)	
Seal .....	4072N

#### **Output Shaft**

2002-1993 (4T80)	
Seal (LH) .....	714679
Seal (RH) .....	4674N
1995-1990 (4T40E)	
Seal (LH) .....	710096
Kwik Slv (Opt Rpr) (LH) .....	KWK99139
Seal (RH) .....	3543
Kwik Slv (Opt Rpr) (RH) .....	KWK99139
1992-1990 (THM440)	
Seal (LH) .....	710096
Kwik Slv (Opt Rpr) (LH) .....	KWK99139
Seal (RH) .....	3543
Kwik Slv (Opt Rpr) (RH) .....	KWK99139

#### **Selector Shaft Seal/Man. Shaft**

2002-1990	
Seal .....	8792S

### **A/C COMPRESSOR**

2002-1990 (Frigidaire R4)(Harrison DA6, V5, HR6)	
Ball Bearing .....	907257

### **ALTERNATOR**

1991-1990	
Ball Bearing (Drive End) .....	203FF
Ball Bearing (Rear End) .....	100CCAB

### **POWER STEERING**

#### **Pump Shaft**

2001-1994	
Ball Bearing .....	203FF
1993-1991 281/4.6L	
Seal .....	7013S

### **POWER STEERING (cont.)**

#### **Pump Shaft (cont.)**

1993-1991 299/4.9L	
Seal .....	480821
1990	
Seal .....	221925
Ball Bearing .....	203FF

### **CAMSHAFT SEAL**

#### **8 Cylinder**

2001-1994 281/4.6L	
Seal Viton .....	710261

### **CRANKSHAFT FRONT SEAL**

#### **8 Cylinder**

2001-1993 281/4.6L	
Seal Viton .....	710263
Kwik Slv (Opt Rpr) .....	KWK99199
1993-1991 300/4.9L	
Seal .....	471424
Kwik Slv (Opt Rpr) .....	KWK99199
1990 273/4.5L	
Seal .....	471424
Kwik Slv (Opt Rpr) .....	KWK99199

### **CRANKSHAFT REAR SEAL**

#### **8 Cylinder**

2002-1993 281/4.6L	
Seal Viton .....	710262
1993-1991 300/4.9L	
Seal Viton .....	710075
1990 273/4.5L	
Seal Viton .....	710075

---

## **CADILLAC - REAR DRIVE - Fleetwood**

---

### **FRONT WHEEL**

1996-1990 Fleetwood (ABS)	
Seal (Inner) .....	4739[2]
Set (Inner) .....	SET6[2]
Set (Outer) .....	SET3[2]
1996-1990 Fleetwood (Comm. Ch.)(w/o ABS)	
Seal (Inner) .....	8871[2]
Set (Inner) .....	SET5[2]
Set (Outer) .....	SET3[2]

### **REAR WHEEL**

1996-1990 (11" Brks.)	
Seal .....	8660S[2]
Cylindrical Bearing .....	5707[2]
Kit .....	TRP1563TAV[2] <sup>19</sup>
1990 (12" Brks.)	
Seal .....	8835S[2]
Cylindrical Bearing .....	6408[2]
Kit .....	TRP1559TV[2] <sup>19</sup>

<sup>19</sup>Opt. Axle Rpr Brg. Replaces O.E. Brg & Seal

# Bearings and Seals

Mfg./Year	Model & Location	Part No	Mfg./Year	Model & Location	Part No
<b>CADILLAC - REAR DRIVE - Fleetwood (cont.)</b>					

## REAR AXLE

### Differential Rebuild Kit

1996-1991 (9.5" R.G.)  
 Kit .....DRK324

### Differential

1996-1991 (9.5" R.G.)  
 Cone/Cup .....JLM506849-JLM506811[2]  
 1996-1990 (7.50", 8.50" R.G.)  
 Cone/Cup .....LM501349-LM501314[2]

### Pinion

1996-1991 (9.5" R.G.)  
 Cone/Cup (Inner) .....HM804846-HM804810  
 Seal (Outer) .....3896  
 Cone/Cup (Outer) .....HM88649-HM88610  
 1996-1990 (8.5" R.G.)  
 Cone/Cup (Inner) .....M802048-M802011  
 Seal (Outer) .....2043  
 Cone/Cup (Outer) .....M88048-M88010  
 1990 (7.5" R.G.)  
 Cone/Cup (Inner) .....HM89249-HM89210  
 Seal (Outer) .....8610  
 Cone/Cup (Outer) .....M86649-M86610

## 3-SPEED AUTOMATIC TRANSMISSION

### Torque Converter

1990 (THM200, 2004R)  
 Seal .....3227  
 Kwik Slv (Opt Rpr) .....KWK99174

### Rear Seal/Ext. Housing

1990 (THM200, 2004R)  
 Seal .....9613S

### Selector Shaft Seal/Man. Shaft

1996-1990  
 Seal .....8792S

## 4-SPEED AUTOMATIC TRANSMISSION

### Torque Converter

1996-1990 (HM4L60)  
 Seal .....3227  
 Kwik Slv (Opt Rpr) .....KWK99174  
 1990 (THM2004R)  
 Seal .....3227  
 Kwik Slv (Opt Rpr) .....KWK99174

### Rear Seal/Ext. Housing

1996-1990 (HM4L60)  
 Seal (Rr) .....9613S  
 1990 (THM2004R)  
 Seal (Rr) .....9613S

## 4-SPEED AUTOMATIC TRANSMISSION

### Selector Shaft Seal/Man. Shaft

1996-1990  
 Seal .....8792S

## ALTERNATOR

1991-1990  
 Ball Bearing (Drive End) .....203FF  
 Ball Bearing (Rear End) .....100CCAB

## CRANKSHAFT FRONT SEAL

### 8 Cylinder

1996-1990 350/5.7L  
 Seal .....9845  
 Kwik Slv (Opt Rpr) .....KWK99176  
 1992-1991 305/5.0L  
 Seal .....9845  
 Kwik Slv (Opt Rpr) .....KWK99176  
 1990 307/5.0L  
 Seal .....472082  
 Kwik Slv (Opt Rpr) .....KWK99199

## CRANKSHAFT REAR SEAL

### 8 Cylinder

1996-1990 305/5.0L, 350/5.7L  
 Seal Viton .....4359V  
 Seal PTFE H/D Opt .....5274  
 Kwik Slv (Opt Rpr) .....KWK99364  
 1990 307/5.0L  
 Seal Rope .....5095

Mfg./Year	Model & Location	Part No	Mfg./Year	Model & Location	Part No
<b>CADILLAC - REAR DRIVE - Catera</b>					

<b>FRONT WHEEL</b>	
2001-1997	Hub Assembly ..... HA596467[2]
<b>REAR WHEEL</b>	
2001-1997	Seal ..... 6712NA[2]
	Ball Bearing ..... 510052[2]
<b>4-SPEED AUTOMATIC TRANSMISSION</b>	
<b>Torque Converter</b>	
2001-1997	Seal ..... 3227
	Kwik Slv (Opt Rpr) .....KWK99174
<b>Rear Seal/Ext. Housing</b>	
2001-1997	Seal ..... 9613S
	Seal Kit ..... 5200 <sup>64</sup>
<b>Selector Shaft Seal/Man. Shaft</b>	
2001-1997	Seal ..... 8792S

<b>ALTERNATOR</b>	
2001-1997	Ball Bearing (Drive End) ..... 203FF
	Ball Bearing (Rear End) ..... 100CCAB
<b>CAMSHAFT SEAL</b>	
<b>6 Cylinder</b>	
2001-1997	Seal ..... 714436
<b>CRANKSHAFT FRONT SEAL</b>	
<b>6 Cylinder</b>	
2001-1997	Seal ..... 223750
<b>CRANKSHAFT REAR SEAL</b>	
<b>6 Cylinder</b>	
2001-1997	Seal ..... 710514

**CADILLAC - REAR DRIVE - CTS Sedan, V**

<b>FRONT WHEEL</b>	
2006-2004 CTS V	Hub Assembly ..... HA590077[2]
2006-2003 CTS	Hub Assembly ..... 513186[2]
<b>REAR WHEEL</b>	
2006-2004 CTS V	Hub Assembly ..... HA590082[2]
2006-2003 CTS	Hub Assembly ..... 512223[2]
<b>REAR AXLE</b>	
<b>Pinion</b>	
2004	Cone/Cup (Inner) ..... NP922169-NP233028

<b>CAMSHAFT SEAL</b>	
<b>6 Cylinder</b>	
2004-2003 3.2L/3175 DOHC	Seal ..... 714436[2]
<b>CRANKSHAFT FRONT SEAL</b>	
<b>6 Cylinder</b>	
2004-2003 3.2L/3175 DOHC	Seal ..... 223802
<b>CRANKSHAFT REAR SEAL</b>	
<b>6 Cylinder</b>	
2004-2003 3.2L/3175 DOHC	Seal Viton ..... 710237

**CADILLAC - REAR DRIVE - STS**

<b>FRONT WHEEL</b>	
<b>2WD</b>	
2006-2005	Hub Assembly ..... 513186[2]

<b>FRONT WHEEL</b>	
<b>4WD/AWD</b>	
2006-2005	Hub Assembly ..... HA590049[2] <sup>25</sup>
<b>REAR WHEEL</b>	
2006-2005	Hub Assembly ..... 512223[2]

<sup>25</sup>New Item, Check For Availability

<sup>64</sup>Opt. Seal & Bushing Kit

# Bearings and Seals

Mfg./Year	Model & Location	Part No	Mfg./Year	Model & Location	Part No
-----------	------------------	---------	-----------	------------------	---------

## CADILLAC - REAR DRIVE - XLR

### FRONT WHEEL

2006-2004  
Hub Assembly .....513139[2]

### REAR WHEEL

2006-2004  
Hub Assembly .....512153[2]

### REAR AXLE

#### Differential

2005-2004  
Cone/Cup .....387A-382A[2]

## CADILLAC TRUCK - PICKUP, SUV - Escalade, Escalade ESV, Escalade EXT

### FRONT WHEEL

#### 2WD

2005  
Hub Assembly .....SP450301[2]<sup>76</sup>  
2004-2002  
Hub Assembly .....SP550305[2]<sup>74</sup>

#### 4WD/AWD

2005-2002  
Hub Assembly .....SP550304[2]<sup>74</sup>  
2000-1999  
Hub Assembly (RH) .....SP550300<sup>45 85</sup>  
Hub Assembly (LH) .....SP550301<sup>45 85</sup>  
Sensor Kit (RH) .....SK550300<sup>39</sup>  
Sensor Kit (LH) .....SK550301<sup>39</sup>

### REAR WHEEL

2005-1999  
Seal .....4762N[2]  
Cylindrical Bearing .....513067[2]  
Kit .....TRP59047[2]<sup>19</sup>

### 4WD FRONT AXLE

#### Axle Shaft

2002-1999 (8.25" R.G.)  
Needle Bearing (Inner) .....B2010[2]  
Needle Bearing (Outer) .....SCH208  
Needle Bearing Pilot .....SCH78

#### Differential

2005-2002 Under 7500 GVW  
Cone/Cup .....LM501349-LM501314[2]  
2000-1999 Over 7500 GVW  
Set .....SET42[2]

#### Pinion

2005-2003  
Cone/Cup (Inner) .....NP544520-NP099285  
Cone/Cup (Outer) .....M88048-M88010  
2002-1999  
Cone/Cup (Inner) .....NP457992-NP926068  
Cone/Cup (Outer) .....M88048-M88010

### REAR AXLE

#### Differential Rebuild Kit

2004-2002 (9.5" R.G.)  
Kit .....DRK324B

#### Differential

2005-2002 (8.625" R.G.)  
Set .....SET36[2]  
2005-2002 (9.5" R.G.)  
Set .....SET42[2]  
2000 (2nd design)  
Set .....SET36[2]  
2000-1999 (1st design)  
Cone/Cup .....LM501349-LM501314[2]

#### Pinion

2005-2002 (8.625" R.G.)  
Cone/Cup (Inner) .....NP544520-NP099285  
Seal (Outer) .....710506  
Cone/Cup (Outer) .....M88048-M88010  
2004-2002 (9.5" R.G.)  
Cone/Cup (Inner) .....HM804846-HM804810  
Seal (Outer) .....710507  
Cone/Cup (Outer) .....HM88649-HM88610  
2000-1999 (8.625" R.G.)  
Cone/Cup (Inner) .....NP457992-NP926068  
Seal (Outer) .....710506  
Cone/Cup (Outer) .....M88048-M88010

#### TRANSFER CASE REBUILD KIT

2000-1999 (New Process 243)  
Kit .....TCRK241D<sup>16</sup>

#### TRANSFER CASE

##### Input Shaft

2000-1999 (New Process 243)  
Seal .....3173[2]  
Ball Bearing .....110L  
Seal Dual Lip .....710928  
Kwik Slv (Opt Rpr) .....KWK99193  
Needle Bearing Pilot .....FC66561

Mfg./Year	Model & Location	Part No	Mfg./Year	Model & Location	Part No
<b>CADILLAC TRUCK - PICKUP, SUV - Escalade, Escalade ESV, Escalade EXT</b>					
<b>(cont.)</b>					

**TRANSFER CASE**

**Front Output Shaft**

2000-1999 (New Process 243)	
Seal .....	3946
Ball Bearing .....	207
Kwik Slv (Opt Rpr) .....	KWK99187
Needle Bearing Pilot .....	J2416

**Rear Output Shaft**

2000-1999 (New Process 243)	
Seal .....	4333N
Ball Bearing .....	207
Needle Bearing Pilot .....	B5020[2]

**Oil Pump Housing**

2000-1999 (New Process 243)	
Seal .....	341022
Kwik Slv (Opt Rpr) .....	KWK99225

**4-SPEED AUTOMATIC TRANSMISSION**

**Torque Converter**

2002-1999 (4L60E)	
Seal .....	4950
Kwik Slv (Opt Rpr) .....	KWK99174
2002-1999 (4L80E)	
Seal .....	4598
Kwik Slv (Opt Rpr) .....	KWK99199

**Rear Seal/Ext. Housing**

2002 (4L60E)	
Seal .....	9613S
Seal Kit .....	5200 <sup>64</sup>
2002-1999 (4L80E)(booted)	
Seal .....	4333N
2002-1999 (4L80E)(w/o boot)	
Seal .....	9449
Seal Kit .....	5208 <sup>64</sup>
2000-1999 (4L60E)	
Seal .....	4934

**4-SPEED AUTOMATIC TRANSMISSION**

**Selector Shaft Seal/Man. Shaft**

2002-1999	
Seal .....	8792S

**Output Shaft**

2002-1999 (4L80E)	
Seal .....	4934

**A/C COMPRESSOR**

2002-1999 (Frigidaire R4)	
Ball Bearing (Frt Head) .....	S128
2002-1999 (Frigidaire R4)	
Ball Bearing .....	907257

**ALTERNATOR**

2000-1999	
Ball Bearing (Rear End) .....	100CCAB

**POWER STEERING**

**Pump Shaft**

2002-1999	
Seal .....	7013S

**CRANKSHAFT FRONT SEAL**

**8 Cylinder**

2000-1999 350/5.7L	
Seal .....	9845
Kwik Slv (Opt Rpr) .....	KWK99176

**CRANKSHAFT REAR SEAL**

**8 Cylinder**

2004-2002 325/5.3L, 364/6.0L	
Seal .....	100085
2000-1999 350/5.7L	
Seal Viton .....	4359V

**CADILLAC TRUCK - PICKUP, SUV - SRX**

**FRONT WHEEL**

**2WD**

2006-2004	
Hub Assembly .....	HA590077[2]

**4WD/AWD**

2006-2004	
Hub Assembly .....	HA590078[2]

**REAR WHEEL**

2006-2004	
Hub Assembly .....	HA590079[2]

<sup>64</sup>Opt. Seal & Bushing Kit



# Bearings and Seals

Mfg./Year	Model & Location	Part No	Mfg./Year	Model & Location	Part No
-----------	------------------	---------	-----------	------------------	---------

## CHEVROLET - FRONT DRIVE - Aveo

### FRONT WHEEL

2005-2004  
Set ..... SET35[2]

### REAR WHEEL

2005-2004 (Drum & Brg One Unit;  
Non-Serviceable; Currently  
Dealer Only)

## CHEVROLET - FRONT DRIVE - Beretta, Cavalier, Corsica

### FRONT WHEEL

2005-1997  
Hub Assembly ..... 513017K[2]<sup>61</sup>  
1996-1990  
Hub Assembly ..... 513017K[2]<sup>61</sup>  
Seal Kit ..... 5697[2]<sup>12</sup>

### REAR WHEEL

2005-2004 (ABS)  
Hub Assembly ..... 512001[2]  
2005-2004 (w/o ABS)  
Hub Assembly ..... 513012[2]  
2003-1992  
Hub Assembly ..... 512001[2]  
1991-1990  
Hub Assembly ..... 513012[2]

### CLUTCH - 4 CYLINDER

#### Release Bearing

2001-1995  
Hyd. Bearing Assembly ..... 619006  
1994-1993 138/2.3L  
Hyd. Bearing Assembly ..... 619005  
1994-1990 Isuzu  
Bearing Assembly ..... 614108  
1992-1990 (5 Spd.)(Muncie Trans.)  
Bearing Assembly ..... 614069

### CLUTCH - 6 CYLINDER

#### Release Bearing

1996-1993 189/3.1L  
Hyd. Bearing Assembly ..... 619005  
1992-1990 (5 Spd.)(Muncie Trans.)  
Bearing Assembly ..... 614069

### 3-SPEED AUTOMATIC TRANSAXLE

#### Torque Converter

2002-1990  
Seal ..... 4072N  
Kwik Slv (Opt Rpr) ..... KWK99172

### 3-SPEED AUTOMATIC TRANSAXLE

#### Output Shaft

2002-1990  
Seal (LH) ..... 3543  
Kwik Slv (Opt Rpr) (LH) ..... KWK99139  
Seal Kit (LH) Opt ..... 5690<sup>18</sup>  
Seal (RH) ..... 3543  
Kwik Slv (Opt Rpr) (RH) ..... KWK99139  
Seal Kit (RH) Opt ..... 5690<sup>18</sup>

#### Selector Shaft Seal/Man. Shaft

2002-1990  
Seal ..... 8792S

### 4-SPEED AUTOMATIC TRANSAXLE

#### Torque Converter

2002-1994  
Seal ..... 4072N

#### Output Shaft

2002-1995 Cavalier  
Seal (LH) ..... 710096  
Seal (RH) ..... 3543  
1996-1994 Beretta, Corsica  
Seal (LH) ..... 710096  
Seal (RH) ..... 3543

#### Selector Shaft Seal/Man. Shaft

2002-1994  
Seal ..... 8792S

### 4-SPEED MANUAL TRANSAXLE

#### Output Shaft

2003-2000  
Seal (LH) ..... 100165  
Seal (RH) ..... 3543

### 5-SPEED MANUAL TRANSAXLE

#### Differential

1999-1990 Isuzu  
Bearing Assembly ..... 32008XM  
1994-1990 (Exc. Isuzu)  
Set ..... SET11[2]

**5-SPEED MANUAL TRANSAXLE**

**Input Shaft**

<b>2003-2000</b>	Seal .....	222835
	Kwik Slv (Opt Rpr) .....	KWK99111
<b>1999-1995</b> Isuzu	Seal (Frt) .....	222835
	Ball Bearing (Frt) .....	306VVL
	Kwik Slv (Opt Rpr) .....	KWK99111
<b>1994-1990</b> Isuzu	Seal (Frt) .....	222835
	Bearing Assembly (Frt) .....	32206M
	Kwik Slv (Opt Rpr) .....	KWK99111
	Bearing Assembly (Rr) .....	30306M
<b>1992-1990</b> (Exc. Isuzu)	Ball Bearing (Frt) .....	305DD

**Output Shaft**

<b>1999-1990</b>	Seal (LH) .....	3543
	Set (LH) .....	SET5
	Kwik Slv (Opt Rpr) (LH) .....	KWK99139
	Seal (RH) .....	3543
	Bearing Assembly (RH) .....	32206M
	Kwik Slv (Opt Rpr) (RH) .....	KWK99139

**Selector Shaft Seal/Man. Shaft**

<b>1999-1990</b> Isuzu	Seal .....	710243
	Kwik Slv (Opt Rpr) .....	KWK99058

**ALTERNATOR**

<b>1990</b>	Ball Bearing (Drive End) .....	203FF
<b>1990</b>	Ball Bearing (Rear End) .....	MNJ471S

**POWER STEERING**

**Pump Shaft**

<b>2002-1992</b>	Seal .....	7013S
<b>1991-1990</b>	Seal .....	221925

**CAMSHAFT SEAL**

**4 Cylinder**

<b>2001-1996</b> 146/2.4L	Seal Viton .....	713771
	Kwik Slv (Opt Rpr) .....	KWK99139
<b>1995-1990</b> 138/2.3L (DOHC)	Seal Viton .....	713771
	Kwik Slv (Opt Rpr) .....	KWK99139

**CRANKSHAFT FRONT SEAL**

**4 Cylinder**

<b>2004-1990</b> 134/2.2L	Seal .....	9845
	Kwik Slv (Opt Rpr) .....	KWK99176
	Harmonic Balancer Slv	
	Opt .....	88176
<b>2002-1996</b> 146/2.4L	Seal Viton .....	320259
	Kwik Slv (Opt Rpr) .....	KWK99199
<b>1995-1990</b> 138/2.3L (DOHC)	Seal Viton .....	320259
	Kwik Slv (Opt Rpr) .....	KWK99199

**6 Cylinder**

<b>1996-1990</b> 189/3.1L	Seal .....	9845
	Kwik Slv (Opt Rpr) .....	KWK99176
	Harmonic Balancer Slv	
	Opt .....	88176

**CRANKSHAFT REAR SEAL**

**4 Cylinder**

<b>2004-2002</b> 134/2.2L (DOHV)	Seal .....	4307V
<b>2002-1996</b> 146/2.4L	Seal .....	40375
<b>2002-1990</b> 134/2.2L (OHV)	Seal .....	4307V
	Seal PTFE H/D Opt .....	5273
	Kwik Slv (Opt Rpr) .....	KWK99298
<b>1995-1990</b> 138/2.3L (DOHC)	Seal .....	40375

# Bearings and Seals

Mfg./Year	Model & Location	Part No	Mfg./Year	Model & Location	Part No
<b>CHEVROLET - FRONT DRIVE - Beretta, Cavalier, Corsica (cont.)</b>					

## CRANKSHAFT REAR SEAL

### 6 Cylinder

1996-1990	189/3.1L	
Seal	.....	4307V
Seal PTFE H/D Opt	.....	5273
Kwik Slv (Opt Rpr)	.....	KWK99298

## CHEVROLET - FRONT DRIVE - Celebrity

### FRONT WHEEL

1990	(JA2, JA3, JA8, Brks.)	
Hub Assembly	.....	513016K[2] <sup>61</sup>
Seal Kit	.....	5698[2] <sup>12</sup>

### REAR WHEEL

1990		
Hub Assembly	.....	513018[2]

### CLUTCH

#### Release Bearing

1990	(5 Spd.)(Muncie Trans.)	
Bearing Assembly	.....	614069
1990	(5 Spd.)(Isuzu Trans.)	
Bearing Assembly	.....	614108

### 3-SPEED AUTOMATIC TRANSAXLE

#### Torque Converter

1990		
Seal	.....	4072N

#### Output Shaft

1990		
Seal	.....	3543[2]
Kwik Slv (Opt Rpr)	.....	KWK99139[2]

#### Selector Shaft Seal/Man. Shaft

1990		
Seal	.....	340847
Kwik Slv (Opt Rpr)	.....	KWK99049

### 4-SPEED AUTOMATIC TRANSAXLE

#### Torque Converter

1990		
Seal	.....	4072N

#### Output Shaft

1990		
Seal (LH)	.....	710096
Kwik Slv (Opt Rpr) (LH)	.....	KWK99139
Seal (RH)	.....	3543
Kwik Slv (Opt Rpr) (RH)	.....	KWK99139

### 4-SPEED AUTOMATIC TRANSAXLE

#### Selector Shaft Seal/Man. Shaft

1990		
Seal	.....	340847
Kwik Slv (Opt Rpr)	.....	KWK99049

### ALTERNATOR

1990		
Ball Bearing (Drive End)	.....	203FF
1990		
Ball Bearing (Rear End)	.....	100CCAB

### CRANKSHAFT FRONT SEAL

#### 4 Cylinder

1990	151/2.5L	
Seal	.....	9845
Kwik Slv (Opt Rpr)	.....	KWK99176

#### 6 Cylinder

1990	189/3.1L	
Seal	.....	9845
Kwik Slv (Opt Rpr)	.....	KWK99176
Harmonic Balancer Slv		
Opt	.....	88176

### CRANKSHAFT REAR SEAL

#### 4 Cylinder

1990	151/2.5L	
Seal	.....	3698

#### 6 Cylinder

1990	191/3.1L	
Seal	.....	4307V
Seal PTFE H/D Opt	.....	5273
Kwik Slv (Opt Rpr)	.....	KWK99298

Mfg./Year	Model & Location	Part No	Mfg./Year	Model & Location	Part No
-----------	------------------	---------	-----------	------------------	---------

**CHEVROLET - FRONT DRIVE - Cobalt**

**FRONT WHEEL**

2006-2005 (SS)	
Hub Assembly .....	HA590086[2]
2006-2005 (w/o SS)(ABS)	
Hub Assembly .....	HA590068[2]
2006-2005 (w/o SS)(w/o ABS)	
Hub Assembly .....	HA590069[2]

**REAR WHEEL**

2006-2005 (ABS)	
Hub Assembly .....	HA590066[2]

**REAR WHEEL (cont.)**

2006-2005 (w/o ABS)	
Hub Assembly .....	HA590067[2]

**CHEVROLET - FRONT DRIVE - Impala, Lumina, Monte Carlo**

**FRONT WHEEL**

2005-2000 Impala, Monte Carlo (ABS)	
Hub Assembly .....	513179[2] <sup>73</sup>
2005-2000 Impala, Monte Carlo (w/o ABS)	
Hub Assembly .....	513160[2]
2001-2000 Impala, Monte Carlo (ABS)	
Hub Assembly .....	513121[2] <sup>72</sup>
2001-1990 Lumina	
Hub Assembly .....	513044[2]
1999-1995 Monte Carlo	
Hub Assembly .....	513044[2]

**REAR WHEEL**

2005-2004 Impala, Monte Carlo (ABS)	
Hub Assembly .....	512237[2]
2005-2000 Impala, Monte Carlo (w/o ABS)	
Hub Assembly .....	512221[2]
2003-2000 Impala, Monte Carlo (ABS)	
Hub Assembly .....	512237[2]
2002-2000 Impala (Drum Brks.)	
Hub Assembly .....	513018[2]
2001-2000 Lumina (ABS)	
Hub Assembly .....	512151[2]
2001-2000 Lumina (w/o ABS)	
Hub Assembly .....	513018[2]
1999-1997 (ABS)	
Hub Assembly .....	512151[2]
1999-1990 (w/o ABS)	
Hub Assembly .....	513018[2]
1996-1992 (ABS)	
Hub Assembly .....	512004[2]

**3-SPEED AUTOMATIC TRANSAXLE**

**Torque Converter**

1993-1990	
Seal .....	4072N
Kwik Slv (Opt Rpr) .....	KWK99062

**3-SPEED AUTOMATIC TRANSAXLE**

**Output Shaft**

1993-1990	
Seal .....	3543[2]
Kwik Slv (Opt Rpr) .....	KWK99139[2]

**Selector Shaft Seal/Man. Shaft**

1993-1990	
Seal .....	8792S

**4-SPEED AUTOMATIC TRANSAXLE**

**Torque Converter**

2002-1990	
Seal .....	4072N

**Output Shaft**

2003-1997 (4T65)	
Seal (LH) .....	100165
Kwik Slv (Opt Rpr) (LH) .....	KWK99139
Seal (RH) .....	3543
Kwik Slv (Opt Rpr) (RH) .....	KWK99139
1999-1990 (HM4T60, E)	
Seal (LH) .....	710096
Kwik Slv (Opt Rpr) (LH) .....	KWK99139
Seal (RH) .....	3543
Kwik Slv (Opt Rpr) (RH) .....	KWK99139

**Selector Shaft Seal/Man. Shaft**

2002-1990	
Seal .....	8792S

**5-SPEED MANUAL TRANSAXLE**

**Differential**

1992-1991	
Set .....	SET11[2]

<sup>72</sup>Stainless Steel Sensor Wire Clip

<sup>73</sup>Plastic Sensor Wire Clip

# Bearings and Seals

Mfg./Year    Model & Location    Part No    Mfg./Year    Model & Location    Part No

## **CHEVROLET - FRONT DRIVE - Impala, Lumina, Monte Carlo (cont.)**

### **5-SPEED MANUAL TRANSAXLE**

#### **Input Shaft**

2003-2000  
 Seal ..... 222835  
 Kwik Slv (Opt Rpr) .....KWK99111  
 1992-1991  
 Ball Bearing ..... 305DD

#### **Output Shaft**

1992-1991  
 Seal (LH) .....2003N  
 Set (LH) ..... SET5  
 Kwik Slv (Opt Rpr) (LH) ..... KWK99146  
 Seal (RH) ..... 2003N  
 Cone/Cup (RH) .....LM503349A-LM503310  
 Kwik Slv (Opt Rpr) (RH) .....KWK99146

#### **Selector Shaft Seal/Man. Shaft**

1992-1991  
 Seal .....3667

### **A/C COMPRESSOR**

2002-1990 (Harrison V5)  
 Ball Bearing ..... 907257

### **ALTERNATOR**

1998  
 Ball Bearing (Rear End) ..... 100CCAB  
 1992-1991  
 Ball Bearing (Drive End) ..... 203FF

### **POWER STEERING**

#### **Pump Shaft**

2002-1992  
 Seal ..... 7013S  
 1991-1990  
 Ball Bearing ..... 203FF

### **CAMSHAFT SEAL**

#### **6 Cylinder**

1997-1991 201/3.4L (DOHC)  
 Seal Viton ..... 474241V  
 Kwik Slv (Opt Rpr) .....KWK99166

### **CRANKSHAFT FRONT SEAL**

#### **4 Cylinder**

1993 134/2.2L  
 Seal .....9845  
 Kwik Slv (Opt Rpr) .....KWK99176  
 Harmonic Balancer Slv  
 Opt ..... 88176  
 1992-1990 151/2.5L  
 Seal .....9845  
 Kwik Slv (Opt Rpr) .....KWK99176  
 Harmonic Balancer Slv  
 Opt ..... 88176

### **CRANKSHAFT FRONT SEAL**

#### **6 Cylinder**

2004-2000 201/3.4L OHV  
 Seal ..... 9845  
 Kwik Slv (Opt Rpr) .....KWK99176  
 Harmonic Balancer Slv  
 Opt ..... 88176  
 2004-1998 3800/3.8L  
 Seal Viton ..... 710162  
 Kwik Slv (Opt Rpr) .....KWK99193  
 2001-1995 191/3.1L  
 Seal ..... 9845  
 Kwik Slv (Opt Rpr) .....KWK99176  
 Harmonic Balancer Slv  
 Opt ..... 88176  
 1997-1991 201/3.4L (DOHC)  
 Seal ..... 9845  
 Kwik Slv (Opt Rpr) .....KWK99176  
 Harmonic Balancer Slv  
 Opt ..... 88176

### **CRANKSHAFT REAR SEAL**

#### **4 Cylinder**

1993 134/2.2L  
 Seal ..... 4307V  
 Seal PTFE H/D Opt ..... 5273  
 Kwik Slv (Opt Rpr) .....KWK99298  
 1992-1990 151/2.5L  
 Seal ..... 3698

#### **6 Cylinder**

2004-2000 201/3.4L OHV  
 Seal ..... 4307V  
 Seal PTFE H/D Opt ..... 5273  
 Kwik Slv (Opt Rpr) .....KWK99298  
 2004-1998 3800/3.8L  
 Seal Viton ..... 320691  
 Kwik Slv (Opt Rpr) .....KWK99328  
 2001-1995 191/3.1L  
 Seal ..... 4307V  
 Seal PTFE H/D Opt ..... 5273  
 Kwik Slv (Opt Rpr) .....KWK99298  
 1997-1991 201/3.4L (DOHC)  
 Seal ..... 4307V  
 Seal PTFE H/D Opt ..... 5273  
 Kwik Slv (Opt Rpr) .....KWK99298

Mfg./Year	Model & Location	Part No	Mfg./Year	Model & Location	Part No
<b>CHEVROLET - FRONT DRIVE - Malibu, Fleet Classic (Fleet Vehicle)</b>					

**FRONT WHEEL**

<b>2006-2004</b>		
Hub Assembly	.....	HA590070[2]
<b>2003-1997</b>		
Hub Assembly	.....	513137[2]

**REAR WHEEL**

<b>2006-2004</b>	(ABS)(Disc & Drum)	
Hub Assembly	.....	HA590080[2]
<b>2006-2004</b>	(w/o ABS)(Drum Brks.)	
Hub Assembly	.....	HA590081[2]
<b>2005-2001</b>	Classic	
Hub Assembly	.....	512152[2]
<b>2000-1997</b>		
Hub Assembly	.....	512003[2]

**4-SPEED AUTOMATIC TRANSAXLE**

**Torque Convertor**

<b>2002-1997</b>		
Seal	.....	4072N

**Output Shaft**

<b>2003-1999</b>	(4T65)	
Seal (LH)	.....	100165
Kwik Slv (Opt Rpr) (LH)	.....	KWK99139
Seal (RH)	.....	3543
Kwik Slv (Opt Rpr) (RH)	.....	KWK99139
<b>1999-1997</b>		
Seal (LH)	.....	710096
Kwik Slv (Opt Rpr) (LH)	.....	KWK99139
Seal (RH)	.....	3543
Kwik Slv (Opt Rpr) (RH)	.....	KWK99139

**Selector Shaft Seal/Man. Shaft**

<b>2002-1997</b>		
Seal	.....	8792S
Kwik Slv (Opt Rpr)	.....	KWK99049

**A/C COMPRESSOR**

<b>2002-1997</b>	(Harrison V5)	
Ball Bearing	.....	907257

**POWER STEERING**

**Pump Shaft**

<b>2002-1997</b>		
Seal	.....	7013S

**CRANKSHAFT FRONT SEAL**

**4 Cylinder**

<b>1999-1997</b>	146/2.4L	
Seal Viton	.....	320259
Kwik Slv (Opt Rpr)	.....	KWK99199

**6 Cylinder**

<b>2004</b>	213/3.5L	
Seal	.....	9845
<b>2003-1997</b>	191/3.1L	
Seal	.....	9845
Kwik Slv (Opt Rpr)	.....	KWK99176
Harmonic Balancer Slv		
Opt	.....	88176

**CRANKSHAFT REAR SEAL**

**4 Cylinder**

<b>1999-1997</b>	146/2.4L	
Seal	.....	40375

**6 Cylinder**

<b>2004</b>	213/3.5L	
Seal	.....	4307V
Seal PTFE H/D	.....	5273
Kwik Slv (Opt Rpr)	.....	KWK99298
<b>2003-1997</b>	191/3.1L	
Seal	.....	4307V
Seal PTFE H/D Opt	.....	5273
Kwik Slv (Opt Rpr)	.....	KWK99298

**CHEVROLET - REAR DRIVE - Caprice (pre 94), Estate Wagon, Impala (pre 94)**

**FRONT WHEEL**

<b>1993-1990</b>		
Seal (Inner)	.....	8871[2]
Set (Inner)	.....	SET6[2]
Set (Outer)	.....	SET3[2]

**REAR WHEEL**

<b>1993-1990</b>	(7.5", 7.75", 8.5" R.G.)(Chevrolet Axle)	
Seal	.....	8660S[2]
Cylindrical Bearing	.....	5707[2]
Kit	.....	TRP1563TAV[2] <sup>19</sup>

**REAR WHEEL (cont.)**

<b>1993-1990</b>	(8.5", 8.75", 8.875" R.G.)(Pontiac Axle)(Wagons)(Locking Diff.)(Police, Taxi)	
Seal	.....	8835S[2]
Cylindrical Bearing	.....	6408[2]
Kit	.....	TRP1559TV[2] <sup>19</sup>

<sup>19</sup>Opt. Axle Rpr Brg. Replaces O.E. Brg & Seal

# Bearings and Seals

Mfg./Year	Model & Location	Part No	Mfg./Year	Model & Location	Part No
<b>CHEVROLET - REAR DRIVE - Caprice (pre 94), Estate Wagon, Impala (pre 94)</b>					
<b>(cont.)</b>					

## REAR AXLE

### Differential Rebuild Kit

1996-1990 (7.5, 7.625" R.G.)	
Kit .....	DRK320

### Differential

1993-1990	
Cone/Cup .....	LM501349-LM501314[2]

### Pinion

1993-1990 (7.5", 7.625" R.G.)	
Cone/Cup (Inner) .....	HM89249-HM89210
Seal (Outer) .....	8610
Cone/Cup (Outer) .....	M86649-M86610
1993-1990 (8.5", 8.75", 8.875" R.G.)	
Cone/Cup (Inner) .....	M802048-M802011
Seal (Outer) .....	2043
Cone/Cup (Outer) .....	M88048-M88010

## 3-SPEED AUTOMATIC TRANSMISSION

### Torque Converter

1991-1990 (THM200)	
Seal .....	3227
Kwik Slv (Opt Rpr) .....	KWK99174
1990 (HM3L80)	
Seal .....	6712NA

### Rear Seal/Ext. Housing

1991-1990 (THM200, 350)	
Seal .....	9613S
Seal Kit .....	5200 <sup>64</sup>
Kwik Slv (Opt Rpr) .....	KWK99149

### Selector Shaft Seal/Man. Shaft

1991-1990 (THM200)	
Seal .....	8792S

## 4-SPEED AUTOMATIC TRANSMISSION

### Torque Converter

1993-1990 (HM4L60)	
Seal .....	3227
1993-1990 (THM700 R4)	
Seal .....	3227

### Rear Seal/Ext. Housing

1993-1990 (HM4L60)	
Seal .....	9613S
1993-1990 (THM700 R4)	
Seal .....	9613S

## 4-SPEED AUTOMATIC TRANSMISSION

### Selector Shaft Seal/Man. Shaft

1993-1990 (HM4L60)	
Seal .....	8792S
1993-1990 (THM700 R4)	
Seal .....	8792S

## ALTERNATOR

1993-1990 (Delco 120, 124 Amp.)	
Ball Bearing (Drive End) .....	203FF
Ball Bearing (Rear End) .....	100CCAB

## CRANKSHAFT FRONT SEAL

### 6 Cylinder

1993-1990 262/4.3L	
Seal .....	9845
Kwik Slv (Opt Rpr) .....	KWK99176

### 8 Cylinder

1993-1990 350/5.7L	
Seal .....	9845
Kwik Slv (Opt Rpr) .....	KWK99176
1993-1990 305/5.0L	
Seal .....	9845
Kwik Slv (Opt Rpr) .....	KWK99176
1990 307/5.0L	
Seal Viton .....	320259
Kwik Slv (Opt Rpr) .....	KWK99199

## CRANKSHAFT REAR SEAL

### 6 Cylinder

1993-1990 262/4.3L	
Seal Viton .....	4359V
Seal PTFE H/D Opt .....	5274
Kwik Slv (Opt Rpr) .....	KWK99364

### 8 Cylinder

1993-1990 305/5.0L	
Seal .....	5092
1993-1990 350/5.7L code (L), (V)	
Seal .....	5092
1990 307/5.0L	
Seal .....	5092

### FRONT WHEEL

<b>2002-1993 (ABS)</b>	
Hub Assembly .....	513090[2]
<b>1992-1990 (Exc. Z28, IROC)</b>	
Seal (Inner) .....	8871[2]
Set (Inner) .....	SET6[2]
Set (Outer) .....	SET34[2]
<b>1992-1990 Z28, IROC</b>	
Seal (Inner) .....	8871[2]
Set (Inner) .....	SET6[2]
Set (Outer) .....	SET3[2]

### REAR WHEEL

<b>2002-1991</b>	
Seal .....	8660S[2]
Cylindrical Bearing .....	5707[2]
Kit .....	TRP1563TAV[2] <sup>19</sup>
<b>1990 (7.75" R.G.)</b>	
Seal (LH) .....	224255
Set (LH) .....	SET9
Seal (RH) .....	710179
Set (RH) .....	SET9
<b>1990 (w/o 7.75" R.G.)</b>	
Seal .....	8660S[2]
Cylindrical Bearing .....	5707[2]
Kit .....	TRP1563TAV[2] <sup>19</sup>

### REAR AXLE

#### Differential Rebuild Kit

<b>2002-1999 (10 bolt Hsg. cover)(7.50 , 7.625" R.G.)</b>	
Kit .....	DRK320C <sup>25</sup>
<b>1998-1990 (10 bolt Hsg. cover)(7.50 , 7.625" R.G.)</b>	
Kit .....	DRK320
<b>1993-1990 (7.75" R.G.)</b>	
Kit .....	DRK326

#### Differential

<b>2002-1990 (7.5", 7.625", 8.5" R.G.)</b>	
Cone/Cup .....	LM501349-LM501314[2]
<b>1990 (7.75" R.G.)</b>	
Set .....	SET47[2]

#### Pinion

<b>2002-1999</b>	
Cone/Cup (Inner) .....	HM89249-HM89210
Seal (Outer) .....	40006689 <sup>16</sup>
Cone/Cup (Outer) .....	M86649-M86610
<b>1998-1990 (7.5, 7.625" R.G.)</b>	
Cone/Cup (Inner) .....	HM89249-HM89210
Seal (Outer) .....	8610
Cone/Cup (Outer) .....	M86649-M86610
<b>1990 (7.75" R.G.)</b>	
Cone/Cup (Inner) .....	HM89446-HM89410
Seal (Outer) .....	7457N
Cone/Cup (Outer) .....	M86649-M86610

### AUTOMATIC TRANSMISSION

#### Selector Shaft Seal/Man. Shaft

<b>1992-1990 (HM4L60)</b>	
Seal .....	8792S
<b>1992-1990 (THM200)</b>	
Seal .....	8792S

### 3-SPEED AUTOMATIC TRANSMISSION

#### Selector Shaft Seal/Man. Shaft

<b>1992-1990</b>	
Seal .....	8792S

### 4-SPEED AUTOMATIC TRANSMISSION

#### Torque Converter

<b>2002-1990 (THM700)(4L60 E)</b>	
Seal .....	3227
Kwik Slv (Opt Rpr) .....	KWK99174

#### Rear Seal/Ext. Housing

<b>2002-1990 (THM700)(4L60 E)</b>	
Seal .....	9613S
Seal Kit .....	5200 <sup>64</sup>

#### Selector Shaft Seal/Man. Shaft

<b>2002-1990</b>	
Seal .....	8792S

### CLUTCH

#### Pilot Bearing

<b>2002-1993 8 Cyl.</b>	
Ball Bearing .....	57080
<b>2002-1990 6 Cyl.</b>	
Bushing H/D .....	PB652HD
<b>1992 8 Cyl. 5.0L LB9</b>	
Ball Bearing .....	57080
<b>1992 8 Cyl. Exc. 5.0L LB9</b>	
Bushing H/D .....	PB656HD
<b>1991-1990 8 Cyl.</b>	
Bushing H/D .....	PB656HD

### CLUTCH - 6 CYLINDER

#### Release Bearing

<b>2002-1995 3800/3.8L</b>	
Bearing Assembly .....	614174
<b>1995-1990 (w/o 3800/3.8L)</b>	
Bearing Assembly .....	614083

### CLUTCH - 8 CYLINDER

#### Release Bearing

<b>2002-1998</b>	
Bearing Assembly .....	614174
<b>1997-1993</b>	
Bearing Assembly .....	614116
<b>1992-1990</b>	
Bearing Assembly .....	614083

<sup>16</sup>Part Obsolete, Check For Availability, While Supplies Last      <sup>19</sup>Opt. Axle Rpr Brg. Replaces O.E. Brg & Seal      <sup>25</sup>New Item, Check For Availability      <sup>64</sup>Opt. Seal & Bushing Kit



# Bearings and Seals

Mfg./Year	Model & Location	Part No	Mfg./Year	Model & Location	Part No
-----------	------------------	---------	-----------	------------------	---------

## CHEVROLET - REAR DRIVE - Camaro, IROC, SS, Z-28 (cont.)

### 5-SPEED MANUAL TRANSMISSION

#### Transmission Rebuild Kit

2002-1990 (Warner T5 World Class)  
 Kit .....TRK5W

#### Front Input Shaft

2002-1990 (Warner T5 World Class)  
 Seal ..... 7412S  
 Set ..... SET5  
 Kwik Slv (Opt Rpr) .....KWK99125

#### Front Countershaft

2002-1990 (Warner T5 World Class)  
 Cone/Cup (Frt) ..... LM67048-LM67010BCE  
 Set (Rr) ..... SET6  
 Needle Bearing Thrust .....NTA1423

#### Mainshaft Pilot

2002-1990 (Warner T5 World Class)  
 Needle Bearing .....QBR23549[15]

#### Rear Output Shaft

2002-1990 (Warner T5 World Class)  
 Seal .....9613S  
 Cone/Cup ..... 25877-25821  
 Seal Kit .....5200<sup>64</sup>

### 6-SPEED MANUAL TRANSMISSION

#### Transmission Rebuild Kit

2002-1993 (Warner T56)  
 Kit .....TRK56

#### Front Input Shaft

2002-1993  
 Seal ..... 7412S  
 Cone/Cup ..... M88048-M88010  
 Kwik Slv (Opt Rpr) .....KWK99125

#### Center Counter Shaft

2002-1993  
 Set (Frt) ..... SET5  
 Bearing Assembly (Rr) ..... 32008XM

#### Rear Output Shaft

2002-1993  
 Seal .....9613S  
 Set ..... SET16  
 Seal Kit .....5200<sup>64</sup>

### A/C COMPRESSOR

2002-1990  
 Ball Bearing ..... 907257  
 1995-1990  
 Ball Bearing (Frt Head) ..... S128

### ALTERNATOR

2001-1990  
 Ball Bearing (Rear End) ..... 100CCAB

### POWER STEERING

#### Pump Shaft

2002-1990  
 Seal ..... 7013S

### CRANKSHAFT FRONT SEAL

#### 6 Cylinder

2002-1995 3800/3.8L  
 Seal Viton ..... 710162  
 Kwik Slv (Opt Rpr) .....KWK99193  
 1995-1993 201/3.4L  
 Seal .....9845  
 Kwik Slv (Opt Rpr) .....KWK99176  
 1992-1990 191/3.1L  
 Seal .....9845  
 Kwik Slv (Opt Rpr) .....KWK99176

#### 8 Cylinder

1997-1990 350/5.7L  
 Seal ..... 9845  
 Kwik Slv (Opt Rpr) .....KWK99176  
 1992-1990 305/5.0L  
 Seal .....9845  
 Kwik Slv (Opt Rpr) .....KWK99176

### CRANKSHAFT REAR SEAL

#### 6 Cylinder

2002-1995 3800/3.8L  
 Seal Viton ..... 320691  
 Kwik Slv (Opt Rpr) .....KWK99328  
 1995-1993 201/3.4L  
 Seal ..... 4307V  
 Seal PTFE H/D Opt ..... 5273  
 Kwik Slv (Opt Rpr) .....KWK99298  
 1992-1990 191/3.1L  
 Seal ..... 4307V  
 Seal PTFE H/D Opt ..... 5273  
 Kwik Slv (Opt Rpr) .....KWK99298

#### 8 Cylinder

2002-1998 346/5.7L (GEN III)  
 Seal ..... 100085  
 1997-1990 350/5.7L  
 Seal Viton ..... 4359V  
 Seal PTFE H/D Opt ..... 5274  
 Kwik Slv (Opt Rpr) .....KWK99364  
 1992-1990 305/5.0L  
 Seal Viton ..... 4359V  
 Seal PTFE H/D Opt ..... 5274  
 Kwik Slv (Opt Rpr) .....KWK99364

Mfg./Year	Model & Location	Part No	Mfg./Year	Model & Location	Part No
<b>CHEVROLET - REAR DRIVE - Caprice, Impala</b>					

**FRONT WHEEL**

**1996-1994**  
 Seal (Inner) .....4739[2]  
 Set (Inner) ..... SET6[2]  
 Set (Outer) ..... SET3[2]

**REAR WHEEL**

**1996-1994** (Sedan)  
 Seal .....8660S[2]  
 Cylindrical Bearing .....5707[2]  
 Kit ..... TRP1563TAV[2]<sup>19</sup>  
**1996-1994** (Wagon)  
 Seal .....8835S[2]  
 Cylindrical Bearing .....6408[2]  
 Kit ..... TRP1559TV[2]<sup>19</sup>

**REAR AXLE**

**Differential Rebuild Kit**

**1996-1994** (7.625" R.G.)  
 Kit ..... DRK320

**Differential**

**1996-1994**  
 Cone/Cup ..... LM501349-LM501314[2]

**Pinion**

**1996-1994** (7.5", 7.625" R.G.)  
 Cone/Cup (Inner) .....HM89249-HM89210  
 Seal (Outer) .....8610  
 Cone/Cup (Outer) ..... M86649-M86610  
**1996-1994** (8.5", 8.75", 8.875" R.G.)  
 Cone/Cup (Inner) ..... M802048-M802011  
 Seal (Outer) .....2043  
 Cone/Cup (Outer) ..... M88048-M88010

**4-SPEED AUTOMATIC TRANSMISSION**

**Torque Converter**

**1996-1994**  
 Seal .....3227  
 Kwik Slv (Opt Rpr) .....KWK99174

**4-SPEED AUTOMATIC TRANSMISSION**

**Rear Seal/Ext. Housing**

**1996-1994**  
 Seal .....9613S  
 Kwik Slv (Opt Rpr) .....KWK99149

**Selector Shaft Seal/Man. Shaft**

**1996-1994**  
 Seal .....8792S  
 Kwik Slv (Opt Rpr) .....KWK99050

**CRANKSHAFT FRONT SEAL**

**8 Cylinder**

**1996-1994** 265/4.3L  
 Seal .....9845  
 Kwik Slv (Opt Rpr) .....KWK99176  
**1996-1994** 350/5.7L  
 Seal .....9845  
 Kwik Slv (Opt Rpr) .....KWK99176

**CRANKSHAFT REAR SEAL**

**8 Cylinder**

**1996-1994** 265/4.3L  
 Seal Viton .....4359V  
 Seal PTFE H/D Opt .....5274  
 Kwik Slv (Opt Rpr) .....KWK99364  
**1996-1994** 350/5.7L  
 Seal Viton .....4359V  
 Seal PTFE H/D Opt .....5274  
 Kwik Slv (Opt Rpr) .....KWK99364

**CHEVROLET - REAR DRIVE - Corvette**

**FRONT WHEEL**

**2006-1997**  
 Hub Assembly .....513139[2]  
**1996-1991**  
 Hub Assembly .....513085[2]  
**1990**  
 Hub Assembly .....513019[2]

**REAR WHEEL**

**2006-1997**  
 Hub Assembly .....512153[2]  
**1996-1990**  
 Hub Assembly .....513020[2]

**REAR AXLE**

**Differential Rebuild Kit**

**1999-1990** (Dana 36ICA axle)  
 Kit ..... DRK338  
**1999-1990** (Dana 44ICA axle)  
 Kit ..... DRK339A

**Differential**

**2005-1997**  
 Cone/Cup .....387A-382A[2]  
**1996-1990** (A/T)  
 Seal .....3543[2]  
 Cone/Cup ..... LM501349-LM501314[2]

<sup>19</sup>Opt. Axle Rpr Brg. Replaces O.E. Brg & Seal

# Bearings and Seals

Mfg./Year	Model & Location	Part No	Mfg./Year	Model & Location	Part No
<b>CHEVROLET - REAR DRIVE - Corvette (cont.)</b>					

## REAR AXLE (cont.)

### Differential (cont.)

1996-1990 (M/T)	
Seal Viton .....	473227V[2]
Set .....	SET36[2]
Kwik Slv (Opt Rpr) .....	KWK99150

### Pinion

2002-1997	
Cone/Cup (Inner) .....	NP201062-NP101912
Cone/Cup (Outer) .....	NP568415-NP908986
1996-1990 (A/T)	
Cone/Cup (Inner) .....	HM88649-HM88610
Seal Viton (Outer) .....	5778V
Cone/Cup (Outer) .....	M86647-M86610
Kwik Slv (Opt Rpr) .....	KWK99155
1996-1990 (M/T)	
Cone/Cup (Inner) .....	M802048-M802011
Seal (Outer) .....	9316
Cone/Cup (Outer) .....	M88048-M88010
Kwik Slv (Opt Rpr) .....	KWK99187

## 4-SPEED AUTOMATIC TRANSMISSION

### Torque Converter

2002-1990 (THM700)(4L60 E)	
Seal .....	3227
Kwik Slv (Opt Rpr) .....	KWK99174

### Rear Seal/Ext. Housing

2002-1990 (THM700)(4L60 E)	
Seal .....	9613S
Seal Kit .....	5200 <sup>64</sup>

### Selector Shaft Seal/Man. Shaft

2002-1990 (THM700)(4L60 E)	
Seal .....	8792S

## CLUTCH

### Pilot Bearing

2001-1990	
Ball Bearing .....	57080

## CLUTCH - 8 CYLINDER

### Release Bearing

1996-1994	
Bearing Assembly .....	614166
1993-1990	
Bearing Assembly .....	614117

## 6-SPEED MANUAL TRANSMISSION

### Front Input Shaft Pocket

2003-1997 (Warner T56)	
Set .....	SET16

## 6-SPEED MANUAL TRANSMISSION

### Main Shaft

2003-1997 (Warner T56)	
Seal (Frnt) .....	7412S
Cone/Cup (Frnt) .....	M88048-M88010
Cone/Cup (Rr) .....	25572-25520

### Countershaft

2003-1997 (Warner T56)	
Set (Frnt) .....	SET5
Bearing Assembly (Middle) .....	32008XM

### Rear Output Shaft

2003-1997 (Warner T56)	
Seal .....	9613S
Set .....	SET16
Seal Kit .....	5200 <sup>64</sup>
1996-1990 (ZF)	
Seal .....	9613S
Seal Kit .....	5200 <sup>64</sup>

## A/C COMPRESSOR

2002-1990	
Ball Bearing .....	907257
2001-1990	
Ball Bearing (Frnt Head) .....	S128

## ALTERNATOR

1991-1990	
Ball Bearing (Rear End) .....	100CCAB
1991-1990	
Ball Bearing (Drive End) .....	203FF

## POWER STEERING

### Pitman Shaft

1992-1990 (800 Gear)(4 bolt side cover)	
Seal Kit .....	PSK1 <sup>24</sup>

### Pump Shaft

2001-1990	
Seal .....	22192S
Ball Bearing .....	203FF

### Worm Shaft

1992-1990	
Seal .....	22202S

## CRANKSHAFT FRONT SEAL

### 8 Cylinder

1996-1990 350/5.7L OHV	
Seal .....	9845
Kwik Slv (Opt Rpr) .....	KWK99176
Harmonic Balancer Slv	
Opt .....	88176
1995-1990 350/5.7L (DOHC)	
Seal .....	710173
Kwik Slv (Opt Rpr) .....	KWK99196

Mfg./Year	Model & Location	Part No	Mfg./Year	Model & Location	Part No
-----------	------------------	---------	-----------	------------------	---------

**CHEVROLET - REAR DRIVE - Corvette (cont.)**

**CRANKSHAFT REAR SEAL**

**8 Cylinder**

<b>2004-1997</b>	346/5.7L (GEN III)	
Seal	.....	100085
<b>1996-1990</b>	350/5.7L	
Seal Viton	.....	4359V
Seal PTFE H/D Opt	.....	5274
Kwik Slv (Opt Rpr)	.....	KWK99364

**CHEVROLET IMPORTS - see also GEO 1990 through 1997 - Metro, Prizm, Sprint**

**FRONT WHEEL**

<b>2002-1998</b>	Prizm (ABS)	
Seal (Inner)	.....	1993[2]
Ball Bearing (Inner)	.....	510007[2]
Seal (Outer)	.....	4898[2]
<b>2002-1998</b>	Prizm (w/o ABS)	
Seal (Inner)	.....	1993[2]
Ball Bearing (Inner)	.....	510007[2]
Seal (Outer)	.....	4898[2]
Hub Assembly	.....	518507[2] <sup>62</sup>
Seal	.....	5696[2]
<b>2001-1998</b>	Metro	
Seal (Inner)	.....	710394[2]
Ball Bearing (Inner)	.....	510001[2]
Seal (Outer)	.....	710175[2]

**REAR WHEEL**

<b>2002-1998</b>	Prizm (ABS)	
Hub Assembly	.....	512184[2]
<b>2002-1998</b>	Prizm (w/o ABS)	
Hub Assembly	.....	512018[2]
<b>2001-1998</b>	Metro (ABS)	
Hub Assembly	.....	512204[2]
<b>2001-1998</b>	Metro (w/o ABS)	
Ball Bearing (Inner)	.....	205F[2]
Ball Bearing (Outer)	.....	204F[2]

**CLUTCH**

**Pilot Bearing**

<b>2001-1998</b>	1324cc/1.3L	
Ball Bearing	.....	200CC
<b>2000-1990</b>	3 Cyl.1.0	
Ball Bearing	.....	200CC

**Release Bearing**

<b>2002-1998</b>	Prizm	
Bearing Assembly	.....	614152
<b>2000-1998</b>	Metro	
Bearing Assembly	.....	614082

**3-SPEED AUTOMATIC TRANSAXLE**

**Torque Converter**

<b>2001-1998</b>	(Aisin A210)	
Seal	.....	223830
Kwik Slv (Opt Rpr)	.....	KWK99147

**Output Shaft**

<b>2001-1998</b>	(Aisin A210)	
Seal	.....	223540[2]
Kwik Slv (Opt Rpr)	.....	KWK99139[2]

**Differential**

<b>2001-1998</b>	(Aisin A210)	
Ball Bearing	.....	207[2]

**Selector Shaft Seal/Man. Shaft**

<b>2001-1998</b>	(Aisin A210)	
Seal	.....	710116

**4-SPEED AUTOMATIC TRANSAXLE**

**Differential**

<b>2002-1998</b>	(Aisin)	
Seal	.....	710416[2]

**Torque Converter**

<b>2002-1998</b>	(Aisin)	
Seal	.....	223830
Kwik Slv (Opt Rpr)	.....	KWK99147

**Output Shaft**

<b>2002-1998</b>	(Aisin)	
Seal (LH)	.....	710109
Seal (RH)	.....	710110

**Selector Shaft Seal/Man. Shaft**

<b>2002-1998</b>	(Aisin)	
Seal	.....	221207
Kwik Slv (Opt Rpr)	.....	KWK99049

<sup>62</sup>Kit Incls, Hub & Brg, Seal, Mtg Bolts

# Bearings and Seals

Mfg./Year    Model & Location    Part No    Mfg./Year    Model & Location    Part No

## **CHEVROLET IMPORTS - see also GEO 1990 through 1997 - Metro, Prizm, Sprint (cont.)**

### **5-SPEED MANUAL TRANSAXLE**

#### **Differential**

2001-1998 Suzuki MX1  
 Ball Bearing (LH) ..... 207S  
 Ball Bearing (RH) ..... 107WB

#### **Input Shaft**

2002-1998 (Aisin)  
 Seal ..... 320603  
 Ball Bearing ..... 101SS  
 Kwik Slv (Opt Rpr) .....KWK99098  
 2001-1998 Suzuki MX1  
 Bearing Assembly (LH) ..... 32204  
 Seal (RH) .....222030  
 Ball Bearing (RH) ..... 32004WB  
 Kwik Slv (Opt Rpr) .....KWK99098

#### **Output Shaft**

2002-1998 (Aisin)  
 Seal (LH) ..... 710109  
 Seal (RH) .....710110  
 2001-1998 Suzuki MX1  
 Seal (LH) ..... 223552  
 Kwik Slv (Opt Rpr) (LH) .....KWK99139  
 Seal (RH) .....223535  
 Kwik Slv (Opt Rpr) (RH) .....KWK99139

#### **Selector Shaft Seal/Man. Shaft**

2002-1990 (Aisin)  
 Seal ..... 1015N  
 Kwik Slv (Opt Rpr) .....KWK99082

### **POWER STEERING**

#### **Pitman Shaft**

2002-1998 Prizm  
 Seal .....221510

#### **Pump Shaft**

2002-1998 Prizm  
 Seal .....710412

#### **Worm Shaft**

2002-1998 Prizm  
 Seal .....222630

### **CAMSHAFT SEAL**

#### **3 Cylinder**

2000-1998 993cc/1.0L  
 Seal .....710310  
 Kwik Slv (Opt Rpr) .....KWK99128

#### **4 Cylinder**

2001-1998 1324cc/1.3L  
 Seal .....710310  
 Kwik Slv (Opt Rpr) .....KWK99128

### **CRANKSHAFT FRONT SEAL**

#### **3 Cylinder**

2000-1998 993cc/1.0L  
 Seal .....710310  
 Kwik Slv (Opt Rpr) .....KWK99128

#### **4 Cylinder**

2001-1998 1324cc/1.3L  
 Seal .....710310  
 Kwik Slv (Opt Rpr) .....KWK99128

### **CRANKSHAFT REAR SEAL**

#### **3 Cylinder**

2000-1998 993cc/1.0L  
 Seal .....710334

#### **4 Cylinder**

2001-1998 1324cc/1.3L  
 Seal .....710334

## **CHEVROLET IMPORT TRUCK - SUV - Tracker**

### **FRONT WHEEL**

2004-2001  
 Hub Assembly .....513193[2]  
 2000-1998  
 Seal (Inner) ..... 710240[2]  
 Bearing Assembly (Inne ..... 517009[2]  
 Seal (Outer) ..... 710239[2]

### **FRONT WHEEL**

#### **4WD/AWD**

2004-2001  
 Hub Assembly .....513193[2]  
 2000-1998  
 Seal (Inner) .....710240[2]  
 Bearing Assembly (Inne ..... 517009[2]  
 Seal (Outer) ..... 710239[2]

<b>REAR WHEEL</b>	
2004-1999	
Ball Bearing .....	511024[2]

<b>4WD FRONT AXLE</b>	
<b>Differential</b>	
2004-1998	
Cone/Cup .....	17887-17831[2]

<b>Pinion</b>	
2004-1998	
Bearing Assembly (Inne .....	30307M
Seal Viton (Outer) .....	350572
Bearing Assembly (Outer) .....	30306M
Kwik Slv (Opt Rpr) .....	KWK99147

<b>REAR AXLE</b>	
<b>Differential</b>	
2004-1998	
Cone/Cup .....	17887-17831[2]

<b>Pinion</b>	
2004-1998	
Bearing Assembly (Inne .....	30307M
Seal Viton (Outer) .....	350572
Bearing Assembly (Outer) .....	30306M
Kwik Slv (Opt Rpr) .....	KWK99147

<b>TRANSFER CASE</b>	
<b>Input Shaft</b>	
2002-1998	
Seal .....	223540
Ball Bearing .....	207
Kwik Slv (Opt Rpr) .....	KWK99139

<b>Front Output Shaft</b>	
2002-1998	
Ball Bearing (Inner) .....	306L
Seal (Outer) .....	1213N
Ball Bearing (Outer) .....	RW122
Kwik Slv (Opt Rpr) .....	KWK99157

<b>Rear Output Shaft</b>	
2002-1998	
Seal .....	1213N
Ball Bearing .....	RW122[2]
Kwik Slv (Opt Rpr) .....	KWK99157

<b>3-SPEED AUTOMATIC TRANSMISSION</b>	
<b>Torque Converter</b>	
1999-1998	
Seal .....	6712NA
Kwik Slv (Opt Rpr) .....	KWK99187

<b>3-SPEED AUTOMATIC TRANSMISSION</b>	
<b>Rear Seal/Ext. Housing</b>	
1999-1998	
Seal .....	9613S
Seal Kit .....	5200 <sup>64</sup>

<b>Selector Shaft Seal/Man. Shaft</b>	
2000-1998	
Seal .....	8792S

<b>CLUTCH</b>	
<b>Release Bearing</b>	
2000-1998	

<b>5-SPEED MANUAL TRANSMISSION</b>	
<b>Front Input Shaft</b>	
2002-1998	
Seal .....	222535
Kwik Slv (Opt Rpr) .....	KWK99098

<b>Rear Output Shaft</b>	
2002-1998	
Seal .....	455134
Kwik Slv (Opt Rpr) .....	KWK99098

<b>ALTERNATOR</b>	
2001-1998 (Nippondenso)	
Ball Bearing (Drive End) .....	303CC

<b>POWER STEERING</b>	
<b>Pump Shaft</b>	
2001-1998	
Seal .....	221730

<b>CAMSHAFT SEAL</b>	
<b>4 Cylinder</b>	
2001-1998 1.6L	
Seal .....	710310
Kwik Slv (Opt Rpr) .....	KWK99128

<b>CRANKSHAFT FRONT SEAL</b>	
<b>4 Cylinder</b>	
2003-1999 2.0L (DOHC)	
Seal .....	710521
Kwik Slv (Opt Rpr) .....	KWK99128
2001-1998 1.6L	
Seal .....	710310
Kwik Slv (Opt Rpr) .....	KWK99128

<b>6 Cylinder</b>	
2004-2001 2492cc/2.5L (DOHC)	
Seal .....	710521

<sup>64</sup>Opt. Seal & Bushing Kit

# Bearings and Seals

Mfg./Year    Model & Location    Part No    Mfg./Year    Model & Location    Part No

## CHEVROLET IMPORT TRUCK - SUV - Tracker (cont.)

### CRANKSHAFT REAR SEAL

#### 4 Cylinder

2003-1999 2.0L (DOHC)  
Seal ..... 710520  
2001-1998 1.6L  
Seal ..... 710334

### CRANKSHAFT REAR SEAL

#### 6 Cylinder

2004-2001 2492cc/2.5L (DOHC)  
Seal ..... 710520

## CHEVROLET/GMC TRUCK - Light Truck - Astro / Safari

### FRONT WHEEL

#### 2WD

2005  
Hub Assembly (RH) ..... SP550309<sup>25</sup>  
Hub Assembly (LH) ..... SP550310<sup>76</sup>  
2004-2003  
Hub Assembly ..... HA590307[2]  
2002-1991  
Seal (Inner) ..... 4739[2]  
Set (Inner) ..... SET6[2]  
Set (Outer) ..... SET3[2]  
1990  
Seal (Inner) ..... 8871[2]  
Set (Inner) ..... SET6[2]  
Set (Outer) ..... SET3[2]

#### 4WD/AWD

2005-2003  
Hub Assembly (RH) ..... SP550309<sup>25</sup>  
Hub Assembly (LH) ..... SP550310<sup>76</sup>  
2002-1995 (ABS)  
Hub Assembly (RH) ..... SP550302<sup>86</sup>  
Hub Assembly (LH) ..... SP550303<sup>86</sup>  
1994-1990  
Hub Assembly ..... 515005[2]

### REAR WHEEL

2005-2003  
Seal ..... 4762N[2]  
Cylindrical Bearing ..... 513067[2]  
Kit ..... TRP59047[2]<sup>19</sup>  
2002-1990  
Seal Viton ..... 4795V[2]  
Cylindrical Bearing ..... 513023[2]  
Kit ..... TRP57509[2]<sup>19</sup>

### 4WD FRONT AXLE

#### Axle Shaft

2002-1997  
Needle Bearing ..... HK4012  
1996-1990  
Seal ..... 223255[2]  
Needle Bearing ..... B2010

### 4WD FRONT AXLE

#### Differential Rebuild Kit

2005-1990  
Kit ..... DRK320A

#### Differential

2005-1990  
Set ..... SET11[2]

#### Pinion

2005-1990  
Cone/Cup (Inner) ..... M88048S-M88010  
Cone/Cup (Inner) Opt  
Substitute For M88048 ..... M88047-M88010  
Seal (Outer) ..... 8611N  
Cone/Cup (Outer) ..... M86649-M86610

### REAR AXLE

#### Differential Rebuild Kit

2005-1999 (7.5", 7.625" R.G.)  
Kit ..... DRK320C<sup>25</sup>  
1998-1990 (7.5", 7.625" R.G.)  
Kit ..... DRK320

#### Differential

2005-1990 (7.5", 7.625" R.G.)  
Cone/Cup ..... LM501349-LM501314[2]  
2003-2002 (8.5" R.G.)  
Set ..... SET36[2]  
2002-1997 (8.5" R.G.)  
Cone/Cup ..... LM501349-LM501314[2]

#### Pinion

2005-2003 (7.625" R.G.)  
Cone/Cup (Inner) ..... HM89249-HM89210  
Seal (Outer) ..... 40006689<sup>16</sup>  
Cone/Cup (Outer) ..... M86649-M86610  
2004-1997 (8.5" R.G.)  
Cone/Cup (Inner) ..... NP457992-NP926068  
Seal (Outer) ..... 710506  
Cone/Cup (Outer) ..... M88048S-M88010  
Kwik Slv (Opt Rpr) ..... KWK99193

## REAR AXLE (cont.)

### Pinion (cont.)

<b>2002-2000</b>	(7.625" R.G.)(1 st design)(1.5" Seal I.D.)	
	Cone/Cup (Inner) .....	HM89249-HM89210
	Seal (Outer) .....	8610
	Cone/Cup (Outer) .....	M86649-M86610
<b>2002-2000</b>	(7.625" R.G.)(2 nd design)(1.687" Seal I.D.)	
	Cone/Cup (Inner) .....	HM89249-HM89210
	Seal (Outer) .....	40006689 <sup>16</sup>
	Cone/Cup (Outer) .....	M86649-M86610
<b>1999-1990</b>	(7.5" R.G.)	
	Cone/Cup (Inner) .....	HM89249-HM89210
	Seal (Outer) .....	8610
	Cone/Cup (Outer) .....	M86649-M86610

## TRANSFER CASE REBUILD KIT

<b>2002-1999</b>	Kit .....	TCRK233 <sup>16</sup>
<b>1998-1990</b>	Kit .....	TCRK1372

## TRANSFER CASE

### Input Shaft

<b>2002-1999</b>	(New Process 246)	
	Needle Bearing .....	FC66561
<b>1998-1990</b>		
	Seal .....	710062
	Ball Bearing .....	109TB
	Kwik Slv (Opt Rpr) .....	KWK99175
	Needle Bearing Pilot .....	SCH1310

### Front Output Shaft

<b>1998-1990</b>		
	Seal .....	714503
	Ball Bearing .....	207
	Needle Bearing Pilot .....	JH1612

### Rear Output Shaft

<b>2002-1999</b>	(New Process 246)	
	Needle Bearing .....	B5020
<b>1998-1990</b>	(Warner 4472)(booted)	
	Seal .....	4503N
	Ball Bearing .....	208SL
<b>1998-1990</b>	(Warner 4472)(w/o boot)	
	Seal .....	714503
	Ball Bearing .....	208SL

## 4-SPEED AUTOMATIC TRANSMISSION

### Torque Converter

<b>2002-1993</b>	(4L60E)	
	Seal .....	4950
	Kwik Slv (Opt Rpr) .....	KWK99174
<b>1992-1990</b>		
	Seal .....	3227
	Kwik Slv (Opt Rpr) .....	KWK99174

## 4-SPEED AUTOMATIC TRANSMISSION

### Rear Seal/Ext. Housing

<b>2002-1990</b>	(booted)	
	Seal .....	9613S
	Seal Kit .....	5200 <sup>64</sup>
<b>2001-2000</b>	(w/o boot)	
	Seal .....	4583

### Selector Shaft Seal/Man. Shaft

<b>2002-1990</b>		
	Seal .....	8792S
	Kwik Slv (Opt Rpr) .....	KWK99050

## A/C COMPRESSOR

<b>2002-1990</b>		
	Ball Bearing .....	907257
<b>2002-1990</b>		
	Ball Bearing (Frt Head) .....	S128

## POWER STEERING

### Pitman Shaft

<b>2001-1990</b>		
	Seal Kit .....	PSK1 <sup>24</sup>

### Pump Shaft

<b>2001-1994</b>		
	Seal .....	7013S
<b>1993-1990</b>	(integral reservoir)	
	Seal .....	221925
	Ball Bearing .....	203FF
<b>1993-1990</b>	(remote reservoir)	
	Seal .....	7013S

### Worm Shaft

<b>2001-1990</b>		
	Seal .....	222025

## CRANKSHAFT FRONT SEAL

### 4 Cylinder

<b>1990</b>	151/2.5L	
	Seal .....	9845
	Kwik Slv (Opt Rpr) .....	KWK99176
	Harmonic Balancer Slv	
	Opt .....	88176

### 6 Cylinder

<b>2005-1990</b>	262/4.3L	
	Seal .....	9845
	Kwik Slv (Opt Rpr) .....	KWK99176
	Harmonic Balancer Slv	
	Opt .....	88176

## CRANKSHAFT REAR SEAL

### 4 Cylinder

<b>1990</b>	151/2.5L	
	Seal .....	3698
	Kwik Slv (Opt Rpr) .....	KWK99300

<sup>16</sup>Part Obsolete, Check For Availability, While Supplies Last Sold Separately

<sup>64</sup>Opt. Seal & Bushing Kit

<sup>24</sup>Opt. Kit Incls. Seals 5683 & 5684. Not



# Bearings and Seals

Mfg./Year    Model & Location    Part No    Mfg./Year    Model & Location    Part No

## **CHEVROLET/GMC TRUCK - Light Truck - Astro / Safari (cont.)**

### **CRANKSHAFT REAR SEAL**

#### **6 Cylinder**

2005-1990 262/4.3L  
 Seal Viton ..... 4359V  
 Seal PTFE H/D Opt ..... 5274  
 Kwik Slv (Opt Rpr) .....KWK99364

## **CHEVROLET/GMC TRUCK - Light Truck - Colorado/Canyon**

### **FRONT WHEEL**

#### **2WD**

2006-2004 (Z71 Pkg.)  
 Hub Assembly (RH) ..... HA590053 <sup>76</sup>  
 Hub Assembly (LH) ..... HA590061 <sup>76</sup>  
 2006-2004 (Z85 Pkg.)  
 Hub Assembly (RH) ..... HA590062 <sup>76</sup>  
 Hub Assembly (LH) ..... HA590058 <sup>76</sup>  
 2006-2004 (ZQ8 Pkg.)  
 Hub Assembly (RH) ..... HA590059 <sup>76</sup>  
 Hub Assembly (LH) ..... HA590054 <sup>76</sup>

#### **4WD/AWD**

2006-2004  
 Hub Assembly (RH) ..... HA590023 <sup>76</sup>  
 Hub Assembly (LH) ..... HA590060 <sup>25</sup>

### **REAR WHEEL**

2006-2004  
 Seal ..... 4762N[2]  
 Cylindrical Bearing ..... 513067[2]  
 Kit ..... TRP59047[2] <sup>19</sup>

### **4WD FRONT AXLE**

#### **Differential**

2005-2004  
 Cone/Cup ..... LM501349-LM501314[2]

### **4WD FRONT AXLE**

#### **Pinion**

2005-2004  
 Cone/Cup (Inner) ..... HM89249-HM89210  
 Cone/Cup ..... M86649-M86610

### **REAR AXLE**

#### **Differential**

2005-2004  
 Cone/Cup ..... LM501349-LM501314[2]

#### **Pinion**

2005-2004  
 Cone/Cup (Inner) ..... HM89249-HM89210  
 Seal (Outer) ..... 40006689 <sup>16</sup>  
 Cone/Cup (Outer) ..... M86649-M86610

## **CHEVROLET/GMC TRUCK - Light Truck - Trailblazer/Envoy**

### **FRONT WHEEL**

#### **2WD**

2005-2002  
 Hub Assembly ..... 513188[2]

#### **4WD/AWD**

2005-2002  
 Hub Assembly ..... 513188[2]  
 2000-1998  
 Hub Assembly ..... 513124[2]

### **REAR WHEEL**

2005-2002  
 Seal ..... 4762N[2]  
 Cylindrical Bearing ..... 513067[2]  
 Kit ..... TRP59047[2] <sup>19</sup>

### **4WD FRONT AXLE**

#### **Differential Rebuild Kit**

2005-2002  
 Kit ..... DRK320A

Mfg./Year    Model & Location    Part No    Mfg./Year    Model & Location    Part No  
**CHEVROLET/GMC TRUCK - Light Truck - Trailblazer/Envoy (cont.)**

**4WD FRONT AXLE**

**Differential**  
 2005-2002  
 Set ..... SET11[2]

**Pinion**  
 2005-2002  
 Cone/Cup (Inner) ..... M88048S-M88010  
 Seal (Outer) ..... 8611N  
 Cone/Cup (Outer) ..... M86649-M86610

**REAR AXLE**

**Differential Rebuild Kit**  
 2005-2002 (7.5", 7.625" R.G.)  
 Kit ..... DRK320C <sup>25</sup>

**Differential**  
 2005-2002 (7.5", 7.625" R.G.)  
 Cone/Cup ..... LM501349-LM501314[2]  
 2005-2002 (8.5", 8.625" R.G.)  
 Set ..... SET36[2]

**Pinion**  
 2005-2002 (7.5", 7.625" R.G.)  
 Seal (Outer) ..... 8610  
 Cone/Cup (Inner) ..... HM89249-HM89210  
 Cone/Cup (Outer) ..... M86649-M86610

**REAR AXLE (cont.)**

**Pinion (cont.)**  
 2005-2002 (8.5", 8.625" R.G.)(113" WB)  
 Seal (Outer) ..... 710506  
 Cone/Cup (Inner) ..... NP457992-NP926068  
 Cone/Cup (Outer) ..... M86649-M86610  
 2005-2002 (8.5", 8.625" R.G.)(129" WB)  
 Seal (Outer) ..... 710506  
 Cone/Cup (Inner) ..... NP544520-NP099285  
 Cone/Cup (Outer) ..... M88048-M88010

**CRANKSHAFT FRONT SEAL**

**6 Cylinder**  
 2000-1998 262/4.3L  
 Seal ..... 9845

**CRANKSHAFT REAR SEAL**

**8 Cylinder**  
 2004-2003 325/ 5.3L  
 Seal ..... 100085

**CHEVROLET/GMC TRUCK - Light Truck - Equinox**

**FRONT WHEEL**

2006-2005 (ABS)  
 Hub Assembly ..... 513189[2]  
 2006-2005 (w/o ABS)  
 Hub Assembly ..... 513190[2]

**REAR WHEEL**

2006-2005 (ABS)  
 Hub Assembly ..... 512229[2]  
 2006-2005 (w/o ABS)  
 Hub Assembly ..... 512230[2]

**REAR WHEEL**

**4WD/AWD**  
 2006-2005  
 Hub Assembly ..... 512229[2]

**CHEVROLET/GMC TRUCK - Light Truck - HHR**

**FRONT WHEEL**

2006 (ABS)  
 Hub Assembly ..... HA590086[2]  
 2006 (w/o ABS)

**REAR WHEEL**

2006 (ABS)  
 Hub Assembly ..... HA590088[2]

<sup>25</sup>New Item, Check For Availability

# Bearings and Seals

Mfg./Year	Model & Location	Part No	Mfg./Year	Model & Location	Part No
<b>CHEVROLET/GMC TRUCK - Light Truck - Lumina APV, Venture</b>					

## FRONT WHEEL

<b>2005-2003</b>	Venture (w/o ABS)	
Hub Assembly	.....	513160[2]
<b>2005-2001</b>	Venture (ABS)(w/o AWD)	
Hub Assembly	.....	513179[2] <sup>73</sup>
<b>2004-2002</b>	Venture (AWD)	
Hub Assembly	.....	513187[2]
<b>2001-1997</b>	Venture (ABS)	
Hub Assembly	.....	513121[2] <sup>72</sup>
<b>1996-1992</b>	APV Van	
Hub Assembly	.....	513087[2] <sup>45</sup>
<b>1991-1990</b>	APV Van	
Hub Assembly	.....	513016K[2] <sup>61</sup>
Seal Kit	.....	5698[2] <sup>12</sup>

## REAR WHEEL

<b>2005-1997</b>	Venture (Disc Brks.)(w/o AWD)	
Hub Assembly	.....	512150[2] <sup>5</sup>
<b>2005-1997</b>	Venture (Drum Brks.)(w/o AWD)	
Hub Assembly	.....	512078[2] <sup>6</sup>
<b>2004-2002</b>	(AWD)	
Hub Assembly	.....	513121[2] <sup>72</sup>
<b>1996-1992</b>	Lumina	
Hub Assembly	.....	512078[2]
<b>1991-1990</b>		
Hub Assembly	.....	513018[2]

## 3-SPEED AUTOMATIC TRANSAXLE

### Torque Converter

<b>1996-1990</b>	
Seal	..... 4072N
Kwik Slv (Opt Rpr)	.....KWK99172

### Output Shaft

<b>1996-1990</b>	
Seal	.....3543[2]
Kwik Slv (Opt Rpr)	.....KWK99139[2]
Seal Kit	.....5690[2] <sup>18</sup>

### Selector Shaft Seal/Man. Shaft

<b>1996-1990</b>	
Seal	.....8792S

## 4-SPEED AUTOMATIC TRANSAXLE

### Torque Converter

<b>2002-1992</b>	
Seal	..... 4072N

### Output Shaft

<b>2002-1999</b>	
Seal (LH)	..... 100165
Kwik Slv (Opt Rpr) (LH)	.....KWK99139
Seal (RH)	..... 3543
Kwik Slv (Opt Rpr) (RH)	.....KWK99138
<b>1998-1992</b>	
Seal (LH)	..... 710096
Kwik Slv (Opt Rpr) (LH)	.....KWK99139
Seal (RH)	..... 3543
Kwik Slv (Opt Rpr) (RH)	.....KWK99138

## Selector Shaft Seal/Man. Shaft

<b>2002-1990</b>	
Seal	.....8792S

## A/C COMPRESSOR

<b>2002-1990</b>	
Ball Bearing	..... 907257
Ball Bearing (Frt Head)	..... S128

## ALTERNATOR

<b>1999-1992</b>	(Delco 140 Amp.)
Ball Bearing (Rear End)	.....100CCAB

## POWER STEERING

### Pump Shaft

<b>2002-1996</b>	
Seal	.....7013S
<b>1995-1990</b>	(integral reservoir)
Ball Bearing	.....203FF
<b>1995-1990</b>	(remote reservoir)
Seal	.....7013S

## CRANKSHAFT FRONT SEAL

### 6 Cylinder

<b>2004-1996</b>	201/3.4L
Seal	.....9845
Kwik Slv (Opt Rpr)	.....KWK99176
Harmonic Balancer Slv	
Opt	.....88176
<b>1995-1992</b>	231/3.8L
Seal Viton	.....710162
Kwik Slv (Opt Rpr)	.....KWK99193
<b>1995-1990</b>	191/3.1L
Seal	.....9845
Kwik Slv (Opt Rpr)	.....KWK99176
Harmonic Balancer Slv	
Opt	.....88176

## CRANKSHAFT REAR SEAL

### 6 Cylinder

<b>2004-1996</b>	201/3.4L
Seal	.....4307V
Seal PTFE H/D Opt	.....5273
Kwik Slv (Opt Rpr)	.....KWK99298
<b>1995-1992</b>	231/3.8L
Seal Viton	.....320691
Kwik Slv (Opt Rpr)	.....KWK99328
<b>1995-1990</b>	189/3.1L
Seal	.....4307V
Seal PTFE H/D Opt	.....5273
Kwik Slv (Opt Rpr)	.....KWK99298

60

<sup>12</sup>Opt. Kit Incls Seal & O Ring. Kit Incl w/ Hub Assy <sup>18</sup>Opt. Incls. Brg, Slv, Hardware, Hsg <sup>45</sup>Brg  
 Flg Has Non-Threaded Mtg Holes <sup>5</sup>Export Vehicles Only <sup>6</sup>Domestic Vehicles Only <sup>61</sup>Kit Incl,  
 Seal, Hub Nut, & Brg Unit <sup>72</sup>Stainless Steel Sensor Wire Clip <sup>73</sup>Plastic Sensor Wire Clip

Mfg./Year	Model & Location	Part No	Mfg./Year	Model & Location	Part No
<hr/>					
<b>CHEVROLET/GMC TRUCK - Light Truck - S10 Blazer/S15 Jimmy, S10/S15</b>					
<b>PU/Sonoma, Syclone/Typhoon</b>					

**FRONT WHEEL**

**2WD**

<b>2004-1998</b>	Blazer/Jimmy	
Hub Assembly	.....	SP450300[2] <sup>40</sup>
Sensor Kit	.....	SK450300[2] <sup>39</sup>
<b>2003-1998</b>	S10/Sonoma	
Seal (Inner)	.....	4739[2]
Set (Inner)	.....	SET6[2]
Set (Outer)	.....	SET34[2]
<b>1997-1991</b>		
Seal (Inner)	.....	4739[2]
Set (Inner)	.....	SET6[2]
Set (Outer)	.....	SET34[2]
<b>1990</b>		
Seal (Inner)	.....	8871[2]
Set (Inner)	.....	SET6[2]
Set (Outer)	.....	SET34[2]

**4WD/AWD**

<b>2004-1998</b>		
Hub Assembly	.....	513124[2]
<b>1997</b>	(AWD)	
Hub Assembly	.....	513124[2]
<b>1997-1994</b>	(w/o AWD)	
Hub Assembly	.....	513061[2]
<b>1993-1992</b>	Blazer/Jimmy	
Hub Assembly	.....	513061[2]
<b>1993-1991</b>	Pickup	
Hub Assembly	.....	513013[2]
<b>1992-1991</b>	Syclone, Typhoon	
Hub Assembly	.....	513061[2]
<b>1991</b>	Blazer/Jimmy 2Dr.	
Hub Assembly	.....	513013[2]
<b>1991</b>	Blazer/Jimmy 4 Dr.	
Hub Assembly	.....	513061[2]
<b>1990</b>		
Hub Assembly	.....	513013[2]

**REAR WHEEL**

<b>2004-2003</b>	(7.625" R.G.)	
Seal	.....	710166[2]
Cylindrical Bearing	.....	5707[2]
Kit	.....	TRP1563TAV[2] <sup>19</sup>
<b>2004-1994</b>	(8.5" R.G.)(w/o Locking Diff.)	
Seal	.....	8835S[2]
Cylindrical Bearing	.....	6408[2]
Kit	.....	TRP1563TAV[2] <sup>19</sup>
<b>2002-1995</b>	(8.5" R.G.)(Locking Diff)	
Seal	.....	4762N[2]
Cylindrical Bearing	.....	513067[2]
Kit	.....	TRP59047[2] <sup>19</sup>
<b>2002-1994</b>	(7.625", 8.50" R.G.)(Axle code C)	
Seal	.....	8835S[2]
Cylindrical Bearing	.....	6408[2]
Kit	.....	TRP1559TV[2] <sup>19</sup>
<b>2002-1994</b>	(7.625", 8.50" R.G.)(Axle code K)	
Seal	.....	8660S[2]
Cylindrical Bearing	.....	5707[2]
Kit	.....	TRP1563TAV[2] <sup>19</sup>

**REAR WHEEL (cont.)**

<b>1995</b>	(Axle # 26053697)	
Seal	.....	8835S[2]
Needle Bearing	.....	B2010[2]
Kit	.....	TRP1563TAV[2] <sup>19</sup>
<b>1993-1992</b>	(7.5" R.G.)(Axle code C)(7.625" R.G.)	
Seal	.....	710166[2]
Cylindrical Bearing	.....	5707[2]
Kit	.....	TRP1563TAV[2] <sup>19</sup>
<b>1993-1992</b>	(7.5" R.G.)(Axle code K)	
Seal	.....	8660S[2]
Cylindrical Bearing	.....	5707[2]
Kit	.....	TRP1563TAV[2] <sup>19</sup>
<b>1991</b>	(4 Dr.)(7.625 R.G.)	
Seal	.....	710166[2]
Cylindrical Bearing	.....	5707[2]
Kit	.....	TRP1563TAV[2] <sup>19</sup>
<b>1991</b>	(7.50", 7.625" R.G.)(Exc. 4 Dr.)	
Seal	.....	8660S[2]
Cylindrical Bearing	.....	5707[2]
Kit	.....	TRP1563TAV[2] <sup>19</sup>
<b>1990</b>		
Seal	.....	8660S[2]
Cylindrical Bearing	.....	5707[2]
Kit	.....	TRP1563TAV[2] <sup>19</sup>

**4WD FRONT AXLE**

**Differential Rebuild Kit**

<b>2002-1990</b>	(7.25" R.G.)	
Kit	.....	DRK320A

**Differential**

<b>2004-1990</b>	(7.25" R.G.)	
Set	.....	SET11[2]

**Pinion**

<b>2004-1990</b>	(7.25" R.G.)	
Cone/Cup (Inner)	.....	M88048S-M88010
Seal (Outer)	.....	8611N
Cone/Cup (Outer)	.....	M86649-M86610

**REAR AXLE**

**Differential Rebuild Kit**

<b>2005-1999</b>	(7.5", 7.625" R.G.)	
Kit	.....	DRK320C <sup>25</sup>
<b>1998-1990</b>	(7.5", 7.625" R.G.)	
Kit	.....	DRK320

**Differential**

<b>2005-2004</b>	(7.5", 7.625" R.G.)	
Cone/Cup	.....	LM501349-LM501314[2]
<b>2004</b>	(8.5", 8.625" R.G.)	
Set	.....	SET36[2]
<b>2003-2000</b>	(7.625" R.G.)	
Cone/Cup	.....	LM501349-LM501314[2]
<b>2003-2000</b>	(8.5" R.G.)(2nd design)	
Set	.....	SET36[2]

<sup>19</sup>Opt. Axle Rpr Brg. Replaces O.E. Brg & Seal Incls, Sensor Cable, Screw, Grease. 6 Lug Assy

<sup>25</sup>New Item, Check For Availability  
<sup>40</sup>5 Lug. Incls Sensor Cable

<sup>39</sup>Opt. Kit

# Bearings and Seals

Mfg./Year    Model & Location    Part No    Mfg./Year    Model & Location    Part No

## **CHEVROLET/GMC TRUCK - Light Truck - S10 Blazer/S15 Jimmy, S10/S15 PU/Sonoma, Cyclone/Typhoon (cont.)**

### **REAR AXLE (cont.)**

#### **Differential (cont.)**

<b>2002-2000</b> (8.625" R.G.)	
Set .....	SET36[2]
<b>2000</b> (8.5" R.G.)(1st design)	
Cone/Cup .....	LM501349-LM501314[2]
<b>1999-1990</b>	
Cone/Cup .....	LM501349-LM501314[2]

#### **Pinion**

<b>2005-1999</b> (7.5", 7.625" R.G.)	
Cone/Cup (Inner) .....	HM89249-HM89210
Seal (Outer) .....	40006689 <sup>16</sup>
Cone/Cup (Outer) .....	M86649-M86610
Kwik Slv (Opt Rpr) .....	KWK99152
<b>2004</b> (8.5", 8.625" R.G.)	
Cone/Cup (Inner) .....	NP544520-NP099285
Seal (Outer) .....	710506
Cone/Cup (Outer) .....	M88048-M88010
<b>2003-1997</b> (8.5" R.G.)(2nd design)	
Cone/Cup (Inner) .....	NP457992-NP926068
Seal (Outer) .....	710506
Cone/Cup (Outer) .....	M88048-M88010
Kwik Slv (Opt Rpr) .....	KWK99212
<b>1998-1990</b> (7.5", 7.625" R.G.)	
Cone/Cup (Inner) .....	HM89249-HM89210
Seal (Outer) .....	8610
Cone/Cup (Outer) .....	M86649-M86610
Kwik Slv (Opt Rpr) .....	KWK99152
<b>1997-1990</b> (8.5" R.G.)(1st design)	
Cone/Cup (Inner) .....	M802048-M802011
Seal (Outer) .....	2043
Cone/Cup (Outer) .....	M88048-M88010
Kwik Slv (Opt Rpr) .....	KWK99193

### **TRANSFER CASE REBUILD KIT**

<b>2002-1998</b> (New Process 236)(Opt. code NP8)(Elec. shift)	
Kit .....	TCRK236
<b>2002-1992</b> (New Process 233C)(Opt. code NP1)(Elec. shift)	
Kit .....	TCRK233 <sup>16</sup>
<b>1997-1990</b> (New Process 231C)(floor shift)	
Kit .....	TCRK231A <sup>16</sup>

### **TRANSFER CASE**

#### **Input Shaft**

<b>2002-1998</b> (New Process 236)(Opt. code NP8)(Elec. shift)	
Ball Bearing .....	110CB
Needle Bearing Pilot .....	FC66561
<b>2002-1994</b> (New Process 231, 233)	
Seal .....	3173[2]
Ball Bearing .....	110L[2]
Seal Dual Lip .....	710298
Kwik Slv (Opt Rpr) .....	KWK99193
Needle Bearing Pilot .....	FC66561

### **TRANSFER CASE (cont.)**

#### **Input Shaft (cont.)**

<b>1993-1991</b> (New Process 231, 233)	
Seal .....	3173[2]
Ball Bearing .....	N5210KLB[2]
Seal Dual Lip .....	710298
Kwik Slv (Opt Rpr) .....	KWK99193
Needle Bearing Pilot .....	FC66561
<b>1990</b> (New Process 231C)(floor shift)	
Seal .....	3173[2]
Ball Bearing .....	N5210KLB[2]
Seal Dual Lip .....	710298
Kwik Slv (Opt Rpr) .....	KWK99193
Needle Bearing Pilot .....	SCH1810

#### **Front Output Shaft**

<b>2002-1998</b> (New Process 236)(Opt. code NP8)(Elec. shift)	
Ball Bearing .....	207
Needle Bearing Pilot .....	J2416
<b>2002-1990</b> (New Process 231, 233)	
Seal Viton .....	4813V
Ball Bearing .....	206WB
Kwik Slv (Opt Rpr) .....	KWK99155
Needle Bearing Pilot .....	J2416
<b>1994-1990</b> (New Process 231, 233)	
Seal .....	710046
Ball Bearing .....	206WB
Kwik Slv (Opt Rpr) .....	KWK99155
Needle Bearing Pilot .....	J2416

#### **Rear Output Shaft**

<b>2002-1994</b> (New Process 231, 233)	
Seal .....	9613S
Ball Bearing .....	206WB
Seal Kit Opt .....	5200 <sup>64</sup>
Needle Bearing Pilot .....	B5020[2]
<b>1993-1991</b> (New Process 231, 233)(ext cab)	
Seal .....	9449
Ball Bearing .....	207
Seal Kit Opt .....	5208 <sup>64</sup>
Needle Bearing Pilot .....	B5020
<b>1993-1990</b> (New Process 231)(Std. cab)	
Seal .....	9613S
Ball Bearing .....	206WB
Seal Kit Opt .....	5200 <sup>64</sup>
Needle Bearing Pilot .....	B5020[2]

### **4-SPEED AUTOMATIC TRANSMISSION**

#### **Torque Converter**

<b>2002-1990</b>	
Seal .....	3227
Kwik Slv (Opt Rpr) .....	KWK99174

Mfg./Year	Model & Location	Part No	Mfg./Year	Model & Location	Part No
<hr/>					
<b>CHEVROLET/GMC TRUCK - Light Truck - S10 Blazer/S15 Jimmy, S10/S15 PU/Sonoma, Syclone/Typhoon (cont.)</b>					
<hr/>					

**4-SPEED AUTOMATIC TRANSMISSION**

**Rear Seal/Ext. Housing**

2002-1990	
Seal .....	9613S
Kwik Slv (Opt Rpr) .....	KWK99149
Seal Kit .....	5200 <sup>64</sup>

**Selector Shaft Seal/Man. Shaft**

2002-1990	
Seal .....	8792S
Kwik Slv (Opt Rpr) .....	KWK99050

**CLUTCH**

**Pilot Bearing**

2002-1994	133/2.2L (Gas)	
Bushing H/D .....		PB652HD
2002-1990	262/4.3L	
Ball Bearing .....		57080
1993-1990	151/2.5L	
Bushing H/D .....		PB656HD
1993-1990	173/2.8L	
Bushing H/D .....		PB652HD

**CLUTCH - 4 CYLINDER**

**Release Bearing**

2000-1996	133/2.2L (Gas)	
Bearing Assembly .....		614174
1995-1994	133/2.2L (Gas)	
Bearing Assembly .....		614083
1993-1990	151/2.5L	
Bearing Assembly .....		614083

**CLUTCH - 6 CYLINDER**

**Release Bearing**

2000-1996	262/4.3L	
Bearing Assembly .....		614174
1995-1990	262/4.3L	
Bearing Assembly .....		614083
1993-1990	173/2.8L	
Bearing Assembly .....		614083

**5-SPEED MANUAL TRANSMISSION**

**Transmission Rebuild Kit**

2001-1996	(New Venture M50)	
Kit .....		TRK235E <sup>41</sup>
1995-1990	(Warner T5 World Class)	
Kit .....		TRK5W

**Front Input Shaft**

2001-1995	(New Venture M50)(4WD)	
Seal .....		4529N
2001-1995	(New Venture MW2)(4WD)	
Seal .....		223020
Ball Bearing .....		306VVL

**5-SPEED MANUAL TRANSMISSION (cont.)**

**Front Input Shaft (cont.)**

1995-1990	(Warner)	
Seal .....		7412S
Set .....		SET5
Kwik Slv (Opt Rpr) .....		KWK99125
1994-1990	(Hydramatic 5 Spd. (4WD))	
Seal .....		4529N

**Rear Output Shaft**

2001-1995	(New Venture M50)(4WD)	
Seal .....		4530
2001-1995	(New Venture MW2)(4WD)	
Seal .....		416288
Ball Bearing .....		306L
1995-1990	(Warner)	
Seal .....		9613S
Kwik Slv (Opt Rpr) .....		KWK99149
Seal Kit .....		5200 <sup>64</sup>
1994-1990	(Hydramatic 5 Spd. (4WD))	
Seal .....		4532N

**A/C COMPRESSOR**

2002-1990	
Ball Bearing .....	907257
Ball Bearing (Frt Head) .....	S128

**DRIVESHAFT SUPPORT**

2001-1990	
Ball Bearing .....	88107
Hanger Brg Assy .....	HB88107A

**POWER STEERING**

**Pitman Shaft**

1996-1990	
Seal Kit .....	PSK1 <sup>24</sup>

**Pump Shaft**

2002-1994	
Seal .....	7013S
1993-1990	(integral reservoir)
Ball Bearing .....	203FF
1993-1990	(remote reservoir)
Seal .....	7013S

**Worm Shaft**

1996-1990	
Seal .....	222025

**MANUAL STEERING**

**Pitman Shaft**

1993-1990	
Seal .....	251511

<sup>24</sup>Opt. Kit Incls. Seals 5683 & 5684. Not Sold Separately Seal & Bushing Kit

<sup>41</sup>Contains Larger C/S Brgs

<sup>64</sup>Opt.

# Bearings and Seals

Mfg./Year	Model & Location	Part No	Mfg./Year	Model & Location	Part No
-----------	------------------	---------	-----------	------------------	---------

---

## CHEVROLET/GMC TRUCK - Light Truck - S10 Blazer/S15 Jimmy, S10/S15 PU/Sonoma, Cyclone/Typhoon (cont.)

---

### MANUAL STEERING

#### Worm Shaft

1993-1990	
Seal .....	480821
Ball Bearing .....	8537[2]

### CRANKSHAFT FRONT SEAL

#### 4 Cylinder

2003-1994	133/2.2L (Gas)	
Seal .....		9845
Kwik Slv (Opt Rpr) .....		KWK99176
Harmonic Balancer Slv		
Opt .....		88176
1993-1990	151/2.5L	
Seal .....		9845
Kwik Slv (Opt Rpr) .....		KWK99176
Harmonic Balancer Slv		
Opt .....		88176

#### 6 Cylinder

2004-1990	262/4.3L	
Seal .....		9845
Kwik Slv (Opt Rpr) .....		KWK99176
Harmonic Balancer Slv		
Opt .....		88176
1993-1990	173/2.8L	
Seal .....		9845
Kwik Slv (Opt Rpr) .....		KWK99176

### CRANKSHAFT REAR SEAL

#### 4 Cylinder

2003-1994	133/2.2L (Gas)	
Seal .....		4307V
Seal PTFE H/D Opt .....		5273
Kwik Slv (Opt Rpr) .....		KWK99298
1993-1990	151/2.5L	
Seal .....		3698

#### 6 Cylinder

2004-1990	262/4.3L	
Seal Viton .....		4359V
Seal PTFE H/D Opt .....		5274
Kwik Slv (Opt Rpr) .....		KWK99364
1993-1990	173/2.8L	
Seal .....		4307V
Seal PTFE H/D Opt .....		5273
Kwik Slv (Opt Rpr) .....		KWK99298

## CHEVROLET/GMC TRUCK - Light Truck - SSR

---

### FRONT WHEEL

2006-2003	
Hub Assembly .....	513188[2]

### REAR WHEEL

2006-2003	
Seal .....	4762N[2]
Cylindrical Bearing .....	513067[2]
Kit .....	TRP59047[2] <sup>19</sup>

### REAR AXLE

#### Differential

2004-2003	
Set .....	SET36[2]

### REAR AXLE

#### Pinion

2004-2003	
Cone/Cup (Inner) .....	NP544520-NP099285
Seal (Outer) .....	710506
Cone/Cup (Outer) .....	M88048-M88010

### CRANKSHAFT REAR SEAL

#### 8 Cylinder

2004-2003	325/ 5.3L	
Seal .....		100085

## CHEVROLET/GMC TRUCK - Light Truck - Uplander, Uplander AWD

---

### FRONT WHEEL

2006-2005	
Hub Assembly .....	HA590075[2]

### REAR WHEEL

2006-2005	
Hub Assembly .....	HA590073[2]

Mfg./Year	Model & Location	Part No	Mfg./Year	Model & Location	Part No
<hr/>					
<b><i>CHEVROLET/GMC TRUCK - Light Truck - Uplander, Uplander AWD (cont.)</i></b>					
<hr/>					

**REAR WHEEL**  
**4WD/AWD**  
 2006-2005  
 Hub Assembly ..... HA590075[2]

***CHEVROLET/GMC TRUCK - 1/2 TON - Avalanche***

**FRONT WHEEL**  
**2WD**  
 2005  
 Hub Assembly ..... SP450301[2]<sup>76</sup>  
 2004-2002  
 Hub Assembly ..... SP550305[2]<sup>74</sup>

**4WD/AWD**  
 2005-2002  
 Hub Assembly ..... SP550304[2]<sup>74</sup>

**REAR WHEEL**  
 2005-2002  
 Seal ..... 4762N[2]  
 Cylindrical Bearing ..... 513067[2]  
 Kit ..... TRP59047[2]<sup>19</sup>

**4WD FRONT AXLE**  
**Differential**  
 2005-2002  
 Cone/Cup ..... LM501349-LM501314[2]

**Pinion**  
 2005-2003  
 Cone/Cup (Inner) ..... NP544520-NP099285  
 Cone/Cup (Outer) ..... M88048-M88010

**REAR AXLE**  
**Differential Rebuild Kit**  
 2004-2002 (9.5" R.G.)  
 Kit ..... DRK324B  
 2002 (8.5" R.G.)  
 Kit ..... DRK321C

**Differential**  
 2005-2002 (8.5", 8.625" R.G.)  
 Set ..... SET36[2]  
 2005-2002 (9.5" R.G.)  
 Set ..... SET42[2]  
 2004-2002 (10.5" R.G.)  
 Cone/Cup ..... 387AS-382A[2]

**REAR AXLE (cont.)**  
**Differential (cont.)**  
 2004-2002 (11.5" R.G.)  
 Cone/Cup ..... 3984-3920[2]

**Pinion**  
 2005-2003 (8.625" R.G.)  
 Cone/Cup (Inner) ..... NP544520-NP099285  
 Seal (Outer) ..... 710506  
 Cone/Cup (Outer) ..... M88048-M88010  
 2004-2003 (10.5" R.G.)  
 Cone/Cup (Inner) ..... HM903249-HM903210  
 Seal (Outer) ..... 710508  
 Cone/Cup (Outer) ..... NP544520-NP099285  
 Cylindrical Bearing Pilo ..... R1581TV  
 2004-2003 (9.5" R.G.)  
 Cone/Cup (Inner) ..... HM804846-HM804810  
 Seal (Outer) ..... 710507  
 Cone/Cup (Outer) ..... HM88649-HM88610  
 2002 (8.5" R.G.)  
 Cone/Cup (Inner) ..... NP457992-NP926068  
 Cone/Cup (Outer) ..... M88048-M88010

**CRANKSHAFT REAR SEAL**  
**8 Cylinder**  
 2004-2002 325/ 5.3L  
 Seal ..... 100085

<sup>19</sup>Opt. Axle Rpr Brg. Replaces O.E. Brg & Seal

<sup>74</sup>6 Lug.

<sup>76</sup>6 Lug. New # Check For Availability



# Bearings and Seals

Mfg./Year    Model & Location    Part No    Mfg./Year    Model & Location    Part No

---

## CHEVROLET/GMC TRUCK - 1/2 TON - Blazer/Jimmy (Full Size), C-10/15, K-10/15, Silverado/Sierra, Silverado/Sierra HD, Suburban, Tahoe/Yukon

---

### FRONT WHEEL

#### 2WD

2005	New Style Silverado/Sierra, Suburban, Tahoe, Yukon, Yukon XL	
	Hub Assembly .....	SP450301[2] <sup>76</sup>
2004	Ext Cab (B2E Spring Special)(B4V H.O. Eng.)	
	Hub Assembly .....	SP550305[2] <sup>74</sup>
2004-2001	New Style Silverado/Sierra (4Dr Crew Cab)	
	Hub Assembly .....	SP580306[2] <sup>77</sup>
2004-2000	Tahoe/Yukon/Suburban	
	Hub Assembly .....	SP550305[2] <sup>74</sup>
2004-1999	New Style Silverado/Sierra Ext Cab (w/o B2E Spring Special)(w/o B4V H.O. Eng.)	
	Hub Assembly .....	SP550306[2] <sup>74</sup>
2004-1999	New Style Silverado/Sierra Reg Cab	
	Hub Assembly .....	SP550306[2] <sup>74</sup>
1999-1995	Old Style C K Ser. (Diesel)	
	Seal (Inner) .....	4740[2]
	Set (Inner) .....	SET45[2]
	Cone/Cup (Outer) .....	15103S-15243[2]
1999-1995	Old Style C K Ser. (w/o Diesel)	
	Seal (Inner) .....	4739[2]
	Set (Inner) .....	SET5[2]
	Set (Outer) .....	SET3[2]
1999-1992	Tahoe/Yukon/Suburban	
	Seal (Inner) .....	4739[2]
	Set (Inner) .....	SET5[2]
	Set (Outer) .....	SET3[2]
1994-1990	C1500 (H/D)	
	Seal (Inner) .....	4739[2]
	Set (Inner) .....	SET5[2]
	Set (Outer) .....	SET3[2]
1991-1990	C1500 Pickup (L/D)	
	Seal (Inner) .....	4739[2]
	Set (Inner) .....	SET6[2]
	Set (Outer) .....	SET3[2]

#### 4WD/AWD

2005	New Style Silverado/Sierra, Suburban, Tahoe, Yukon, Yukon XL (w/o 4Dr Crew Cab)	
	Hub Assembly .....	SP550304[2] <sup>74</sup>
2005-2001	New Style Silverado/Sierra (4Dr Crew Cab)	
	Hub Assembly .....	SP580304[2] <sup>75</sup>
2004-1999	New Style Silverado/Sierra, Suburban, Tahoe, Yukon, Yukon XL	
	Hub Assembly .....	SP550304[2] <sup>44</sup> <sup>74</sup>
1999-1996	Old Style K1500 Ser. (ABS)	
	Hub Assembly (LH) .....	SP580303 <sup>75</sup>
	Hub Assembly (RH) .....	SP580302 <sup>75</sup>

### FRONT WHEEL (cont.)

#### 4WD/AWD (cont.)

1999-1995	Old Style K1500 Ser., Yukon, Tahoe	
	Hub Assembly (RH) .....	SP550300 <sup>45 85</sup>
	Hub Assembly (LH) .....	SP550301 <sup>45 85</sup>
	Sensor Kit (RH) .....	SK550300 <sup>39</sup>
	Sensor Kit (LH) .....	SK550301 <sup>39</sup>
1994-1992		
	Hub Assembly .....	515001[2] <sup>29</sup>
1991-1990	K1500 (Extnd. Cab or F44 H/D Suspension)	
	Hub Assembly .....	515001[2] <sup>29</sup>
1991-1990	K1500 (w/o Extnd. Cab)(L.D. Suspension)	
	Hub Assembly .....	515002[2] <sup>29</sup>

### REAR WHEEL

2005-2003	Quadrasteer (Crew Cab)	
	Hub Assembly .....	HA590004[2] <sup>77</sup>
2005-2002	Quadrasteer (Exc. Crew Cab)	
	Hub Assembly .....	HA590003[2] <sup>76</sup>
2005-2001	(9.5" R.G.)(w/o Quadrasteer)	
	Seal .....	710105[2]
	Cylindrical Bearing .....	R1561TV[2]
	Kit .....	TGM1561R[2] <sup>19</sup>
2005-1999	New Style (w/o 9.5" R.G.)(w/o Quadrasteer)	
	Seal .....	4762N[2]
	Cylindrical Bearing .....	513067[2]
	Kit .....	TRP59047[2] <sup>19</sup>
1999-1992	Old Style C K Ser.	
	Seal .....	4762N[2]
	Cylindrical Bearing .....	513067[2]
	Kit .....	TRP59047[2] <sup>19</sup>
1999-1990	(8.5" R.G.) C/K 1500 Ser.	
	Seal .....	4762N[2]
	Cylindrical Bearing .....	513067[2]
	Kit .....	TRP59047[2] <sup>19</sup>
1999-1990	(9.5" R.G.) C/K 1500 Ser.	
	Seal .....	710105[2]
	Cylindrical Bearing .....	R1561TV[2]
	Kit .....	TGM1561R[2] <sup>19</sup>
1991-1990	C/K R/V 10 Ser., V1500 Ser., Blazer	
	Seal .....	8835S[2]
	Cylindrical Bearing .....	6408[2]
	Kit .....	TRP1559TV[2] <sup>19</sup>

### 4WD FRONT AXLE

#### Axle Shaft

2002-1999	(8.25" R.G.)	
	Needle Bearing (Inner) .....	B2010[2]
	Needle Bearing (Outer) .....	SCH208
1998-1997	(8.25" R.G.)(2nd design)	
	Needle Bearing (Inner) .....	B2010[2]
	Needle Bearing (Outer) .....	B2012[2]

66 <sup>19</sup>Opt. Axle Rpr Brg. Replaces O.E. Brg & Seal Incls, Sensor Cable, Screw, Grease. 6 Lug Assy Non-Threaded Mtg Holes <sup>74</sup>6 Lug. <sup>75</sup>8 Lug. <sup>77</sup>8 Lug. New # Check For Availability

<sup>29</sup>Seal Is Not Serviceable On This Unit <sup>44</sup>Brg Flg Has Threaded Mtg Holes <sup>45</sup>Brg Flg Has <sup>76</sup>6 Lug. New # Check For Availability <sup>85</sup>When Depleted Use SP550307

## CHEVROLET/GMC TRUCK - 1/2 TON - Blazer/Jimmy (Full Size), C-10/15, K-10/15, Silverado/Sierra, Silverado/Sierra HD, Suburban, Tahoe/Yukon (cont.)

### 4WD FRONT AXLE (cont.)

#### Axle Shaft (cont.)

<b>1997-1990</b> (8.25" R.G.)(1st design)	
Seal (Inner) .....	710101[2]
Needle Bearing (Inner) .....	B2012[2]
Needle Bearing (Outer) .....	B2012
<b>1991-1990</b> (8.5" R.G.)	
Seal .....	5131[2]

#### Differential Rebuild Kit

<b>2004-1997</b> (8.5" R.G.)	
Kit .....	DRK321C
<b>2001-1990</b> (8.5" R.G.)(Locking Diff)	
Kit .....	DRK321D
<b>1997-1990</b> (8.25" R.G.)	
Kit .....	DRK321A
<b>1996-1990</b> (8.5" R.G.)	
Kit .....	DRK321

#### Differential

<b>2005-1990</b> (8.5", 8.25" R.G.)	
Cone/Cup .....	LM501349-LM501314[2]
<b>2004-1990</b> (7.25" R.G.)	
Set .....	SET11[2]

#### Pinion

<b>2005-2003</b> (Crew Cab)	
Cone/Cup (Inner) .....	HM88649-HM88610
Cone/Cup (Outer) .....	HM804846-HM804810
<b>2005-2003</b> (w/o Crew Cab)	
Cone/Cup (Inner) .....	NP544520-NP099285
Cone/Cup (Outer) .....	M88048-M88010
<b>2004-1990</b> (7.25" R.G.)	
Cone/Cup (Inner) .....	M88048S-M88010
Cone/Cup (Outer) .....	M86649-M86610
<b>2002-2000</b> (8.25" R.G.)	
Cone/Cup (Inner) .....	NP457992-NP926068
Cone/Cup (Outer) .....	M88048-M88010
<b>1999-1990</b> (8.25" R.G.)	
Cone/Cup (Inner) .....	M802048-M802011
Seal (Outer) .....	710281
Cone/Cup (Outer) .....	M88048-M88010
Cone/Cup (Outer) Opt .....	M88048A-M88010
Kwik Slv (Opt Rpr) .....	KWK99193
<b>1991-1990</b> V Ser.	
Cone/Cup (Inner) .....	M802048-M802011
Seal (Outer) .....	8622
Cone/Cup (Outer) .....	M88048-M88010
Cone/Cup (Outer) Opt .....	M88048A-M88010
Kwik Slv (Opt Rpr) .....	KWK99193

#### Spindle Kit

<b>1991-1990</b>	
Bearing & Seal Kit .....	SBK1 <sup>33</sup>

### 4WD FRONT AXLE

#### Spindle

<b>1991-1990</b>	
Seal (Inner) .....	722108
Needle Bearing (Inner) .....	B2110
Seal (Outer) .....	722109

### REAR AXLE

#### Differential Rebuild Kit

<b>2005-1998</b> (9.5" R.G.)	
Kit .....	DRK324B
<b>2000-1997</b> (8.5" R.G.)	
Kit .....	DRK321C
<b>1997-1990</b> (9.5" R.G.)(14 Bolt Rr End)	
Kit .....	DRK324
<b>1996-1990</b> (8.5" R.G.)	
Kit .....	DRK321

#### Differential

<b>2005-2000</b> (8.625" R.G.)(2nd design)	
Set .....	SET36[2]
<b>2005-1990</b> (14 Bolt Cover)(9.5" R.G.)	
Set .....	SET42[2]
<b>2000</b> (8.625" R.G.)(1st design)	
Cone/Cup .....	LM501349-LM501314[2]
<b>1999-1990</b> (8.125", 8.5", 8.625" R.G.)	
Cone/Cup .....	LM501349-LM501314[2]

#### Pinion

<b>2005-2001</b> (8.625" R.G.)	
Cone/Cup (Inner) .....	NP544520-NP099285
Seal (Outer) .....	710506
Cone/Cup (Outer) .....	M88048-M88010
<b>2004-1998</b> (9.5" R.G.)	
Cone/Cup (Inner) .....	HM804846-HM804810
Seal (Outer) .....	710507
Cone/Cup (Outer) .....	HM88649-HM88610
Kwik Slv (Opt Rpr) .....	KWK99193
<b>2000-1997</b> (8.5", 8.625" R.G.)(2nd design)	
Cone/Cup (Inner) .....	NP457992-NP926068
Seal (Outer) .....	710506
Cone/Cup (Outer) .....	M88048-M88010
Kwik Slv (Opt Rpr) .....	KWK99193
<b>1997</b> (9.5" R.G.)(2st Design)	
Cone/Cup (Inner) .....	HM804846-HM804810
Seal (Outer) .....	710507
Cone/Cup (Outer) .....	HM88649-HM88610
Kwik Slv (Opt Rpr) .....	KWK99193
<b>1997-1990</b> (9.5" R.G.)(1st Design)	
Cone/Cup (Inner) .....	HM804846-HM804810
Seal (Outer) .....	3896
Cone/Cup (Outer) .....	HM88649-HM88610
Kwik Slv (Opt Rpr) .....	KWK99193

<sup>33</sup>Opt. Kit Incls Brg B2110, Seals 722108 & 722109

# Bearings and Seals

Mfg./Year    Model & Location    Part No    Mfg./Year    Model & Location    Part No

## **CHEVROLET/GMC TRUCK - 1/2 TON - Blazer/Jimmy (Full Size), C-10/15, K-10/15, Silverado/Sierra, Silverado/Sierra HD, Suburban, Tahoe/Yukon (cont.)**

### **REAR AXLE (cont.)**

#### **Pinion (cont.)**

<b>1997-1990</b> (8.5" R.G.)(1st design)	
Cone/Cup (Inner) .....	M802048-M802011
Seal (Outer) .....	2043
Cone/Cup (Outer) .....	M88048-M88010
Seal (Outer) Opt .....	2043
Cone/Cup (Outer) Opt .....	M88048A-M88010

### **TRANSFER CASE REBUILD KIT**

<b>2000-1994</b> (New Process 241C)	
Kit .....	TCRK241D <sup>16</sup>
<b>2000-1994</b> (New Process 243)	
Kit .....	TCRK243 <sup>16</sup>
<b>1993-1990</b> (New Process 241C)	
Kit .....	TCRK241

### **TRANSFER CASE**

#### **Input Shaft**

<b>2002-1999</b> (New Process 246)	
Needle Bearing .....	FC66561
<b>1999-1990</b> (New Process 241)	
Seal .....	3173
Seal Dual Lip .....	710928
Kwik Slv (Opt Rpr) .....	KWK99193

#### **Front Output Shaft**

<b>2000-1990</b>	
Seal .....	3946
Kwik Slv (Opt Rpr) .....	KWK99187

#### **Rear Output Shaft**

<b>2002-1999</b> (New Process 246)	
Needle Bearing .....	B5020
<b>1999-1991</b> (New Process 241, 243)(2nd design)	
Seal .....	4333N
Ball Bearing .....	207
Needle Bearing Pilot .....	B5020[2]
<b>1991</b> (New Process 241)(1st design)	
Seal .....	9449
Ball Bearing .....	1207L
Seal Kit .....	5208 <sup>64</sup>
Needle Bearing Pilot .....	B5020[2]
<b>1990</b> (New Process 241)	
Seal .....	9449
Ball Bearing .....	1207L
Seal Kit .....	5208 <sup>64</sup>
Needle Bearing Pilot .....	B5020[2]

### **TRANSMISSION REBUILD KIT**

<b>2002-1991</b> (New Venture 3500)	
Kit .....	TRK235B
<b>1999-1996</b> (New Venture 4500)	
Kit .....	TRK4500GMI
<b>1995-1991</b> (New Venture 4500)	
Kit .....	TRK4500GM

### **3-SPEED AUTOMATIC TRANSMISSION**

#### **Torque Converter**

<b>1990</b>	
Seal .....	6712NA
Kwik Slv (Opt Rpr) .....	KWK99187

#### **Rear Seal/Ext. Housing**

<b>1990</b> (w/o THM350)	
Seal .....	9449
Seal Kit .....	5208 <sup>64</sup>

#### **Selector Shaft Seal/Man. Shaft**

<b>1990</b>	
Seal .....	8792S

### **4-SPEED AUTOMATIC TRANSMISSION**

#### **Torque Converter**

<b>2002-1991</b> (4L80E)	
Seal .....	4598
Kwik Slv (Opt Rpr) .....	KWK99199
<b>2002-1990</b> (THM700)(4L60 E)	
Seal .....	3227
Kwik Slv (Opt Rpr) .....	KWK99174

#### **Rear Seal/Ext. Housing**

<b>2002-1991</b> (4L80E)(booted)	
Seal .....	4333N
<b>2002-1991</b> (4L80E)(w/o boot)	
Seal .....	9449
Seal Kit .....	5208 <sup>64</sup>
<b>2002-1990</b> (HM4L60)	
Seal .....	9613S
Kwik Slv (Opt Rpr) .....	KWK99149
Seal Kit .....	5200 <sup>64</sup>

#### **Selector Shaft Seal/Man. Shaft**

<b>2002-1990</b>	
Seal .....	8792S

### **CLUTCH - 6 CYLINDER**

#### **Pilot Bearing**

<b>2002-1999</b> 262/4.3L	
Ball Bearing .....	302CC
<b>1998-1990</b> 262/4.3L	
Ball Bearing .....	57080

### **CLUTCH - 8 CYLINDER**

#### **Pilot Bearing**

<b>2002-2001</b> 294/4.8L	
Ball Bearing .....	302CC
<b>2000-1990</b> 293/4.8, 305/5.0, 350/5.7, 379/6.2 (Diesel), 395/6.5 (Diesel), 454/7.4	
Ball Bearing .....	57080

## CHEVROLET/GMC TRUCK - 1/2 TON - Blazer/Jimmy (Full Size), C-10/15, K-10/15, Silverado/Sierra, Silverado/Sierra HD, Suburban, Tahoe/Yukon (cont.)

### CLUTCH - 6 CYLINDER

#### Release Bearing

<b>2002-1996</b>	262/4.3L	
	Bearing Assembly .....	614174
<b>1995-1990</b>	262/4.3L (w/o cable activation)	
	Bearing Assembly .....	614109

### CLUTCH - 8 CYLINDER

#### Release Bearing

<b>2002-1996</b>	293/4.8, 305/5.0, 350/5.7	
	Bearing Assembly .....	614174
<b>1995-1990</b>	305/5.0 (w/o cable Cl.)	
	350/5.7, 379/6.2, 395/6.5,	
	454/7.4	
	Bearing Assembly .....	614109

### 4-SPEED MANUAL TRANSMISSION

#### Input Shaft

<b>1991-1990</b>	(Muncie)(M20)(CH465)(2nd design)	
	Seal .....	481181N
	Ball Bearing .....	211FFLE
	Kwik Slv (Opt Rpr) .....	KWK99162
<b>1990</b>	(Muncie M20, CH465)(1st design)	
	Seal .....	481181N
	Ball Bearing .....	N1211L
	Kwik Slv (Opt Rpr) .....	KWK99162

#### Rear Output Shaft

<b>1991-1990</b>	(Muncie M20, CH465)	
	Seal .....	410085
	Ball Bearing .....	308FFL

### 5-SPEED MANUAL TRANSMISSION

#### Front Input Shaft

<b>2004-1991</b>	(New Process 3500)	
	Seal .....	4529N
	Ball Bearing .....	307FFLS
	Kwik Slv (Opt Rpr) .....	KWK99138
<b>2000-1999</b>	(New Process 4500)	
	Seal .....	714655
	Cone/Cup .....	M802048CP-NP728109
<b>1998-1991</b>	(New Process 4500)	
	Seal .....	714655
	Cone/Cup .....	M802048CP-M802011AP
	Kwik Slv (Opt Rpr) .....	KWK99133
<b>1991-1990</b>	(Getrag)	
	Seal .....	4529N
	Kwik Slv (Opt Rpr) .....	KWK99133

### 5-SPEED MANUAL TRANSMISSION

#### Front Countershaft

<b>2004-1991</b>	(New Process 3500)	
	Needle Bearing .....	FC68336[2]
<b>2000-1991</b>	(New Process 4500)	
	Cone/Cup .....	LM102949CP-LM102910P

#### Rear Countershaft

<b>2000-1991</b>	(New Process 4500)	
	Cone/Cup .....	LM501349HP-LM501310P

#### Rear Output Shaft

<b>2005-1996</b>	(New Process 3500)(4WD)	
	Seal .....	4528N
	Ball Bearing .....	307FF5
<b>2005-1991</b>	(New Process 3500)(4WD)	
	Seal .....	4532N
	Ball Bearing .....	307FF5
<b>2001-1996</b>	(Getrag MG5)(New Venture Gear M50)	
	Seal .....	410085
	Ball Bearing .....	307FFLS
	Kwik Slv (Opt Rpr) .....	KWK99146
<b>2000-1991</b>	(New Process 4500)	
	Seal .....	714654
	Cone/Cup .....	M804049-M804010
	Kwik Slv (Opt Rpr) .....	KWK99199
<b>1995-1992</b>	(Getrag)(4WD)(MG5)	
	Seal .....	410085
	Ball Bearing .....	307FF
	Kwik Slv (Opt Rpr) .....	KWK99146
<b>1995-1990</b>	(Getrag MG5)(4WD)	
	Seal .....	2692
	Ball Bearing .....	307FF
	Kwik Slv (Opt Rpr) .....	KWK99187
<b>1991-1990</b>	(Getrag)(4WD)(MG5)	
	Seal .....	4532N
	Kwik Slv (Opt Rpr) .....	KWK99146

#### Extension Housing

<b>1999-1991</b>	(New Process 4500)(2WD)	
	Needle Bearing .....	B5020

### A/C COMPRESSOR

<b>2002-1990</b>		
	Ball Bearing .....	907257
	Ball Bearing (Frt Head) .....	S128

### DRIVESHAFT SUPPORT

<b>2001-1990</b>	(Spicer 1280, 1310, 1330)(1.3780" Brg. I.D.)	
	Ball Bearing .....	88107
	Hanger Brg Assy .....	HB88107A
<b>1991-1990</b>	(Spicer 1410)(4WD)(1.5748" Brg. I.D.)	
	Hanger Brg Assy .....	HB108

# Bearings and Seals

Mfg./Year	Model & Location	Part No	Mfg./Year	Model & Location	Part No
<b>CHEVROLET/GMC TRUCK - 1/2 TON - Blazer/Jimmy (Full Size), C-10/15, K-10/15, Silverado/Sierra, Silverado/Sierra HD, Suburban, Tahoe/Yukon (cont.)</b>					

## POWER STEERING

### Pitman Shaft

2000-1990	Seal Kit	PSK1 <sup>24</sup>
-----------	----------	--------------------

### Pump Shaft

2000-1990	Seal	7013S
	Ball Bearing	8537

## CRANKSHAFT FRONT SEAL

### 6 Cylinder

2004-1990	Seal	9845
	Kwik Slv (Opt Rpr)	KWK99176
	Harmonic Balancer Slv	
	Opt	88176

### 8 Cylinder

2000-1990	(w/o 454 & Diesel)	Seal	9845
		Kwik Slv (Opt Rpr)	KWK99176
1999-1990	(454 & Diesel)	Seal	3945
		Kwik Slv (Opt Rpr)	KWK99233

## CRANKSHAFT REAR SEAL

### 6 Cylinder

2004-1990	262/4.3L	Seal Viton	4359V
		Seal PTFE H/D Opt	5274
		Kwik Slv (Opt Rpr)	KWK99364

### 8 Cylinder

2004-1999	293/4.8L, 325/5.3L, 364/6.0L	Seal	100085
2000-1990	305/5.0L, 350/5.7L	Seal Viton	4359V
		Seal PTFE H/D Opt	5274
		Kwik Slv (Opt Rpr)	KWK99364
1999-1992	379/6.2L (Diesel) 395/6.5L (Diesel) 395/6.5L (Turbo Diesel)	Seal Viton	710258
		Kwik Slv (Opt Rpr)	KWK99452
1991-1990	379/6.2L (Diesel)	Seal	5163
1990	454/7.4L	Seal	5072

# CHEVROLET/GMC TRUCK - 1/2 TON - G10/G15, Express/Savana

## FRONT WHEEL

2006-2003	(2WD)	Hub Assembly	SP550305[2] <sup>74</sup>
2002-1993		Seal (Inner)	4739[2]
		Set (Inner)	SET5[2]
		Set (Outer)	SET3[2]
1992-1990		Seal (Inner)	8871[2]
		Set (Inner)	SET5[2]
		Set (Outer)	SET3[2]

### 4WD/AWD

2006-2003	(AWD)	Hub Assembly	SP550304[2] <sup>74</sup>
-----------	-------	--------------	---------------------------

## REAR WHEEL

2005-1996	Seal	4762N[2]
	Cylindrical Bearing	513067[2]
	Kit	TRP59047[2] <sup>19</sup>
1995-1990	Seal	8835S[2]
	Cylindrical Bearing	6408[2]
	Kit	TRP1559TV[2] <sup>19</sup>

## REAR AXLE

### Differential Rebuild Kit

2005-1998	(9.5" R.G.)	Kit	DRK324B
2000-1997	(8.5" R.G.)	Kit	DRK321C
1997-1990	(9.5" R.G.)	Kit	DRK324
1996-1990	(8.5" R.G.)	Kit	DRK321

### Differential

2005-2001	(8.625" R.G.)	Set	SET36[2]
2005-1993	(9.5" R.G.)	Set	SET42[2]
2000	(8.625" R.G.)(1st design)	Cone/Cup	LM501349-LM501310[2]
2000	(8.625" R.G.)(2nd design)	Set	SET36[2]
1999-1990	(8.5", 8.625" R.G.)	Cone/Cup	LM501349-LM501314[2]

70  
<sup>19</sup>Opt. Axle Rpr Brg. Replaces O.E. Brg & Seal  
<sup>24</sup>Opt. Kit Incls. Seals 5683 & 5684. Not Sold Separately  
<sup>74</sup>6 Lug.

**REAR AXLE**

**Pinion**

<b>2005-2001</b>	(8.625" R.G.)	
Cone/Cup (Inner)	.....	NP544520-NP099285
Seal (Outer)	.....	710506
Cone/Cup (Outer)	.....	M88048-M88010
Kwik Slv (Opt Rpr)	.....	KWK99193
<b>2005-1998</b>	(9.5" R.G.)	
Cone/Cup (Inner)	.....	HM804846-HM804810
Seal (Outer)	.....	710507
Cone/Cup (Outer)	.....	HM88649-HM88610
Kwik Slv (Opt Rpr)	.....	KWK99193
<b>2002-1997</b>	(8.5", 8.625" R.G.)	
Cone/Cup (Inner)	.....	NP457992-NP926068
Seal (Outer)	.....	710506
Cone/Cup (Outer)	.....	M88048-M88010
Kwik Slv (Opt Rpr)	.....	KWK99193
<b>1997-1993</b>	(9.5" R.G.)	
Cone/Cup (Inner)	.....	HM804846-HM804810
Seal (Outer)	.....	3896
Cone/Cup (Outer)	.....	HM88649-HM88610
Kwik Slv (Opt Rpr)	.....	KWK99193
<b>1996-1990</b>	(8.5" R.G.)	
Cone/Cup (Inner)	.....	M802048-M802011
Seal (Outer)	.....	2043
Cone/Cup (Outer)	.....	M88048-M88010
Cone/Cup (Outer) Opt	.....	M88048A-M88010
Kwik Slv (Opt Rpr)	.....	KWK99193

**3-SPEED AUTOMATIC TRANSMISSION**

**Torque Converter**

<b>1992-1990</b>	
Seal	..... 6712NA
Kwik Slv (Opt Rpr)	.....KWK99187

**Rear Seal/Ext. Housing**

<b>1990</b>	(w/o THM350)
Seal	.....9449
Seal Kit	.....5208 <sup>64</sup>

**Selector Shaft Seal/Man. Shaft**

<b>1990</b>	
Seal	.....8792S

**4-SPEED AUTOMATIC TRANSMISSION**

**Torque Converter**

<b>2002-1990</b>	(THM700)(4L60 E)
Seal	.....3227
Kwik Slv (Opt Rpr)	.....KWK99174
<b>2001-1991</b>	(4L80E)
Seal	.....4598
Kwik Slv (Opt Rpr)	.....KWK99199

**4-SPEED AUTOMATIC TRANSMISSION**

**Rear Seal/Ext. Housing**

<b>2002-1991</b>	(4L80E)(booted)
Seal	..... 4333N
<b>2002-1991</b>	(4L80E)(w/o boot)
Seal	..... 9449
Seal Kit	.....5208 <sup>64</sup>
<b>2002-1990</b>	(HM4L60)
Seal	.....9613S
Kwik Slv (Opt Rpr)	.....KWK99149
Seal Kit	.....5200 <sup>64</sup>

**Selector Shaft Seal/Man. Shaft**

<b>2002-1990</b>	
Seal	.....8792S

**CLUTCH - 6 CYLINDER**

**Pilot Bearing**

<b>2000-1990</b>	
Ball Bearing	..... 57080

**CLUTCH - 8 CYLINDER**

**Pilot Bearing**

<b>2002-1990</b>	
Ball Bearing	..... 57080

**CLUTCH**

**Release Bearing**

<b>2000-1990</b>	(Hyd. Mechanism)
Bearing Assembly	.....614174

**DRIVESHAFT SUPPORT**

<b>1990</b>	
Ball Bearing	..... 88107
Hanger Brg Assy	..... HB88107A

**POWER STEERING**

**Pitman Shaft**

<b>2000-1990</b>	
Seal Kit	.....PSK1 <sup>24</sup>

**Pump Shaft**

<b>2000-1990</b>	
Seal	.....7013S
Ball Bearing	..... 8537

**CRANKSHAFT FRONT SEAL**

**6 Cylinder**

<b>2004-1990</b>	
Seal	.....9845
Kwik Slv (Opt Rpr)	.....KWK99176
Harmonic Balancer Slv	
Opt	..... 88176

<sup>24</sup>Opt. Kit Incls. Seals 5683 & 5684. Not Sold Separately

<sup>64</sup>Opt. Seal & Bushing Kit

# Bearings and Seals

Mfg./Year    Model & Location    Part No    Mfg./Year    Model & Location    Part No

## **CHEVROLET/GMC TRUCK - 1/2 TON - G10/G15, Express/Savana (cont.)**

### **CRANKSHAFT FRONT SEAL**

#### **8 Cylinder**

2002-1990 (w/o 454 & Diesel )  
 Seal 61.37mm O.D. .... 9845  
 Kwik Slv (Opt Rpr) .....KWK99176

### **CRANKSHAFT REAR SEAL**

#### **6 Cylinder**

2004-1990  
 Seal Viton ..... 4359V  
 Seal PTFE H/D Opt ..... 5274  
 Kwik Slv (Opt Rpr) .....KWK99364

### **CRANKSHAFT REAR SEAL**

#### **8 Cylinder**

2004-2003 327/5.3L  
 Seal ..... 100085  
 2002-1990 305/5.0L, 350/5.7L  
 Seal Viton ..... 4359V  
 Seal PTFE H/D Opt ..... 5274  
 Kwik Slv (Opt Rpr) .....KWK99364

## **CHEVROLET/GMC TRUCK - 3/4 TON - Avalanche**

### **FRONT WHEEL**

#### **2WD**

2005-2002  
 Hub Assembly ..... SP580306[2]<sup>77</sup>

#### **4WD/AWD**

2005-2002  
 Hub Assembly ..... SP580304[2]<sup>75</sup>

### **REAR WHEEL**

2005-2003 (10.5" R.G.)  
 Seal ..... 710105[2]  
 Cone/Cup ..... 387AS-382A[2]  
 2005-2002 (9.5" R.G.)  
 Seal ..... 710105[2]  
 Cylindrical Bearing ..... R1561TV[2]  
 Kit ..... TGM1561R[2]<sup>19</sup>

### **4WD FRONT AXLE**

#### **Differential Rebuild Kit**

2005-2003  
 Kit ..... DRK324A

#### **Differential**

2005-2003 (9.25" R.G.)  
 Set ..... SET42[2]

#### **Pinion**

2005-2002 (9.25" R.G.)  
 Cone/Cup (Inner) ..... HM804846-HM804810  
 Seal (Outer) ..... 710281  
 Cone/Cup (Outer) ..... HM88649-HM88610

### **REAR AXLE**

#### **Differential Rebuild Kit**

2004-2002 (9.5" R.G.)  
 Kit ..... DRK324B

### **REAR AXLE**

#### **Differential**

2005-2003 (9.5" R.G.)  
 Set ..... SET42[2]  
 2005-2002 (10.5" R.G.)(HD)  
 Cone/Cup ..... 387AS-382A[2]  
 2004-2002 (8.5", 8.625" R.G.)  
 Set ..... SET36[2]  
 2003-2002 (10.5" R.G.)  
 Cone/Cup ..... 387AS-382A[2]

#### **Pinion**

2004-2003 (10.5" R.G.)(HD)  
 Cone/Cup (Inner) ..... HM903249-HM903210  
 Seal (Outer) ..... 710508  
 Cone/Cup (Outer) ..... NP544520-NP099285  
 Cylindrical Bearing Pilo ..... R1581TV  
 2004-2003 (9.5" R.G.)  
 Cone/Cup (Inner) ..... HM804846-HM804810  
 Seal (Outer) ..... 710507  
 Cone/Cup (Outer) ..... HM88649-HM88610  
 2002 (10.5" R.G.)  
 Cone/Cup (Inner) ..... HM903249-HM903210  
 Seal (Outer) ..... 710508  
 Cone/Cup (Outer) ..... NP457992-NP926068  
 Cylindrical Bearing Pilo ..... R1581TV

Mfg./Year	Model & Location	Part No	Mfg./Year	Model & Location	Part No
<b>CHEVROLET/GMC TRUCK - 3/4 TON - C-20/25, K-20/25, Silverado/Sierra, Suburban, Silverado 2500 HD, Yukon XL 2500</b>					

## FRONT WHEEL

### 2WD

<b>2005-2001</b>	New Style Silverado/Sierra (2" Body Raise)(H.D. Series)	
	Hub Assembly	SP580305[2] <sup>77</sup>
<b>2005-2001</b>	New Style Silverado/Sierra, Suburban, Yukon XL (w/o 2" Body Raise)	
	Hub Assembly	SP580306[2] <sup>77</sup>
<b>2000-1999</b>	New Style Silverado/Sierra, Suburban, Yukon XL	
	Hub Assembly	SP580307[2] <sup>77</sup>
<b>2000-1992</b>	Old Style C K Ser. (7200 GVW)	
	Seal (Inner)	4739[2]
	Set (Inner)	SET5[2]
	Set (Outer)	SET3[2]
<b>2000-1992</b>	Old Style C K Ser. (8600 GVW)	
	Seal (Inner)	4740[2]
	Set (Inner)	SET45[2]
	Cone/Cup (Outer)	15103S-15243[2]
<b>1991-1990</b>	C Ser. & Suburban (8600 GVW)	
	Seal (Inner)	8974S[2]
	Set (Inner)	SET45[2]
	Cone/Cup (Outer)	15103S-15243[2]
<b>1991-1990</b>	C Ser. & Suburban (7200 GVW)	
	Seal (Inner)	4739[2]
	Set (Inner)	SET5[2]
	Set (Outer)	SET3[2]

### 4WD/AWD

<b>2005-1999</b>	New Style Silverado/Sierra, Suburban, Yukon XL	
	Hub Assembly	SP580304[2] <sup>75</sup>
<b>2000-1996</b>	Old Style C/K Ser. (8 Lug Whl.)(ABS)	
	Hub Assembly (RH)	SP580302 <sup>75</sup>
	Hub Assembly (LH)	SP580303 <sup>75</sup>
	Sensor Kit (RH)	SK580302 <sup>84</sup>
	Sensor Kit (LH)	SK580303 <sup>84</sup>
<b>2000-1995</b>	Old Style C/K Ser. (6 Lug Whl.)(ABS)	
	Hub Assembly (RH)	SP550300 <sup>45 85</sup>
	Hub Assembly (LH)	SP550301 <sup>45 85</sup>
	Sensor Kit (RH)	SK550300 <sup>39</sup>
	Sensor Kit (LH)	SK550301 <sup>39</sup>
<b>1995</b>	Pickup, Suburban, Tahoe (8 Lug Whl.)(ABS)	
	Hub Assembly (LH)	SP580301 <sup>75</sup>
	Hub Assembly (RH)	SP580300 <sup>75</sup>
	Sensor Kit (RH)	SK580300 <sup>84</sup>
	Sensor Kit (LH)	SK580301 <sup>84</sup>
<b>1994-1990</b>	Pickup, Suburban (6 Lug Whl.)	
	Hub Assembly	515001[2] <sup>29</sup>
<b>1994-1990</b>	Pickup, Suburban (8600 GVW)(8 Lug Whl.)	
	Hub Assembly	HA591339[2] <sup>77</sup>
<b>1993-1990</b>	(w/o Hub Assy.)	
	Seal (Inner)	471271[2]
	Cone/Cup (Inner)	LM104949-JLM104910[2]
	Set (Outer)	SET45[2]

## REAR WHEEL

<b>2005-2003</b>	Quadrasteer	
	Hub Assembly	HA590004[2] <sup>77</sup>
<b>2005-1999</b>	New Style Silverado/Sierra, Suburban, Yukon XL (10.5" R.G.)	
	Cone/Cup (Inner)	387AS-382A[2]
	Set (Outer)	SET38[2]
<b>2005-1990</b>	C, K, Yukon XL, Silverado/Sierra, Suburban (9.5" R.G.)	
	Seal	710105[2]
	Cylindrical Bearing	R1561TV[2]
	Kit	TGM1561R[2] <sup>19</sup>
<b>2000-1990</b>	Old Style C/K (10.5" R.G.)	
	Seal	2081[2]
	Cone/Cup (Inner)	387AS-382A[2]
	Set (Outer)	SET38[2]
<b>1991-1990</b>	R,V (9.5" R.G.)	
	Seal	3747[2]
	Cylindrical Bearing	R1561TV[2]
	Kit	TGM1561R[2] <sup>19</sup>

## 4WD FRONT AXLE

### Differential Rebuild Kit

<b>2004-1997</b>	(8.5" R.G.)	
	Kit	DRK321C
<b>2002-1990</b>	(9.25" R.G.)	
	Kit	DRK324A
<b>1996-1990</b>	(8.5" R.G.)	
	Kit	DRK321

### Differential

<b>2005-1990</b>	(9.25" R.G.)	
	Seal	450094[2]
	Set	SET42[2]
<b>2000-1990</b>	(8.25", 8.5" R.G.)(GM axle)	
	Cone/Cup	LM501349-LM501314[2]

### Pinion

<b>2005-1990</b>	(9.25" R.G.)	
	Cone/Cup (Inner)	HM804846-HM804810
	Seal (Outer)	710281
	Cone/Cup (Outer)	HM88649-HM88610
<b>2000-1990</b>	(8.25" R.G.)(GM axle)	
	Cone/Cup (Inner)	M802048-M802011
	Seal (Outer)	710281
	Cone/Cup (Outer)	M88048-M88010
	Cone/Cup (Outer) Opt	M88048A-M88010
<b>1991-1990</b>	(8.5" R.G.)(GM axle)	
	Cone/Cup (Inner)	M802048-M802011
	Seal (Outer)	8622
	Cone/Cup (Outer)	M88048-M88010
	Cone/Cup (Outer) Opt	M88048A-M88010

<sup>19</sup>Opt. Axle Rpr Brg. Replaces O.E. Brg & Seal Incls, Sensor Cable, Screw, Grease. 6 Lug Assy      <sup>29</sup>Seal Is Not Serviceable On This Unit      <sup>39</sup>Opt. Kit      **73**  
<sup>45</sup>Brg Flg Has Non-Threaded Mtg Holes      <sup>75</sup>8 Lug.  
<sup>77</sup>8 Lug. New # Check For Availability      <sup>84</sup>Opt. Kit Incls, Sensor Cable, Screw, Grease. 8 Lug Assy.  
<sup>85</sup>When Depleted Use SP550307



# Bearings and Seals

Mfg./Year    Model & Location    Part No    Mfg./Year    Model & Location    Part No

## **CHEVROLET/GMC TRUCK - 3/4 TON - C-20/25, K-20/25, Silverado/Sierra, Suburban, Silverado 2500 HD, Yukon XL 2500 (cont.)**

### **4WD FRONT AXLE**

#### **Spindle Kit**

1991-1990  
Bearing & Seal Kit ..... SBK1<sup>33</sup>

#### **Spindle**

1991-1990  
Seal (Inner) ..... 722108  
Needle Bearing (Inner) ..... B2110  
Seal (Outer) ..... 722109

### **REAR AXLE**

#### **Differential Rebuild Kit**

2004-1998 (9.5" R.G.)(14 Bolt Rr End)  
Kit ..... DRK324B  
2004-1997 (8.5" R.G.)  
Kit ..... DRK321C  
2003-1997 (10.5" R.G.)  
Kit ..... DRK325B  
1997-1990 (9.5" R.G.)  
Kit ..... DRK324  
1996-1990 (10.5" R.G.)(2nd design)  
Kit ..... DRK325A  
1996-1990 (8.5" R.G.)  
Kit ..... DRK321

#### **Differential**

2005-1990 (9.5" R.G.)  
Set ..... SET42[2]  
2005-1990 (10.5" R.G.)  
Cone/Cup ..... 387AS-382A[2]  
2000-1990 (8.5" R.G.)  
Cone/Cup ..... LM501349-LM501314[2]

#### **Pinion**

2004-2003 (10.5" R.G.)  
Cone/Cup (Inner) ..... HM903249-HM903210  
Seal (Outer) ..... 710508  
Cone/Cup (Outer) ..... NP544520-NP099285  
Cylindrical Bearing Pilo ..... R1581TV  
2004-2003 (10.5" R.G.)(HD)  
Cone/Cup (Inner) ..... HM903249-HM903210  
Seal (Outer) ..... 710508  
Cone/Cup (Outer) ..... NP544520-NP099285  
Cylindrical Bearing Pilo ..... R1581TV  
2004-1998 (9.5" R.G.)  
Cone/Cup (Inner) ..... HM804846-HM804810  
Seal (Outer) ..... 710507  
Cone/Cup (Outer) ..... HM88649-HM88610  
2002-1997 (8.5", 8.625" R.G.)  
Cone/Cup (Inner) ..... NP457992-NP926068  
Seal (Outer) ..... 710506  
Cone/Cup (Outer) ..... M88048-M88010  
Kwik Slv (Opt Rpr) ..... KWK99193

### **REAR AXLE (cont.)**

#### **Pinion (cont.)**

2002-1990 (10.5" R.G.)  
Cone/Cup (Inner) ..... HM903249-HM903210  
Seal (Outer) ..... 2286  
Cone/Cup (Outer) ..... M802048-M802011  
Cylindrical Bearing Pilo ..... R1581TV  
1997-1990 (9.5" R.G.)  
Cone/Cup (Inner) ..... HM804846-HM804810  
Seal (Outer) ..... 3896  
Cone/Cup (Outer) ..... HM88649-HM88610

### **TRANSFER CASE REBUILD KIT**

2000-1994 (New Process 241C)  
Kit ..... TCRK241D<sup>16</sup>  
2000-1994 (New Process 243C)  
Kit ..... TCRK243<sup>16</sup>  
1993-1990 (New Process 241C)  
Kit ..... TCRK241D<sup>16</sup>

### **TRANSFER CASE**

#### **Input Shaft**

2000-1995 (New Process 241, 243)  
Seal ..... 3173[2]  
Ball Bearing ..... 110L  
Seal Dual Lip ..... 710928  
Kwik Slv (Opt Rpr) ..... KWK99193  
Needle Bearing Pilot ..... FC66561  
1994 (New Process 241)(1st design)  
Seal ..... 3173[2]  
Ball Bearing ..... N5210KLB  
Seal Dual Lip ..... 710298[2]  
Kwik Slv (Opt Rpr) ..... KWK99193[2]  
Needle Bearing Pilot ..... FC66561  
1994 (New Process 241)(2nd design)  
Seal ..... 3173[2]  
Ball Bearing ..... 110L  
Seal Dual Lip ..... 710298[2]  
Kwik Slv (Opt Rpr) ..... KWK99193[2]  
Needle Bearing Pilot ..... FC66561  
1993-1991 (New Process 241)  
Seal ..... 3173[2]  
Ball Bearing ..... N5210KLB  
Seal Dual Lip ..... 710298[2]  
Kwik Slv (Opt Rpr) ..... KWK99193[2]  
Needle Bearing (Pilot)  
Pilot ..... FC66561  
1990 (New Process 241)  
Seal ..... 3173[2]  
Ball Bearing ..... N5210KLB  
Seal Dual Lip ..... 710298[2]  
Kwik Slv (Opt Rpr) ..... KWK99193[2]  
Needle Bearing Pilot ..... SCH1810

## **CHEVROLET/GMC TRUCK - 3/4 TON - C-20/25, K-20/25, Silverado/Sierra, Suburban, Silverado 2500 HD, Yukon XL 2500 (cont.)**

### **TRANSFER CASE**

#### **Front Output Shaft**

<b>2000-1990</b> (New Process 241, 243)	
Seal .....	3946
Ball Bearing .....	207
Kwik Slv (Opt Rpr) .....	KWK99187
Needle Bearing Pilot .....	J2416

#### **Rear Output Shaft**

<b>2000-1991</b> (New Process 241, 243)	
Seal .....	4333N
Ball Bearing .....	207
Needle Bearing Pilot .....	B5020[2]
<b>1991</b> (New Process 241)(1st design)	
Seal .....	9449
Ball Bearing .....	207
Needle Bearing Pilot .....	B5020[2]
<b>1991</b> (New Process 241)(2nd design)	
Seal .....	4333N
Ball Bearing .....	207
Needle Bearing Pilot .....	B5020[2]
<b>1990</b> (New Process 241)	
Seal .....	9449
Ball Bearing .....	207
Seal Kit .....	5208 <sup>64</sup>
Needle Bearing Pilot .....	B5020[2]

#### **Oil Pump Housing**

<b>2000-1990</b> (New Process 208, 241, 243)	
Seal .....	341022
Kwik Slv (Opt Rpr) .....	KWK99225

### **TRANSMISSION REBUILD KIT**

<b>2002-1996</b> (New Venture 4500)	
Kit .....	TRK4500GMI
<b>1999-1991</b> (New Venture 3500)	
Kit .....	TRK235B
<b>1995-1991</b> (New Venture 4500)	
Kit .....	TRK4500GM

### **3-SPEED AUTOMATIC TRANSMISSION**

#### **Torque Converter**

<b>1990</b>	
Seal .....	6712NA
Kwik Slv (Opt Rpr) .....	KWK99187

#### **Rear Seal/Ext. Housing**

<b>1990</b> (THM400)(1.890" shaft)	
Seal .....	9449
Seal Kit .....	5208 <sup>64</sup>

#### **Selector Shaft Seal/Man. Shaft**

<b>1990</b>	
Seal .....	8792S

### **4-SPEED AUTOMATIC TRANSMISSION**

#### **Torque Converter**

<b>2002-1993</b> (HM4L60, E)	
Seal .....	3227
Kwik Slv (Opt Rpr) .....	KWK99174
<b>2001-1991</b> (4L80E)(THMR2)	
Seal .....	4598
Kwik Slv (Opt Rpr) .....	KWK99199
<b>2000-1990</b> (THM700)(4L60 E)	
Seal .....	3227
Kwik Slv (Opt Rpr) .....	KWK99174

#### **Rear Seal/Ext. Housing**

<b>2002-1991</b> (4L80E)(THMR2)(booted)	
Seal .....	4333N
<b>2002-1991</b> (4L80E)(THMR2)(w/o boot)	
Seal .....	9449
Seal Kit .....	5208 <sup>64</sup>
<b>1992-1990</b> (THM700 R4)	
Seal .....	9613S
Kwik Slv (Opt Rpr) .....	KWK99149
Seal Kit .....	5200 <sup>64</sup>

#### **Selector Shaft Seal/Man. Shaft**

<b>2002-1990</b>	
Seal .....	8792S

### **CLUTCH**

#### **Pilot Bearing**

<b>2002-2001</b> 346/6.0, 496/8.1	
Ball Bearing .....	302CC
<b>2000-1994</b> (Gas)	
Ball Bearing .....	57080
<b>2000-1990</b> (Diesel)(TurboDiesel)	
Ball Bearing .....	57080
<b>1993-1990</b> (Gas)	
Bushing H/D .....	PB656HD

### **CLUTCH - 6 CYLINDER**

#### **Release Bearing**

<b>1995-1990</b> (Hyd.)	
Bearing Assembly .....	614109

### **CLUTCH - 8 CYLINDER**

#### **Release Bearing**

<b>2002-1996</b>	
Bearing Assembly .....	614174
<b>1995-1990</b> (w/o cable Cl.)	
Bearing Assembly .....	614109

### **4-SPEED MANUAL TRANSMISSION**

#### **Input Shaft**

<b>1991</b> (CH465)	
Seal .....	481181N
Ball Bearing .....	211FFLE
Kwik Slv (Opt Rpr) .....	KWK99162

<sup>64</sup>Opt. Seal & Bushing Kit

# Bearings and Seals

Mfg./Year    Model & Location    Part No    Mfg./Year    Model & Location    Part No

## **CHEVROLET/GMC TRUCK - 3/4 TON - C-20/25, K-20/25, Silverado/Sierra, Suburban, Silverado 2500 HD, Yukon XL 2500 (cont.)**

### **4-SPEED MANUAL TRANSMISSION**

**(cont.)**

#### **Input Shaft (cont.)**

<b>1990</b>	(CH465)(1st design)	
Seal	.....	481181N
Ball Bearing	.....	N1211L
Kwik Slv (Opt Rpr)	.....	KWK99162
<b>1990</b>	(CH465)(2nd design)	
Seal	.....	481181N
Ball Bearing	.....	211FFLE
Kwik Slv (Opt Rpr)	.....	KWK99162

#### **Rear Output Shaft**

<b>1991-1990</b>	(CH465)	
Seal	.....	410085
Ball Bearing	.....	308FFL

### **5-SPEED MANUAL TRANSMISSION**

#### **Front Input Shaft**

<b>2004-1999</b>	(New Process 4500, 4500HD)	
Seal	.....	714655
Cone/Cup	.....	M802048CP-NP728109
Kwik Slv (Opt Rpr)	.....	KWK99133
<b>1998-1991</b>	(New Process 3500)	
Seal	.....	4529N
Ball Bearing	.....	307FFLS
Kwik Slv (Opt Rpr)	.....	KWK99138
<b>1998-1991</b>	(New Process 4500)	
Seal	.....	714655
Cone/Cup	.....	M802048CP-M802011AP
Kwik Slv (Opt Rpr)	.....	KWK99133
<b>1991-1990</b>	(Getrag MG5)(4WD)	
Seal	.....	4529N
Kwik Slv (Opt Rpr)	.....	KWK99138
<b>1991-1990</b>	(Getrag)(4WD)	
Seal	.....	4529N
Kwik Slv (Opt Rpr)	.....	KWK99133

#### **Front Countershaft**

<b>2004-1991</b>	(New Process 4500)	
Cone/Cup	.....	LM102949CP-LM102910P

#### **Rear Countershaft**

<b>2004-1991</b>	(New Process 4500)	
Cone/Cup	.....	LM501349HP-LM501310P

#### **Rear Output Shaft**

<b>2005-1991</b>	(New Process 4500)	
Seal	.....	714654
Cone/Cup	.....	M804049-M804010
<b>2004-2001</b>	(New Process 4500HD)	
Seal	.....	714670
Cone/Cup	.....	M804049-M804010
<b>1998-1996</b>	(New Process 3500)(4WD)	
Seal	.....	4528N
Ball Bearing	.....	307FFTB

### **5-SPEED MANUAL TRANSMISSION**

**(cont.)**

#### **Rear Output Shaft (cont.)**

<b>1998-1991</b>	(New Process 3500)(4WD)	
Seal	.....	4532N
Ball Bearing	.....	307FFTB
<b>1995-1991</b>	(N.P.3500 # C320844)(4WD)	
Seal	.....	4530
Ball Bearing	.....	307FFTB
<b>1995-1991</b>	(N.P.3500 Exc. # C320844)(4WD)	
Seal	.....	4528N
Ball Bearing	.....	307FFTB
<b>1991-1990</b>	(Getrag)	
Seal	.....	4530

#### **Extension Housing**

<b>2002-1991</b>	(New Process 4500)(2WD)	
Needle Bearing	.....	B5020

### **A/C COMPRESSOR**

<b>2002-1990</b>		
Ball Bearing	.....	907257
Ball Bearing (Frt Head)	.....	S128

### **ALTERNATOR**

<b>2002-1990</b>	(Delco 100, 124, 140, 145 Amp.)	
Ball Bearing (Rear End)	.....	100CCAB
<b>1991-1990</b>	(Delco 56, 66, 78 Amp.)	
Ball Bearing (Drive End)	.....	203FF
<b>1991-1990</b>	(Delco 37, 42, 55, 56, 61, 63, 66, 78 Amp.)	
Ball Bearing (Rear End)	.....	MNJ471S

### **DRIVESHAFT SUPPORT**

<b>1999-1990</b>	(Spicer 1280, 1310, 1330)(1.3780" Brg. I.D.)	
Ball Bearing	.....	88107
Hanger Brg Assy	.....	HB88107A

### **POWER STEERING**

#### **Pitman Shaft**

<b>1991-1990</b>		
Seal (Inner)	.....	471413
Seal (Outer)	.....	7412S
Seal Kit	.....	PSK1 <sup>24</sup>

#### **Pump Shaft**

<b>2002-1990</b>		
Seal	.....	480821

#### **Worm Shaft**

<b>1991-1990</b>		
Seal	.....	222025

Mfg./Year    Model & Location    Part No    Mfg./Year    Model & Location    Part No

**CHEVROLET/GMC TRUCK - 3/4 TON - C-20/25, K-20/25, Silverado/Sierra, Suburban, Silverado 2500 HD, Yukon XL 2500 (cont.)**

**CRANKSHAFT FRONT SEAL**

**6 Cylinder**

<b>1995-1990</b>	
Seal .....	9845
Kwik Slv (Opt Rpr) .....	KWK99176
Harmonic Balancer Slv	
Opt .....	88176

**8 Cylinder**

<b>2004-2001</b>	402/6.6L (Diesel)
Seal .....	3945
Kwik Slv (Opt Rpr) .....	KWK99233
Harmonic Balancer Slv .....	88233
<b>2000-1990</b>	454 & Diesel
Seal .....	3945
Kwik Slv (Opt Rpr) .....	KWK99233
<b>2000-1990</b>	(w/o 454 & Diesel )
Seal .....	9845
Kwik Slv (Opt Rpr) .....	KWK99176

**CRANKSHAFT REAR SEAL**

**6 Cylinder**

<b>1995-1990</b>	
Seal Viton .....	4359V
Seal PTFE H/D Opt .....	5274
Kwik Slv (Opt Rpr) .....	KWK99364

**CRANKSHAFT REAR SEAL**

**8 Cylinder**

<b>2004-2001</b>	402/6.6L (Diesel)
Seal Viton .....	710258
Kwik Slv (Opt Rpr) .....	KWK99452
<b>2004-1999</b>	293/4.8L, 325/5.3L, 364/6.0L
Seal .....	100085
<b>2000-1992</b>	379/6.2L (Diesel), 395/6.5L (Diesel)
Seal Viton .....	710258
Kwik Slv (Opt Rpr) .....	KWK99452
<b>2000-1991</b>	454/7.4L
Seal Viton .....	2261
Kwik Slv (Opt Rpr) .....	KWK99435
<b>2000-1990</b>	305/5.0L, 350/5.7L
Seal Viton .....	4359V
Seal PTFE H/D Opt .....	5274
Kwik Slv (Opt Rpr) .....	KWK99364
<b>1991-1990</b>	379/6.2L (Diesel)
Seal .....	5163
<b>1990</b>	454/7.4L
Seal .....	5072

**CHEVROLET/GMC TRUCK - 3/4 TON - G20/G25, Express/Savana**

**FRONT WHEEL**

<b>2006-2003</b>	(7300 lb. GVWR)
Hub Assembly .....	SP550305[2] <sup>74</sup>
<b>2006-2003</b>	(8500 GVWR)(8600 GVWR)
Hub Assembly .....	HA590352[2]
<b>2002-1992</b>	(7700 & 8600 GVWR)
Seal (Inner) .....	4740[2]
Set (Inner) .....	SET45[2]
Cone/Cup (Outer) .....	15103S-15243[2]
<b>2002-1991</b>	(7300 lb. GVWR)
Seal (Inner) .....	4739[2]
Set (Inner) .....	SET5[2]
Set (Outer) .....	SET3[2]
<b>1991-1990</b>	(JD5 H.D.Brks.)
Seal (Inner) .....	8974S[2]
Set (Inner) .....	SET45[2]
Cone/Cup (Outer) .....	1779-1729[2]
<b>1990</b>	(JB5 L/D Brks.)
Seal (Inner) .....	8871[2]
Set (Inner) .....	SET5[2]
Set (Outer) .....	SET3[2]

**4WD/AWD**

<b>2006-2003</b>	
Hub Assembly .....	SP550304[2] <sup>74</sup>

**REAR WHEEL**

<b>2002-1990</b>	(9.5" R.G.)
Seal .....	710105[2]
Cylindrical Bearing .....	R1561TV[2]
Kit .....	TGM1561R[2] <sup>19</sup>
<b>2002-1990</b>	(10.5" R.G.)
Seal (Inner) .....	2081[2]
Cone/Cup (Inner) .....	387AS-382A[2]
Set (Outer) .....	SET38[2]
<b>1995-1990</b>	(8.5" R.G.)
Seal .....	8835S[2]
Cylindrical Bearing .....	6408[2]
Kit .....	TRP1559TV[2] <sup>19</sup>

**4WD FRONT AXLE**

**Differential**

<b>2004-2003</b>	
Set .....	SET11[2]

**Pinion**

<b>2004-2003</b>	
Cone/Cup (Inner) .....	M88048-M88010
Cone/Cup (Outer) .....	M86649-M86610

<sup>19</sup>Opt. Axle Rpr Brg. Replaces O.E. Brg & Seal

<sup>74</sup>6 Lug.

# Bearings and Seals

Mfg./Year    Model & Location    Part No    Mfg./Year    Model & Location    Part No

## **CHEVROLET/GMC TRUCK - 3/4 TON - G20/G25, Express/Savana (cont.)**

### **REAR AXLE**

#### **Differential Rebuild Kit**

<b>2004-1997</b>	(8.5" R.G.)	
Kit	.....	DRK321C
<b>2002-1998</b>	(9.5" R.G.)	
Kit	.....	DRK324B
<b>2002-1990</b>	(10.5" R.G.)	
Kit	.....	DRK325B
<b>1997-1990</b>	(10.5" R.G.)(2nd design)	
Kit	.....	DRK325A
<b>1997-1990</b>	(9.5" R.G.)	
Kit	.....	DRK324
<b>1996-1990</b>	(8.5" R.G.)	
Kit	.....	DRK321

#### **Differential**

<b>2005-2003</b>	(10.5" R.G.)	
Cone/Cup	.....	469-453X[2]
<b>2005-1993</b>	(9.5" R.G.)	
Set	.....	SET42[2]
<b>2004-2001</b>	(8.625" R.G.)	
Set	.....	SET36[2]
<b>2002-1990</b>	(10.5" R.G.)	
Cone/Cup	.....	387AS-382A[2]
<b>2000</b>	(8.625" R.G.)(1st design)	
Cone/Cup	.....	LM501349-LM501314[2]
<b>2000</b>	(8.625" R.G.)(2nd design)	
Set	.....	SET36[2]
<b>1999-1997</b>	(8.5" R.G.)	
Cone/Cup	.....	LM501349-LM501314[2]
<b>1995-1990</b>	(8.125", 8.5" R.G.)	
Cone/Cup	.....	LM501349-LM501314[2]

#### **Pinion**

<b>2005-2003</b>	(9.75" R.G.)	
Cone/Cup (Inner)	.....	HM803146-HM803110
Cone/Cup (Outer)	.....	HM88542-HM88510
<b>2002-2000</b>	(10.5" R.G.)	
Cone/Cup (Inner)	.....	HM903249-HM903210
Seal (Outer)	.....	710508
Cone/Cup (Outer)	.....	NP457992-NP926068
Cylindrical Bearing Pilo	.....	R1581TV
<b>2002-1998</b>	(9.5" R.G.)	
Cone/Cup (Inner)	.....	HM804846-HM804810
Seal (Outer)	.....	710507
Cone/Cup (Outer)	.....	HM88649-HM88610
<b>2002-1997</b>	(8.5" R.G.)	
Cone/Cup (Inner)	.....	NP457992-NP926068
Cone/Cup (Outer)	.....	M88048-M88010
<b>1999-1990</b>	(10.5" R.G.)	
Cone/Cup (Inner)	.....	HM903249-HM903210
Seal (Outer)	.....	710508
Cone/Cup (Outer)	.....	M802048-M802011
Cylindrical Bearing Pilo	.....	R1581TV
<b>1997-1990</b>	(9.5" R.G.)	
Cone/Cup (Inner)	.....	HM804846-HM804810
Seal (Outer)	.....	3896
Cone/Cup (Outer)	.....	HM88649-HM88610

### **REAR AXLE (cont.)**

#### **Pinion (cont.)**

<b>1996-1990</b>	(8.5", 8.75 R.G.)	
Cone/Cup (Inner)	.....	M802048-M802011
Seal (Outer)	.....	2043
Cone/Cup (Outer)	.....	M88048-M88010
Cone/Cup (Outer) Opt	.....	M88048A-M88010

### **3-SPEED AUTOMATIC TRANSMISSION**

#### **Torque Converter**

<b>1995-1990</b>	(THM700)(4L60 E)	
Seal	.....	3227
Kwik Slv (Opt Rpr)	.....	KWK99174
<b>1992-1990</b>	(w/o THM700)	
Seal	.....	6712NA
Kwik Slv (Opt Rpr)	.....	KWK99187

#### **Rear Seal/Ext. Housing**

<b>1995-1990</b>	(w/o 4L80E, THM400, THM475)	
Seal	.....	9613S
Kwik Slv (Opt Rpr)	.....	KWK99149
Seal Kit	.....	5200 <sup>64</sup>

#### **Selector Shaft Seal/Man. Shaft**

<b>1990</b>		
Seal	.....	8792S

### **4-SPEED AUTOMATIC TRANSMISSION**

#### **Torque Converter**

<b>2002-1991</b>	(4L80E)	
Seal	.....	4598
Kwik Slv (Opt Rpr)	.....	KWK99199
<b>2002-1990</b>	(THM700)(4L60 E)	
Seal	.....	3227
Kwik Slv (Opt Rpr)	.....	KWK99174

#### **Rear Seal/Ext. Housing**

<b>2002-1991</b>	(4L80E)(booted)	
Seal	.....	4333N
<b>2002-1991</b>	(4L80E)(w/o boot)	
Seal	.....	9449
Seal Kit	.....	5208 <sup>64</sup>
<b>2002-1990</b>	(HM4L60)	
Seal	.....	9613S
Kwik Slv (Opt Rpr)	.....	KWK99149
Seal Kit	.....	5200 <sup>64</sup>

#### **Selector Shaft Seal/Man. Shaft**

<b>2002-1990</b>		
Seal	.....	8792S
Kwik Slv (Opt Rpr)	.....	KWK99050

Mfg./Year    Model & Location    Part No    Mfg./Year    Model & Location    Part No

---

**CHEVROLET/GMC TRUCK - 3/4 TON - G20/G25, Express/Savana (cont.)**

---

**CLUTCH**

**Pilot Bearing**

2000-1994 (Gas)	
Ball Bearing .....	57080
2000-1990 (Diesel)(TurboDiesel)	
Ball Bearing .....	57080
1993-1990 (Gas)	
Bushing H/D .....	PB656HD

**Release Bearing**

2002-1990 (Hyd. Mechanism)	
Bearing Assembly .....	614174

**4-SPEED MANUAL TRANSMISSION**

**Input Shaft**

1990 (New Process MY6)	
Seal .....	7412S
Kwik Slv (Opt Rpr) .....	KWK99125

**Rear Output Shaft**

1990 (New Process)	
Seal .....	9613S
Ball Bearing .....	308LOE
Kwik Slv (Opt Rpr) .....	KWK99149
Seal Kit .....	5200 <sup>64</sup>

**A/C COMPRESSOR**

2002-1990	
Ball Bearing .....	907257
Ball Bearing (Frt Head) .....	S128

**ALTERNATOR**

2002-1990 (Delco 100, 124, 140, 145 Amp.)	
Ball Bearing (Rear End) .....	100CCAB
1991-1990 (Delco 56, 66, 78 Amp.)	
Ball Bearing (Drive End) .....	203FF
1991-1990 (Delco 37, 42, 55, 56, 61, 63, 66, 78 Amp.)	
Ball Bearing (Rear End) .....	MNJ471S

**DRIVESHAFT SUPPORT**

1994-1990 (1.378" 35mm Brg. I.D.)	
Ball Bearing .....	88107
Hanger Brg Assy .....	HB88107A
1991-1990 (1.57" 40mm Brg. I.D.)	
Hanger Brg Assy .....	HB108

**POWER STEERING**

**Pitman Shaft**

2000-1990	
Seal Kit .....	PSK1 <sup>24</sup>
Seal (Inner) .....	471413
Seal (Outer) .....	7412S

**Pump Shaft**

2000-1990	
Seal .....	7013S
Ball Bearing .....	8537

**Worm Shaft**

1991-1990 Exc. P Ser.	
Seal .....	222025

**MANUAL STEERING**

**Pitman Shaft**

1990	
Seal .....	313842

**Worm Shaft**

1990	
Seal .....	7013S
Ball Bearing .....	8537

**CRANKSHAFT FRONT SEAL**

**6 Cylinder**

2002-1990	
Seal .....	9845
Kwik Slv (Opt Rpr) .....	KWK99176
Harmonic Balancer Slv	
Opt .....	88176

**8 Cylinder**

2004-1990 (w/o 454 & Diesel )	
Seal 61.37mm O.D. ....	9845
Kwik Slv (Opt Rpr) .....	KWK99176
Harmonic Balancer Slv	
Opt .....	88176
2002-1990 454 & (Diesel)	
Seal .....	3945
Kwik Slv (Opt Rpr) .....	KWK99233
Harmonic Balancer Slv	
Opt .....	88233

---

**CHEVROLET/GMC TRUCK - 1 TON - C-30/35, K-30/35, Silverado/Sierra**

---

**FRONT WHEEL**

**2WD**

2005-2001 New Style Silverado/Sierra	
Hub Assembly .....	SP580308[2] <sup>77</sup>

**FRONT WHEEL (cont.)**

**2WD (cont.)**

2002-1992 Old Style C/K Ser. (15000 lb. GVW)	
Seal (Inner) .....	5682[2]
Cone/Cup (Inner) .....	26884-26822[2]
Cone/Cup (Outer) .....	15103S-15243[2]

<sup>24</sup>Opt. Kit Incls. Seals 5683 & 5684. Not Sold Separately  
New # Check For Availability

<sup>64</sup>Opt. Seal & Bushing Kit

<sup>77</sup>8 Lug. **79**

# Bearings and Seals

Mfg./Year    Model & Location    Part No    Mfg./Year    Model & Location    Part No

## **CHEVROLET/GMC TRUCK - 1 TON - C-30/35, K-30/35, Silverado/Sierra** *(cont.)*

### **FRONT WHEEL (cont.)**

#### **2WD (cont.)**

<b>2002-1992</b>	Old Style C/K Ser.(w/o 15000 lb. GVW)	
Seal (Inner)	.....	4740[2]
Set (Inner)	.....	SET45[2]
Cone/Cup (Outer)	.....	15103S-15243[2]
<b>1991-1990</b>		
Seal (Inner)	.....	8974S[2]
Set (Inner)	.....	SET45[2]
Cone/Cup (Outer)	.....	15103S-15243[2]
<b>1990</b>	(Disc Brks.)	
Seal (Inner)	.....	8974S[2]
Set (Inner)	.....	SET45[2]
Cone/Cup (Outer)	.....	15103S-15243[2]

#### **4WD/AWD**

<b>2005-2004</b>	New Style Silverado/Sierra (SRW)(9900 GVWR)	
Hub Assembly	.....	SP580304[2] <sup>75</sup>
<b>2005-2001</b>	New Style Silverado/Sierra (DRW)	
Hub Assembly	.....	SP580309[2] <sup>77</sup>
<b>2000-1996</b>	(ABS)(SRW & DRW)	
Hub Assembly (RH)	.....	SP580302 <sup>87 75</sup>
Sensor Kit (RH) Opt	.....	SK580302 <sup>84</sup>
Hub Assembly (LH)	.....	SP580303 <sup>87 75</sup>
Sensor Kit (LH) Opt	.....	SK580303 <sup>84</sup>
<b>1995</b>	(ABS) Exc. dual rear whl.	
Hub Assembly (RH)	.....	SP580300 <sup>75</sup>
Sensor Kit (RH) Opt	.....	SK580300 <sup>84</sup>
Hub Assembly (LH)	.....	SP580301 <sup>75</sup>
Sensor Kit (LH) Opt	.....	SK580301 <sup>84</sup>
<b>1994-1990</b>	(w/o ABS) (DRW)	
Hub Assembly	.....	HA591339[2] <sup>77</sup>

### **REAR WHEEL**

<b>2005-2001</b>	(11.5" R.G.)	
Cone/Cup (Inner)	.....	NP706218-NP910345[2]
Cone/Cup (Outer)	.....	NP145100-NP913325[2]
<b>2002-1990</b>	(10.5" R.G.)	
Seal (Inner)	.....	2081[2]
Cone/Cup (Inner)	.....	387AS-382A[2]
Set (Outer)	.....	SET38[2]
<b>1991-1990</b>	(9.5" R.G.)	
Seal	.....	2081[2]
Cylindrical Bearing	.....	R1561TV[2]
Kit	.....	TGM1561R[2] <sup>19</sup>

### **FRONT AXLE**

#### **Differential Rebuild Kit**

<b>2004-1990</b>	(9.25" R.G.)	
Kit	.....	DRK324A

### **FRONT AXLE**

#### **Differential**

<b>2005-1990</b>	(9.25" R.G.)	
Seal	.....	450094[2]
Set	.....	SET42[2]
<b>1991-1990</b>	(Dana/Spicer 60 F axle)	
Cone/Cup	.....	387A-382S[2]

#### **Pinion**

<b>2005-1997</b>	(9.250" R.G.)(2nd design)	
Cone/Cup (Inner)	.....	HM804846-HM804810
Cone/Cup (Outer)	.....	HM88649-HM88610
<b>1997</b>	(9.250" R.G.)(1st design)	
Cone/Cup (Inner)	.....	HM804846-HM804810
Seal (Outer)	.....	710281
Cone/Cup (Outer)	.....	HM88649-HM88610
<b>1996-1990</b>		
Cone/Cup (Inner)	.....	HM804846-HM804810
Seal (Outer)	.....	710281
Cone/Cup (Outer)	.....	HM88649-HM88610
<b>1991-1990</b>	(Dana/Spicer 60 F axle)	
Cone/Cup (Inner)	.....	HM803146-HM803110
Seal (Outer)	.....	9316
Cone/Cup (Outer)	.....	HM88542-HM88510

#### **Spindle Kit**

<b>1991-1990</b>	(Dana/Spicer 60 F axle)	
Bearing & Seal Kit	.....	SBK3 <sup>35</sup>

#### **Spindle**

<b>1991-1990</b>	(Dana/Spicer 60 F axle)	
Seal (Inner)	.....	710044
Needle Bearing (Inner)	.....	B2414
Seal (Outer)	.....	710045

### **Steering Knuckle**

<b>1991-1990</b>	(Dana/Spicer 60 F axle)	
Seal (Upper)	.....	710304
Cone/Cup (Upper)	.....	23100-23256
Seal (Lower)	.....	710304
Cone/Cup (Lower)	.....	23100-23256

### **REAR AXLE**

#### **Differential Rebuild Kit**

<b>2003-2001</b>	(11.5" R.G.)	
Kit	.....	DRK327
<b>2003-1997</b>	(10.5" R.G.)	
Kit	.....	DRK325B
<b>2003-1997</b>	(9.5" R.G.)	
Kit	.....	DRK324B
<b>1996-1990</b>	(10.5" R.G.)(2nd design)(Prod. from mid 1988 on)	
Kit	.....	DRK325A
<b>1996-1990</b>	(9.5" R.G.)	
Kit	.....	DRK324
<b>1996-1990</b>	(Dana/Spicer 70 HD axle)	
Kit	.....	DRK332HD
<b>1991-1990</b>	(Dana/Spicer 60HD axle)	
Kit	.....	DRK331

Mfg./Year	Model & Location	Part No	Mfg./Year	Model & Location	Part No
<b>CHEVROLET/GMC TRUCK - 1 TON - C-30/35, K-30/35, Silverado/Sierra</b>					
<b>(cont.)</b>					

**REAR AXLE (cont.)**

**Differential Rebuild Kit (cont.)**

1990 (Dana/Spicer 70U axle)  
 Kit ..... DRK332U

**Differential**

2005-2001 (11.5" R.G.)  
 Cone/Cup ..... 3984-3920[2]  
 2005-1990 (10.5" R.G.)  
 Cone/Cup ..... 387AS-382A[2]  
 2000-1990 (11.5" R.G.)  
 Cone/Cup ..... 469-453X[2]  
 1999-1990 (9.5" R.G.)  
 Set ..... SET42[2]  
 1998-1990 (Dana/Spicer 80 axle)  
 Cone/Cup ..... 469-453X[2]  
 1997-1990 (Dana/Spicer 70HD, 70 3HD axle)  
 Cone/Cup ..... 469-453X[2]  
 1995-1990 Isuzu (R040 axle)  
 Cone/Cup ..... 29590-29522[2]  
 1991-1990 (Rockwell C100 axle)  
 Cone/Cup ..... 395-394A[2]  
 1990 (Dana/Spicer 60HD, 70B, 70U axle)  
 Cone/Cup ..... 387A-382S[2]

**Pinion**

2005-1997 (11.5" R.G.)  
 Cone/Cup (Inner) ..... HM807046-HM807010  
 Seal (Outer) ..... 710508  
 Cone/Cup (Outer) ..... M802048-M802011  
 2004-2003 (10.5" R.G.)  
 Cone/Cup (Inner) ..... HM903249-HM903210  
 Seal (Outer) ..... 710508  
 Cone/Cup (Outer) ..... NP544520-NP099285  
 Cylindrical Bearing Pilo ..... R1581TV  
 2004-2003 (10.5" R.G.)(HD)  
 Cone/Cup (Inner) ..... HM903249-HM903210  
 Seal (Outer) ..... 710508  
 Cone/Cup (Outer) ..... NP544520-NP099285  
 Cylindrical Bearing Pilo ..... R1581TV  
 2002-2000 (10.5" R.G.)  
 Cone/Cup (Inner) ..... HM903249-HM903210  
 Seal (Outer) ..... 710508  
 Cone/Cup (Outer) ..... NP457992-NP926068  
 Cylindrical Bearing Pilo ..... R1581TV  
 2002-2000 (10.5" R.G.)(HD)  
 Cone/Cup (Inner) ..... HM903249-HM903210  
 Seal (Outer) ..... 710508  
 Cone/Cup (Outer) ..... NP457992-NP926068  
 Cylindrical Bearing Pilo ..... R1581TV  
 1999-1998 (9.5" R.G.)  
 Cone/Cup (Inner) ..... HM804846-HM804810  
 Seal (Outer) ..... 710507  
 Cone/Cup (Outer) ..... HM88649-HM88610

**REAR AXLE (cont.)**

**Pinion (cont.)**

1999-1990 (10.5" R.G.)(2nd design)(Prod. from 1988 on)  
 Cone/Cup (Inner) ..... HM903249-HM903210  
 Seal (Outer) ..... 2286  
 Cone/Cup (Outer) ..... M802048-M802011  
 Cylindrical Bearing Pilo ..... R1581TV  
 1999-1990 Isuzu (R040 axle)  
 Bearing Assembly (Inne ..... 30309M  
 Seal (Outer) ..... 710268  
 Bearing Assembly (Outer) ..... 30309M  
 1998-1990 (Dana/Spicer 80 axle)  
 Cone/Cup (Inner) ..... HM807046-HM807010  
 Seal Viton (Outer) ..... 4525V  
 Cone/Cup (Outer) ..... M802048-M802011  
 1997-1990 (9.5" R.G.)  
 Cone/Cup (Inner) ..... HM804846-HM804810  
 Seal (Outer) ..... 3896  
 Cone/Cup (Outer) ..... HM88649-HM88610  
 1997-1990 (Dana/Spicer 70B, 70HD, 70 3HD axle)  
 Cone/Cup (Inner) ..... HM807040-HM807010  
 Seal (Outer) ..... 9316  
 Cone/Cup (Outer) ..... HM88542-HM88510  
 1994-1990 (Dana/Spicer 70U axle)  
 Cone/Cup (Inner) ..... HM803149-HM803110  
 Seal (Outer) ..... 9316  
 Cone/Cup (Outer) ..... HM88542-HM88510  
 1991-1990 (Rockwell C100 axle)  
 Cone/Cup (Inner) ..... M903345-M903310  
 Seal (Outer) ..... 475080N  
 Cone/Cup (Outer) ..... 44143-44348  
 1990 (Dana/Spicer 60HD axle)  
 Cone/Cup (Inner) ..... HM803146-HM803110  
 Seal (Outer) ..... 9316  
 Cone/Cup (Outer) ..... HM88542-HM88510

**TRANSFER CASE REBUILD KIT**

2002-1990 (Warner 4470)  
 Kit ..... TCRK4470  
 2002-1990 (Warner 1370)  
 Kit ..... TCRK1356  
 2002-1990 (Warner 4401)  
 Kit ..... TCRK4470  
 1990 (New Process 205)(T400)(late SM465)  
 Kit ..... TCRK205GDMD  
 1990 (New Process 205)(THM350)(early SM465)  
 Kit ..... TCRK205G



# Bearings and Seals

Mfg./Year    Model & Location    Part No    Mfg./Year    Model & Location    Part No

## **CHEVROLET/GMC TRUCK - 1 TON - C-30/35, K-30/35, Silverado/Sierra** *(cont.)*

### **TRANSFER CASE**

#### **Input Shaft**

<b>2002-1990</b> (Warner 1370, 4401, 4470)	
Seal .....	714503
Ball Bearing .....	110CB
Needle Bearing Pilot .....	BK3026
<b>1990</b> (New Process 205)(T400)(late SM465)	
Seal .....	3173[2]
Ball Bearing .....	1210L[2]
Kwik Slv (Opt Rpr) .....	KWK99193[2]
Seal Dual Lip Opt .....	710298[2]
Needle Bearing Pilot .....	QAR29523[15]

#### **Front Output Shaft**

<b>2002-1990</b> (Warner 1370, 4401, 4470)	
Seal .....	714503
Ball Bearing .....	207
Needle Bearing Pilot .....	B2012
<b>1990</b> (New Process 205)	
Seal .....	710005
Ball Bearing .....	307L
Kwik Slv (Opt Rpr) .....	KWK99174
Needle Bearing Pilot .....	M28161

#### **Rear Output Shaft**

<b>2002-1990</b> (Warner 4470)	
Seal .....	714503
Ball Bearing w/o Boot .....	208
<b>2002-1990</b> (Warner 4470)	
Seal Booted .....	4503N
Ball Bearing .....	208
<b>2002-1990</b> (Warner 1370, 4401)	
Seal w/o Boot .....	714503
Ball Bearing w/o Boot .....	207
<b>2002-1990</b> (Warner 1370, 4401)	
Seal Booted .....	4503N
Ball Bearing Booted .....	207
<b>1990</b> (New Process 205)	
Seal .....	473468
Ball Bearing .....	307L
Kwik Slv (Opt Rpr) .....	KWK99212
Needle Bearing Pilot .....	B3216

#### **Idler Shaft**

<b>1990</b> (New Process 205)	
Cone/Cup .....	2793-2720[2]

#### **Oil Pump Housing**

<b>2002-1990</b> (Warner 4470)	
Needle Bearing .....	B3012

#### **Selector Shaft Seal/Man. Shaft**

<b>2002-1990</b> (Warner 1370, 4401, 4470)	
Seal .....	330385
<b>1990</b> (New Process 205)	
Seal .....	2287
Kwik Slv (Opt Rpr) .....	KWK99076

### **TRANSMISSION REBUILD KIT**

<b>2002-1996</b> (New Venture 4500)	
Kit .....	TRK4500GMI
<b>1995-1991</b> (New Venture 4500)	
Kit .....	TRK4500GM

### **3-SPEED AUTOMATIC TRANSMISSION**

#### **Torque Converter**

<b>1990</b>	
Seal .....	6712NA
Kwik Slv (Opt Rpr) .....	KWK99187

#### **Selector Shaft Seal/Man. Shaft**

<b>1990</b>	
Seal .....	8792S

### **4-SPEED AUTOMATIC TRANSMISSION**

#### **Torque Converter**

<b>2002-1990</b> (THM700)(4L60 E)	
Seal .....	3227
Kwik Slv (Opt Rpr) .....	KWK99174
<b>2001-1991</b> (4L80E)	
Seal .....	4598
Kwik Slv (Opt Rpr) .....	KWK99199

#### **Rear Seal/Ext. Housing**

<b>2002-1990</b> (THM700)(4L60 E)	
Seal .....	9613S
Kwik Slv (Opt Rpr) .....	KWK99149
Seal Kit .....	5200 <sup>64</sup>
<b>2001-1991</b> (4L80E)(THMR2)(booted)	
Seal .....	4333N
<b>2001-1991</b> (4L80E)(THMR2)(w/o boot)	
Seal .....	9449
Seal Kit .....	5208 <sup>64</sup>

#### **Selector Shaft Seal/Man. Shaft**

<b>2002-1990</b>	
Seal .....	8792S

### **CLUTCH**

#### **Pilot Bearing**

<b>2001-1990</b>	
Ball Bearing .....	57080

### **CLUTCH - 8 CYLINDER**

#### **Release Bearing**

<b>2000-1996</b>	
Bearing Assembly .....	614174
<b>1995-1990</b> (w/o cable Cl.)	
Bearing Assembly .....	614109

Mfg./Year	Model & Location	Part No	Mfg./Year	Model & Location	Part No
<b>CHEVROLET/GMC TRUCK - 1 TON - C-30/35, K-30/35, Silverado/Sierra</b>					
<b>(cont.)</b>					

**4-SPEED MANUAL TRANSMISSION**

**Input Shaft**

<b>1991-1990</b>	(Muncie)(M20)(CH465)(2nd design)	
Seal .....		481181N
Ball Bearing .....		211FFLE
Kwik Slv (Opt Rpr) .....		KWK99162
<b>1990</b>	(Muncie M20, CH465)(1st design)	
Seal .....		481181N
Ball Bearing .....		N1211L
Kwik Slv (Opt Rpr) .....		KWK99162

**Rear Output Shaft**

<b>1991-1990</b>	(Muncie M20, CH465)	
Seal .....		410085
Ball Bearing .....		1308SL

**5-SPEED MANUAL TRANSMISSION**

**Front Input Shaft**

<b>2004-1999</b>	(New Process 4500)	
Seal .....		714655
Cone/Cup .....	M802048CP-NP728109	
Kwik Slv (Opt Rpr) .....		KWK99133
<b>1998-1991</b>	(New Process 4500)	
Seal .....		714655
Cone/Cup .....	M802048CP-M802011AP	
Kwik Slv (Opt Rpr) .....		KWK99133
<b>1993-1991</b>	(New Process 3500)	
Seal .....		4529N
Ball Bearing .....		307FFLS
Kwik Slv (Opt Rpr) .....		KWK99138

**Front Countershaft**

<b>2004-1991</b>	(New Process 4500)	
Cone/Cup .....	LM102949CP-LM102910P	

**Rear Countershaft**

<b>2004-1991</b>	(New Process 4500)	
Cone/Cup .....	LM501349HP-LM501310P	

**Rear Output Shaft**

<b>2005-1991</b>	(N. P. 4500 w/o 15,000 GVWR)	
Seal .....		714654
Cone/Cup .....	M804049-M804010	
<b>2001-1991</b>	(New Process 4500)(15,000 GVWR)	
Seal .....		415449
Cone/Cup .....	M804049-M804010	
<b>1993-1991</b>	(N.P.3500 # C320844)(4WD)	
Seal .....		4530
Ball Bearing .....		307FFTB
<b>1993-1991</b>	(N.P.3500 Exc. # C320844)(4WD)	
Seal .....		4528N
Ball Bearing .....		307FFTB

**5-SPEED MANUAL TRANSMISSION**

**(cont.)**

**Rear Output Shaft (cont.)**

<b>1993-1991</b>	(New Process 3500)(4WD)	
Seal .....		4532N
Ball Bearing .....		307FFTB

**DRIVESHAFT SUPPORT**

<b>1996-1990</b>	(Spicer 1280, 1310, 1330)(1.3780" Brg. I.D.)	
Ball Bearing .....		88107
Hanger Brg Assy .....		HB88107A

**POWER STEERING**

**Pitman Shaft**

<b>1991-1990</b>	Exc. C/K Ser.	
Seal (Inner) .....		471413
Seal (Outer) .....		7412S
Seal Kit .....		PSK1 <sup>24</sup>

**Pump Shaft**

<b>2001-1990</b>		
Seal .....		480821

**Worm Shaft**

<b>1991-1990</b>	Exc. P Ser.	
Seal .....		222025
Needle Bearing .....		SCE148

**CRANKSHAFT FRONT SEAL**

**8 Cylinder**

<b>2004-2001</b>	402/6.6L (Diesel)	
Seal .....		3945
Kwik Slv (Opt Rpr) .....		KWK99233
Harmonic Balancer Slv .....		88233
<b>2000-1990</b>	454 & (Diesel)	
Seal .....		3945
Kwik Slv (Opt Rpr) .....		KWK99233
Harmonic Balancer Slv .....		88233
Opt .....		88233
<b>2000-1990</b>	(w/o 454 & Diesel )	
Seal .....		9845
Kwik Slv (Opt Rpr) .....		KWK99176
Harmonic Balancer Slv .....		88176
Opt .....		88176

**CRANKSHAFT REAR SEAL**

**8 Cylinder**

<b>2004-2001</b>	402/6.6L (Diesel)	
Seal Viton .....		710258
Kwik Slv (Opt Rpr) .....		KWK99452
<b>2003-2001</b>	364/6.0L	
Seal .....		100085
<b>2000-1992</b>	(Diesel)	
Seal Viton .....		710258
Kwik Slv (Opt Rpr) .....		KWK99452

<sup>24</sup>Opt. Kit Incls. Seals 5683 & 5684. Not Sold Separately

# Bearings and Seals

Mfg./Year    Model & Location    Part No    Mfg./Year    Model & Location    Part No

## **CHEVROLET/GMC TRUCK - 1 TON - C-30/35, K-30/35, Silverado/Sierra** *(cont.)*

### **CRANKSHAFT REAR SEAL (cont.)**

#### **8 Cylinder (cont.)**

2000-1991	454/7.4L	
	Seal Viton .....	2261
	Kwik Slv (Opt Rpr) .....	KWK99435
2000-1990	(w/o 454 & Diesel )	
	Seal Viton .....	4359V
	Seal PTFE H/D Opt .....	5274
	Kwik Slv (Opt Rpr) .....	KWK99364
1991-1990	(Diesel)	
	Seal .....	5163

### **CRANKSHAFT REAR SEAL (cont.)**

#### **8 Cylinder (cont.)**

1990	454/7.4L	
	Seal .....	5072

## **CHEVROLET/GMC TRUCK - 1 TON - G30/G35, P30/P35, Express/Savana**

### **FRONT WHEEL**

#### **2WD**

2006-2003	Over 9600 GVWR	
	Hub Assembly .....	HA590352[2]
2006-2003	Under 9600 GVWR	
	Hub Assembly .....	HA590353[2]
2002-1992	G30/G35	
	Seal (Inner) .....	4740[2]
	Set (Inner) .....	SET45[2]
	Cone/Cup (Outer) .....	15103S-15243[2]
1999-1991	P Ser. (w/o I Beam Axle)	
	Seal (Inner) .....	4740[2]
	Set (Inner) .....	SET45[2]
	Cone/Cup (Outer) .....	15103S-15243[2]
1999-1990	P Ser. (I Beam Axle)	
	Seal (Inner) .....	5682[2]
	Cone/Cup (Inner) .....	26884-26823[2]
	Cone/Cup (Outer) .....	15103S-15243[2]
1991-1990	G30/G35 (Disc Brks.)	
	Seal (Inner) .....	8974S[2]
	Set (Inner) .....	SET45[2]
	Cone/Cup (Outer) .....	15103S-15243[2]
1990	P Ser. (w/o I Beam Axle)	
	Seal (Inner) .....	8974S[2]
	Set (Inner) .....	SET45[2]
	Cone/Cup (Outer) .....	15103S-15243[2]

### **REAR WHEEL**

2005-1992	G/P 30/3500 (10.5" R.G.)	
	Cone/Cup .....	387AS-382A[2]
	Set (Outer) .....	SET38[2]
1999-1997	P Ser. Motor Home	
	Seal (Inner) .....	6358[2]
	Cone/Cup (Inner) .....	39590-39520[2]
	Cone/Cup (Outer) .....	JLM506849-JLM506810[2]
1999-1990	P Ser. (10.5" R.G.)(Exc. Motor Home)	
	Seal (Inner) .....	2081[2]
	Cone/Cup (Inner) .....	387AS-382A[2]
	Set .....	SET38[2]

### **REAR WHEEL (cont.)**

1996-1990	P Ser. Motor Home	
	Seal (Inner) .....	6358[2]
	Cone/Cup (Inner) .....	395CS-394CS[2]
	Cone/Cup (Outer) .....	387A-382A[2]
1991-1990	G/P 30/3500 (9.5" R.G.)	
	Seal (Inner) .....	3747[2]
	Cylindrical Bearing (Inner) .....	R1561TV[2]
	Kit .....	TGM1561R[2] <sup>19</sup>
1991-1990	G30/3500 (10.5" R.G.)	
	Seal (Inner) .....	2081[2]
	Cone/Cup (Inner) .....	387AS-382A[2]
	Set (Outer) .....	SET38[2]

### **4WD FRONT AXLE**

#### **Pinion**

2004-2003		
	Cone/Cup (Inner) .....	M88048-M88010
	Cone/Cup (Outer) .....	M86649-M86610

### **REAR AXLE**

#### **Differential Rebuild Kit**

2002-1998	(10.5" R.G.)	
	Kit .....	DRK325B
1997-1990	(10.5" R.G.)	
	Kit .....	DRK325A

#### **Differential**

2005-2003	(10.5" R.G.)	
	Cone/Cup .....	469-453X[2]
2002-1992	(10.5" R.G.)	
	Cone/Cup .....	387AS-382A[2]
1996-1990	(9.5" R.G.)	
	Set .....	SET42[2]
1991-1990	(10.5" R.G.)(DRW & 7.4L)	
	Cone/Cup .....	469-453X[2]
1990	(9.5", 9.75" R.G.)(10.5" )(5.7L or 6.2L)(DRW & Spicer)	
	Cone/Cup .....	387A-382S[2]

**CHEVROLET/GMC TRUCK - 1 TON - G30/G35, P30/P35, Express/Savana  
(cont.)**

**REAR AXLE**

**Pinion**

<b>2005-2003</b> (10.5" R.G.)	
Cone/Cup (Inner) .....	HM807040-HM807010
Cone/Cup (Outer) .....	HM88542-HM88510
<b>2002-1998</b> (10.5" R.G.)	
Cone/Cup (Inner) .....	HM903249-HM903210
Seal (Outer) .....	710505
Cone/Cup (Outer) .....	M802048-M802011
Cylindrical Bearing Pilo .....	R1581TV
<b>1997-1996</b> (10.5" R.G.)	
Cone/Cup (Inner) .....	HM903249-HM903210
Seal (Outer) .....	2286
Cone/Cup (Outer) .....	M802048-M802011
Cylindrical Bearing Pilo .....	R1581TV
<b>1995-1991</b> (10.5" R.G.)(w/o Dana axle)	
Cone/Cup (Inner) .....	HM903249-HM903210
Seal (Outer) .....	2286
Cone/Cup (Outer) .....	M802048-M802011
Cylindrical Bearing Pilo .....	R1581TV
<b>1995-1990</b> (9.5" R.G.)	
Cone/Cup (Inner) .....	HM804846-HM804810
Seal (Outer) .....	3896
Cone/Cup (Outer) .....	HM88649-HM88610
Kwik Slv (Opt Rpr) .....	KWK99193
<b>1991-1990</b> (10.5" Dana Rr. End)	
Seal (Outer) .....	9316
Cone/Cup (Outer) .....	HM88542-HM88510
Cone/Cup (Inner) .....	HM807040-HM807010
Cone/Cup Pilot .....	HM803149-HM803110
Kwik Slv (Opt Rpr) .....	KWK99187
<b>1991-1990</b> (9.75" R.G.)	
Cone/Cup (Inner) .....	HM803146-HM803110
Seal (Outer) .....	9316
Cone/Cup (Outer) .....	HM88542-HM88510
Kwik Slv (Opt Rpr) .....	KWK99187

**3-SPEED AUTOMATIC TRANSMISSION**

**Torque Converter**

<b>1995-1990</b> (THM700)(4L60 E)	
Seal .....	3227
Kwik Slv (Opt Rpr) .....	KWK99174
<b>1992-1990</b> (w/o THM700)	
Seal .....	6712NA
Kwik Slv (Opt Rpr) .....	KWK99187

**Rear Seal/Ext. Housing**

<b>1995-1990</b> (w/o 4L80E, THM400, THM475)	
Seal .....	9613S
Kwik Slv (Opt Rpr) .....	KWK99149
Seal Kit .....	5200 <sup>64</sup>

**3-SPEED AUTOMATIC TRANSMISSION**

**Selector Shaft Seal/Man. Shaft**

<b>1990</b>	
Seal .....	8792S

**4-SPEED AUTOMATIC TRANSMISSION**

**Torque Converter**

<b>2002-1990</b> (THM700)(4L60 E)	
Seal .....	3227
Kwik Slv (Opt Rpr) .....	KWK99174
<b>2001-1991</b> (4L80E)	
Seal .....	4598
Kwik Slv (Opt Rpr) .....	KWK99199

**Rear Seal/Ext. Housing**

<b>2001-1991</b> (4L80E)(booted)	
Seal .....	4333N
<b>2001-1991</b> (4L80E)(w/o boot)	
Seal .....	9449
Seal Kit .....	5208 <sup>64</sup>
<b>2001-1990</b> (HM4L60)	
Seal .....	9613S
Kwik Slv (Opt Rpr) .....	KWK99149
Seal Kit .....	5200 <sup>64</sup>

**Selector Shaft Seal/Man. Shaft**

<b>2001-1990</b>	
Seal .....	8792S
Kwik Slv (Opt Rpr) .....	KWK99050

**CLUTCH**

**Pilot Bearing**

<b>2002-2001</b> 364/6.0L, 496/8.1L	
Ball Bearing .....	203FF
<b>2002-1990</b> (w/o 364/ 6.0L, 496/ 8.1L)	
Ball Bearing .....	57080
<b>2002-1990</b> (Diesel)(TurboDiesel)	
Ball Bearing .....	57080

**Release Bearing**

<b>2000-1990</b> (Hyd. Mechanism)	
Bearing Assembly .....	614174

**4-SPEED MANUAL TRANSMISSION**

**Input Shaft**

<b>1990</b> (New Process MY6)	
Seal .....	7412S
Kwik Slv (Opt Rpr) .....	KWK99125

<sup>64</sup>Opt. Seal & Bushing Kit

# Bearings and Seals

Mfg./Year    Model & Location    Part No    Mfg./Year    Model & Location    Part No

## **CHEVROLET/GMC TRUCK - 1 TON - G30/G35, P30/P35, Express/Savana** *(cont.)*

### **4-SPEED MANUAL TRANSMISSION**

#### **Rear Output Shaft**

**1990** (New Process)  
Seal .....9613S  
Ball Bearing .....308LOE  
Kwik Slv (Opt Rpr) .....KWK99149  
Seal Kit .....5200<sup>64</sup>

### **DRIVESHAFT SUPPORT**

**1996-1992**  
Hanger Brg Assy .....HB88508A  
**1990**  
Ball Bearing .....88107  
Hanger Brg Assy .....HB88107A

### **POWER STEERING**

#### **Pitman Shaft**

**2000-1990**  
Seal Kit .....PSK1<sup>24</sup>  
Seal (Inner) .....471413  
Seal (Outer) .....7412S

#### **Pump Shaft**

**2000-1990**  
Seal .....7013S  
Ball Bearing .....8537

#### **Worm Shaft**

**1996-1990**  
Seal .....222025

### **MANUAL STEERING**

#### **Pitman Shaft**

**1990**  
Seal .....313842

### **Worm Shaft**

**1990**  
Seal .....7013S  
Ball Bearing .....8537

### **CRANKSHAFT FRONT SEAL**

#### **6 Cylinder**

**1999-1990**  
Seal .....9845  
Kwik Slv (Opt Rpr) .....KWK99176  
Harmonic Balancer Slv  
Opt .....88176

#### **8 Cylinder**

**2004-1990** (w/o 454 & Diesel )  
Seal 61.37mm O.D. ....9845  
Kwik Slv (Opt Rpr) .....KWK99176  
Harmonic Balancer Slv  
Opt .....88176  
**2002-1990** 454 & (Diesel)  
Seal .....3945  
Kwik Slv (Opt Rpr) .....KWK99233  
Harmonic Balancer Slv  
Opt .....88233

## **CHEVROLET/GMC TRUCK - 1-1/2, 2, 2-1/2 TON - 40, 50, 60, 70, 4100, 4400, 4500**

### **FRONT WHEEL**

**1998-1997** (12,000 lb. Axle W7R042HD)  
Seal Viton (Inner) .....370212A<sup>57</sup>  
Cone/Cup (Inner) .....JF7049A-JF7010[2]  
Cone/Cup (Outer) .....JM205149-JM205110[2]  
**1998-1997** (W6R042)  
Seal Viton (Inner) .....370199A<sup>57</sup>  
Cone/Cup (Inner) .....JM205149-JM205110[2]  
Bearing Assembly  
(Outer) .....32207M[2]  
**1998-1997** (W7R042M)  
Seal (Inner) .....370211A[2]<sup>57</sup>  
Bearing Assembly (Inne .....32208M[2]  
**1997-1993** (9,000 lb. Axle B7T042)  
Seal (Outer) .....370211A[2]<sup>57</sup>  
Bearing Assembly  
(Outer) .....33208[2]

### **FRONT WHEEL (cont.)**

**1997-1990** (11,000 lb. Axle C6H042, C7H042, C7H064, W7R042HD)  
Seal (Inner) .....370211A[2]<sup>57</sup>  
Bearing Assembly  
(Outer) .....33208[2]  
**1997-1990** (14,500 lb. Axle)  
Seal Viton (Inner) .....370212A<sup>57</sup>  
Cone/Cup (Inner) .....JF7049A-JF7010[2]  
Cone/Cup (Outer) .....JM205149A-JM205110[2]

Mfg./Year	Model & Location	Part No	Mfg./Year	Model & Location	Part No
<b>CHEVROLET/GMC TRUCK - 1-1/2, 2, 2-1/2 TON - 40, 50, 60, 70, 4100, 4400, 4500 (cont.)</b>					

**FRONT WHEEL (cont.)**

<b>1997-1990</b>	(16,000 lb. Axle C6H042, C7H042, C7H064)	
Seal (Inner)	.....	370182A[2] <sup>57</sup>
Cone/Cup (Inner)	.....	6461A-6420[2]
Cone/Cup (Outer)	.....	557S-552A[2]
<b>1997-1990</b>	(8,000 lb. Axle B7T042, C5H042, C6H042, C7H042, C7H064, P6S042)	
Seal Viton (Inner)	.....	370199A <sup>57</sup>
Cone/Cup (Inner)	.....	JM205149A-JM205110[2]
Bearing Assembly (Outer)	.....	32207M[2]
<b>1997-1990</b>	(W5S042)	
Seal (Inner)	.....	710087[2]
Bearing Assembly (Inner)	.....	513046[2]
Bearing Assembly (Outer)	.....	513045[2]
<b>1996-1992</b>	(12,000 lb. Axle C6H042, C7H042, C7H064)	
Seal (Inner)	.....	370211A[2] <sup>57</sup>
Cone/Cup (Inner)	.....	JF7049A-JF7010[2]
Bearing Assembly (Outer)	.....	33208[2]
<b>1996-1990</b>	(W7R042M Air Brks. Z06 Axle)	
Seal (Inner)	.....	710084[2]
Cone/Cup (Inner)	.....	H414245A-H414210[2]
Bearing Assembly (Outer)	.....	513047[2]
<b>1996-1990</b>	(H/D W7R042)	
Seal (Inner)	.....	710084[2]
Cone/Cup (Inner)	.....	H414245A-H414210[2]
Bearing Assembly (Outer)	.....	513047[2]
<b>1996-1990</b>	(W7R042M Hyd.Brks. Z05 Axle)	
Seal (Inner)	.....	710088[2]
Cone/Cup (Inner)	.....	HM212047-HM212011[2]
Cone/Cup (Outer)	.....	4388-4335[2]
<b>1994-1990</b>	(W7R042T)	
Seal (Inner)	.....	710088[2]
Cone/Cup (Inner)	.....	H414245A-H414210[2]
Bearing Assembly (Outer)	.....	513047[2]
<b>1991</b>	(12,000 lb. Axle Early C6H042, C7H042, C7H064)	
Seal (Inner)	.....	370211A[2] <sup>57</sup>
Cone/Cup (Inner)	.....	JF7049A-JF7010[2]
Bearing Assembly (Outer)	.....	33208[2]
<b>1991</b>	(12,000 lb. Axle Late C6H042, C7H042, C7H064)	
Seal Viton (Inner)	.....	370212A <sup>57</sup>
Cone/Cup (Inner)	.....	JF7049A-JF7010[2]
Bearing Assembly (Outer)	.....	33208[2]

**FRONT WHEEL (cont.)**

<b>1991-1990</b>	(9,000 lb. Axle B6P042, C6D042)	
Seal (Inner)	.....	370011A[2] <sup>57</sup>
Cone/Cup (Inner)	.....	HM212047-HM212011[2]
Cone/Cup (Outer)	.....	45282-45220[2]
<b>1991-1990</b>	(9,000 lb. Axle C7D064)	
Seal (Inner)	.....	370018A[2] <sup>57</sup>
Cone/Cup (Inner)	.....	39581-39520[2]
Cone/Cup (Outer)	.....	26878-26820[2]
<b>1991-1990</b>	(7,000 lb. Axle F070, B6P042, C5D042, C6D042, C7D042, C7D064, P4T042, P6T042)	
Seal (Inner)	.....	8976S[2]
Cone/Cup (Inner)	.....	45284-45220[2]
Seal (Outer)	.....	370145A[2] <sup>57</sup>
Cone/Cup (Outer)	.....	2796-2720[2]
<b>1990</b>	(14,000 lb. Axle C6H042, C7H042, C7H064)	
Seal Viton (Inner)	.....	370212A <sup>57</sup>
Cone/Cup (Inner)	.....	JF7049A-JF7010[2]
Cone/Cup (Outer)	.....	JM205149A-JM205110[2]
<b>1990</b>	(12,000 lb. Axle B6P042, C6D042, P6T042, S7T042)	
Seal (Inner)	.....	370011A[2] <sup>57</sup>
Cone/Cup (Inner)	.....	HM212047-HM212011[2]
Cone/Cup (Outer)	.....	45282-45220[2]
<b>1990</b>	(5,000 lb. Axle F050, C5D042, C6D042, C7D042, P4T042)	
Seal (Inner)	.....	8975S[2]
Cone/Cup (Inner)	.....	3578A-3525[2]
Cone/Cup (Outer)	.....	15103S-15243[2]
<b>1990</b>	(5,500 lb. Axle F055, C5D042, C6D042, C7D042, P4T042)	
Seal (Inner)	.....	8975S[2]
Cone/Cup (Inner)	.....	3578A-3525[2]
Cone/Cup (Outer)	.....	15103S-15243[2]

**REAR WHEEL**

<b>1998-1997</b>	(Spicer S150S)(W6R042)	
Seal (Inner)	.....	370008A[2] <sup>57</sup>
Cone/Cup (Inner)	.....	HM212047-HM212011[2]
Cone/Cup (Outer)	.....	45282-45220[2]
<b>1998-1990</b>	W5S042	
Seal (Inner)	.....	710085[2]
Bearing Assembly (Inner)	.....	32215[2]
Seal (Outer)	.....	710086[2]
Bearing Assembly (Outer)	.....	32213M[2]
<b>1997-1990</b>	(Eaton 21065, 22065, 23070, 23085, 23105, 26085 Axle)(B7T042, C6H042, C7H042)	
Seal (Inner)	.....	370003A[2] <sup>57</sup>
Cone/Cup (Inner)	.....	594A-592A[2]
Cone/Cup (Outer)	.....	580-572[2]

<sup>57</sup>Oil Bath Seal

# Bearings and Seals

Mfg./Year	Model & Location	Part No	Mfg./Year	Model & Location	Part No
<b>CHEVROLET/GMC TRUCK - 1-1/2, 2, 2-1/2 TON - 40, 50, 60, 70, 4100, 4400, 4500 (cont.)</b>					

## REAR WHEEL (cont.)

<b>1997-1990</b>	(Eaton 23105 Axle)(C5H042)	
Seal (Inner)	.....	370023A[2] <sup>57</sup>
Cone/Cup (Inner)	.....	594A-592A[2]
Cone/Cup (Outer)	.....	47686-47620[2]
<b>1997-1990</b>	(Eaton DS341, DT341, DS402 Axle)(C7H064)	
Seal (Inner)	.....	370023A[2] <sup>57</sup>
Cone/Cup (Inner)	.....	594A-592A[2]
Cone/Cup (Outer)	.....	47686-47620[2]
<b>1997-1990</b>	(Rockwell 23160 Axle)(C6H042, C7H042)	
Seal (Inner)	.....	370003A[2] <sup>57</sup>
Cone/Cup (Inner)	.....	594A-592A[2]
Cone/Cup (Outer)	.....	580-572[2]
<b>1997-1990</b>	(Rockwell SL100, SQ100P Axle)(C7H064)	
Seal (Inner)	.....	370023A[2] <sup>57</sup>
Cone/Cup (Inner)	.....	594-592A[2]
Cone/Cup (Outer)	.....	47686-47620[2]
<b>1997-1990</b>	(Eaton 15040 Axle)(B7T042, C6H042, C7H042, P4T042, P6S042)	
Seal (Inner)	.....	370008A[2] <sup>57</sup>
Cone/Cup (Inner)	.....	33287-33462[2]
Cone/Cup (Outer)	.....	3982-3920[2]
<b>1997-1990</b>	(Eaton 15040 Axle)(C5D042, C5H042, P4T042)	
Seal (Inner)	.....	370008A[2] <sup>57</sup>
Cone/Cup (Inner)	.....	33287-33462[2]
Cone/Cup (Outer)	.....	3982-3920[2]
<b>1996-1991</b>	(Eaton 19050 B7T042, P6S042)	
Seal (Inner)	.....	370024A[2] <sup>57</sup>
Cone/Cup (Inner)	.....	47686-47620[2]
Cone/Cup (Outer)	.....	39590-39520[2]
<b>1996-1990</b>	(W6R042)	
Seal (Inner)	.....	710085[2]
Bearing Assembly (Inner)	.....	32215[2]
Seal (Outer)	.....	710086[2]
Bearing Assembly (Outer)	.....	32213M[2]
<b>1996-1990</b>	(Eaton 19050, 19055 Axle)(C5D042, C6H042, C7H042)	
Seal (Inner)	.....	370023A[2] <sup>57</sup>
Cone/Cup (Inner)	.....	47686-47620[2]
Cone/Cup (Outer)	.....	39590-39520[2]
<b>1994-1990</b>	(W7R042HD, W7R042T)	
Seal (Inner)	.....	710089[2]
Bearing Assembly (Inner)	.....	32219M[2]
Seal (Outer)	.....	710090[2]
Bearing Assembly (Outer)	.....	32218M[2]
<b>1994-1990</b>	(W7R042M)	
Seal (Inner)	.....	710278[2]
Bearing Assembly (Inner)	.....	32216[2]
Seal (Outer)	.....	710277[2]
Bearing Assembly (Outer)	.....	32215[2]

## REAR WHEEL (cont.)

<b>1992-1990</b>	50, 60, 70 Ser. (17500 lb. H175, T175 Axle)(B6P042, C6D042, C7D042, C7D064, P6T04)	
Seal (Inner)	.....	370009A[2] <sup>57</sup>
Cone/Cup (Inner)	.....	495AX-493[2]
Seal (Outer)	.....	6864S[2]
Cone/Cup (Outer)	.....	39590-39520[2]
<b>1992-1990</b>	50, 60, 70 Ser. (19000 lb. Axle)	
Seal (Inner)	.....	370023A[2] <sup>57</sup>
Cone/Cup (Inner)	.....	594A-592A[2]
Cone/Cup (Outer)	.....	47686-47620[2]
<b>1991-1990</b>	40, 50, 60 Ser. (H110, 11000 lb. Axle)(B6P042, C6D042, P6T042)	
Seal (Inner)	.....	370046A[2] <sup>57</sup>
Cone/Cup (Inner)	.....	3984-3920[2]
Cone/Cup (Outer)	.....	28682-28622A[2]
<b>1991-1990</b>	40, 50, 60 Ser. (H135, 13500 lb. Axle)(B6P042, C6D042, P6T042)	
Seal (Inner)	.....	370046A[2] <sup>57</sup>
Cone/Cup (Inner)	.....	3984-3920[2]
Cone/Cup (Outer)	.....	28682-28622A[2]
<b>1991-1990</b>	(Eaton 17121, 17221 Axle)(B6P042, C6D042, P6T042)	
Seal (Inner)	.....	370023A[2] <sup>57</sup>
Cone/Cup (Inner)	.....	47686-47620[2]
Cone/Cup (Outer)	.....	39590-39520[2]
<b>1991-1990</b>	50, 60 Ser. (15000 lb. H150, T150 Axle)(B6P042, C6D042, P6T042)	
Seal (Inner)	.....	370009A[2] <sup>57</sup>
Cone/Cup (Inner)	.....	33287-33472[2]
Seal (Outer)	.....	6864S[2]
Cone/Cup (Outer)	.....	3982-3925[2]

## SINGLE REAR AXLE

### Differential Rebuild Kit

<b>1997-1990</b>	(Eaton 26085P, 26085T axle)	
Kit	.....	DRK72A
<b>1997-1990</b>	(Eaton 19050T, 19055D, 19055S, 19055T axle)	
Kit	.....	DRK23D
<b>1997-1990</b>	(Eaton 15040T axle)	
Kit	.....	DRK24
<b>1994-1990</b>	(Dana/Spicer M185T, M190T, M220T axle)	
Kit	.....	DRK214
<b>1991-1990</b>	(Eaton 17401 axle)	
Kit	.....	DRK23B
<b>1991-1990</b>	(Eaton 16121 axle)	
Kit	.....	DRK23B

Mfg./Year	Model & Location	Part No	Mfg./Year	Model & Location	Part No
<b>CHEVROLET/GMC TRUCK - 1-1/2, 2, 2-1/2 TON - 40, 50, 60, 70, 4100, 4400, 4500 (cont.)</b>					

**SINGLE REAR AXLE**

**Differential**

**1997-1990** (Eaton 15040T axle)  
 Cone/Cup (LH) ..... 498-493  
 Cone/Cup (RH) ..... 33275-33472

**1997-1990** (Eaton 26085P, 26085T axle)  
 Cone/Cup (LH) ..... 68450-68712  
 Cone/Cup (RH) ..... 42346-42584

**1997-1990** (Rockwell 23160 axle)  
 Bearing Assembly (LH) ..... 32021X  
 Bearing Assembly (RH) ..... 32021X

**1997-1990** (Eaton 19050T, 19055D, 19055S, 19055T axle)  
 Cone/Cup (LH) ..... 42381-42584  
 Cone/Cup (RH) ..... 495A-493

**1997-1990** (Eaton 15040S axle)  
 Cone/Cup (LH) ..... 3994-3920  
 Cone/Cup (RH) ..... 497-493

**1997-1990** (Eaton 21065S, 23070S, 23105S axle)  
 Cone/Cup (LH) ..... 598-592A  
 Cone/Cup (RH) ..... 497-493

**1997-1990** (Eaton 21065T axle)  
 Cone/Cup (LH) ..... 56425-56650  
 Cone/Cup (RH) ..... 497-493

**1997-1990** (Eaton 23070P, 23070T axle)  
 Cone/Cup (LH) ..... 56425-56650  
 Cone/Cup (RH) ..... 497-493

**1997-1990** (Eaton 17201, 17221, 17421, 18221, 22221 axle)  
 Cone/Cup (LH) ..... 56425-56650  
 Cone/Cup (RH) ..... 497-493

**1995-1990** Isuzu (R065 axle)  
 Cone/Cup (LH) ..... 3984-3920  
 Cone/Cup (RH) ..... 3984-3920

**1995-1990** Isuzu (R077 axle)  
 Bearing Assembly (LH) ..... 30214  
 Bearing Assembly (RH) ..... 30214

**1994-1990** Isuzu (R094 axle)  
 Bearing Assembly (LH) ..... 32216  
 Bearing Assembly (RH) ..... 32216

**1994-1990** (Dana/Spicer M185T, M190S, M190T, M220T axle)  
 Cone/Cup (LH) ..... JM822049-JM822010  
 Cone/Cup (RH) ..... JM716649-JM716610

**1991-1990** (Eaton 17401 axle)  
 Cone/Cup (LH) ..... 567-563  
 Cone/Cup (RH) ..... 3994-3920

**1991-1990** (Eaton 16121 axle)  
 Cone/Cup (LH) ..... 567-563  
 Cone/Cup (RH) ..... 3994-3920

**SINGLE REAR AXLE**

**Pinion**

**1997-1990** (Eaton 23070P, 23070T axle)  
 Cone/Cup (Inner) ..... 78215C-78551  
 Seal (Outer) ..... 712937  
 Cone/Cup (Outer) ..... 72212C-72487  
 Cylindrical Bearing Pilo ..... MUB5207UM

**1997-1990** (Eaton 26085P, 26085T axle)  
 Cone/Cup (Inner) ..... 78215C-78551  
 Seal (Outer) ..... 712937  
 Cone/Cup (Outer) ..... 72212C-72487  
 Cylindrical Bearing Pilo ..... MUS1308UM

**1997-1990** (Rockwell 23160 axle)  
 Cone/Cup (Inner) ..... 9278-9220  
 Seal (Outer) ..... 417987N  
 Cone/Cup (Outer) ..... HM813843-HM813810

**1997-1990** (Eaton 19050S axle)  
 Cone/Cup (Inner) ..... 72200C-72487  
 Seal (Outer) ..... 9773R  
 Cone/Cup (Outer) ..... HM903249-HM903210  
 Cylindrical Bearing Pilo ..... RUB1570UM

**1997-1990** (Eaton 19050T, 19055D, 19055S, 19055T axle 2.375" shaft)  
 Cone/Cup (Inner) ..... 55175C-55437  
 Seal (Outer) ..... 9773R  
 Cone/Cup (Outer) ..... 55175C-55437  
 Cylindrical Bearing Pilo ..... MUS1307UM

**1997-1990** (Eaton 15040S axle)  
 Cone/Cup (Inner) ..... 55175C-55437  
 Seal (Outer) ..... 9773R  
 Cone/Cup (Outer) ..... HM903249-HM903210  
 Cylindrical Bearing Pilo ..... MUB1305UDM

**1997-1990** (Eaton 15040T axle)  
 Cone/Cup (Inner) ..... HM903249-HM903210  
 Seal Kit (Outer) ..... 722250S  
 Cone/Cup (Outer) ..... HM903249-HM903210  
 Cylindrical Bearing Pilo ..... MU1305TDM

**1997-1990** (Eaton 21065S axle)  
 Cone/Cup (Inner) ..... 78215C-78551  
 Seal (Outer) ..... 9773R  
 Cone/Cup (Outer) ..... 55200C-55437  
 Cylindrical Bearing Pilo ..... MUS1308UM

**1997-1990** (Eaton 21065T axle)  
 Cone/Cup (Inner) ..... 72200C-72487  
 Seal (Outer) ..... 9773R  
 Cone/Cup (Outer) ..... 55200C-55437  
 Cylindrical Bearing Pilo ..... MUS1307UM

**1997-1990** (Eaton 23070S, 23105S axle)  
 Cone/Cup (Inner) ..... H913842-H913810  
 Seal (Outer) ..... 712937  
 Cone/Cup (Outer) ..... 72212C-72487  
 Cylindrical Bearing Pilo ..... MUS1308UM

**1995-1990** Isuzu (R065, R077 axle)  
 Bearing Assembly (Inne) ..... 30310  
 Seal (Outer) ..... 710276  
 Bearing Assembly (Outer) ..... 30309M



# Bearings and Seals

Mfg./Year	Model & Location	Part No	Mfg./Year	Model & Location	Part No
<b>CHEVROLET/GMC TRUCK - 1-1/2, 2, 2-1/2 TON - 40, 50, 60, 70, 4100, 4400, 4500 (cont.)</b>					

## SINGLE REAR AXLE (cont.)

### Pinion (cont.)

<b>1994-1990</b>	(Eaton 1504T axle)	
	Cone/Cup (Inner) .....	HM903249-HM903210
	Cone/Cup (Outer) .....	HM903249-HM903210
<b>1994-1990</b>	Isuzu (R094 axle)	
	Bearing Assembly (Inne .....	30310
	Seal (Outer) .....	710275
	Bearing Assembly (Outer) .....	30311
<b>1994-1990</b>	Isuzu (R105 axle)	
	Bearing Assembly (Inne .....	30312
	Seal (Outer) .....	710275
	Cone/Cup (Outer) .....	580-572
<b>1994-1990</b>	(Dana/Spicer M185T, M190S, M190T, M220T axle)	
	Cone/Cup (Inner) .....	72225C-72487
	Seal (Outer) .....	477163N
	Cone/Cup (Outer) .....	55200C-55437
	Cylindrical Bearing Pilo .....	MUS1308UM
<b>1994-1990</b>	(15,000 lb. 1 Spd. axle)	
	Cone/Cup (Inner) .....	HM803149-HM803110
	Cone/Cup (Outer) .....	HM803149-HM803110
<b>1994-1990</b>	(15,000 lb. 2 Spd. axle)	
	Cone/Cup (Inner) .....	HM903249-HM903210
	Cone/Cup (Outer) .....	HM903249-HM903210
<b>1992-1990</b>	(11,000 lb. axle)	
	Cone/Cup (Inner) .....	M903345-M903310
	Cone/Cup (Outer) .....	44143-44348
<b>1992-1990</b>	(13,500 lb. axle)	
	Cone/Cup (Inner) .....	HM803146-HM803110
	Cone/Cup (Outer) .....	44143-44348
<b>1992-1990</b>	(17,000 lb. 1 Spd. axle)	
	Cone/Cup (Inner) .....	55200C-55437
	Cone/Cup (Outer) .....	HM804846-HM804810
<b>1992-1990</b>	(17,000 lb. 2 Spd. axle)	
	Cone/Cup (Inner) .....	55175C-55437
	Cone/Cup (Outer) .....	55175C-55437
<b>1992-1990</b>	(Eaton 34RT axle)	
	Cone/Cup (Inner) .....	55200C-55437
	Cone/Cup (Outer) .....	55200C-55437
<b>1992-1990</b>	(R S SLHR axle)	
	Cone/Cup (Inner) .....	72200C-72487
	Cone/Cup (Outer) .....	72188C-72487
<b>1991-1990</b>	(Eaton 16121, 17401 axle 2.375" shaft)	
	Cone/Cup (Inner) .....	HM903249-HM903210
	Seal (Outer) .....	712375
	Cone/Cup (Outer) .....	HM903249-HM903210
	Cylindrical Bearing Pilo .....	MUS1307UM
<b>1991-1990</b>	(Eaton 16121, 17401 axle 2.625" shaft)	
	Cone/Cup (Inner) .....	HM903249-HM903210
	Seal (Outer) .....	712625
	Cone/Cup (Outer) .....	HM903249-HM903210
	Cylindrical Bearing Pilo .....	MUS1307UM
<b>1991-1990</b>	379/6.2L (Diesel)	
	Seal .....	5163
<b>1991-1990</b>	454/7.4L	
	Seal .....	5072

## TANDEM REAR AXLE - FRONTMOST AXL

### Differential Rebuild Kit

<b>1997-1990</b>	(Eaton DS341 axle)	
	Kit .....	DRK196
<b>1997-1990</b>	(Eaton DT341, DT381, DS402, DT402 axle)	
	Kit .....	DRK207

### Differential

<b>1997-1990</b>	(Rockwell SL100P, SQ100P axle)	
	Cone/Cup (LH) .....	JM716649-JM716610
	Cone/Cup (RH) .....	JM716649-JM716610
<b>1997-1990</b>	(Eaton DS341 axle)	
	Cone/Cup (LH) .....	497-493
	Cone/Cup (RH) .....	567-563
<b>1997-1990</b>	(Eaton DT341, DT381, DS402, DT402 axle)	
	Cone/Cup (LH) .....	497-493
	Cone/Cup (RH) .....	56425-56650

### Pinion

<b>1997-1990</b>	(Rockwell SL100P, SQ100P axle)	
	Cone/Cup (Inner) .....	72212C-72487
	Cone/Cup (Outer) .....	72212C-72487
	Cylindrical Bearing Pilo .....	RU1570UM
<b>1997-1990</b>	(Eaton DS341 axle)	
	Cone/Cup (Inner) .....	55200C-55437
	Seal (Outer) .....	9773R
	Cone/Cup (Outer) .....	55200C-55437
	Cylindrical Bearing Pilo .....	MUS1307UM
<b>1997-1990</b>	(Eaton DT341, DT381, DS402, DT402 axle)	
	Cone/Cup (Inner) .....	72218C-72487
	Cone/Cup (Outer) .....	HM807049-HM807010
	Cylindrical Bearing Pilo .....	MUS1307UM

### Through Shaft - Input Shaft

<b>1997-1990</b>	(Eaton DS341, DT341, DT381, DS402, DT402 axle)	
	Seal .....	475012N
	Cone/Cup .....	3979-JM511910

### Through Shaft - Output Shaft

<b>1997-1990</b>	(Eaton DS341, DT341, DT381, DS402, DT402 axle)	
	Cone/Cup (Inner) .....	29675-29620
	Seal (Outer) .....	475003N
	Ball Bearing (Outer) .....	MA1209EL

## TANDEM REAR AXLE - REARMOST AXLE

### Differential Rebuild Kit

<b>1997-1990</b>	(Eaton DT341, DS402, DT402 axle)	
	Kit .....	DRK207
<b>1997-1990</b>	(Eaton DS341 axle)	
	Kit .....	DRK196

Mfg./Year    Model & Location    Part No    Mfg./Year    Model & Location    Part No

---

**CHEVROLET/GMC TRUCK - 1-1/2, 2, 2-1/2 TON - 40, 50, 60, 70, 4100, 4400, 4500 (cont.)**

---

**TANDEM REAR AXLE - REARMOST AXLE**

**Differential**

<b>1997-1990</b>	(Rockwell SL100P, SQ100P axle)	
	Cone/Cup (LH) .....	JM716649-JM716610
	Cone/Cup (RH) .....	JM716649-JM716610
<b>1997-1990</b>	(Eaton DT341, DS402, DT402 axle)	
	Cone/Cup (LH) .....	497-493
	Cone/Cup (RH) .....	56425-56650
<b>1997-1990</b>	(Eaton DS341 axle)	
	Cone/Cup (LH) .....	497-493
	Cone/Cup (RH) .....	567-563

**Pinion**

<b>1997-1990</b>	(Rockwell SL100P, SQ100P axle)	
	Cone/Cup (Inner) .....	72212C-72487
	Seal (Outer) .....	3905
	Cone/Cup (Outer) .....	72212C-72487
	Cylindrical Bearing Pilo .....	RU1570UM
<b>1997-1990</b>	(Eaton DT341, DS402, DT402 axle)	
	Cone/Cup (Inner) .....	72218C-72487
	Cone/Cup (Outer) .....	HM807049-HM807010
	Cylindrical Bearing (Pilo .....	MUS1307UM
<b>1997-1990</b>	(Eaton DS341 axle)	
	Cone/Cup (Inner) .....	55200C-55437
	Seal (Outer) .....	9773R
	Cone/Cup (Outer) .....	55200C-55437
	Cylindrical Bearing Pilo .....	MUS1307UM

**CLUTCH**

**Pilot Bearing**

<b>1997-1990</b>	403 (6.6)(3208 Caterpillar Diesel )	
	Ball Bearing .....	305DD
<b>1994-1990</b>	5.8, 6.1, 6.5, 8.4 (Diesel )	
	Ball Bearing .....	205FF
<b>1991-1990</b>	350, 366, 427 (Gas)	
	Ball Bearing .....	205FF
<b>1991-1990</b>	4 53, 8.2 L (Detroit Diesel)	
	Ball Bearing .....	205FF

**Release Bearing**

<b>1997-1995</b>	7.1 (Turbo Diesel)(335mm Cl.)	
	Bearing Assembly .....	613011
<b>1997-1995</b>	7.1 (Turbo Diesel)(380mm Cl.)	
	Bearing Only .....	613014
<b>1997-1990</b>	366 (6.0) (Spicer 13" Cl.)	
	Bearing Assembly .....	614057
<b>1997-1990</b>	427 (7.0) (Spicer 13" Cl.)	
	Bearing Assembly .....	614057
<b>1997-1990</b>	366 (6.0) (14" Cl.)	
	Bearing Assembly .....	614098
<b>1997-1990</b>	500 (8.2)(Diesel)(Turbo Diesel)(14" Cl.)	
	Bearing Assembly .....	614098

**CLUTCH (cont.)**

**Release Bearing (cont.)**

<b>1997-1990</b>	427 (7.0) (14" Cl.)	
	Bearing Assembly .....	614098
<b>1996-1990</b>	403 (6.6)(Turbo Diesel)(14" Cl.)	
	Bearing Assembly .....	614098
<b>1996-1990</b>	403 (6.6)(Turbo Diesel)(Spicer 13" Cl.)	
	Bearing Assembly .....	614057
<b>1994-1990</b>	8.4 (Turbo Diesel)(355mm Cl.)	
	Bearing Only .....	613009
<b>1994-1990</b>	8.4 (Turbo Diesel)(355mm Cl.)	
	Bearing Only .....	613009
<b>1994-1990</b>	6.5 (Turbo Diesel)(330mm Cl.)	
	Bearing Assembly .....	614018 <sup>42</sup>
<b>1994-1990</b>	5.8 (Turbo Diesel)(355mm Cl.)	
	Bearing Only .....	613009
<b>1994-1990</b>	6.5 (Turbo Diesel)(355mm Cl.)	
	Bearing Only .....	613009
<b>1994-1990</b>	8.4 (Turbo Diesel)(380mm Cl.)	
	Bearing Only .....	613009
<b>1991-1990</b>	500 (8.2)(Diesel)(Turbo Diesel)(14" Cl.)(1.5" spline)	
	Bearing Assembly .....	614024
<b>1991-1990</b>	500 (8.2)(Detroit Diesel)(Lipe flywheel)	
	Bearing Only .....	GE2505C
<b>1991-1990</b>	500 (8.2)(Detroit Diesel)(flat flywheel)	
	Bearing Assembly .....	614065
<b>1991-1990</b>	500 (8.2)(Diesel)(Turbo Diesel)(14" Cl.)(1.75" spline)	
	Bearing Assembly .....	614065
<b>1991-1990</b>	454 (7.4) (14" Cl.)	
	Bearing Assembly .....	614024
<b>1991-1990</b>	VT225 (14" Cl.)	
	Bearing Assembly .....	614024
<b>1991-1990</b>	292 (4.8)(12" Cl.)	
	Bearing Assembly .....	614018 <sup>42</sup>
<b>1991-1990</b>	(3208 Caterpillar Diesel )	
	Bearing Assembly .....	614024
<b>1991-1990</b>	432 (7.2)(14" single Disc Cl.)	
	Bearing Assembly .....	614024
<b>1991-1990</b>	350 (5.7)(12" Cl.)	
	Bearing Assembly .....	614018 <sup>42</sup>
<b>1991-1990</b>	350 (5.7)(13" Cl.)	
	Bearing Only .....	CA02135C
<b>1991-1990</b>	366 (6.0) (13" Cl.)	
	Bearing Only .....	CA02135C
<b>1990</b>	6.5 (Diesel)(Turbo Diesel)(330mm Cl.)	
	Bearing Only .....	613009
<b>1990</b>	427 (7.0) (14" Cl.) FS6106A	
	Bearing Assembly .....	614097
<b>1990</b>	500 (8.2)(Diesel)(Turbo Diesel)(14" Cl.)	
	Bearing Assembly .....	614097
<b>1990</b>	427 (7.0) (Spicer 14" Cl.)	
	Bearing Assembly .....	614096
<b>1990</b>	500 (8.2)(Diesel)(Turbo Diesel)(14" Spicer 5xxx Cl.)	
	Bearing Assembly .....	614096

<sup>42</sup>Sealed Self-Aligning Brg

# Bearings and Seals

Mfg./Year	Model & Location	Part No	Mfg./Year	Model & Location	Part No
<b>CHEVROLET/GMC TRUCK - 1-1/2, 2, 2-1/2 TON - 40, 50, 60, 70, 4100, 4400, 4500 (cont.)</b>					

## CLUTCH (cont.)

### Release Bearing (cont.)

1990	636/10.4L (Diesel)(Turbo Diesel)(14" Cl.)(1.75" spline)	
	Bearing Assembly	614065
1990	427 (7.0)	
	Bearing Only	CA02135C
1990	427 (7.0) (14" single plate Cl.)	
	Bearing Assembly	614024
1990	500 (8.2)(Diesel)(Turbo Diesel)(14" Spicer 4054 Cl.)	
	Bearing Only	CA02135C
1990	500 (8.2)(Diesel)(Turbo Diesel)(14" push type Cl.)	
	Bearing Only	GE2505C
1990	636/10.4L (Diesel)(Turbo Diesel)(14" single plate Cl.)	
	Bearing Assembly	614024

## DRIVESHAFT SUPPORT

1997-1990	(Spicer 1480)(1.5748" 40mm Brg. I.D.)	
	Hanger Brg Assy	HB88508AA
1997-1990	(Spicer 1760)(2.3622" 60mm Brg. I.D.)	
	Hanger Brg Assy	HB88512AHD
1997-1990	(Spicer 1710)(1.9685" 50mm Brg. I.D.)	
	Hanger Brg Assy	HB88510
1997-1990	(Spicer 1550, 1610, 1650)(1.7717" 45mm Brg. I.D.)(end yoke style)	
	Ball Bearing	88509
	Hanger Brg Assy	HB88509A
1997-1990	(Spicer 1550, 1610, 1650)(1.7717" 45mm Brg. I.D.)(slip yoke style)	
	Ball Bearing	88509
	Hanger Brg Assy	HB88509
1996-1990	(Cleveland 055)(1.5748" 40mm Brg. I.D. 2.250" height)	
	Hanger Brg Assy	HB88508AB

## DRIVESHAFT SUPPORT (cont.)

1991-1990	(Spicer 1310, 1350)(1.5748" 40mm Brg. I.D.)	
	Ball Bearing	88508
	Hanger Brg Assy	HB88508C
1990	(Rockwell 68WB )(1.9685" Brg. I.D.)	
	Hanger Brg Assy	HB88510
1990	(Spicer 1410)(1.3780" 35mm Brg. I.D.)	
	Ball Bearing	88107
	Hanger Brg Assy	HB88107A
1990	(Rockwell 58WB )(1.7717" 45mm Brg. I.D.)	
	Ball Bearing	88509
	Hanger Brg Assy	HB88509B

## CRANKSHAFT FRONT SEAL

### 6 Cylinder

1994-1990	6494cc/6.5L (Turbo Diesel)	
	Seal Viton	710350
	Kwik Slv (Opt Rpr)	KWK99235

### 8 Cylinder

1996-1990	366/6.0L, 427/7.0L	
	Seal	3945
	Kwik Slv (Opt Rpr)	KWK99233

## CRANKSHAFT REAR SEAL

### 6 Cylinder

1994-1990	6494cc/6.5L (Turbo Diesel)	
	Seal Viton	710349
	Kwik Slv (Opt Rpr)	KWK99413

### 8 Cylinder

1996-1990	366/6.0L, 427/7.0L	
	Seal Viton	2261
	Kwik Slv (Opt Rpr)	KWK99435

# CHRYSLER - FRONT DRIVE - Cirrus, Sebring

## FRONT WHEEL

2006-2001	Sebring Sedan JR	
	Hub Assembly	513138[2]
2006-1996	Sebring Convertible JX	
	Hub Assembly	513138[2]
2005-1995	Sebring Coupe (w/o Convertible)	
	Hub Assembly	513157[2]
2000-1995	Cirrus	
	Hub Assembly	513138[2]

## REAR WHEEL

2006-2005	Sebring Sedan (w/o ABS) JR	
	Hub Assembly	512154[2]
2006-2001	Sebring Sedan (ABS) JR	
	Hub Assembly	512220[2]
2006-1998	Sebring Convertible (ABS) JX	
	Hub Assembly	512220[2]
2005-2001	Sebring Coupe (ABS)(w/o ABS)	
	Hub Assembly	HA590306[2] <sup>25</sup>
	Bearing Module Opt	512136[2]
2004-2003	Sebring Sedan (w/o ABS) JR	
	Hub Assembly	513138[2]
2000-1999	Cirrus (w/o ABS)	
	Hub Assembly	513138[2]

**REAR WHEEL (cont.)**

<b>2000-1998</b>	Cirrus (ABS)	
	Hub Assembly .....	512220[2]
<b>2000-1997</b>	Sebring Coupe (w/o ABS)(w/o Convertible)	
	Hub Assembly .....	HA590306[2] <sup>25</sup>
	Bearing Module Opt .....	512136[2]
<b>2000-1996</b>	Sebring Convertible (w/o ABS)	
	Hub Assembly .....	512154[2]
<b>2000-1996</b>	Sebring Coupe (ABS)	
	Hub Assembly .....	HA590306[2] <sup>25</sup>
	Bearing Module Opt .....	512136[2]
<b>1998-1995</b>	Cirrus (w/o ABS)	
	Hub Assembly .....	512154[2]
<b>1997-1996</b>	Sebring Convertible (ABS) JX	
	Hub Assembly .....	512133[2]
<b>1997-1995</b>	Cirrus (ABS)	
	Hub Assembly .....	512133[2]
<b>1995</b>	Sebring Coupe (ABS)	
	Hub Assembly .....	512133[2]
<b>1995</b>	Sebring Coupe (w/o ABS)	
	Hub Assembly .....	512154[2]

**CLUTCH**

**Release Bearing**

<b>1998-1995</b>	4 Cyl.	
	Bearing Assembly .....	614121
<b>1998-1995</b>	6 Cyl.	
	Bearing Assembly .....	614092

**4-SPEED AUTOMATIC TRANSAXLE**

**Differential**

<b>2004-1997</b>	(A604 41TE)(Prod. from mid 1997 on)	
	Cone/Cup (LH) .....	NP889967-NP714580
	Cone/Cup (RH) .....	NP952605-JL69310P
<b>1997-1996</b>	(A604 41TE)(Prod. thru mid 1997)	
	Cone/Cup (LH) .....	NP889967-NP714580
	Cone/Cup (RH) .....	JL69348-JL69310
<b>1995</b>	(A604 41TE)	
	Cone/Cup .....	JL69348-JL69310[2]

**Torque Convertor**

<b>2002-1995</b>		
	Seal .....	331228H
	Kwik Slv (Opt Rpr) .....	KWK99149

**Transfer Shaft**

<b>2004-2002</b>	(A604, 41TE)	
	Cone/Cup (Inner) .....	NP853895-NP352518
	Cone/Cup (Outer) .....	NP716862-LM501310
<b>2001-1996</b>	(A604, 41TE)	
	Cone/Cup (Inner) .....	NP853895-NP352518
	Set (Outer) .....	SET45
<b>1995</b>	(A604, 41TE)	
	Cone/Cup (Inner) .....	13687-13623X
	Set (Outer) .....	SET45

**4-SPEED AUTOMATIC TRANSAXLE**

**Output Shaft**

<b>2000-1997</b>	(A604 41TE)(Prod. from mid 1997 on)	
	Cone/Cup (Outer) .....	LM300848-LM300911
	Cone/Cup (Inner) .....	NP952605-JL69310P
<b>1997-1995</b>	(A604 41TE)(Prod. thru mid 1997)	
	Cone/Cup (Outer) .....	LM300848-LM300811
	Cone/Cup (Inner) .....	JL69348-JL69310

**Selector Shaft Seal/Man. Shaft**

<b>2002-1995</b>		
	Seal .....	8609

**5-SPEED MANUAL TRANSAXLE**

**Differential**

<b>2002-1995</b>		
	Seal .....	3459S[2]
	Set .....	SET11[2]
	Kwik Slv (Opt Rpr) .....	KWK99157[2]

**Input Shaft**

<b>2000-1995</b>		
	Seal (Frnt) .....	3732S
	Set (Frnt) .....	SET4
	Kwik Slv (Opt Rpr) .....	KWK99106
	Set (Rr) .....	SET5

**Selector Shaft Seal/Man. Shaft**

<b>2000-1995</b>		
	Seal .....	3816

**CAMSHAFT SEAL**

**4 Cylinder**

<b>2005-1995</b>	122/2.0L (DOHC), 148/2.4L (DOHC)	
	Seal Viton .....	320249[2]
	Kwik Slv (Opt Rpr) .....	KWK99139[2]
<b>2004-2001</b>	2350cc/2.4L (SOHC)	
	Seal .....	3771[2]
	Kwik Slv (Opt Rpr) .....	KWK99139[2]

**6 Cylinder**

<b>2004-2001</b>	181/3.0L	
	Seal .....	3771[2]
	Kwik Slv (Opt Rpr) .....	KWK99139[2]
<b>2000-1995</b>	2497cc/2.5L	
	Seal (Frnt) .....	3771[2]
	Kwik Slv (Opt Rpr) .....	KWK99139[2]

**CRANKSHAFT FRONT SEAL**

**4 Cylinder**

<b>2003-1995</b>	122/2.0L, 148/2.4L	
	Seal Viton .....	320348
	Kwik Slv (Opt Rpr) .....	KWK99128

<sup>25</sup>New Item, Check For Availability

# Bearings and Seals

Mfg./Year	Model & Location	Part No	Mfg./Year	Model & Location	Part No
-----------	------------------	---------	-----------	------------------	---------

## CHRYSLER - FRONT DRIVE - Cirrus, Sebring (cont.)

### CRANKSHAFT FRONT SEAL

#### 6 Cylinder

2003-2001	181/3.0L	
Seal		223750
2000-1995	2497cc/2.5L	
Seal		223750

### CRANKSHAFT REAR SEAL

#### 4 Cylinder

2005-2001	2350/2.4L (SOHC)	
Seal Viton		710235
2005-2001	2429cc/2.4L (DOHC)	
Seal Viton		710056
Seal PTFE H/D Opt		5279
2000-1995	122/2.0L, 148/2.4L	
Seal Viton		710056
Seal PTFE H/D Opt		5279

### CRANKSHAFT REAR SEAL

#### 6 Cylinder

2005-2001	167/2.7L (DOHC)	
Seal Viton		710056
Seal PTFE H/D Opt		5279
2005-2001	181/3.0L	
Seal Viton		710056
Seal PTFE H/D Opt		5279
2000-1995	2497cc/2.5L	
Seal Viton		710056
Seal PTFE H/D Opt		5279

## CHRYSLER - FRONT DRIVE - 300M, Concorde, Imperial, LeBaron, LHS, New Yorker

### FRONT WHEEL

2004-2001	Concorde	
Hub Assembly		513089[2]
2004-1999	300M	
Hub Assembly		513089[2]
2001-1994	LHS	
Hub Assembly		513089[2]
2000-1998	Concorde	
Hub Assembly		513089[2]
1997-1993	Concorde	
Hub Assembly		513089[2]
1996-1994	New Yorker	
Hub Assembly		513089[2]
1995-1994	LeBaron	
Hub Assembly		513075[2]
1993-1991	Imperial, LeBaron, New Yorker	
Hub Assembly		513075[2]
1990	Imperial, New Yorker	
Seal		5604[2] <sup>56</sup>
Hub Assembly		513075[2]
1990	LeBaron (Turbo)	
Seal		5604[2] <sup>56</sup>
Hub Assembly		513075[2]
1990	LeBaron (w/o Turbo)(4 Lug Whl) hub)	
Seal		5604[2] <sup>56</sup>
Ball Bearing		513006[2]
Hub Assembly		518501[2] <sup>62</sup>
1990	LeBaron (w/o Turbo)(5 Lug Whl. hub)	
Seal		5604[2] <sup>56</sup>
Ball Bearing		513006[2]
Hub Assembly		518502[2] <sup>62</sup>

### REAR WHEEL

2004-1999	300M	
Hub Assembly		512029[2]

### REAR WHEEL (cont.)

2004-1993	Concorde	
Hub Assembly		512029[2]
2001-1994	LHS, New Yorker	
Hub Assembly		512029[2]
1995-1994	LeBaron	
Seal (Inner)		4099[2]
Set (Inner)		SET46[2]
Cone/Cup (Outer)		LM12749F-LM12711[2]
Set (Outer) Opt		
Substitute Non-Polymer		
Retainer Set		SET16[2]
1993-1990		
Seal (Inner)		4099[2]
Set (Inner)		SET46[2]
Cone/Cup (Outer)		LM12749F-LM12711[2]
Set (Outer) Opt		
Substitute Non-Polymer		
Retainer Set		SET16[2]

### CLUTCH

#### Release Bearing

1995-1991	6 Cyl.	
Bearing Assembly		614092
1994-1990	4 Cyl.	
Bearing Assembly		614092

### AUTOMATIC TRANSAXLE

#### Input Shaft

1995-1990		
Seal		331228H
Kwik Slv (Opt Rpr)		KWK99149

**CHRYSLER - FRONT DRIVE - 300M, Concorde, Imperial, LeBaron, LHS, New Yorker (cont.)**

**AUTOMATIC TRANSAXLE**

**Output Shaft**

**1995-1990**  
 Seal ..... 3459S[2]  
 Kwik Slv (Opt Rpr) .....KWK99157[2]

**Differential**

**1995-1990**  
 Set ..... SET11[2]

**4-SPEED AUTOMATIC TRANSAXLE**

**Differential**

**2004-1993** (A606, 42LE)  
 Seal ..... 3459S[2]  
 Set ..... SET36[2]  
 Kwik Slv (Opt Rpr) .....KWK99157  
**1996** (A604, 41TE)  
 Seal (LH) ..... 3459S  
 Cone/Cup (LH) ..... NP889967-NP714580  
 Kwik Slv (Opt Rpr) (LH) .....KWK99157  
 Seal (RH) ..... 3459S  
 Cone/Cup (RH) ..... JL69348-JL69310  
 Kwik Slv (Opt Rpr) (RH) .....KWK99157  
**1995-1990** (A604 41TE)  
 Seal ..... 3459S[2]  
 Set ..... SET11[2]  
 Kwik Slv (Opt Rpr) .....KWK99157[2]

**Torque Convertor**

**2000-1993** (42LE)  
 Seal ..... 331228H

**Transfer Shaft**

**2004-2000** (A606, 42LE)  
 Cone/Cup (Outer) ..... 26131H-NP941813  
 Cone/Cup (Inner) ..... M802048CP-M802011AP  
**1999-1993** (A606, 42LE)  
 Cone/Cup (Outer) ..... 26131H-26334  
 Cone/Cup (Inner) ..... M802048CP-M802011AP

**Output Shaft**

**2004-2001** (A606 42LE)(Prod. from mid 1997 on)  
 Cone/Cup (Outer) ..... NP952605-JL69310P  
 Cone/Cup (Inner) ..... NP117885-LM300811  
**2000-1997** (A606 42LE)(Prod. from mid 1997 on)  
 Cone/Cup (Outer) ..... NP952605-JL69310P  
 Cone/Cup (Inner) ..... LM300848-LM300811

**Selector Shaft Seal/Man. Shaft**

**2000-1993**  
 Seal ..... 8609

**CAMSHAFT SEAL**

**4 Cylinder**

**1994-1990** 122/2.0L, 135/2.2L  
 Seal ..... 3655S  
 Kwik Slv (Opt Rpr) .....KWK99139  
**1994-1990** 153/2.5L  
 Seal ..... 3655S  
 Kwik Slv (Opt Rpr) .....KWK99139

**6 Cylinder**

**2004-1998** 3200cc/3.2L (SOHC), 3518cc/3.5L (SOHC)  
 Seal ..... 714655[2]  
 Kwik Slv (Opt Rpr) .....KWK99112[2]  
**1997-1993** 215/3.5L  
 Seal ..... 714655[2]  
 Kwik Slv (Opt Rpr) .....KWK99112[2]  
**1995-1994** 181/3.0L  
 Seal ..... 3771[2]  
 Kwik Slv (Opt Rpr) .....KWK99139[2]

**CRANKSHAFT FRONT SEAL**

**4 Cylinder**

**1994-1990** 135/2.2L, 153/2.5L  
 Seal ..... 3638  
 Kwik Slv (Opt Rpr) .....KWK99112

**6 Cylinder**

**2004-1990** 201/3.3L, 215/3.5L, 230/3.8L  
 Seal ..... 3638  
 Kwik Slv (Opt Rpr) .....KWK99112

**CRANKSHAFT REAR SEAL**

**4 Cylinder**

**1994-1990** 135/2.2L, 153/2.5L  
 Seal Viton ..... 710056  
 Seal PTFE H/D Opt ..... 5279

**6 Cylinder**

**2004-1990**  
 Seal Viton ..... 710056  
 Seal PTFE H/D Opt ..... 5279

# Bearings and Seals

Mfg./Year	Model & Location	Part No	Mfg./Year	Model & Location	Part No
-----------	------------------	---------	-----------	------------------	---------

## **CHRYSLER - REAR DRIVE - Crossfire**

### **FRONT WHEEL**

2006-2004  
 Set (Inner) ..... SET17[2]  
 Set (Outer) ..... SET12[2]

### **REAR WHEEL**

2006-2004  
 Ball Bearing ..... 513130[2]

### **REAR AXLE**

#### **Pinion**

2005-2004  
 Cone/Cup (Inner) ..... NP443760-NP564799

## **CHRYSLER - REAR DRIVE - Prowler (See Also Plymouth)**

### **FRONT WHEEL**

2002  
 Hub Assembly ..... 513123[2]

### **REAR WHEEL**

2002  
 Hub Assembly ..... 513089[2]

### **4-SPEED AUTOMATIC TRANSAXLE**

#### **Differential**

2002 (A606, 42LE)  
 Seal ..... 3459S[2]  
 Set ..... SET36[2]  
 Kwik Slv (Opt Rpr) ..... KWK99157[2]

#### **Torque Converter**

2002-2001 (42LE)  
 Seal ..... 8516N

#### **Transfer Shaft**

2002 (A606, 42LE)  
 Cone/Cup (Outer) ..... 26131H-NP941813  
 Cone/Cup (Inner) ..... M802048CP-M802011AP

#### **Output Shaft**

2002 (A606, 42LE)  
 Cone/Cup (Outer) ..... NP952605-JL69310P  
 Cone/Cup (Inner) ..... NP117885-LM300811

#### **Selector Shaft Seal/Man. Shaft**

2002 (A606, 42LE)  
 Seal ..... 8609

### **CAMSHAFT SEAL**

#### **6 Cylinder**

2002 215/3.5L  
 Seal ..... 714655[2]  
 Kwik Slv (Opt Rpr) ..... KWK99112[2]

### **CRANKSHAFT FRONT SEAL**

#### **6 Cylinder**

2002 215/3.5L  
 Seal ..... 3638  
 Kwik Slv (Opt Rpr) ..... KWK99112

### **CRANKSHAFT REAR SEAL**

#### **6 Cylinder**

2002-2001 215/3.5L  
 Seal Viton ..... 710056  
 Seal PTFE H/D Opt ..... 5279

## **CHRYSLER - REAR DRIVE - 300**

### **FRONT WHEEL**

2006-2005 300 (RWD)  
 Hub Assembly ..... HA590030[2]<sup>25</sup>

### **REAR WHEEL**

2006-2005 300  
 Hub Assembly ..... HA590031[2]<sup>25</sup>

### **CAMSHAFT SEAL**

#### **6 Cylinder**

2005 215/3.5L  
 Seal ..... 714655

Mfg./Year	Model & Location	Part No	Mfg./Year	Model & Location	Part No
-----------	------------------	---------	-----------	------------------	---------

## CHRYSLER - REAR DRIVE - 300 (cont.)

### CRANKSHAFT FRONT SEAL

#### 6 Cylinder

2005	215/3.5L	
Seal		3638

## CHRYSLER - CUV - Pacifica

### FRONT WHEEL

2005-2004		
Hub Assembly		HA590208[2]

### REAR WHEEL

2005-2004		
Hub Assembly		HA590209[2]

### 4-SPEED AUTOMATIC TRANSAXLE

#### Differential

2004	(A604, 41TE)	
Cone/Cup (LH)		NP889967-NP714580
Cone/Cup (RH)		NP952605-JL69310P

#### Transfer Shaft

2004	(A604, 41TE)	
Cone/Cup (LH)		NP853895-NP352518
Cone/Cup (RH)		NP716862-LM501310

### 4-SPEED AUTOMATIC TRANSAXLE

#### Output Shaft

2004	(A604, 41TE)	
Cone/Cup (LH)		NP117885-LM300811
Cone/Cup (RH)		NP952605-JL69310P

### CRANKSHAFT FRONT SEAL

#### 6 Cylinder

2005-2004	215/3.5L	
Seal		3638

### CRANKSHAFT REAR SEAL

#### 6 Cylinder

2005-2004	215/3.5L	
Seal Viton		710056
Seal PTFE H/D Opt		5279

## CHRYSLER TRUCK - PT Cruiser

### FRONT WHEEL

2005-2002		
Set		SET49[2]
2001		
Ball Bearing		510057[2]

### REAR WHEEL

2005-2003		
Hub Assembly		512167[2]
2002-2001 (Disc Brks.)		
Hub Assembly		512168[2]
2002-2001 (Drum Brks.)		
Hub Assembly		512167[2]

### CLUTCH

#### Release Bearing

2004-2001		
Bearing Assembly		614121

### 4-SPEED AUTOMATIC TRANSAXLE

#### Differential

2004-2001	(A604, 41TE)	
Cone/Cup (LH)		NP889967-NP714580
Cone/Cup (RH)		NP952605-JL69310P

#### Transfer Shaft

2004-2001	(A604, 41TE)	
Cone/Cup (LH)		NP853895-NP352518
Cone/Cup (RH)		NP716862-LM501310

#### Output Shaft

2004-2001	(A604, 41TE)	
Cone/Cup (LH)		NP117885-LM300811
Cone/Cup (RH)		NP952605-JL69310P

### CAMSHAFT SEAL

#### 4 Cylinder

2005-2001	148/2.4L	
Seal Viton		320249
Kwik Slv (Opt Rpr)		KWK99139



# Bearings and Seals

Mfg./Year	Model & Location	Part No	Mfg./Year	Model & Location	Part No
-----------	------------------	---------	-----------	------------------	---------

## CHRYSLER TRUCK - PT Cruiser (cont.)

### CRANKSHAFT FRONT SEAL

#### 4 Cylinder

2002-2001	148/2.4L	
Seal Viton		320348
Kwik Slv (Opt Rpr)		KWK99128

### CRANKSHAFT REAR SEAL

#### 4 Cylinder

2005-2001	148/2.4L	
Seal Viton		710056
Seal PTFE H/D Opt		5279

## CHRYSLER TRUCK - Town & Country Van, Voyager, Grand Voyager from 2001 (see also Plymouth)

### FRONT WHEEL

2006-2001		
Hub Assembly		513123[2]
2000-1996	(14" Whl.)	
Hub Assembly		513122[2]
2000-1996	(Exc. 14" Whl.)	
Hub Assembly		513123[2]
1995-1991	(14" Whl.)	
Hub Assembly		513075[2]
1995-1990	(15" Whl.)	
Hub Assembly		513074[2] <sup>44</sup>
1990	(14" Whl.)	
Seal		5604[2] <sup>56</sup>
Ball Bearing		513006[2]
Hub Assembly Opt Bol		
On 4 Lug		518501[2] <sup>62</sup>
Hub Assembly Opt Bol		
On 5 Lug		518502[2] <sup>62</sup>

### REAR WHEEL

2006-2001	(ABS)(Disc Brks.)	
Hub Assembly		512169[2]
2006-2001	(ABS)(Drum Brks.)	
Hub Assembly		512169[2]
2006-2001	(w/o ABS)(Drum Brks.)	
Hub Assembly		512170[2]
2004-2001	(w/o ABS)(Disc Brks.)	
Hub Assembly		512170[2]
2000-1997	(Disc Brks.)	
Hub Assembly		512157[2]
2000-1996	Town & Country (14" Whl)(Drum Brks.)	
Hub Assembly		512155[2]
2000-1996	Town & Country (15" Whl)(Drum Brks.)	
Hub Assembly		512156[2]
1995-1990		
Seal (Inner)		4249[2]
Set (Inner)		SET17[2]
Cone/Cup (Outer)		LM12749F-LM12711[2]
Set (Outer) Opt		
Substitute Non-Polymer		
Retainer Set		SET16[2]

### 4WD/AWD

2006-2005	Voyager	
Hub Assembly		512169[2]
2004-1996		
Hub Assembly		512157[2]

### REAR WHEEL (cont.)

#### 4WD/AWD (cont.)

1995-1991		
Hub Assembly		512125[2]

### AWD REAR AXLE

#### Differential

2000-1994		
Cone/Cup		JL69349H-JL69310[2]

#### Pinion

2000-1994		
Set (Inner)		SET45
Set (Outer)		SET17

### TRANSFER CASE

#### Input Shaft

2000-1994		
Seal		710501

#### Front Output Shaft

2000-1994		
Seal		3459S
Ball Bearing		106WB
Kwik Slv (Opt Rpr)		KWK99157

### 3-SPEED AUTOMATIC TRANSAXLE

#### Torque Converter

1998-1990		
Seal		331228H
Kwik Slv (Opt Rpr)		KWK99149

#### Transfer Shaft

2002-1997	(A404 31TH)(Prod. from mid 1997 on)	
Cone/Cup (LH)		NP952605-JL69310P
Cone/Cup (RH)		NP952605-JL69310P
1997-1992	(A404 31TH)(Prod. thru mid 1997)	
Cone/Cup (LH)		JL69349CP-JL69310P
Cone/Cup (RH)		JL69349CP-JL69310P
1991-1990	(A404, 31TH)	
Cone/Cup (LH)		JL69349H-JL69310
Cone/Cup (RH)		JL69349H-JL69310
1991-1990	(A413)	
Set		SET11

**CHRYSLER TRUCK - Town & Country Van, Voyager, Grand Voyager from 2001**  
*(see also Plymouth) (cont.)*

**3-SPEED AUTOMATIC TRANSAXLE**

**Output Shaft**

2002-1990 (A404, 31TH)  
 Cone/Cup (LH) ..... L68149P-L68111P  
 Cone/Cup (RH) ..... L68149P-L68111P

**Differential**

2002-1997 (A404 31TH)(Prod. from mid 1997 on)  
 Cone/Cup (LH) ..... NP889967-NP714580  
 Cone/Cup (RH) ..... NP952605-JL69310P  
 1997-1996 (A404 31TH)(Prod. thru mid 1997)  
 Cone/Cup (LH) ..... JL69348-JL69310  
 Cone/Cup (RH) ..... NP889967-NP714580  
 1995-1992 (A404 31TH)  
 Cone/Cup ..... JL69349CP-JL69310P[2]  
 1991-1990 (A404)  
 Cone/Cup ..... JL69349H-JL69310[2]  
 1991-1990 (A413)  
 Seal ..... 3459S[2]  
 Set ..... SET11[2]  
 Kwik Slv (Opt Rpr) ..... KWK99157[2]

**Selector Shaft Seal/Man. Shaft**

2002-1990  
 Seal ..... 8609

**4-SPEED AUTOMATIC TRANSAXLE**

**Differential**

2004-1997 (A604 41TE)(AWD)(Prod. from mid 1997 on)  
 Cone/Cup (LH) ..... NP889967-NP714580  
 Cone (RH) ..... LM503349  
 2004-1997 (A604 41TE)(Prod. from mid 1997 on)  
 Cone/Cup (LH) ..... NP889967-NP714580  
 Cone/Cup (RH) ..... NP952605-JL69310P  
 1999-1993 (A606, 42LE)  
 Set ..... SET36[2]  
 1997 (A604 41TE)(AWD)(Prod. thru mid 1997)  
 Cone/Cup (LH) ..... NP889967-NP714580  
 Cone/Cup (RH) ..... JL69348-JL69310  
 1997-1995 (A604 41TE)(Prod. thru mid 1997)  
 Cone/Cup (LH) ..... NP889967-NP714580  
 Cone/Cup (RH) ..... JL69348-JL69310  
 1995-1992 (A604 41TE)  
 Cone/Cup ..... JL69348-JL69310[2]  
 1995-1991 (A604 41TE)(AWD)  
 Cone/Cup (LH) ..... JL69348-JL69310  
 Cone (RH) ..... LM503349  
 1991-1990 (A604, A670)  
 Set ..... SET11[2]

**4-SPEED AUTOMATIC TRANSAXLE**

**Torque Converter**

2002-1990  
 Seal ..... 331228H  
 Kwik Slv (Opt Rpr) ..... KWK99149

**Transfer Shaft**

2004-2002 (A604 41TE)(incl. AWD)  
 Cone/Cup (LH) ..... NP853895-NP352518  
 Cone/Cup (RH) ..... NP716862-LM501310  
 2001-1996 (A604 41TE)(incl. AWD)  
 Cone/Cup (LH) ..... NP853895-NP352518  
 Set (RH) ..... SET45  
 1999-1993 (A606, 42LE)  
 Cone/Cup ..... 26131H-26334[2]  
 Cone/Cup ..... M802048CP-M802011AP[2]  
 1995-1992 (A604 41TE)(incl. AWD)  
 Cone/Cup ..... 13687-13623X  
 Set ..... SET45[2]  
 1991-1990 (A604, A670)  
 Set ..... SET11[2]

**Output Shaft**

2004-2001 (A604 41TE)  
 Cone/Cup (RH) ..... NP952605-JL69310P  
 Cone/Cup (LH) ..... NP117885-LM300911  
 2004-2001 (A604 41TE)(AWD)  
 Cone/Cup (RH) ..... NP952605-JL69310P  
 Cone/Cup (LH) ..... NP117885-LM300911  
 2000-1997 (A604 41TE)(incl. AWD)(Prod. from mid 1997 on)  
 Cone/Cup (RH) ..... NP952605-JL69310P  
 Cone/Cup (LH) ..... LM300848-LM300911  
 2000-1997 (A606 42LE)(Prod. from mid 1997 on)  
 Cone/Cup (RH) ..... NP952605-JL69310P  
 Cone/Cup (LH) ..... LM300848-LM300911  
 1997-1993 (A606 42LE)(Prod. thru mid 1997)  
 Cone/Cup (RH) ..... JL69348-JL69310  
 Cone/Cup (LH) ..... LM300848-LM300911  
 1997-1992 (A604 41TE)(incl. AWD)(Prod. thru mid 1997)  
 Cone/Cup (RH) ..... JL69348-JL69310  
 Cone/Cup (LH) ..... LM300848-LM300911  
 1991-1990 (A604, A670)  
 Seal ..... 3459S[2]  
 Set ..... SET17[2]

**Selector Shaft Seal/Man. Shaft**

2000-1990  
 Seal ..... 8609

# Bearings and Seals

Mfg./Year    Model & Location    Part No    Mfg./Year    Model & Location    Part No

## **CHRYSLER TRUCK - Town & Country Van, Voyager, Grand Voyager from 2001** (see also Plymouth) (cont.)

### **POWER STEERING**

#### **Pump Shaft**

1995-1990  
Seal .....7013S

#### **Worm Shaft**

1992-1990  
Seal .....7188S

### **CAMSHAFT SEAL**

#### **4 Cylinder**

2002-2000 148/2.4L (DOHC)  
Seal Viton ..... 320249[2]  
Kwik Slv (Opt Rpr) .....KWK99139[2]

#### **6 Cylinder**

2000 2972cc/3.0L (DOHC)  
Seal .....3771[2]  
Kwik Slv (Opt Rpr) .....KWK99139

### **CRANKSHAFT FRONT SEAL**

#### **4 Cylinder**

2002-2000 148/2.4L (DOHC)  
Seal Viton ..... 710056  
Seal PTFE H/D Opt ..... 5279

### **INTERMEDIATE SHAFT**

#### **6 Cylinder**

2002-1990 201/3.3L, 230/3.8L  
Seal .....3655S  
Kwik Slv (Opt Rpr) .....KWK99139

### **CRANKSHAFT FRONT SEAL**

#### **4 Cylinder**

2002-2000 148/2.4L (DOHC)  
Seal Viton ..... 320348  
Kwik Slv (Opt Rpr) .....KWK99112

#### **6 Cylinder**

2004-2003 201/3.3L, 230/3.8L  
Seal .....223230  
2002-1990 201/3.3L, 230/3.8L  
Seal .....3638  
Kwik Slv (Opt Rpr) .....KWK99112  
2000 2972cc/3.0L  
Seal .....223750

### **CRANKSHAFT REAR SEAL**

#### **6 Cylinder**

2005-1990 181/3.0L, 201/3.3L, 231/3.8L  
Seal Viton ..... 710056  
Seal PTFE H/D Opt ..... 5279

## **DACIA**

### **FRONT WHEEL**

1991-1990  
Ball Bearing (Inner) .....207F[2]  
Ball Bearing (Outer) .....207F[2]

### **CLUTCH**

#### **Pilot Bearing**

1991-1990  
Ball Bearing ..... 203SS

### **CLUTCH**

#### **Release Bearing**

1991-1990  
Bearing Assembly .....614012

## **DAEWOO - Lanos, Leganza, Nubira**

### **FRONT WHEEL**

2002-1999 Lanos, Nubria  
Ball Bearing ..... 513113[2]  
2002-1999 Leganza  
Ball Bearing ..... 510065[2]

### **REAR WHEEL**

2002-1999 Lanos, Nubria  
Seal (Inner) .....471498[2]  
Set (Inner) ..... SET8[2]  
Set (Outer) ..... SET1[2]

### **REAR WHEEL (cont.)**

2002-1999 Leganza  
Hub Assembly .....512159[2]

### **CAMSHAFT SEAL**

#### **4 Cylinder**

2002-1999 1598cc/1.6L  
Seal .....1181  
Kwik Slv (Opt Rpr) .....KWK99169  
2002-1999 2.0L, 2.2L  
Seal Viton ..... 1108[2]

Mfg./Year	Model & Location	Part No	Mfg./Year	Model & Location	Part No
-----------	------------------	---------	-----------	------------------	---------

**DAIHATSU - Charade**

**FRONT WHEEL**  
 1992-1990 Charade (From 1/1989)  
 Ball Bearing ..... 510012[2]

**REAR WHEEL**  
 1992-1990 Charade 2 door  
 Ball Bearing (Inner) ..... 205F[2]  
 Ball Bearing (Outer) ..... 303BB[2]

**CLUTCH**  
**Release Bearing**  
 1992-1990  
 Bearing Assembly ..... 614110

**3-SPEED AUTOMATIC TRANSAXLE**  
**Torque Converter**  
 1992-1990 (Aisin A210)  
 Seal ..... 223830  
 Kwik Slv (Opt Rpr) ..... KWK99147

**Output Shaft**  
 1992-1990 (Aisin A210)  
 Seal ..... 223540[2]  
 Kwik Slv (Opt Rpr) ..... KWK99139[2]

**Differential**  
 1992-1990 (Aisin A210)  
 Ball Bearing ..... 207S[2]

**Selector Shaft Seal/Man. Shaft**  
 1992-1990 (Aisin A210)  
 Seal ..... 710116

**MANUAL STEERING**  
**Pitman Shaft**  
 1992-1990  
 Ball Bearing ..... 202AG

**CAMSHAFT SEAL**  
**3 Cylinder**  
 1992-1990 993cc/1.0L  
 Seal ..... 712008  
 Kwik Slv (Opt Rpr) ..... KWK99111

**4 Cylinder**  
 1992-1990 1295cc/1.3L  
 Seal ..... 223800

**CRANKSHAFT FRONT SEAL**  
**3 Cylinder**  
 1992-1990 993cc/1.0L  
 Seal ..... 223420

**4 Cylinder**  
 1992-1990 1295cc/1.3L  
 Seal ..... 223420

**CRANKSHAFT REAR SEAL**  
**3 Cylinder**  
 1992-1990 993cc/1.0L  
 Seal ..... 710271

**4 Cylinder**  
 1992-1990 1295cc/1.3L  
 Seal ..... 228009  
 Kwik Slv (Opt Rpr) ..... KWK99313

**DAIHATSU TRUCK - SUV - Rocky**

**FRONT WHEEL**  
 1992-1990  
 Seal (Inner) ..... 224200S[2]  
 Bearing Assembly (Inne ..... 32007XM[2]  
 Seal (Outer) ..... 225535[2]

**4WD/AWD**  
 1992-1990  
 Seal (Inner) ..... 224200S[2]  
 Bearing Assembly (Inne ..... 32007XM[2]  
 Seal (Outer) ..... 225535[2]

**REAR WHEEL**  
 1992-1990  
 Seal (Inner) ..... 225208[2]  
 Ball Bearing (Inner) ..... 511022[2]  
 Seal (Outer) ..... 225008[2]

**4WD FRONT AXLE**  
**Differential**  
 1992-1990  
 Cone/Cup ..... 16150-16282[2]

# Bearings and Seals

Mfg./Year	Model & Location	Part No	Mfg./Year	Model & Location	Part No
-----------	------------------	---------	-----------	------------------	---------

## **DAIHATSU TRUCK - SUV - Rocky (cont.)**

### **4WD FRONT AXLE**

#### **Pinion**

<b>1992-1990</b>		
Bearing Assembly (Inne .....	30306M	
Seal (Outer) .....	710269	
Cone (Outer) .....	30305C	

### **REAR AXLE**

#### **Differential**

<b>1992-1990</b>		
Bearing Assembly .....	30208M[2]	

#### **Pinion**

<b>1992-1990</b>		
Bearing Assembly (Inne .....	30307M	
Seal (Outer) .....	710270	
Bearing Assembly (Outer) .....	30306M	
Kwik Slv (Opt Rpr) .....	KWK99177	

### **CLUTCH**

#### **Pilot Bearing**

<b>1992-1990</b>	Rocky	
Ball Bearing .....	101SS	

#### **Release Bearing**

<b>1992-1990</b>		
Bearing Assembly .....	614145	

### **CRANKSHAFT FRONT SEAL**

#### **4 Cylinder**

<b>1992-1990</b>	1589cc/1.6L	
Seal .....	223420	

### **CRANKSHAFT REAR SEAL**

#### **4 Cylinder**

<b>1992-1990</b>	1589cc/1.6L	
Seal .....	228009	
Kwik Slv (Opt Rpr) .....	KWK99313	

## **DODGE - FRONT DRIVE - Daytona, Dynasty, Shadow, Spirit**

### **FRONT WHEEL**

<b>1995-1991</b>		
Hub Assembly .....	513075[2]	
<b>1990</b>	(4 Lug Whl.)	
Seal .....	5604[2] <sup>56</sup>	
Ball Bearing .....	513006[2]	
Hub Assembly .....	518501[2] <sup>62</sup>	
<b>1990</b>	(5 Lug Whl.)	
Ball Bearing .....	513006[2]	
Hub Assembly .....	518502[2] <sup>62</sup>	
Seal .....	5604[2] <sup>56</sup>	
<b>1990</b>	Daytona (14" Whl.)	
Seal .....	5604[2] <sup>56</sup>	
Ball Bearing .....	513006[2]	
Hub Assembly .....	518502[2] <sup>62</sup>	
<b>1990</b>	Daytona (15" and 16" Whl.)	
Hub Assembly .....	513075[2]	
<b>1990</b>	Dynasty	
Hub Assembly .....	513075[2]	

### **REAR WHEEL**

<b>1995-1990</b>		
Seal (Inner) .....	4099[2]	
Set (Inner) .....	SET46[2]	
Cone/Cup (Outer) .....	LM12749F-LM12711[2]	
Set (Outer) Opt Substitute Non-Polymer Retainer Set .....	SET16[2]	

### **CLUTCH**

#### **Release Bearing**

<b>1995-1991</b>	6 Cyl. 3.0, 3.2	
Bearing Assembly .....	614092	
<b>1994-1990</b>	4 Cyl.	
Bearing Assembly .....	614092	

### **3-SPEED AUTOMATIC TRANSAXLE**

#### **Torque Converter**

<b>1995-1990</b>		
Seal .....	331228H	
Kwik Slv (Opt Rpr) .....	KWK99149	

#### **Output Shaft**

<b>1991-1990</b>	(A404, A413, A470, A670, 31TH)	
Set .....	SET17[2]	

#### **Differential**

<b>1995-1990</b>	(A404, A413, A470, A670, 31TH)	
Seal .....	3459S[2]	
Set .....	SET11[2]	
Kwik Slv (Opt Rpr) .....	KWK99157[2]	

#### **Selector Shaft Seal/Man. Shaft**

<b>1995-1990</b>	(A404, A413, A470, A670, 31TH)	
Seal .....	8609	

### **4-SPEED AUTOMATIC TRANSAXLE**

#### **Torque Converter**

<b>1995-1990</b>	(A604, 41TE, 42LE)	
Seal .....	331228H	
Kwik Slv (Opt Rpr) .....	KWK99149	

Mfg./Year	Model & Location	Part No	Mfg./Year	Model & Location	Part No
<b>DODGE - FRONT DRIVE - Daytona, Dynasty, Shadow, Spirit (cont.)</b>					

**4-SPEED AUTOMATIC TRANSAXLE**

**Output Shaft**  
 1991-1990 (A604)  
 Set ..... SET17[2]

**Selector Shaft Seal/Man. Shaft**  
 1995-1990 (A604, 41TE)  
 Seal .....8609

**5-SPEED MANUAL TRANSAXLE**

**Differential**  
 1995-1990 (A465, A520, A523, A525, A543, A555, A568)  
 Seal .....3459S[2]  
 Set ..... SET11[2]  
 Kwik Slv (Opt Rpr) .....KWK99157[2]

**Input Shaft**  
 1995-1990 (A465, A520, A523, A525, A543, A555, A568)  
 Seal (Frnt) .....3732S  
 Set (Frnt) ..... SET4  
 Kwik Slv (Opt Rpr) .....KWK99106  
 Set (Rr) ..... SET5

**Selector Shaft Seal/Man. Shaft**  
 1995-1990 (A465, A520, A523, A525, A543, A555, A568)  
 Seal .....3816

**CAMSHAFT SEAL**

**4 Cylinder**  
 2004-2001 2350cc/2.4L (SOHC)  
 Seal .....3771[2]  
 Kwik Slv (Opt Rpr) .....KWK99139[2]  
 1995-1990 135/2.2L, 153/2.5L  
 Seal .....3655S  
 Kwik Slv (Opt Rpr) .....KWK99139  
 1993-1991 135/2.2L  
 Seal .....223801  
 Kwik Slv (Opt Rpr) .....KWK99147

**6 Cylinder**

1995-1990 2972cc/3.0L  
 Seal .....3771  
 Kwik Slv (Opt Rpr) .....KWK99139

**CRANKSHAFT FRONT SEAL**

**4 Cylinder**  
 1995-1990 135/2.2L, 153/2.5L  
 Seal .....3638  
 Kwik Slv (Opt Rpr) .....KWK99112

**6 Cylinder**

1994-1990 181/3.0L  
 Seal .....223750

**CRANKSHAFT REAR SEAL**

**4 Cylinder**  
 1995-1990 135/2.2L, 153/2.5L  
 Seal Viton .....710056  
 Seal PTFE H/D Opt .....5279

**6 Cylinder**

1994-1990 181/3.0L  
 Seal Viton .....710056

**DODGE - FRONT DRIVE - Avenger**

**FRONT WHEEL**

2000-1995  
 Hub Assembly .....513157[2]

**REAR WHEEL**

2000-1995 (ABS) & (w/o ABS)  
 Hub Assembly ..... HA590306[2]<sup>25</sup>  
 Bearing Module Opt .....512136[2]

**CLUTCH**

**Release Bearing**

2000-1995  
 Bearing Assembly .....614121

<sup>25</sup>New Item, Check For Availability

# Bearings and Seals

Mfg./Year	Model & Location	Part No	Mfg./Year	Model & Location	Part No
-----------	------------------	---------	-----------	------------------	---------

## **DODGE - FRONT DRIVE - Avenger (cont.)**

### **4-SPEED AUTOMATIC TRANSAXLE**

#### **Differential**

<b>2000-1997</b>	(A604 41TE)(Prod. from mid 1997 on)	
Cone/Cup (LH)	.....	NP889967-NP714580
Cone/Cup (RH)	.....	NP952605-JL69310P
<b>1997-1996</b>	(A604 41TE)(Prod. thru mid 1997)	
Cone/Cup (LH)	.....	NP889967-NP714580
Cone/Cup (RH)	.....	JL69348-JL69310
<b>1995</b>	(A604 41TE)	
Cone/Cup	.....	JL69348-JL69310[2]

#### **Torque Convertor**

<b>2000-1995</b>		
Seal	.....	331228H
Kwik Slv (Opt Rpr)	.....	KWK99149

#### **Transfer Shaft**

<b>2000-1996</b>	(A604, 41TE)	
Cone/Cup (Inner)	.....	NP853895-NP352518
Set (Outer)	.....	SET45
<b>1995</b>	(A604, 41TE)	
Cone/Cup (Inner)	.....	13687-13623X
Set (Outer)	.....	SET45

#### **Output Shaft**

<b>2000-1997</b>	(A604 41TE)(Prod. from mid 1997 on)	
Cone/Cup (Outer)	.....	LM300848-LM300911
Cone/Cup (Inner)	.....	NP952605-JL69310P
<b>1997-1995</b>	(A604 41TE)(Prod. thru mid 1997)	
Cone/Cup (Outer)	.....	LM300848-LM300811
Cone/Cup (Inner)	.....	JL69348-JL69310

### **5-SPEED MANUAL TRANSAXLE**

#### **Differential**

<b>1999-1995</b>	(A578)	
Seal	.....	3459S[2]
Set	.....	SET11[2]
Kwik Slv (Opt Rpr)	.....	KWK99157[2]

#### **Output Shaft**

<b>1999-1995</b>	(A578)	
Seal	.....	3459S[2]
Kwik Slv (Opt Rpr)	.....	KWK99157[2]

#### **Selector Shaft Seal/Man. Shaft**

<b>1999-1995</b>	(A578)	
Seal	.....	3816

### **CAMSHAFT SEAL**

#### **4 Cylinder**

<b>1999-1995</b>	122/2.0L	
Seal Viton	.....	320249
Kwik Slv (Opt Rpr)	.....	KWK99139

#### **6 Cylinder**

<b>2000-1995</b>	2497cc/2.5L	
Seal	.....	3771[2]
Kwik Slv (Opt Rpr)	.....	KWK99139[2]

### **CRANKSHAFT FRONT SEAL**

#### **4 Cylinder**

<b>1999-1995</b>	122/2.0L	
Seal Viton	.....	320348
Kwik Slv (Opt Rpr)	.....	KWK99128

#### **6 Cylinder**

<b>2000-1995</b>	2497cc/2.5L	
Seal	.....	223750
Kwik Slv (Opt Rpr)	.....	KWK99147

### **CRANKSHAFT REAR SEAL**

#### **4 Cylinder**

<b>1999-1995</b>	122/2.0L	
Seal Viton	.....	710056
Seal PTFE H/D Opt	.....	5279

#### **6 Cylinder**

<b>2000-1995</b>	2497cc/2.5L	
Seal Viton	.....	710056
Seal PTFE H/D Opt	.....	5279

**FRONT WHEEL**

<b>1990</b>	Omni Charger Shelby	
Seal	.....	5604[2] <sup>56</sup>
Ball Bearing	.....	513006[2]
Hub Assembly 4 Studs	.....	518501[2] <sup>62</sup>
Hub Assembly 5 Studs	.....	518502[2] <sup>62</sup>
<b>1990</b>	Omni(Exc. Shelby)	
Seal	.....	5604[2] <sup>56</sup>
Ball Bearing	.....	B39[2]
Hub Assembly	.....	518500[2] <sup>62</sup>

**REAR WHEEL**

<b>1990</b>		
Seal (Inner)	.....	4099[2]
Set (Inner)	.....	SET46[2]
Cone/Cup (Outer)	.....	LM12749F-LM12711[2]
Set (Outer) Opt		
Substitute Non-Polymer		
Retainer Set	.....	SET16[2]

**CLUTCH**

**Release Bearing**

<b>1990</b>	4 Cyl.	
Bearing Assembly	.....	614092

**3-SPEED AUTOMATIC TRANSAXLE**

**Torque Converter**

<b>1990</b>		
Seal	.....	331228H
Kwik Slv (Opt Rpr)	.....	KWK99149

**Output Shaft**

<b>1990</b>	(A404, A413, A470, A670, 31TH)	
Set	.....	SET17[2]

**Differential**

<b>1990</b>	(A404, A413, A470, A670, 31TH)	
Seal	.....	3459S[2]
Set	.....	SET11[2]
Kwik Slv (Opt Rpr)	.....	KWK99157[2]

**Selector Shaft Seal/Man. Shaft**

<b>1990</b>	(A404, A413, A470, A670, 31TH)	
Seal	.....	8609

**4-SPEED AUTOMATIC TRANSAXLE**

**Torque Converter**

<b>1990</b>	(A604, 41TE, 42LE)	
Seal	.....	331228H
Kwik Slv (Opt Rpr)	.....	KWK99149

**4-SPEED AUTOMATIC TRANSAXLE**

**Output Shaft**

<b>1990</b>	(A604)	
Set	.....	SET17[2]

**Selector Shaft Seal/Man. Shaft**

<b>1990</b>	(A604, 41TE)	
Seal	.....	8609

**5-SPEED MANUAL TRANSAXLE**

**Differential**

<b>1990</b>	(A465, A520, A523, A525, A543, A555, A568)	
Seal	.....	3459S[2]
Set	.....	SET11[2]
Kwik Slv (Opt Rpr)	.....	KWK99157[2]

**Input Shaft**

<b>1990</b>	(A465, A520, A523, A525, A543, A555, A568)	
Seal (Frt)	.....	3732S
Set (Frt)	.....	SET4
Kwik Slv (Opt Rpr)	.....	KWK99106
Set (Rr)	.....	SET5

**Selector Shaft Seal/Man. Shaft**

<b>1990</b>	(A465, A520, A523, A525, A543, A555, A568)	
Seal	.....	3816

**CRANKSHAFT FRONT SEAL**

**4 Cylinder**

<b>1990</b>	135/2.2L	
Seal Viton	.....	710056
Seal PTFE H/D Opt	.....	5279

**CRANKSHAFT REAR SEAL**

**4 Cylinder**

<b>1990</b>	135/2.2L	
Seal	.....	3655S
Kwik Slv (Opt Rpr)	.....	KWK99139

<sup>56</sup>Opt. Kit Incls, Seal 3948 & Sleeve

<sup>62</sup>Kit Incls, Hub & Brg, Seal, Mtg Bolts



# Bearings and Seals

Mfg./Year	Model & Location	Part No	Mfg./Year	Model & Location	Part No
-----------	------------------	---------	-----------	------------------	---------

## **DODGE - FRONT DRIVE - Intrepid**

### **FRONT WHEEL**

2004-1993  
Hub Assembly .....513089[2]

### **REAR WHEEL**

2004-1993 (ABS)  
Hub Assembly .....512029[2]  
1997-1993 (w/o ABS)  
Hub Assembly .....512030[2]

### **4-SPEED AUTOMATIC TRANSAXLE**

#### **Differential**

2004-1993 (A606, 42LE)  
Seal .....3459S[2]  
Set .....SET36[2]  
Kwik Slv (Opt Rpr) .....KWK99157[2]

#### **Torque Convertor**

2002-1993  
Seal .....331228H  
Kwik Slv (Opt Rpr) .....KWK99149

#### **Transfer Shaft**

2004-2000 (A606, 42LE)  
Cone/Cup (Inner) ..... M802048CP-M802011AP  
Cone/Cup (Outer) .....26131H-NP941813  
1999-1993 (A606, 42LE)  
Cone/Cup (Inner) ..... M802048CP-M802011AP  
Cone/Cup (Outer) .....26131H-26334

#### **Output Shaft**

1997-1993 (A606, 42LE)  
Cone/Cup (Outer) ..... JL69348-JL69310  
Cone/Cup (Inner) ..... LM300848-LM300811

### **CAMSHAFT SEAL**

#### **6 Cylinder**

2004-2000 215/3.5L  
Seal .....714655[2]  
Kwik Slv (Opt Rpr) .....KWK99112[2]  
2001-1998 3200cc/3.2L  
Seal .....714655  
Kwik Slv (Opt Rpr) .....KWK99112[2]  
1997-1993 215/3.5L  
Seal .....714655[2]  
Kwik Slv (Opt Rpr) .....KWK99112[2]

### **CRANKSHAFT FRONT SEAL**

#### **6 Cylinder**

2003-2000 215/3.5L  
Seal .....3638  
Kwik Slv (Opt Rpr) .....KWK99112  
1997-1993 201/3.3L, 215/3.5L  
Seal .....3638  
Kwik Slv (Opt Rpr) .....KWK99112

### **CRANKSHAFT REAR SEAL**

#### **6 Cylinder**

2004-1998 167/2.7L (DOHC)  
Seal Viton .....710056  
2003-2000 215/3.5L  
Seal Viton .....710056  
Seal PTFE H/D Opt .....5279  
2001-1998 3200cc/3.2L  
Seal Viton .....710056  
1997-1993 201/3.3L, 215/3.5L  
Seal Viton .....710056  
Seal PTFE H/D Opt .....5279

## **DODGE - FRONT DRIVE - Monaco**

### **FRONT WHEEL**

1992-1990  
Ball Bearing .....513144K[2]

### **REAR WHEEL**

1992-1991 (ABS)  
Hub Assembly .....513072[2]  
1991-1990 (w/o ABS)  
Hub Assembly .....513070[2]

### **4-SPEED AUTOMATIC TRANSAXLE**

#### **Torque Convertor**

1992-1990  
Seal .....320583  
Kwik Slv (Opt Rpr) .....KWK99157

### **4-SPEED AUTOMATIC TRANSAXLE**

#### **Output Shaft**

1992-1990 (ZF4HP 18)  
Seal (LH) .....224462  
Seal (RH) .....710422<sup>16</sup>  
1992-1990 (w/o ZF4HP 18)  
Seal .....223543[2]  
Kwik Slv (Opt Rpr) .....KWK99139[2]

### **CRANKSHAFT FRONT SEAL**

#### **6 Cylinder**

1992-1990 182/3.0L  
Seal Viton .....710196  
Kwik Slv (Opt Rpr) .....KWK99157

## **DODGE - FRONT DRIVE - Monaco (cont.)**

### **CRANKSHAFT REAR SEAL**

#### **6 Cylinder**

1992-1990	182/3.0L	
Seal	.....	228010
Kwik Slv (Opt Rpr)	.....	KWK99315

## **DODGE - FRONT DRIVE - Neon**

### **FRONT WHEEL**

2005-2002	
Set	..... SET49[2]
2001-2000	
Ball Bearing	..... 510057[2]
1999-1995	
Ball Bearing	..... 510032[2]
Hub Assembly 4 Studs	..... HA590181K[2]
Hub Assembly 5 Studs	..... HA590182K[2]

### **REAR WHEEL**

2005-2000	
Hub Assembly	..... 512167[2]
1999-1998 (ABS)	
Hub Assembly	..... 512013[2]
1997-1995 (4 Lug Whl)(ABS) & (w/o ABS)	
Hub Assembly	..... 512021[2]
1997-1995 (5 Lug Whl)(ABS) & (w/o ABS)	
Hub Assembly	..... 512023[2]

### **CLUTCH**

#### **Release Bearing**

2002-1995	
Bearing Assembly	..... 614121

### **3-SPEED AUTOMATIC TRANSAXLE**

#### **Torque Converter**

2002-1995	
Seal	..... 331228H
Kwik Slv (Opt Rpr)	..... KWK99149

#### **Transfer Shaft**

2001-1997 (A404 31TH)(Prod. from mid 1997 on)	
Cone/Cup (LH)	..... NP952605-JL69310P
Cone/Cup (RH)	..... NP952605-JL69310P
1997-1995 (A404 31TH)(Prod. thru mid 1997)	
Cone/Cup (LH)	..... JL69349CP-JL69310P
Cone/Cup (RH)	..... JL69349CP-JL69310P

### **3-SPEED AUTOMATIC TRANSAXLE**

#### **Output Shaft**

2001-1995 (A404 31TH)	
Cone/Cup (Outer)	..... L68149P-L68111P
Cone/Cup (Inner)	..... L68149P-L68111P

#### **Differential**

2001-1997 (A404 31TH)(Prod. from mid 1997 on)	
Seal (LH)	..... 3459S
Cone/Cup (LH)	..... NP889967-NP714580
Kwik Slv (Opt Rpr)	..... KWK99157[2]
Seal (RH)	..... 3459S
Cone/Cup (RH)	..... NP952605-JL69310P
Kwik Slv (Opt Rpr)	..... KWK99157[2]
1997-1996 (A404 31TH)(Prod. thru mid 1997)	
Seal (LH)	..... 3459S
Cone/Cup (LH)	..... NP889967-NP714580
Seal (RH)	..... 3459S
Cone/Cup (RH)	..... JL69348-JL69310
1995 (A404 31TH)	
Seal (LH)	..... 3459S
Cone/Cup (LH)	..... JL69349CP-JL69310P
Seal (RH)	..... 3459S
Cone/Cup (RH)	..... JL69349CP-JL69310P

#### **Selector Shaft Seal/Man. Shaft**

2001-1995	
Seal	..... 8609

### **4-SPEED AUTOMATIC TRANSAXLE**

#### **Differential**

2003-2002 (A604, 41TE)	
Cone/Cup (LH)	..... NP889967-NP714580
Cone/Cup (RH)	..... NP952605-JL69310P

#### **Transfer Shaft**

2003-2002 (A604, 41TE)	
Cone/Cup (LH)	..... NP853895-NP352518
Cone/Cup (RH)	..... NP716862-LM501310

# Bearings and Seals

Mfg./Year	Model & Location	Part No	Mfg./Year	Model & Location	Part No
-----------	------------------	---------	-----------	------------------	---------

## **DODGE - FRONT DRIVE - Neon (cont.)**

### **4-SPEED AUTOMATIC TRANSAXLE**

#### **Output Shaft**

<b>2003-2002</b> (A604, 41TE)	
Cone/Cup (LH) .....	NP117885-LM300811
Cone/Cup (RH) .....	NP952605-JL69310P

### **5-SPEED MANUAL TRANSAXLE**

#### **Differential**

<b>2002-1995</b>	
Seal .....	3459S[2]
Set .....	SET11[2]
Kwik Slv (Opt Rpr) .....	KWK99157[2]

#### **Output Shaft**

<b>2002-1995</b>	
Seal (LH) .....	3459S
Kwik Slv (Opt Rpr) .....	KWK99157
Seal (RH) .....	3459S
Kwik Slv (Opt Rpr) .....	KWK99157

### **CAMSHAFT SEAL**

#### **4 Cylinder**

<b>2004-1995</b> 122/2.0L	
Seal Viton .....	320249
Kwik Slv (Opt Rpr) .....	KWK99139

### **CRANKSHAFT FRONT SEAL**

#### **4 Cylinder**

<b>2002-1995</b> 122/2.0L	
Seal Viton .....	320348
Kwik Slv (Opt Rpr) .....	KWK99128

### **CRANKSHAFT REAR SEAL**

#### **4 Cylinder**

<b>2005-2003</b> 2429cc/2.4L (DOHC)	
Seal Viton .....	710056
<b>2004-1995</b> 1996cc/2.0L	
Seal Viton .....	710056
Seal PTFE H/D .....	5279

## **DODGE - FRONT DRIVE - Stratus**

### **FRONT WHEEL**

<b>2005-2001</b> Stratus Coupe ST	
Hub Assembly .....	513157[2]
<b>2005-2001</b> Stratus Sedan JA	
Hub Assembly .....	513138[2]
<b>2000-1995</b>	
Hub Assembly .....	513138[2]

### **REAR WHEEL**

<b>2006-1998</b> (ABS)(Sedan) JA	
Hub Assembly .....	512220[2]
<b>2006-1995</b> (w/o ABS)(Sedan) JA	
Hub Assembly .....	512154[2]
<b>2005-2001</b> (Coupe) ST	
Hub Assembly .....	HA590306[2] <sup>25</sup>
Bearing Module Opt .....	512136[2]
<b>1997-1995</b> (ABS)	
Hub Assembly .....	512133[2]

### **CLUTCH**

#### **Release Bearing**

<b>2002-1995</b> 4 Cyl.	
Bearing Assembly Self	
Aligning Assy. ....	614121

### **4-SPEED AUTOMATIC TRANSAXLE**

#### **Differential**

<b>2003-1997</b> (A604 41TE)(Prod. from mid 1997 on)	
Cone/Cup (LH) .....	NP889967-NP714580
Cone/Cup (RH) .....	NP952605-JL69310P
<b>1997-1996</b> (A604 41TE)(Prod. thru mid 1997)	
Cone/Cup (LH) .....	NP889967-NP714580
Cone/Cup (RH) .....	JL69348-JL69310
<b>1995</b> (A604 41TE)	
Cone/Cup .....	JL69348-JL69310[2]

#### **Torque Convertor**

<b>2003-1995</b> (41TE)	
Seal .....	331228H
Kwik Slv (Opt Rpr) .....	KWK99149

#### **Input Shaft**

<b>2002</b> Stratus Coupe 2.4L	
Needle Bearing .....	B1616

## **DODGE - FRONT DRIVE - Stratus (cont.)**

### **4-SPEED AUTOMATIC TRANSAXLE**

#### **Transfer Shaft**

<b>2003-2002</b> (A604, 41TE)	
Cone/Cup (Inner) .....	NP853895-NP352518
Cone/Cup (Outer) .....	NP716862-LM501310
<b>2001-1996</b> (A604, 41TE)	
Cone/Cup (Inner) .....	NP853895-NP352518
Set (Outer) .....	SET45
<b>1995</b> (A604, 41TE)	
Cone/Cup (Inner) .....	13687-13623X
Set (Outer) .....	SET45

#### **Output Shaft**

<b>2000-1997</b> (A604 41TE)(Prod. from mid 1997 on)	
Cone/Cup (Outer) .....	LM300848-LM300911
Cone/Cup (Inner) .....	NP952605-JL69310P
<b>1997-1995</b> (A604 41TE)(Prod. thru mid 1997)	
Cone/Cup (Outer) .....	LM300848-LM300811
Cone/Cup (Inner) .....	JL69348-JL69310

### **5-SPEED MANUAL TRANSAXLE**

#### **Differential**

<b>1998-1995</b>	
Set (RH) .....	SET11

#### **Output Shaft**

<b>1998-1995</b>	
Seal .....	3459S[2]
Kwik Slv (Opt Rpr) .....	KWK99157[2]

### **CAMSHAFT SEAL**

#### **4 Cylinder**

<b>2004-1995</b> 122/2.0L (SOHC), 148/2.4L (DOHC)	
Seal Viton .....	320249
Kwik Slv (Opt Rpr) .....	KWK99139

#### **6 Cylinder**

<b>2004-2001</b> 181/3.0L	
Seal .....	3771[2]
Kwik Slv (Opt Rpr) .....	KWK99139[2]
<b>2000-1995</b> 2497cc/2.5L	
Seal .....	3771[2]
Kwik Slv (Opt Rpr) .....	KWK99139[2]

### **CRANKSHAFT FRONT SEAL**

#### **4 Cylinder**

<b>2002-1995</b> 122/2.0L, 148/2.4L	
Seal Viton .....	320348
Kwik Slv (Opt Rpr) .....	KWK99128

#### **6 Cylinder**

<b>2002-2001</b> 181/3.0L	
Seal .....	223750
<b>2000-1995</b> 2497cc/2.5L	
Seal .....	223750

### **CRANKSHAFT REAR SEAL**

#### **4 Cylinder**

<b>2005-2001</b> 2350cc/2.4L (SOHC)	
Seal Viton .....	710235
<b>2002-1995</b> 122/2.0L, 148/2.4L	
Seal Viton .....	710056
Seal PTFE H/D Opt .....	5279

#### **6 Cylinder**

<b>2005-2001</b> 181/3.0L	
Seal Viton .....	710056
Seal PTFE H/D Opt .....	5279
<b>2000-1995</b> 2497cc/2.5L	
Seal Viton .....	229005
Seal PTFE H/D .....	5279

## **DODGE - REAR DRIVE - Charger, Magnum (New Style)**

### **FRONT WHEEL**

<b>2006-2005</b> Charger, Magnum (RWD)	
Hub Assembly .....	HA590030[2] <sup>25</sup>

### **REAR WHEEL**

<b>2006-2005</b>	
Hub Assembly .....	HA590031[2] <sup>25</sup>

### **REAR AXLE**

#### **Pinion**

<b>2005</b>	
Cone/Cup (Inner) .....	NP443760-NP564799

<sup>25</sup>New Item, Check For Availability

# Bearings and Seals

Mfg./Year	Model & Location	Part No	Mfg./Year	Model & Location	Part No
-----------	------------------	---------	-----------	------------------	---------

## **DODGE - REAR DRIVE - Charger, Magnum (New Style) (cont.)**

### **CAMSHAFT SEAL**

#### **6 Cylinder**

2005	215/3.5L	
Seal	.....	714655

### **CRANKSHAFT FRONT SEAL**

#### **6 Cylinder**

2005	215/3.5L	
Seal	.....	3638

## **DODGE - REAR DRIVE - Viper GTS Coupe, Viper RT/10**

### **FRONT WHEEL**

<b>2005-1996</b>		
Hub Assembly	.....	513132[2]
<b>1995-1992</b>		
Hub Assembly	.....	513109[2]

### **REAR WHEEL**

<b>2005-1996</b>		
Hub Assembly	.....	513132[2]
<b>1995-1992</b>		
Hub Assembly	.....	513109[2]

### **REAR AXLE**

#### **Axle Shaft**

<b>2002-1992</b>	(Spicer 44)	
Needle Bearing	.....	B2412[2]

#### **Differential Rebuild Kit**

<b>2000-1992</b>	(Dana/Spicer 44 Ser.)	
Kit	.....	DRK339A

#### **Differential**

<b>2005-1992</b>	(Dana/Spicer 44 Ser.)	
Seal Viton	.....	473227V[2]
Set	.....	SET36[2]

#### **Pinion**

<b>2005-2001</b>	(Dana/Spicer 44 Ser.)	
Cone/Cup (Inner)	.....	M802048-M802011
Seal Viton (Outer)	.....	100715V
Cone/Cup (Outer)	.....	M88048-M88010
<b>2000-1992</b>	(Dana/Spicer 44 Ser.)	
Cone/Cup (Inner)	.....	M802048-M802011
Seal (Outer)	.....	9316
Cone/Cup (Outer)	.....	M88048-M88010

### **TRANSMISSION REBUILD KIT**

<b>2002-1992</b>		
Kit	.....	TRK56

### **CLUTCH**

#### **Pilot Bearing**

<b>2002-1992</b>		
Needle Bearing	.....	SCE1211

### **CLUTCH**

#### **Release Bearing**

<b>2002-1992</b>	8.0 V10	
Bearing Assembly	.....	614061

### **6-SPEED MANUAL TRANSMISSION**

#### **Main Shaft**

<b>2002-1992</b>	(Fr. main shaft)	
Seal	.....	7412S
Cone/Cup	.....	M88048-M88010
<b>2002-1992</b>	(Main shaft pocket)	
Seal	.....	7300S
Set	.....	SET16
<b>2002-1992</b>	(Rr. main shaft)	
Cone/Cup	.....	25572-25520

#### **Countershaft**

<b>2002-1992</b>	(Fr. C/S)	
Set	.....	SET5
<b>2002-1992</b>	(Middle C/S)	
Bearing Assembly	.....	32008XM
<b>2002-1992</b>	(Rr. C/S)	
Set	.....	SET16

### **CRANKSHAFT FRONT SEAL**

#### **10 Cylinder**

<b>2002-1994</b>	488/8.0L	
Seal	.....	471424
Kwik Slv (Opt Rpr)	.....	KWK99199
Harmonic Balancer Slv	.....	88199

### **CRANKSHAFT REAR SEAL**

#### **10 Cylinder**

<b>2002-1994</b>	488/8.0L	
Seal	.....	328039

## FRONT WHEEL

<b>1996-1991</b>	Stealth (w/o AWD)	
	Seal (Inner) .....	710182[2]
	Ball Bearing (Inner) .....	510034[2]
	Seal (Outer) .....	710183[2]
<b>1996-1991</b>	Stealth R/T (AWD)	
	Hub Assembly .....	513133[2]
<b>1995-1993</b>	Colt	
	Seal (Inner) .....	8430S[2]
	Ball Bearing (Inner) .....	510016[2]
	Seal (Outer) .....	4898[2]
<b>1992-1990</b>	Colt	
	Seal (Inner) .....	474134[2]
	Set (Inner) .....	SET41[2]
	Set (Outer) .....	SET41[2]
<b>1991-1990</b>	2000 GTX (Canada only)	
	Seal .....	225230[2]
	Ball Bearing .....	513036[2]
<b>1991-1990</b>	Colt Vista (4WD)	
	Seal (Inner) .....	225450[2]
	Ball Bearing (Inner) .....	513036[2]
	Seal (Outer) .....	225230[2]
<b>1991-1990</b>	Colt Vista (2WD)	
	Seal (Inner) .....	474134[2]
	Set (Inner) .....	SET41[2]
	Seal (Outer) .....	474134[2]
	Set (Outer) .....	SET41[2]

## REAR WHEEL

<b>1996-1993</b>	Colt (ABS)	
	Hub Assembly .....	512033[2]
<b>1996-1993</b>	Colt (w/o ABS)	
	Hub Assembly .....	512148[2]
<b>1996-1992</b>	Stealth (FWD)	
	Hub Assembly .....	512039[2]
<b>1996-1991</b>	Stealth R/T (AWD)	
	Seal (Inner) .....	710152[2]
	Ball Bearing (Inner) .....	511014[2]
	Ball Bearing (Outer) .....	511015[2]
<b>1993-1990</b>	Colt Wagon (4WD)	
	Seal (Inner) .....	1205N[2]
	Bearing Assembly (Inne .....	513029[2]
	Bearing Assembly (Outer) .....	513029[2]
<b>1992-1991</b>	Colt (Drum Brks.)	
	Seal (Inner) .....	1205N[2]
	Bearing Assembly (Inne .....	516001WB[2]
	Bearing Assembly (Outer) .....	516001WB[2]
<b>1992-1990</b>	2000 GTX	
	Seal (Inner) .....	1196[2]
	Set (Inner) .....	SET4[2]
	Set (Outer) .....	SET1[2]
<b>1991-1990</b>	Colt Vista (4WD)	
	Seal (Inner) .....	1196[2]
	Set (Inner) .....	SET4[2]
	Set (Outer) .....	SET1[2]
<b>1991-1990</b>	Colt Vista (FWD)	
	Seal (Inner) .....	1196[2]
	Set (Inner) .....	SET4[2]
	Set (Outer) .....	SET1[2]

## REAR WHEEL (cont.)

<b>1990</b>	Colt (4Dr.)	
	Seal (Inner) .....	1205N[2]
	Bearing Assembly (Inne .....	513029[2]
	Bearing Assembly (Outer) .....	513029[2]
<b>1990</b>	Colt (Disc Brks.)(2Dr.)	
	Seal (Inner) .....	1205N[2]
	Bearing Assembly (Inne .....	516000[2]
	Bearing Assembly (Outer) .....	516000[2]
<b>1990</b>	Colt (Drum Brks.)(2Dr.)	
	Seal (Inner) .....	1205N[2]
	Bearing Assembly (Inne .....	516001WB[2]
	Bearing Assembly (Outer) .....	516001WB[2]

## CLUTCH

### Release Bearing

<b>1996-1990</b>	Stealth	
	Bearing Assembly .....	614126
<b>1992-1990</b>	Colt (FWD)(w/o (4WD)	
	Bearing Assembly .....	614126
<b>1990</b>	Colt Vista (FWD)(w/o (4WD)	
	Bearing Assembly .....	614126

## 3-SPEED AUTOMATIC TRANSAXLE

### Torque Converter

<b>1996-1990</b>		
	Seal .....	320583
	Kwik Slv (Opt Rpr) .....	KWK99157

### Output Shaft

<b>1996-1990</b>		
	Seal .....	223543[2]
	Kwik Slv (Opt Rpr) .....	KWK99139[2]

### Differential

<b>1996-1990</b>	(w/o KM172 0, KM172 5)	
	Ball Bearing .....	207[2]
<b>1990</b>	(KM172 0, KM172 5)	
	Bearing Assembly .....	30207M[2]

## 4-SPEED AUTOMATIC TRANSAXLE

### Differential

<b>1996-1990</b>	(F4A21 2, F4A22 2, F4A33 1, KM176 5)	
	Ball Bearing .....	207
<b>1992-1990</b>	(ZF4HP 18)	
	Cone/Cup (LH) .....	LM806649-LM806610
	Cone/Cup (RH) .....	LM300849-LM300811

# Bearings and Seals

Mfg./Year	Model & Location	Part No	Mfg./Year	Model & Location	Part No
<b><i>DODGE IMPORT - see also Mitsubishi - Colt, Stealth (cont.)</i></b>					

## 4-SPEED AUTOMATIC TRANSAXLE

### Torque Converter

1996-1990 (w/o ZF4HP 18, 41TE)	
Seal	320583
Kwik Slv (Opt Rpr)	KWK99157
1992-1990 (ZF4HP 18)	
Seal	224510
Kwik Slv (Opt Rpr)	KWK99177

### Output Shaft

1996-1993 (F4A21 2, F4A22 2)	
Seal	223543[2]
Kwik Slv (Opt Rpr)	KWK99139[2]
1996-1993 (F4A33 1)	
Seal Viton	710259[2]
1996-1992 (W4A32 1)	
Seal (LH)	223543
Kwik Slv (Opt Rpr)	KWK99139
Seal (RH)	710199
Kwik Slv (Opt Rpr)	KWK99139
1992-1990 (F4A21 2, F4A22 2, F4A33 1, KM176 5)	
Seal	223543[2]
Kwik Slv (Opt Rpr)	KWK99139[2]
1992-1990 (ZF4HP 18)	
Seal (LH)	224462
Seal (RH)	710422 <sup>16</sup>

## 4-SPEED MANUAL TRANSAXLE

### Differential

1992-1990 (F4M21 1)	
Ball Bearing	207[2]

### Input Shaft

1992-1990 (F4M21 1, KM200 0)	
Seal Viton	712007
Kwik Slv (Opt Rpr)	KWK99098

### Output Shaft

1992-1990 (F4M21 1, KM200 0)	
Seal	223543[2]
Bearing Assembly	30206M[2]
Kwik Slv (Opt Rpr)	KWK99139[2]

### Selector Shaft Seal/Man. Shaft

1992-1990 (KM160 2)	
Seal	710222

## 5-SPEED MANUAL TRANSAXLE

### Differential

1996-1990 (KM182 2, F5M22 2, KM182 0, KM206 0, KM221 1)	
Bearing Assembly	30207M[2]
1996-1990 (F5M21 1, F5M21 2, W5M31 2, W5M33 2, KM162 0, KM162 0, KM163 0, KM201 0)	
Ball Bearing	207[2]
1994-1991 (Getrag)	
Seal	710353[2]

### Input Shaft

1996-1990 (F5M21 1, F5M21 2, F5M22 2, F5M33 2W5M31 2, W5M33 2)	
Seal Viton	712007
Kwik Slv (Opt Rpr)	KWK99098
1994-1991 (Getrag)	
Seal Viton	712007
Kwik Slv (Opt Rpr)	KWK99098
1991-1990 (KM182 2, KM182 0, KM221 1)	
Seal Viton (Center)	712007
Ball Bearing (Center)	304WB
Bearing Assembly (Rr)	30304
Kwik Slv (Opt Rpr)	KWK99098

### Output Shaft

1996-1992 (W5M33 2)	
Seal (LH)	223543
Kwik Slv (Opt Rpr)	KWK99139
Seal (RH)	710199
Kwik Slv (Opt Rpr)	KWK99139
1996-1990 (F5M21 1, F5M21 2, F5M22 2, KM201 0, KM206 0)	
Seal	223543[2]
Bearing Assembly	30206M[2]
Kwik Slv (Opt Rpr)	KWK99139[2]
1996-1990 (KM182 2, KM162 0, KM163 0, KM221 1, F5M31 2, F5M33 2)	
Seal	223543[2]
Kwik Slv (Opt Rpr)	KWK99139[2]
1994-1993 (Getrag)	
Seal Viton	710259[2]
1993-1992 (W5M31 2)	
Seal (LH)	223543
Kwik Slv (Opt Rpr)	KWK99139
Seal (RH)	1981
Kwik Slv (Opt Rpr)	KWK99114
1992-1991 (Getrag)	
Seal	223543[2]
Kwik Slv (Opt Rpr)	KWK99139[2]

## 6-SPEED MANUAL TRANSAXLE

### Input Shaft

1996-1995 (Getrag)	
Seal Viton	712007
Kwik Slv (Opt Rpr)	KWK99098

### Output Shaft

1996-1995 (Getrag)	
Seal Viton	710259[2]

## DRIVESHAFT SUPPORT

1991-1990 Colt Vista (AWD)	
Hanger Brg Assy	HB25

Mfg./Year	Model & Location	Part No	Mfg./Year	Model & Location	Part No
<b>DODGE IMPORT - see also Mitsubishi - Colt, Stealth (cont.)</b>					

**CAMSHAFT SEAL**

**4 Cylinder**

1996-1990  
 Seal .....3771[2]  
 Kwik Slv (Opt Rpr) .....KWK99139[2]

**6 Cylinder**

1996-1991 2972cc/3.0L  
 Seal .....3771[2]  
 Kwik Slv (Opt Rpr) .....KWK99139[2]  
 1996-1991 2972cc/3.0L (DOHC)  
 Seal (Frt) .....223010[2]  
 Seal (Rr) .....710302[2]  
 Kwik Slv (Opt Rpr) .....KWK99114[4]

**CRANKSHAFT FRONT SEAL**

**4 Cylinder**

1996-1992 1834cc/1.8L  
 Seal .....223750  
 Kwik Slv (Opt Rpr) .....KWK99145  
 1996-1990 1595cc/1.6L (DOHC),  
 1597cc/1.6L, 1755cc/1.8L,  
 1997cc/2.0L, 2351cc/2.4L  
 Seal .....224460  
 1995-1990 1468cc/1.5L  
 Seal .....223018  
 Kwik Slv (Opt Rpr) .....KWK99114

**CRANKSHAFT FRONT SEAL**

**6 Cylinder**

1996-1991 2972cc/3.0L  
 Seal .....223750  
 1992-1990 2970cc/3.0L  
 Seal Viton .....710196  
 Kwik Slv (Opt Rpr) .....KWK99157

**CRANKSHAFT REAR SEAL**

**4 Cylinder**

1996-1990 1595cc/1.6L (DOHC),  
 1597cc/1.6L, 1755cc/1.8L,  
 1997cc/2.0L, 2351cc/2.4L  
 Seal Viton .....228005  
 Kwik Slv (Opt Rpr) .....KWK99315

**6 Cylinder**

1996-1991 2972cc/3.0L  
 Seal Viton .....710056  
 Seal PTFE H/D Opt .....5279  
 1992-1990 2970cc/3.0L  
 Seal .....228010  
 Kwik Slv (Opt Rpr) .....KWK99315

**DODGE TRUCK - MINIVAN, AWD MINIVAN - Caravan, Grand Caravan**

**FRONT WHEEL**

2006-2001  
 Hub Assembly .....513123[2]  
 2000-1996 (14" Whl.)  
 Hub Assembly .....513122[2]  
 2000-1996 (15" Whl.)  
 Hub Assembly .....513123[2]  
 1995-1991 (14" Whl.)  
 Hub Assembly .....513075[2]  
 1995-1990 (15" Whl.)  
 Hub Assembly .....513074[2]<sup>44</sup>  
 1990 (14" Whl.)(4 Lug Whl)  
 Seal .....5604[2]<sup>56</sup>  
 Ball Bearing .....513006[2]  
 Hub Assembly Opt Bol  
 On 4 Lug .....518501[2]<sup>62</sup>  
 1990 (14" Whl.)(5 Lug Whl.)  
 Seal .....5604[2]<sup>56</sup>  
 Ball Bearing .....513006[2]  
 Hub Assembly Opt Bol  
 On 5 Lug .....518502[2]<sup>62</sup>

**REAR WHEEL**

2005-2002 (ABS)(Disc Brks.)  
 Hub Assembly .....512169[2]  
 2005-2002 (w/o ABS)(Disc Brks.)  
 Hub Assembly .....512170[2]  
 2005-2001 (ABS)(Drum Brks.)  
 Hub Assembly .....512169[2]

**REAR WHEEL (cont.)**

2005-2001 (w/o ABS)(Drum Brks.)  
 Hub Assembly .....512170[2]  
 2000-1996 (14" Whl)  
 Hub Assembly .....512155[2]  
 2000-1996 (15" & 16" Whl.)  
 Hub Assembly .....512156[2]  
 1995-1990  
 Seal (Inner) .....4249[2]  
 Set (Inner) .....SET17[2]  
 Set (Outer) .....SET16[2]

**4WD/AWD**

2006-2005 Caravan  
 Hub Assembly .....512169[2]  
 2004-1996  
 Hub Assembly .....512157[2]  
 1995-1991  
 Hub Assembly .....512125[2]

**FRONT AXLE**

**Differential**

1999-1994 (AWD)  
 Cone/Cup .....JL69349H-JL69310[2]

<sup>44</sup>Brg Flg Has Threaded Mtg Holes Seal, Mtg Bolts

<sup>56</sup>Opt. Kit Incls, Seal 3948 & Sleeve

<sup>62</sup>Kit Incls, Hub & Brg,



# Bearings and Seals

Mfg./Year	Model & Location	Part No	Mfg./Year	Model & Location	Part No
<b><i>DODGE TRUCK - MINIVAN, AWD MINIVAN - Caravan, Grand Caravan (cont.)</i></b>					

## FRONT AXLE

### Pinion

<b>1999-1994</b> (AWD)	
Set (Inner) .....	SET45
Set (Outer) .....	SET17

## AWD REAR AXLE

### Differential

<b>2002-1994</b>	
Cone/Cup .....	JL69349H-JL69310[2]

### Pinion

<b>2002-1994</b>	
Set (Inner) .....	SET45
Set (Outer) .....	SET17

## CLUTCH

### Release Bearing

<b>1994-1990</b> 4 Cyl.	
Bearing Assembly Self	
Aligning Assy. ....	614092

## 3-SPEED AUTOMATIC TRANSAXLE

### Torque Converter

<b>2002-1990</b>	
Seal .....	331228H
Kwik Slv (Opt Rpr) .....	KWK99149

### Transfer Shaft

<b>2002-1997</b> (A404 31TH)(Prod. from mid 1997 on)	
Cone/Cup (LH) .....	NP952605-JL69310P
Cone/Cup (RH) .....	NP952605-JL69310P
<b>1997-1992</b> (A404 31TH)(Prod. thru mid 1997)	
Cone/Cup (LH) .....	JL69349CP-JL69310P
Cone/Cup (RH) .....	JL69349CP-JL69310P
<b>1991-1990</b> (A404)	
Cone/Cup (LH) .....	JL69349H-JL69310
Cone/Cup (RH) .....	JL69349H-JL69310

### Output Shaft

<b>2002-1992</b> (A404 31TH)	
Seal (LH) .....	3459S
Cone/Cup (LH) .....	L68149P-L68111P
Seal (RH) .....	3459S
Cone/Cup (RH) .....	L68149P-L68111P
<b>1991-1990</b> (A404 31TH, A413)	
Seal .....	3459S[2]
Set .....	SET17[2]

## 3-SPEED AUTOMATIC TRANSAXLE

### Differential

<b>2003-1997</b> (A404 31TH)(Prod. from mid 1997 on)	
Seal (LH) .....	3459S
Cone/Cup (LH) .....	NP889967-NP714580
Seal (RH) .....	3459S
Cone/Cup (RH) .....	NP952605-JL69310P
<b>1997-1996</b> (A404 31TH)(Prod. thru mid 1997)	
Seal (LH) .....	3459S
Cone/Cup (LH) .....	NP889967-NP714580
Seal (RH) .....	3459S
Cone/Cup (RH) .....	JL69348-JL69310
<b>1995-1992</b> (A404 31TH)	
Seal .....	3459S[2]
Cone/Cup .....	JL69349CP-JL69310[2]
<b>1991-1990</b> (A404)	
Seal .....	3459S[2]
Cone/Cup .....	JL69349H-JL69310[2]

### Selector Shaft Seal/Man. Shaft

<b>2001-1990</b>	
Seal .....	8609

## 4-SPEED AUTOMATIC TRANSAXLE

### Differential

<b>2004-1997</b> (A604 41TE)(AWD)(Prod. from mid 1997 on)	
Cone/Cup (LH) .....	NP889967-NP714580
Cone/Cup (RH) .....	LM503349-LM503310
<b>2004-1997</b> (A604 41TE)(Prod. from mid 1997 on)	
Cone/Cup (LH) .....	NP889967-NP714580
Cone/Cup (RH) .....	NP952605-JL69310P
<b>1997</b> (A604 41TE)(AWD)(Prod. thru mid 1997)	
Cone/Cup (LH) .....	NP889967-NP714580
Cone/Cup (RH) .....	JL69348-JL69310
<b>1997-1996</b> (A604 41TE)(Prod. thru mid 1997)	
Cone/Cup (LH) .....	NP889967-NP714580
Cone/Cup (RH) .....	JL69348-JL69310
<b>1995-1994</b> (A604 41TE)(AWD)	
Cone/Cup (LH) .....	JL69349-JL69310
Cone/Cup (RH) .....	LM503349-LM503310
<b>1995-1991</b> (A604 41TE)	
Cone/Cup .....	JL69348-JL69310[2]
<b>1993-1991</b> (A604 41TE)(AWD)	
Cone/Cup (LH) .....	JL69348-JL69310
Cone (RH) .....	LM503349
<b>1991-1990</b> (A604, A670)	
Set .....	SET11[2]

## 4-SPEED AUTOMATIC TRANSAXLE

### Torque Converter

2002-1990  
 Seal ..... 331228H  
 Kwik Slv (Opt Rpr) .....KWK99149

### Transfer Shaft

2004-2002 (A604, 41TE)  
 Cone/Cup (LH) ..... NP853895-NP352518  
 Cone/Cup (RH) ..... NP716862-LM501310  
 2001-1996 (A604, 41TE)  
 Cone/Cup (Inner) .....NP853895-NP352518  
 Set (Outer) ..... SET45  
 1995-1991 (A604, 41TE)  
 Cone/Cup (Inner) ..... 13687-13623X  
 Set (Outer) ..... SET45  
 1991-1990 (A604, A670)  
 Set ..... SET11[2]

### Output Shaft

2000-1997 (A604 41TE)(AWD)(Prod. from mid 1997 on)  
 Seal (Outer) ..... 3459S  
 Cone/Cup (Outer) ..... LM300848-LM300911  
 Cone/Cup (Inner) .....NP952605-JL69310P  
 2000-1997 (A604 41TE)(Prod. from mid 1997 on)  
 Seal (Outer) ..... 3459S  
 Cone/Cup (Outer) ..... LM300848-LM300911  
 Cone/Cup (Inner) .....NP952605-JL69310P  
 1997-1991 (A604 41TE)(AWD)(Prod. thru mid 1997)  
 Seal (Outer) ..... 3459S  
 Cone/Cup (Outer) ..... LM300848-LM300811  
 Cone/Cup (Inner) ..... JL69348-JL69310  
 1997-1991 (A604 41TE)(Prod. thru mid 1997)  
 Seal (Outer) ..... 3459S  
 Cone/Cup (Outer) ..... LM300848-LM300811  
 Cone/Cup (Inner) ..... JL69348-JL69310  
 1990 (A604, A670)  
 Seal ..... 3459S[2]  
 Set ..... SET17[2]

### Selector Shaft Seal/Man. Shaft

2002-1990  
 Seal .....8609

## 5-SPEED MANUAL TRANSAXLE

### Differential

1995-1990 (A465, A520, A523, A525, A555)  
 Seal ..... 3459S[2]  
 Set ..... SET11[2]  
 Kwik Slv (Opt Rpr) .....KWK99157[2]

## 5-SPEED MANUAL TRANSAXLE

### Input Shaft

1995-1990 (A465, A520, A523, A525, A555)  
 Seal (Frnt) ..... 3732S  
 Set (Frnt) ..... SET4  
 Set (Rr) ..... SET5

### Selector Shaft Seal/Man. Shaft

1992-1990 (A465, A520, A523, A525, A555)  
 Seal ..... 3816

## CAMSHAFT SEAL

### 4 Cylinder

2005-1996 148/2.4L (DOHC)  
 Seal Viton ..... 320249[2]  
 Kwik Slv (Opt Rpr) .....KWK99139[2]  
 1995-1990 153/2.5L  
 Seal ..... 3655S  
 Kwik Slv (Opt Rpr) .....KWK99139

### 6 Cylinder

2000-1990 181/3.0L  
 Seal ..... 3771[2]  
 Kwik Slv (Opt Rpr) .....KWK99139[2]

## CRANKSHAFT FRONT SEAL

### 4 Cylinder

2005-1996 148/2.4L  
 Seal Viton ..... 320348  
 Kwik Slv (Opt Rpr) .....KWK99128  
 1995-1990 153/2.5L  
 Seal ..... 3638  
 Kwik Slv (Opt Rpr) .....KWK99112

### 6 Cylinder

2002-1990 201/3.3L, 230/3.8L  
 Seal ..... 3638  
 Kwik Slv (Opt Rpr) .....KWK99112  
 2000-1990 181/3.0L  
 Seal ..... 223750

## CRANKSHAFT REAR SEAL

### 4 Cylinder

2005-1990 135/2.2L, 148/2.4L, 153/2.5L  
 Seal Viton ..... 710056  
 Seal PTFE H/D Opt ..... 5279

### 6 Cylinder

2005-2003 201/3.3L  
 Seal Viton ..... 710056  
 2000-1990 181/3.0L, 201/3.3L, 231/3.8L,  
 Seal Viton ..... 710056  
 Seal PTFE H/D Opt ..... 5279

# Bearings and Seals

Mfg./Year    Model & Location    Part No    Mfg./Year    Model & Location    Part No

## **DODGE - LIGHT TRUCK - Ram 50**

### **FRONT WHEEL**

#### **2WD**

**1993-1990**  
 Seal (Inner) ..... 225010[2]  
 Set (Inner) ..... SET5[2]  
 Set (Outer) ..... SET3[2]

#### **4WD/AWD**

**1993-1990**  
 Seal (Inner) ..... 225875[2]  
 Set (Inner) ..... SET47[2]  
 Set (Outer) ..... SET47[2]

### **REAR WHEEL**

**1993-1990**  
 Seal (Inner) ..... 4989[2]  
 Seal (Outer) ..... 225110[2]  
 Bearing Assembly  
 (Outer) ..... 30208M[2]

### **4WD FRONT AXLE**

#### **Differential**

**1993-1990** 6 Cyl.  
 Seal ..... 710151[2]  
 Cone/Cup ..... 17887-17831[2]  
**1993-1990** 4 Cyl.  
 Seal ..... 710335[2]  
 Cone/Cup ..... 17887-17831[2]

#### **Pinion**

**1993-1991** 6 Cyl.  
 Cone/Cup (Inner) ..... HM89449-HM89410  
 Seal (Outer) ..... 224570  
 Cone/Cup (Outer) ..... M88043-M88010  
**1993-1990** 4 Cyl.  
 Cone/Cup (Inner) ..... HM89449-HM89410  
 Seal (Outer) ..... 224255  
 Cone/Cup (Outer) ..... M86649-M86610  
**1990** 6 Cyl.  
 Cone/Cup (Inner) ..... HM89449-HM89410  
 Seal (Outer) ..... 1943  
 Cone/Cup (Outer) ..... M88043-M88010

#### **Steering Knuckle**

**1993-1990**  
 Seal ..... 710146[2]

### **REAR AXLE**

#### **Differential**

**1993-1990**  
 Cone/Cup ..... 17887-17831[2]

### **REAR AXLE**

#### **Pinion**

**1993-1990** 4 Cyl.  
 Cone/Cup (Inner) ..... HM89449-HM89410  
 Seal (Outer) ..... 224570  
 Cone/Cup (Outer) ..... M88043-M88010  
 Kwik Slv (Opt Rpr) ..... KWK99177  
**1993-1990** 6 Cyl.  
 Cone/Cup (Inner) ..... HM89249-HM89210  
 Seal (Outer) ..... 224570  
 Cone/Cup (Outer) ..... M88043-M88010  
 Kwik Slv (Opt Rpr) ..... KWK99177

### **TRANSFER CASE**

#### **Input Shaft**

**1993-1990** (V4AC1 2, V5M21 2)  
 Seal ..... 1992  
 Ball Bearing ..... 5209W  
 Kwik Slv (Opt Rpr) ..... KWK99177  
**1993-1990** (V5MT1 2)  
 Seal ..... 224560  
 Ball Bearing ..... 5209W  
 Kwik Slv (Opt Rpr) ..... KWK99177

#### **Front Output Shaft**

**1993-1990**  
 Seal ..... 223608  
 Ball Bearing ..... 306TB[2]  
 Kwik Slv (Opt Rpr) ..... KWK99146

#### **Rear Output Shaft**

**1993-1990**  
 Seal ..... 224052  
 Ball Bearing ..... 211TB  
 Kwik Slv (Opt Rpr) ..... KWK99157

### **4-SPEED AUTOMATIC TRANSMISSION**

#### **Torque Converter**

**1993-1990** (A500)  
 Seal ..... 331228H  
 Kwik Slv (Opt Rpr) ..... KWK99149

#### **Rear Seal/Ext. Housing**

**1993-1990** (A500)(2wd)  
 Seal ..... 7300S  
 Ball Bearing ..... 207XLO  
 Seal Kit ..... 5206<sup>64</sup>  
**1993-1990** (A500)(4WD)  
 Seal ..... 710058  
 Ball Bearing ..... 207XLO

#### **Selector Shaft Seal/Man. Shaft**

**1993-1990** (A500)  
 Seal ..... 8609

Mfg./Year	Model & Location	Part No	Mfg./Year	Model & Location	Part No
<b>DODGE - LIGHT TRUCK - Ram 50 (cont.)</b>					

**CLUTCH**

**Pilot Bearing**

1992-1990	6 Cyl.	
	Ball Bearing	203FF
1992-1990	4 Cyl.	
	Ball Bearing	102CC

**Release Bearing**

1993-1990	Raider 4 Cyl. w/o 2.6 L. 4 Cyl. (Hyd. Mechanism)	
	Bearing Assembly	614016
1992-1990	Raider 6 Cyl.	
	Bearing Assembly	614107
1992-1990	50 Ser. Trucks 6 Cyl.	
	Bearing Assembly	614107
1992-1990	50 Ser. Trucks 4 Cyl.(w/o 2.6 L. 4 Cyl.)(Hyd. Mechanism)	
	Bearing Assembly	614016

**5-SPEED MANUAL TRANSMISSION**

**Front Input Shaft**

1993-1990	(M1S5)	
	Seal	223255
	Kwik Slv (Opt Rpr)	KWK99128
1993-1990	(w/o KM119, M1S5)	
	Seal	223014
	Ball Bearing	307L
	Kwik Slv (Opt Rpr)	KWK99114

**Rear Output Shaft**

1993-1990	9KM132 1, KM145 8, KM145 9)	
	Seal	223608
	Ball Bearing	511014

**DRIVESHAFT SUPPORT**

1993-1990	Power Ram 50	
	Hanger Brg Assy	HB30
1992-1990	Ram 50	
	Hanger Brg Assy	HB22

**CAMSHAFT SEAL**

**4 Cylinder**

1993-1990	1997cc/2.0L, 2346cc/2.3L, 2350cc/2.4L	
	Seal	3771
	Kwik Slv (Opt Rpr)	KWK99139

**6 Cylinder**

1993-1990	2972cc/3.0L	
	Seal	3771
	Kwik Slv (Opt Rpr)	KWK99139

**CRANKSHAFT FRONT SEAL**

**6 Cylinder**

1991-1990	2972cc/3.0L	
	Seal	223750

**CRANKSHAFT REAR SEAL**

**4 Cylinder**

1993-1990	1997cc/2.0L, 2346cc/2.3L, 2350cc/2.4L, 2555cc/2.6L	
	Seal Viton	228005
	Kwik Slv (Opt Rpr)	KWK99315

**6 Cylinder**

1991-1990	2972cc/3.0L	
	Seal Viton	229005
	Kwik Slv (Opt Rpr)	KWK99354

**DODGE TRUCK - 1/2 TON - B150, B1500 VANS, D150 PICKUP, Dakota, Durango, Ram 1500 PICKUP, Ram 1500 VAN, Ramcharger, W150 PICKUP**

**FRONT WHEEL**

**2WD**

2006-2005	Dakota (4 Whl. ABS)	
	Hub Assembly	HA590035[2] <sup>25</sup>
2006-2005	Dakota (Rr Whl. ABS)	
	Hub Assembly	HA590034[2] <sup>25</sup>
2006-2004	Durango (4 Whl. ABS)	
	Hub Assembly	HA590033[2] <sup>25</sup>
2005-2002	R1500 Ser. (4 Whl. ABS)	
	Hub Assembly	SP500100[2] <sup>40</sup>
2005-2002	R1500 Ser. (Rr. Whl. ABS)	
	Hub Assembly	HA500100[2]

**FRONT WHEEL (cont.)**

**2WD (cont.)**

2004-1997	Dakota (4 Whl. ABS)	
	Hub Assembly	HA599406[2]
	Set Opt Tapered Roller Brg.	SET815[2]
2004-1997	Dakota (Rr Whl. ABS)	
	Hub Assembly	HA599528[2]
	Set	SET815[2]

<sup>25</sup>New Item, Check For Availability

<sup>40</sup>5 Lug. Incls Sensor Cable

# Bearings and Seals

Mfg./Year    Model & Location    Part No    Mfg./Year    Model & Location    Part No

---

**DODGE TRUCK - 1/2 TON - B150, B1500 VANS, D150 PICKUP, Dakota, Durango, Ram 1500 PICKUP, Ram 1500 VAN, Ramcharger, W150 PICKUP (cont.)**

---

## FRONT WHEEL (cont.)

### 2WD (cont.)

<b>2003-1998</b> B150 B1500	
Seal (Inner) .....	3087[2]
Cone/Cup (Inner) .....	NP952605-JL69310P[2]
Set (Outer) .....	SET16[2]
<b>2003-1998</b> Durango (4 Whl. ABS)	
Hub Assembly .....	HA599406[2]
Set Opt Tapered Roller Brg. ....	SET815[2]
<b>2003-1998</b> Durango (Rr. Whl. ABS)	
Hub Assembly .....	HA599528[2]
Set Opt Tapered Roller Brg. ....	SET815[2]
<b>2001-2000</b> R1500 Ser.	
Hub Assembly .....	HA590001[2]
Set Opt Tapered Roller Brg. ....	SET815[2]
<b>1999-1994</b> R1500 Ser.	
Seal (Inner) .....	4739[2]
Set (Inner) .....	SET5[2]
Set (Outer) .....	SET3[2]
<b>1997-1994</b> B150 B1500	
Seal (Inner) .....	3087[2]
Cone/Cup (Inner) .....	NP952605-JL69310P[2]
Set (Outer) .....	SET16[2]
<b>1996-1990</b> Dakota	
Seal (Inner) .....	3087[2]
Set (Inner) .....	SET11[2]
Set (Outer) .....	SET16[2]
<b>1993-1990</b> (5 Lug Whl.)	
Seal (Inner) .....	3087[2]
Set (Inner) .....	SET11[2]
Set (Outer) .....	SET16[2]
<b>1993-1990</b> (8 Lug Whl.)	
Seal (Inner) .....	493291[2]
Set (Inner) .....	SET45[2]
Cone/Cup (Outer) .....	15101-15245[2]

### 4WD/AWD

<b>2006-2005</b> Dakota (4 Whl. ABS)	
Hub Assembly .....	HA590035[2] <sup>25</sup>
<b>2006-2005</b> Dakota (Rr Whl. ABS)	
Hub Assembly .....	HA590034[2] <sup>25</sup>
<b>2006-2004</b> Durango (4 Whl. ABS)	
Hub Assembly .....	HA590033[2] <sup>25</sup>
<b>2005-2002</b> R1500 Ser. (4 Whl. ABS)	
Hub Assembly .....	SP500100[2] <sup>40</sup>
<b>2005-2002</b> R1500 Ser. (Rr. Whl. ABS)	
Hub Assembly .....	HA500100[2]
<b>2004-2000</b> Dakota (4 Whl. ABS)	
Hub Assembly (RH) .....	SP450100 <sup>76</sup>
Hub Assembly (LH) .....	SP450101 <sup>76</sup>
<b>2004-1997</b> Dakota (Rr Whl. ABS)	
Hub Assembly .....	HA599361[2]
<b>2003-1998</b> Durango (4 Whl. ABS)	
Hub Assembly (RH) .....	SP450100 <sup>76</sup>
Hub Assembly (LH) .....	SP450101 <sup>76</sup>
<b>2003-1998</b> Durango (Rr. Whl. ABS)	
Hub Assembly .....	HA599361[2]

## FRONT WHEEL (cont.)

### 4WD/AWD (cont.)

<b>2001-2000</b> Ram 1500 (4 Whl. ABS)	
Hub Assembly .....	SP550102[2] <sup>40</sup>
<b>2001-2000</b> Ram 1500 (RW ABS)	
Hub Assembly .....	HA599863[2]
<b>1999-1998</b> Durango (4 Whl. ABS)	
Hub Assembly (RH) .....	SP450100 <sup>76</sup>
Hub Assembly (LH) .....	SP450101 <sup>76</sup>
Sensor Kit (RH) .....	SK450100 <sup>39</sup>
Sensor Kit (LH) .....	SK450101 <sup>39</sup>
<b>1999-1997</b> (4 Whl. ABS)(5 Lug Whl.)	
Hub Assembly (RH) .....	SP550100 <sup>40</sup>
Hub Assembly (LH) .....	SP550101 <sup>40</sup>
Sensor Kit (RH) .....	SK550100 <sup>39</sup>
Sensor Kit (LH) .....	SK550101 <sup>39</sup>
<b>1999-1997</b> Dakota (4 Whl. ABS)	
Hub Assembly (RH) .....	SP450100 <sup>76</sup>
Hub Assembly (LH) .....	SP450101 <sup>76</sup>
Sensor Kit (RH) .....	SK450100 <sup>39</sup>
Sensor Kit (LH) .....	SK450101 <sup>39</sup>
<b>1999-1994</b> R1500 Ser. (Rr. Whl. ABS)	
Hub Assembly .....	515006[2]
<b>1996-1990</b> Dakota (6 Lug Whl.)	
Hub Assembly .....	513109[2]
<b>1993-1990</b> 100/150 Ser. (Locking Hub)	
Seal (Inner) .....	4250[2]
Cone/Cup (Inner) .....	LM104949-JLM104910[2]
Set (Outer) .....	SET45[2]
<b>1990</b> Dakota (5 Lug Whl.)	
Hub Assembly .....	513082[2]

## REAR WHEEL

<b>2006-2004</b> Durango	
Cylindrical Bearing .....	6410[2] <sup>25</sup>
<b>2006-1990</b> Dakota	
Seal .....	8835S[2]
Cylindrical Bearing .....	6408[2]
Kit .....	TRP1559TV[2] <sup>19</sup>
<b>2005-1990</b> (w/o H/D)	
Seal .....	8835S[2]
Cylindrical Bearing .....	6408[2]
Kit .....	TRP1559TV[2] <sup>19</sup>
<b>2003-1998</b> Durango	
Seal .....	8835S[2]
Cylindrical Bearing .....	6408[2]
Kit .....	TRP1559TV[2] <sup>19</sup>
<b>2002-1990</b> (H/D Axle)	
Seal .....	710067[2]
Cylindrical Bearing .....	R1561TV[2]
Kit .....	TF01561R[2] <sup>19</sup>

## 4WD FRONT AXLE

### Axle Shaft

<b>2001-1994</b> (Dana/Spicer 44 3F axle)	
Seal (LH) .....	5131
Seal (RH) .....	710241
<b>1998-1997</b> (Dana/Spicer 35IFS axle)	
Seal .....	4857[2]
Cylindrical Bearing .....	5707

Mfg./Year    Model & Location    Part No    Mfg./Year    Model & Location    Part No

---

**DODGE TRUCK - 1/2 TON - B150, B1500 VANS, D150 PICKUP, Dakota, Durango, Ram 1500 PICKUP, Ram 1500 VAN, Ramcharger, W150 PICKUP (cont.)**

---

**4WD FRONT AXLE (cont.)**

**Axle Shaft (cont.)**

<b>1997-1990</b> (Dana/Spicer 44F BJ axle)	
Seal .....	5131[2]
Set .....	SET9[2]
Needle Bearing Pilot .....	B228
<b>1996-1990</b> (7.25" R.G.)	
Cylindrical Bearing .....	5707
Needle Bearing (Intermediate) .....	B5020
Needle Bearing Pilot .....	B2516

**Differential Rebuild Kit**

<b>2003-1990</b> Dakota (7.25" R.G.)	
Kit .....	DRK302
<b>2003-1990</b> (Dana/Spicer 44 axle)	
Kit .....	DRK339B

**Differential**

<b>2005-2000</b> (Dana/Spicer M205 axle)	
Cone/Cup .....	LM102949-LM102911[2]
<b>2001-1990</b> (Dana/Spicer 44 axle)	
Cone/Cup .....	25590-25523[2]
<b>1999-1998</b> (Dana/Spicer 35 axle)	
Cone/Cup .....	LM501349-LM501314[2]

**Pinion**

<b>2005-2003</b> (Dana/Spicer C205 axle)	
Cone/Cup (Inner) .....	NP682887-NP307044
Cone/Cup (Outer) .....	NP270758-NP378971
Kwik Slv (Opt Rpr) .....	KWK99181
<b>2003-2002</b> (8.25" R.G.)	
Cone/Cup (Inner) .....	NP682887-NP307044
Seal (Outer) .....	5778
Cone/Cup (Outer) .....	NP270758-NP378971
<b>2003-2000</b> (Dana/Spicer M205 axle)	
Cone/Cup (Inner) .....	NP722065-NP013743
Seal Viton (Outer) .....	714675
Cone/Cup (Outer) .....	M88048-M88010
Kwik Slv (Opt Rpr) .....	KWK99181
<b>2001-1994</b> (Dana/Spicer 44 axle)	
Cone/Cup (Inner) .....	HM88649-HM88610
Cone/Cup (Outer) .....	02872-02820
Seal (Outer) .....	5778
Seal Viton Opt .....	5778V
Kwik Slv (Opt Rpr) .....	KWK99155
<b>1999-1998</b> (Dana/Spicer 35 axle)	
Cone/Cup (Inner) .....	HM88648-HM88610
Cone/Cup (Outer) .....	M86649-M86610
<b>1996-1990</b> Dakota (7.25" R.G.)	
Cone/Cup (Inner) .....	HM88649-HM88610
Seal (Outer) .....	8516N
Cone/Cup (Outer) .....	M86649-M86610
Kwik Slv (Opt Rpr) .....	KWK99168

**4WD FRONT AXLE (cont.)**

**Pinion (cont.)**

<b>1993-1990</b> (Dana/Spicer 44 axle)	
Cone/Cup (Inner) .....	31594-31520
Cone/Cup (Outer) .....	02872-02820
Seal (Outer) .....	5778
Seal Viton Opt .....	5778V
Kwik Slv (Opt Rpr) .....	KWK99155

**Spindle Kit**

<b>1997-1990</b> (Dana/Spicer 44 axle)	
Bearing & Seal Kit .....	SBK1 <sup>33</sup>

**Spindle**

<b>1997-1990</b> (Dana/Spicer 44 axle)	
Seal (Inner) .....	722108
Needle Bearing (Inner) .....	B2110
Seal (Outer) .....	722109

**Intermediate Shaft**

<b>1993-1990</b> (Spicer 44 Ser.)(Inter. shaft)	
Seal .....	710241[2]
Needle Bearing .....	B5020[2]
Needle Bearing Pilot .....	SCE108[2]

**REAR AXLE**

**Differential Rebuild Kit**

<b>2004-1990</b> (8.25", 8.375" R.G.)	
Kit .....	DRK303
<b>2000-1990</b> (9.25" R.G.)	
Kit .....	DRK304
<b>1998-1990</b> (7.25" R.G.)	
Kit .....	DRK302

**Differential**

<b>2005-1990</b> (9.25" R.G.)	
Cone/Cup .....	JLM704649-JLM704610[2]
<b>2004-1990</b> (8.25", 8.375" R.G.)	
Set .....	SET36[2]
<b>2003-1990</b> Dakota (8.25"/8.375" R.G.)	
Set .....	SET36[2]
<b>1996-1990</b> Dakota (7.25" R.G.)	
Set .....	SET45[2]

**Pinion**

<b>2005-2000</b> (9.25" R.G.)	
Cone/Cup (Inner) .....	NP524102-NP912904
Seal (Outer) .....	5126
Cone/Cup (Outer) .....	M88048-M88010
<b>2005-2000</b> Dakota, Durango, B1500 (9.25" R.G.)	
Cone/Cup (Inner) .....	NP524102-NP912904
Seal (Outer) .....	5126
Cone/Cup (Outer) .....	M88048-M88010

<sup>33</sup>Opt. Kit Incls Brg B2110, Seals 722108 & 722109

# Bearings and Seals

Mfg./Year    Model & Location    Part No    Mfg./Year    Model & Location    Part No

## ***DODGE TRUCK - 1/2 TON - B150, B1500 VANS, D150 PICKUP, Dakota, Durango, Ram 1500 PICKUP, Ram 1500 VAN, Ramcharger, W150 PICKUP (cont.)***

### **REAR AXLE (cont.)**

#### **Pinion (cont.)**

<b>2004-1990</b>	(8.25", 8.375" R.G.)
Cone/Cup (Inner)	M802048-M802011
Seal (Outer)	8516N
Cone/Cup (Outer)	M86649-M86610
<b>2003-1990</b>	Dakota (8.25" R.G.)
Cone/Cup (Inner)	M802048-M802011
Seal (Outer)	8516N
Cone/Cup (Outer)	M86649-M86610
<b>1998-1990</b>	Dakota (7.25" R.G.)
Cone/Cup (Inner)	HM88649-HM88610
Seal (Outer)	8516N
Cone/Cup (Outer)	M86649-M86610

### **TRANSFER CASE REBUILD KIT**

<b>2003-1998</b>	Durango (New Process 242HD)
Kit	TCRK242A <sup>16</sup>
<b>2003-1995</b>	(New Process 241)
Kit	TCRK241D <sup>16</sup>
<b>2003-1994</b>	(New Process 231)
Kit	TCRK231A <sup>16</sup>
<b>2003-1990</b>	(New Process 205)
Kit	TCRK205D
<b>1994-1993</b>	(New Process 241)
Kit	TCRK241
<b>1994-1990</b>	(New Process 231)
Kit	TCRK231 <sup>51</sup>
<b>1992-1990</b>	(New Process 241)
Kit	TCRK241A <sup>16</sup>

### **TRANSFER CASE**

#### **Input Shaft**

<b>2004-1994</b>	(New Process 231)
Seal	3173[2]
Ball Bearing	110L
Kwik Slv (Opt Rpr)	KWK99193
Needle Bearing Pilot	FC66561
<b>1993-1990</b>	(New Process 241)
Seal	3173[2]
Ball Bearing	N5210KLB[2]
Kwik Slv (Opt Rpr)	KWK99193
Needle Bearing Pilot	SCH1810

#### **Front Output Shaft**

<b>2002-1997</b>	(New Process 231)
Ball Bearing	206WB
Needle Bearing Pilot	J2416
<b>1996-1994</b>	(New Process 231)
Seal	710046
Ball Bearing	206WB
Kwik Slv (Opt Rpr)	KWK99155
Needle Bearing Pilot	J2416
<b>1993-1990</b>	(New Process 241)
Seal	3946
Ball Bearing	207
Kwik Slv (Opt Rpr)	KWK99187
Needle Bearing Pilot	J2416

### **TRANSFER CASE**

#### **Rear Output Shaft**

<b>1993-1990</b>	(New Process 241)
Seal	3946
Ball Bearing	207
Kwik Slv (Opt Rpr)	KWK99187
Needle Bearing	B5020[2]

#### **Oil Pump Housing**

<b>2002-1990</b>	(New Process 208, 231, 241)
Seal	341022
Kwik Slv (Opt Rpr)	KWK99225

### **TRANSMISSION REBUILD KIT**

<b>2002-1994</b>	(New Venture 3500)
Kit	TRK235C
<b>2002-1992</b>	(New Venture 4500)
Kit	TRK4500D
<b>2002-1990</b>	(Aisin AX15)
Kit	TRKFT420
<b>1993-1990</b>	(New Venture 535)
Kit	TRK535

### **3-SPEED AUTOMATIC TRANSMISSION**

#### **Torque Converter**

<b>2000-1990</b>	(A904, A998, A999, 31RH, 32RH)
Seal	331228H
Kwik Slv (Opt Rpr)	KWK99149
<b>2000-1990</b>	(A727, 36RH)
Seal	331227H
Kwik Slv (Opt Rpr)	KWK99187

#### **Rear Seal/Ext. Housing**

<b>2000-1990</b>	(A727, 36RH)
Seal	7300S
Ball Bearing	207XLO
Seal Kit	5206 <sup>64</sup>
<b>2000-1990</b>	(A998, A999, 31RH, 32RH)
Seal	2506
Ball Bearing	206LOE <sup>38</sup>

#### **Clutch Cam**

<b>1993-1990</b>	(A727)
Needle Bearing	W585Q[12]

#### **Selector Shaft Seal/Man. Shaft**

<b>2000-1990</b>	
Seal	8609

Mfg./Year	Model & Location	Part No	Mfg./Year	Model & Location	Part No
<b>DODGE TRUCK - 1/2 TON - B150, B1500 VANS, D150 PICKUP, Dakota, Durango, Ram 1500 PICKUP, Ram 1500 VAN, Ramcharger, W150 PICKUP (cont.)</b>					

### 4-SPEED AUTOMATIC TRANSMISSION

#### Torque Converter

<b>2002-1990</b>	(A500, 42RH, 46RE)	
Seal	.....	331228H
Kwik Slv (Opt Rpr)	.....	KWK99149
<b>2002-1990</b>	(A518, 46RH)	
Seal	.....	331227H
Kwik Slv (Opt Rpr)	.....	KWK99187

#### Rear Seal/Ext. Housing

<b>2002-1990</b>	(2WD)	
Seal	.....	7300S
Ball Bearing	.....	207XLO
Seal Kit	.....	5206 <sup>64</sup>
<b>2002-1990</b>	(4WD)	
Seal	.....	710058
Ball Bearing	.....	207XLO

#### Selector Shaft Seal/Man. Shaft

<b>2002-1990</b>		
Seal	.....	8609

### CLUTCH - 6 CYLINDER

#### Pilot Bearing

<b>2001-1992</b>		
Needle Bearing	.....	SCE1295
Needle Bearing Opt Brg & Sleeve Kit	.....	FC69907
<b>1991-1990</b>		
Bushing H/D	.....	PB286HD

### CLUTCH - 8 CYLINDER

#### Pilot Bearing

<b>2001-1992</b>		
Needle Bearing	.....	SCE1295
Needle Bearing Opt Brg & Sleeve Kit	.....	FC69907
<b>1991-1990</b>		
Bushing H/D	.....	PB286HD

### CLUTCH

#### Release Bearing

<b>1998-1994</b>	4 Cyl.	
Bearing Assembly	.....	614093
<b>1998-1994</b>	8 Cyl.	
Bearing Assembly	.....	614093
<b>1998-1992</b>	6 Cyl. (incl. Turbo Diesel)	
Bearing Assembly	.....	614093
<b>1993-1992</b>	(w/o Diesel)	
Bearing Assembly	.....	614093
<b>1993-1990</b>	(Diesel)	
Bearing Assembly	.....	614070
<b>1991-1990</b>	Dakota	
Bearing Assembly	.....	614054
<b>1991-1990</b>	100/150 Ser. (Hyd. Cl.)	
Bearing Assembly	.....	614054

### 4-SPEED MANUAL TRANSMISSION

#### Transmission Rebuild Kit

<b>2002-1990</b>	(New Process 435)	
Kit	.....	TRK127G <sup>53</sup>
<b>2000-1990</b>	(New Process 435)	
Kit	.....	TRK127B <sup>54</sup>

#### Input Shaft

<b>1993-1990</b>	(New Process 435)	
Seal	.....	9376
Ball Bearing	.....	308L
<b>1990</b>	(New Process A833)	
Seal	.....	9376
Ball Bearing	.....	308LOE

#### Mainshaft Pilot

<b>1993-1990</b>	(New Process 435, 445)	
Needle Bearing	.....	Q15902[14]
<b>1990</b>	(New Process A833)	
Needle Bearing	.....	QBR23549[16]

#### Countershaft

<b>1993-1990</b>	(New Process 435, 436)	
Needle Bearing (Frt)	.....	BCE2416
Needle Bearing (Rr)	.....	B3216
Needle Bearing Thrust	.....	NTA2031

#### Reverse Idler

<b>1993-1990</b>	(New Process 435, 436)	
Needle Bearing	.....	C407Q

#### Rear Output Shaft

<b>1993-1990</b>	(New Process 435)	
Seal	.....	8160S
Ball Bearing	.....	308L
<b>1990</b>	(New Process A833)	
Seal	.....	7300S
Ball Bearing	.....	308LOE
Seal Kit	.....	5206 <sup>64</sup>

### 5-SPEED MANUAL TRANSMISSION

#### Transmission Rebuild Kit

<b>2003-1994</b>	(New Process 3500)	
Kit	.....	TRK235C

#### Front Input Shaft

<b>2003-1994</b>	(New Process 3500)	
Seal	.....	4529N
Ball Bearing	.....	307FFLS
Kwik Slv (Opt Rpr)	.....	KWK99138
<b>2003-1992</b>	(New Process 4500)	
Seal	.....	714655
Cone/Cup	.....	M802048CP-M802011AP
Kwik Slv (Opt Rpr)	.....	KWK99133
<b>1993-1992</b>	(Aisin)	
Seal	.....	223253
Kwik Slv (Opt Rpr)	.....	KWK99128

<sup>53</sup>Ball I/S Brg.

<sup>54</sup>Tapered I/S Brg.

<sup>64</sup>Opt. Seal & Bushing Kit



# Bearings and Seals

Mfg./Year    Model & Location    Part No    Mfg./Year    Model & Location    Part No

---

***DODGE TRUCK - 1/2 TON - B150, B1500 VANS, D150 PICKUP, Dakota, Durango, Ram 1500 PICKUP, Ram 1500 VAN, Ramcharger, W150 PICKUP (cont.)***

---

## 5-SPEED MANUAL TRANSMISSION

(cont.)

### Front Input Shaft (cont.)

1993-1990 (New Process A536, 2500)  
 Seal .....9376  
 Ball Bearing .....307LI  
 Kwik Slv (Opt Rpr) .....KWK99106

### Countershaft

2003-1994 (New Process 3500)  
 Needle Bearing ..... FC68336  
 2003-1992 (New Process 4500)  
 Cone/Cup (Frt) .....LM102949CP-LM102910P  
 Cone/Cup (Rr) ..... LM501349HP-LM501310P  
 1993-1992 (Aisin AX15)  
 Cylindrical Bearing (Frt) ..... MSNB5305GTBV  
 1993-1990 (New Process A536, 2500)  
 Cone/Cup (Frt) ..... LM67048-LM67010BCE  
 Set (Rr) ..... SET2

### Mainshaft Pilot

1993-1990 (New Process A536, 2500)  
 Needle Bearing .....QBR23549[16]

### Mainshaft 1st Speed Gear

1993-1990 (New Process A536, 2500)  
 Needle Bearing ..... FW455017[2]

### Rear Output Shaft

2003-1994 (New Process 3500)(4WD)  
 Seal ..... 4532N  
 Ball Bearing ..... 307FFTB  
 2003-1994 (New Process 3500)(4WD)  
 Seal .....2465  
 Ball Bearing ..... 307FFTB  
 2003-1994 (New Process 4500)(2WD)  
 Seal .....2465  
 Cone/Cup ..... M804049-M804010  
 2002-1992 (New Process 4500)(4WD)  
 Seal ..... 710058  
 Cone/Cup ..... M804049-M804010  
 1993-1992 (Aisin)(2WD)  
 Seal ..... 710198  
 1993-1992 (Aisin)(4WD)  
 Seal ..... 1209N  
 1993-1992 (New Process 4500)(2WD)  
 Seal ..... 7300S  
 Cone/Cup ..... M804049-M804010  
 1993-1990 (New Process A536, 2500)(2WD)  
 Seal .....2506  
 Ball Bearing ..... 208  
 1993-1990 (New Process A536, 2500)(4WD)  
 Seal .....710058  
 Ball Bearing ..... 208

## 5-SPEED MANUAL TRANSMISSION

### Extension Housing

1993-1990 (New Process A536, 2500)  
 Ball Bearing .....1207L

## A/C COMPRESSOR

1993-1990 (Nippondenso)  
 Ball Bearing ..... 5000KFF

## DRIVESHAFT SUPPORT

2001-1990 (1.378" 35mm Brg. I.D.)  
 Ball Bearing ..... 88107  
 Hanger Brg Assy ..... HB88107A  
 Hanger Brg Assy Assy.  
 w/ Slings ..... HB88107B

## POWER STEERING

### Pump Shaft

1993-1990  
 Seal .....7013S

## CAMSHAFT SEAL

### 4 Cylinder

1995-1990 153/2.5L  
 Seal .....3655S  
 Kwik Slv (Opt Rpr) .....KWK99139

## CRANKSHAFT FRONT SEAL

### 6 Cylinder

2002-1992 239/3.9L  
 Seal .....713655  
 Kwik Slv (Opt Rpr) .....KWK99218  
 1991-1990 239/3.9L  
 Seal .....3103  
 Kwik Slv (Opt Rpr) .....KWK99218

### 8 Cylinder

2002-1992 318/5.2L, 360/5.9L  
 Seal Viton ..... 713103  
 Kwik Slv (Opt Rpr) .....KWK99218  
 1991-1990 318/5.2L, 360/5.9L  
 Seal .....3103  
 Kwik Slv (Opt Rpr) .....KWK99218

## CRANKSHAFT REAR SEAL

### 4 Cylinder

2002-1996 150/2.5L  
 Seal Viton ..... 716445

### 6 Cylinder

2003-1990 239/3.9L  
 Seal .....5414

Mfg./Year	Model & Location	Part No	Mfg./Year	Model & Location	Part No
<b>DODGE TRUCK - 1/2 TON - B150, B1500 VANS, D150 PICKUP, Dakota, Durango, Ram 1500 PICKUP, Ram 1500 VAN, Ramcharger, W150 PICKUP (cont.)</b>					

**CRANKSHAFT REAR SEAL**

**8 Cylinder**

2003-1990	360/5.9L	
Seal Split		5106
2002-1990	318/5.2L	
Seal		5414

**DODGE TRUCK - 3/4 TON - Pickup, Van, 250 Series, 2500 Series, Sprinter 2500**

**FRONT WHEEL**

**2WD**

2006-2003	Sprinter 2500	
Set (Inner)		SET45[2]
Bearing Assembly (Outer)		32305[2]
2005-2003	R2500	
Hub Assembly		SP550103[2] <sup>25</sup>
2003-2000	B2500 (4000 lb. Axle)(8 Lug Whl.)	
Seal (Inner)		493291[2]
Cone/Cup (Inner)		NP566582-NP980884[2]
Cone/Cup (Outer)		NP244401-NP111741[2]
2003-1994	B2500 (3500 lb. Axle)	
Seal (Inner)		3087[2]
Cone/Cup (Inner)		NP952605-JL69310P[2]
Set (Outer)		SET16[2]
2002-2000	R2500	
Hub Assembly		HA590000[2]
Set Opt Tapered Roller Brg.		SET814[2]
1999-1994	B2500 (4000 lb. Axle)(8 Lug Whl.)	
Seal (Inner)		493291[2]
Set (Inner)		SET45[2]
Cone/Cup (Outer)		15101-15245[2]
1999-1994	R2500 (4000 lb. Axle)(8 Lug Whl.)	
Seal (Inner)		4740[2]
Set (Inner)		SET45[2]
Cone/Cup		15101-15245[2]
1993-1990	(3300 lb. Axle)(5 Lug Whl.)	
Seal (Inner)		3087[2]
Set (Inner)		SET11[2]
Set (Outer)		SET16[2]
1993-1990	(3700 lb. Axle)(8 Lug Whl.)	
Seal (Inner)		493291[2]
Set (Inner)		SET45[2]
Cone/Cup (Outer)		15101-15245[2]
1993-1990	(3800 lb. Axle)(8 Lug Whl.)	
Seal (Inner)		493291[2]
Set (Inner)		SET45[2]
Cone/Cup (Outer)		15101-15245[2]
1993-1990	(4000 lb. Axle)(8 Lug Whl.)	
Seal (Inner)		493291[2]
Set (Inner)		SET45[2]
Cone/Cup (Outer)		15101-15245[2]

**4WD/AWD**

2003-2000	Ram 2500 (4 Whl. ABS)	
Hub Assembly		HA590203[2]
1999-1998	2500 Pickup (8 Lug Whl.)(ABS)(SRW)	
Hub Assembly (RH)		SP580100 <sup>75</sup>
Hub Assembly (LH)		SP580101 <sup>75</sup>
Sensor Kit (RH)		SK580100 <sup>84</sup>
Sensor Kit (LH)		SK580101 <sup>84</sup>
1999-1994	2500 (7500 G.V.W.)(w/o ABS)(Rotor Not Incl.)	
Hub Assembly		HA597851[2]
1999-1994	2500 (H/D 8800 G.V.W.)(w/o ABS)(Rotor Not Incl.)	
Hub Assembly		HA590020[2]
1993-1990	(Dana/Spicer 44F BJ Axle)	
Seal (Inner)		4250[2]
Cone/Cup (Inner)		LM104949-JLM104910[2]
Set (Outer)		SET45[2]
1993-1990	(Dana/Spicer 60F Axle)	
Seal (Inner)		415009[2]
Cone/Cup (Inner)		387A-382A[2]
Set (Outer)		SET38[2]

**REAR WHEEL**

2006-2003	Sprinter 2500 (DRW)	
Bearing Assembly (Inne)		32011XM[2]
Bearing Assembly (Outer)		32210M[2]
2006-2003	Sprinter 2500 (SRW)	
Ball Bearing		516010[2] <sup>25</sup>
2005-2003	R2500	
Cone/Cup (Inner)		28682-28622[2]
Set (Outer)		SET38[2]
2003-2002	B2500 (9.25" R.G.)(H/D Axle)	
Seal		710067[2]
Cylindrical Bearing		R1561TV[2]
Kit		TF01561R[2] <sup>19</sup>
2003-2002	B2500 (9.25" R.G.)(w/o H/D)	
Seal		8835S[2]
Cylindrical Bearing		6408[2]
Kit		TRP1559TV[2] <sup>19</sup>
2003-1990	B 200/250 (8.25", 8.375" R.G.)	
Seal		8835S[2]
Cylindrical Bearing		6408[2]
Kit		TRP1559TV[2] <sup>19</sup>

<sup>19</sup>Opt. Axle Rpr Brg. Replaces O.E. Brg & Seal      <sup>25</sup>New Item, Check For Availability      <sup>75</sup>8 Lug.      **123**

<sup>84</sup>Opt. Kit Incls, Sensor Cable, Screw, Grease. 8 Lug Assy.

# Bearings and Seals

Mfg./Year	Model & Location	Part No	Mfg./Year	Model & Location	Part No
<b>DODGE TRUCK - 3/4 TON - Pickup, Van, 250 Series, 2500 Series, Sprinter</b>					
<b>2500 (cont.)</b>					

## REAR WHEEL (cont.)

<b>2002-1994</b>	R2500 (Spicer 60 Axle)(13"x2.5" Brks.)	
Seal (Inner)	.....	417158[2]
Cone/Cup (Inner)	.....	28682-28622[2]
Set (Outer)	.....	SET38[2]
<b>2001-1994</b>	R2500 (Spicer 80)(13x3.5" Brks.)	
Seal (Inner)	.....	455086[2]
Cone/Cup (Inner)	.....	39585-39520[2]
Cone/Cup (Outer)	.....	JLM506849-JLM506810[2]
<b>2001-1990</b>	(9.25" R.G.)(H/D)	
Seal	.....	710067[2]
Cylindrical Bearing	.....	R1561TV[2]
Kit	.....	TF01561R[2] <sup>19</sup>
<b>2001-1990</b>	(9.25" R.G.)(Std. Duty)D & W 200/250 Ser. (9.25" R.G.)(Std. Duty)	
Seal	.....	8835S[2]
Cylindrical Bearing	.....	6408[2]
Kit	.....	TRP1559TV[2] <sup>19</sup>
<b>1993-1990</b>	D250, W250 (Spicer 70)(12x3" Brks.)(9000 GVW)	
Seal (Inner)	.....	417158[2]
Cone/Cup (Inner)	.....	28682-28622[2]
Set (Outer)	.....	SET38[2]
<b>1993-1990</b>	D & W 200/250 Ser. (Spicer 60HD, 70, 71 Axle)(12"x3" Brks.)(Exc. 9000 lb. Axle)	
Seal (Inner)	.....	455086[2]
Cone/Cup (Inner)	.....	45291-45220[2]
Set (Outer)	.....	SET38[2]
<b>1993-1990</b>	D & W 200/250 (Spicer 60)(12x2.5")	
Seal (Inner)	.....	4250[2]
Set (Inner)	.....	SET38[2]
Set (Outer)	.....	SET38[2]

## 4WD FRONT AXLE

### Axle Shaft

<b>1998-1994</b>	(Dana/Spicer 44 3F axle)	
Seal (LH)	.....	5131
Seal (RH)	.....	710241
<b>1993-1990</b>	(Dana/Spicer 44F BJ axle)	
Seal	.....	5131[2]
Set	.....	SET9[2]
Needle Bearing Pilot	.....	B228

### Differential Rebuild Kit

<b>1999-1990</b>	(Dana/Spicer 60F axle)	
Kit	.....	DRK331
<b>1998-1990</b>	(Dana/Spicer 44 3CF, 44 3CFHD, 44F BJ axle)	
Kit	.....	DRK339B

### Differential

<b>2005-2003</b>	(9.25" R.G.)	
Set	.....	SET42[2]

## 4WD FRONT AXLE (cont.)

### Differential (cont.)

<b>2002-1990</b>	(Dana/Spicer 60F, 70F axle)	
Cone/Cup	.....	387A-382S[2]
<b>1997-1990</b>	(Dana/Spicer 44 3CF, 44 3CFHD, 44F BJ axle)	
Cone/Cup	.....	25590-25523[2]

### Pinion

<b>2005-2003</b>	(9.25" R.G.)	
Cone/Cup (Inner)	.....	HM804846-HM804810
Cone/Cup (Outer)	.....	HM88649-HM88610
<b>2002-1990</b>	(Dana/Spicer 60F axle)	
Cone/Cup (Inner)	.....	HM803146-HM803110
Seal (Outer)	.....	9316
Cone/Cup (Outer)	.....	HM88542-HM88510
<b>1998-1994</b>	(Dana/Spicer 44 3F axle)	
Cone/Cup (Inner)	.....	HM88649-HM88610
Seal Viton (Outer)	.....	5778V
Cone/Cup (Outer)	.....	02872-02820
<b>1998-1990</b>	(Dana/Spicer 44F BJ axle)	
Cone/Cup (Inner)	.....	31594-31520
Seal Viton (Outer)	.....	5778V
Cone/Cup (Outer)	.....	02872-02820

### Spindle Kit

<b>1997-1990</b>	(Dana/Spicer 44F BJ axle)	
Bearing & Seal Kit	.....	SBK1 <sup>33</sup>

### Spindle

<b>1998-1990</b>	(Dana/Spicer 44F BJ axle)	
Seal (Inner)	.....	722108
Needle Bearing (Inner)	.....	B2110
Seal (Outer)	.....	722109
<b>1993-1990</b>	(Dana/Spicer 60F axle)	
Seal (Inner)	.....	710044
Needle Bearing (Inner)	.....	B2414
Seal (Outer)	.....	710045

### Steering Knuckle

<b>1993-1990</b>	(Spicer 44 3CFHD, 60F axle)	
Seal (Upper)	.....	710304
Cone/Cup (Upper)	.....	23100-23256
Seal (Lower)	.....	710385
Cone/Cup (Lower)	.....	23100-23256

### Intermediate Shaft

<b>1993-1990</b>	(Spicer 44FBJ)	
Seal	.....	710241[2]
Needle Bearing	.....	B5020[2]
Needle Bearing Pilot	.....	SCE108[2]

## REAR AXLE

### Differential Rebuild Kit

<b>2002-1994</b>	(Dana/Spicer 80)	
Kit	.....	DRK337
<b>2002-1990</b>	(Dana/Spicer 70U, 71 axle)	
Kit	.....	DRK332U

## **DODGE TRUCK - 3/4 TON - Pickup, Van, 250 Series, 2500 Series, Sprinter 2500 (cont.)**

### **REAR AXLE (cont.)**

#### **Differential Rebuild Kit (cont.)**

<b>2002-1990</b> (Dana/Spicer 60, 60HD axle)	
Kit .....	DRK331
<b>1998-1990</b> (8.25" R.G.)	
Kit .....	DRK303
<b>1998-1990</b> (8.375" R.G.)	
Kit .....	DRK303
<b>1998-1990</b> (9.25" R.G.)	
Kit .....	DRK304

#### **Differential**

<b>2005-2003</b> (10.5" R.G.)	
Cone/Cup .....	387AS-382A[2]
<b>2005-2003</b> (11.5" R.G.)	
Cone/Cup .....	3984-3920[2]
<b>2003-1990</b> (8.25" R.G.)	
Set .....	SET36[2]
<b>2003-1990</b> (9.25" R.G.)	
Cone/Cup .....	JLM704649-JLM704610[2]
<b>2003-1990</b> (Dana/Spicer 60, 60HD, 70, 70U, 71 axle)	
Cone/Cup .....	387A-382S[2]
<b>2002-1994</b> (Dana/Spicer 80 axle)	
Cone/Cup .....	469-453X[2]
<b>1998-1990</b> (8.375" R.G.)	
Set .....	SET36[2]

#### **Pinion**

<b>2005-2003</b> (10.5" R.G.)	
Cone/Cup (Inner) .....	NP598002-NP284552
Cone/Cup (Outer) .....	NP457992-NP926068
<b>2005-2003</b> (11.5" R.G.)	
Cone/Cup (Inner) .....	HM807046-HM807010
Cone/Cup (Outer) .....	NP457992-NP926068
<b>2003-2000</b> (9.25" R.G.)	
Cone/Cup (Inner) .....	NP524102-NP912904
Cone/Cup (Outer) .....	M88048-M88010
<b>2003-1990</b> (8.25" R.G.)	
Cone/Cup (Inner) .....	M802048-M802011
Seal (Outer) .....	8516N
Cone/Cup (Outer) .....	M86649-M86610
<b>2003-1990</b> (Dana/Spicer 60, 60HD axle)	
Cone/Cup (Inner) .....	HM803146-HM803110
Seal (Outer) .....	9316
Cone/Cup (Outer) .....	HM88542-HM88510
<b>2002-1994</b> (Dana/Spicer 80 axle)	
Cone/Cup (Inner) .....	HM807046-HM807010
Seal Viton (Outer) .....	4525V
Cone/Cup (Outer) .....	M802048-M802011
<b>2002-1990</b> (Dana/Spicer 70U, 71 axle)	
Cone/Cup (Inner) .....	HM803149-HM803110
Seal (Outer) .....	9316
Cone/Cup (Outer) .....	HM88542-HM88510
<b>1999-1990</b> (9.25" R.G.)	
Cone/Cup (Inner) .....	M804049-M804010
Seal (Outer) .....	5126
Cone/Cup (Outer) .....	M88048-M88010

### **REAR AXLE (cont.)**

#### **Pinion (cont.)**

<b>1998-1990</b> (8.375" R.G.)	
Cone/Cup (Inner) .....	M802048-M802011
Seal (Outer) .....	8516N
Cone/Cup (Outer) .....	M86649-M86610

### **TRANSFER CASE REBUILD KIT**

<b>2002-1995</b> (New Process 241)	
Kit .....	TCRK241D <sup>16</sup>
<b>1997-1994</b> (New Process 231)	
Kit .....	TCRK231A <sup>16</sup>
<b>1994-1993</b> (New Process 241)	
Kit .....	TCRK241
<b>1993-1990</b> (New Process 205)	
Kit .....	TCRK205D
<b>1992-1990</b> (New Process 241)	
Kit .....	TCRK241A <sup>16</sup>

### **TRANSFER CASE**

#### **Input Shaft**

<b>2002-1993</b> (New Process 241)	
Seal .....	3173[2]
Ball Bearing .....	110L
Seal Dual Lip Opt .....	710928
Kwik Slv (Opt Rpr) .....	KWK99193[2]
Needle Bearing Pilot .....	FC66561
<b>1992-1990</b> (New Process 241)	
Seal .....	3173[2]
Ball Bearing .....	N5210KLB
Seal Dual Lip Opt .....	710928[2]
Kwik Slv (Opt Rpr) .....	KWK99193[2]
Needle Bearing Pilot .....	SCH1810

#### **Front Output Shaft**

<b>2002-1994</b> (New Process 241)	
Seal .....	3946
Ball Bearing .....	207XL0
Kwik Slv (Opt Rpr) .....	KWK99187
Needle Bearing Pilot .....	J2416
<b>1993-1990</b> (New Process 241)	
Seal .....	3946
Ball Bearing .....	207
Kwik Slv (Opt Rpr) .....	KWK99187
Needle Bearing Pilot .....	J2416
<b>1993-1990</b> (New Process 205)	
Seal .....	473313
Ball Bearing .....	307L
Kwik Slv (Opt Rpr) .....	KWK99174
Needle Bearing Pilot .....	M28161

#### **Rear Output Shaft**

<b>2002-1994</b> (New Process 241)	
Seal .....	4333N
Ball Bearing .....	207XL0
Kwik Slv (Opt Rpr) .....	KWK99187
Needle Bearing Pilot .....	B5020[2]

<sup>16</sup>Part Obsolete, Check For Availability, While Supplies Last

# Bearings and Seals

Mfg./Year	Model & Location	Part No	Mfg./Year	Model & Location	Part No
<b>DODGE TRUCK - 3/4 TON - Pickup, Van, 250 Series, 2500 Series, Sprinter</b>					
<b>2500 (cont.)</b>					

## TRANSFER CASE (cont.)

### Rear Output Shaft (cont.)

<b>1993-1990</b> (New Process 241)	
Seal .....	3946
Ball Bearing .....	207
Kwik Slv (Opt Rpr) .....	KWK99187
Needle Bearing Pilot .....	B5020[2]
<b>1993-1990</b> (New Process 205)	
Seal .....	473468
Ball Bearing .....	307L
Kwik Slv (Opt Rpr) .....	KWK99212
Needle Bearing Pilot .....	B3216

### Idler Shaft

<b>1993-1990</b> (New Process 205)	
Cone/Cup .....	2793-2720[2]

### Oil Pump Housing

<b>2002-1990</b> (New Process 208, 241)	
Seal .....	341022
Kwik Slv (Opt Rpr) .....	KWK99225

### Selector Shaft Seal/Man. Shaft

<b>1993-1990</b> (New Process 205)	
Seal .....	2287[2]
Kwik Slv (Opt Rpr) .....	KWK99076[2]

## TRANSMISSION REBUILD KIT

<b>2002-1992</b> (New Venture 4500)	
Kit .....	TRK4500D
<b>1993-1990</b> (New Venture 435)	
Kit .....	TRK127G <sup>53</sup>

## 3-SPEED AUTOMATIC TRANSMISSION

### Torque Converter

<b>2000-1990</b> (A904, A998, A999, 31RH, 32RH)	
Seal .....	331228H
Kwik Slv (Opt Rpr) .....	KWK99149
<b>2000-1990</b> (A727, 36RH)	
Seal .....	331227H
Kwik Slv (Opt Rpr) .....	KWK99187

### Rear Seal/Ext. Housing

<b>2000-1990</b> (A727, 36RH)	
Seal .....	7300S
Ball Bearing .....	207XLO
Seal Kit .....	5206 <sup>64</sup>
<b>2000-1990</b> (A998, A999, 31RH, 32RH)	
Seal .....	2506
Ball Bearing .....	206LOE <sup>38</sup>

## 3-SPEED AUTOMATIC TRANSMISSION

### Clutch Cam

<b>1993-1990</b> (A727)	
Needle Bearing .....	W585Q[12]

### Selector Shaft Seal/Man. Shaft

<b>2000-1990</b>	
Seal .....	8609

## 4-SPEED AUTOMATIC TRANSMISSION

### Torque Converter

<b>2002-1994</b> (46RH, 47RH)	
Seal .....	331227H
Kwik Slv (Opt Rpr) .....	KWK99187
<b>2002-1990</b> (A500, 42RH, 46RE)	
Seal .....	331228H
Kwik Slv (Opt Rpr) .....	KWK99149
<b>1993-1990</b> (A518)	
Seal .....	331227H
Kwik Slv (Opt Rpr) .....	KWK99187

### Rear Seal/Ext. Housing

<b>2002-1994</b> (42RH, 46RE, 46RH, 47RH)(2wd)	
Seal .....	7300S
Ball Bearing .....	207XLO
Seal Kit .....	5206 <sup>64</sup>
<b>2002-1994</b> (42RH, 46RE, 46RH, 47RH)(4WD)	
Seal .....	710058
Ball Bearing .....	207XLO
<b>1993-1990</b> (A500, A518, 42RH)(2WD)	
Seal .....	7300S
Ball Bearing .....	207XLO
Seal Kit .....	5206 <sup>64</sup>
<b>1993-1990</b> (A500, A518, 42RH)(4WD)	
Seal .....	710058
Ball Bearing .....	207XLO

### Selector Shaft Seal/Man. Shaft

<b>2002-1990</b>	
Seal .....	8609

## CLUTCH

### Pilot Bearing

<b>2004-2000</b> 3.7L, 3.9L, 5.2L, 5.7L, 5.9L, 8.3L (w/o Diesel)	
Needle Bearing .....	FC69907
<b>2002-1990</b> 359/5.9L (Diesel)	
Needle Bearing Pilot .....	SCE1211
<b>1999-1994</b> 5.2L, 5.9L (w/o Diesel)	
Ball Bearing .....	S128
<b>1998-1994</b> 488 (8.0) V10	
Needle Bearing .....	SCE1211
<b>1996-1992</b> 8 Cyl.	
Needle Bearing .....	SCE1295
<b>1993-1992</b> 239/3.9L	
Needle Bearing .....	SCE1295

Mfg./Year	Model & Location	Part No	Mfg./Year	Model & Location	Part No
<b>DODGE TRUCK - 3/4 TON - Pickup, Van, 250 Series, 2500 Series, Sprinter 2500 (cont.)</b>					

**CLUTCH (cont.)**

**Pilot Bearing (cont.)**

1991-1990  
Bushing H/D ..... PB286HD

**Release Bearing**

2004-1990 (Cummins Turbo Diesel)(Getrag 5 Spd.)  
Bearing Assembly ..... 614070  
2003-1992 (w/o Cummins Turbo Diesel, V10)  
Bearing Assembly ..... 614093  
1998-1994 488 (8.0) V10  
Bearing Assembly ..... 614114  
1996-1994 (Cummins Turbo Diesel)(Getrag 5 Spd.)  
Bearing Assembly ..... 614114  
1991-1990 (w/o Cummins Turbo Diesel)  
Bearing Assembly ..... 614054

**4-SPEED MANUAL TRANSMISSION**

**Transmission Rebuild Kit**

1992-1990 (New Process 435)  
Kit ..... TRK127

**Input Shaft**

1993-1990 (New Process 435)  
Seal ..... 9376  
Ball Bearing ..... 308L  
1990 (New Process A833)  
Seal ..... 9376  
Ball Bearing ..... 308LOE

**Mainshaft Pilot**

1993-1990 (New Process 420, 435, 436, 445)  
Needle Bearing ..... Q15902[14]

**Countershaft**

1993-1990 (New Process 435)  
Needle Bearing (Frnt) ..... BCE2416  
Needle Bearing (Rr) ..... B3216  
Needle Bearing Thrust ..... NTA2031

**Reverse Idler**

1993-1990 (New Process 435, 436)  
Needle Bearing ..... C407Q

**Rear Output Shaft**

1993-1990 (New Process 435)  
Seal ..... 8160S  
Ball Bearing ..... 308L  
1990 (New Process A833)  
Seal ..... 7300S  
Ball Bearing ..... 308LOE<sup>64</sup>  
Seal Kit ..... 5206<sup>64</sup>

**5-SPEED MANUAL TRANSMISSION**

**Transmission Rebuild Kit**

2004-1997 (New Process 4500)  
Kit ..... TRK4500DNI  
2000-1994 (New Process 3500)  
Kit ..... TRK235C

**Front Input Shaft**

2004-1992 (New Process 4500, 4500HD)  
Seal ..... 714655  
Cone/Cup ..... M802048CP-M802011AP  
Kwik Slv (Opt Rpr) ..... KWK99133  
2000-1994 (New Process 3500)  
Seal ..... 4529N  
Ball Bearing ..... 307FFLS  
Kwik Slv (Opt Rpr) ..... KWK99138  
1993-1992 (Aisin)  
Seal ..... 223253  
Kwik Slv (Opt Rpr) ..... KWK99128  
1993-1990 (New Process A535, 2500)  
Seal ..... 9376  
Ball Bearing ..... 307LI  
Kwik Slv (Opt Rpr) ..... KWK99106

**Countershaft**

2004-1992 (New Process 4500)  
Cone/Cup (Frnt) ..... LM102949CP-LM102910P  
Cone/Cup (Rr) ..... LM501349HP-LM501310P  
1993-1990 (New Process A535, 2500)  
Cone/Cup (Frnt) ..... LM67048-LM67010BCE  
Set (Rr) ..... SET2

**Mainshaft Pilot**

1993-1990 (New Process A535, 2500)  
Needle Bearing ..... QBR23549[16]

**Mainshaft 1st Speed Gear**

1993-1990 (New Process A535, 2500)  
Needle Bearing ..... FW455017[2]

**Rear Output Shaft**

2004-1994 (New Process 4500)(2WD)  
Seal ..... 2465  
Cone/Cup ..... M804049-M804010  
2003-1994 (New Process 4500HD)(2WD)  
Seal ..... 4741  
Cone/Cup ..... M804049-M804010  
2003-1992 (New Process 4500, 4500HD)(4WD)  
Seal ..... 710058  
Cone/Cup ..... M804049-M804010  
2000-1994 (New Process 3500)(4WD)  
Seal ..... 4532N  
Ball Bearing ..... 307FFTB  
2000-1994 (New Process 3500)(4WD)  
Seal ..... 2465  
Ball Bearing ..... 307FFTB  
1993-1992 (Aisin)(2WD)  
Seal ..... 710198

<sup>64</sup>Opt. Seal & Bushing Kit

# Bearings and Seals

Mfg./Year    Model & Location    Part No    Mfg./Year    Model & Location    Part No

## **DODGE TRUCK - 3/4 TON - Pickup, Van, 250 Series, 2500 Series, Sprinter 2500 (cont.)**

### **5-SPEED MANUAL TRANSMISSION (cont.)**

#### **Rear Output Shaft (cont.)**

<b>1993-1992</b> (Aisin)(4WD)	
Seal .....	1209N
<b>1993-1992</b> (New Process 4500)(2WD)	
Seal .....	7300S
Cone/Cup .....	M804049-M804010
<b>1993-1990</b> (New Process A536, 2500)(2WD)	
Seal .....	2506
Ball Bearing .....	208
<b>1993-1990</b> (New Process A536, 2500)(4WD)	
Seal .....	710058
Ball Bearing .....	208

#### **Extension Housing**

<b>1993-1990</b> (New Process 2500)	
Ball Bearing .....	1207L
<b>1993-1990</b> (New Process A535)	
Ball Bearing .....	207L

### **DRIVESHAFT SUPPORT**

<b>2002-1990</b> (Spicer 1280, 1310)(1.3780" Brg. I.D.)	
Ball Bearing .....	88107
Hanger Brg Assy .....	HB88107A

### **CRANKSHAFT FRONT SEAL**

#### **6 Cylinder**

<b>2002-1990</b> 359/5.9L (Diesel)	
Seal .....	39803
Kwik Slv (Opt Rpr) .....	KWK99248
<b>2000-1992</b> 239/3.9L	
Seal Viton .....	713103
Kwik Slv (Opt Rpr) .....	KWK99218
Harmonic Balancer Slv .....	88218
<b>1991-1990</b> 239/3.9L	
Seal .....	3103
Kwik Slv (Opt Rpr) .....	KWK99218
Harmonic Balancer Slv .....	88218

### **CRANKSHAFT FRONT SEAL**

#### **8 Cylinder**

<b>2003-1992</b> 318/5.2L, 360/5.9L	
Seal Viton .....	713103
Kwik Slv (Opt Rpr) .....	KWK99218
Harmonic Balancer Slv .....	88218
<b>1991-1990</b> 318/5.2L, 360/5.9L	
Seal .....	3103
Kwik Slv (Opt Rpr) .....	KWK99218
Harmonic Balancer Slv .....	88218

#### **10 Cylinder**

<b>2002-1994</b> 488/8.0L	
Seal Viton .....	471424V
Kwik Slv (Opt Rpr) .....	KWK99199
Harmonic Balancer Slv .....	88199

### **CRANKSHAFT REAR SEAL**

#### **6 Cylinder**

<b>2002-1990</b> 359/5.9L (Diesel)	
Seal .....	39805
Kwik Slv (Opt Rpr) .....	KWK99494
<b>2000-1990</b> 239/3.9L	
Seal .....	5414

#### **8 Cylinder**

<b>2003-1990</b> 360/5.9L	
Seal Split .....	5106
<b>2002-1990</b> 318/5.2L	
Seal .....	5414

#### **10 Cylinder**

<b>2003-1994</b> 8.0 V10	
Seal .....	50001

## **DODGE TRUCK - 1 TON - Motor Home, Pickup, Van, 350 Series, 3500 Series, Sprinter 3500**

### **FRONT WHEEL**

#### **2WD**

<b>2006-2004</b> Sprinter 3500	
Set (Inner) .....	SET45[2]
Bearing Assembly (Outer) .....	32305[2]
<b>2005-2003</b> R3500	
Hub Assembly .....	SP550103[2] <sup>25</sup>

### **FRONT WHEEL (cont.)**

#### **2WD (cont.)**

<b>2003-1998</b> B3500 (3600 lb. Axle)(8 Lug Whl.)	
Seal (Inner) .....	3087[2]
Set (Inner) .....	SET11[2]
Set (Outer) .....	SET16[2]

Mfg./Year	Model & Location	Part No	Mfg./Year	Model & Location	Part No
-----------	------------------	---------	-----------	------------------	---------

**DODGE TRUCK - 1 TON - Motor Home, Pickup, Van, 350 Series, 3500 Series, Sprinter 3500 (cont.)**

**FRONT WHEEL (cont.)**

**2WD (cont.)**

- 2003-1998 B3500 (4000 lb. Axle)(8 Lug Whl.)
  - Seal (Inner) ..... 493291[2]
  - Cone/Cup (Inner) ..... NP566582-NP980884[2]
  - Cone/Cup (Outer) ..... NP244401-NP111741[2]
- 2002-2000 R3500
  - Hub Assembly ..... HA590000[2]
  - Set Opt Tapered Roller Brg. .... SET814[2]
- 1999-1994 R3500 (Indp. Frt Axle)
  - Seal (Inner) ..... 4740[2]
  - Set (Inner) ..... SET45[2]
  - Cone/Cup (Outer) ..... 15101-15245[2]
- 1999-1994 R3500 (Solid Frt. Axle)(DRW)(w/o ABS)
  - Hub Assembly ..... HA590018[2]
- 1997-1995 B3500 (3600 lb. Axle)(8 Lug Whl.)
  - Seal (Inner) ..... 3087[2]
  - Set (Inner) ..... SET11[2]
  - Set (Outer) ..... SET16[2]
- 1997-1990 (4000 lb. Axle)(8 Lug Whl.)
  - Seal (Inner) ..... 493291[2]
  - Set (Inner) ..... SET45[2]
  - Cone/Cup (Outer) ..... 15101-15245[2]
- 1996-1990 (3300 lb. Axle)(5 Lug Whl.)
  - Seal (Inner) ..... 3087[2]
  - Set (Inner) ..... SET11[2]
  - Set (Outer) ..... SET16[2]
- 1996-1990 (3800 lb. Axle)(8 Lug Whl.)
  - Seal (Inner) ..... 493291[2]
  - Set (Inner) ..... SET45[2]
  - Cone/Cup (Outer) ..... 15101-15245[2]
- 1994-1990 (3300 lb. Axle)(8 Lug Whl.)
  - Seal (Inner) ..... 3087[2]
  - Set (Inner) ..... SET11[2]
  - Set (Outer) ..... SET16[2]
- 1991-1990 (3600 lb. Axle)(8 Lug Whl.)
  - Seal (Inner) ..... 493291[2]
  - Set (Inner) ..... SET45[2]
  - Cone/Cup (Outer) ..... 15101-15245[2]

**4WD/AWD**

- 2003-2000 Ram 3500
  - Hub Assembly ..... HA590203[2]
- 1999-1998 3500 Pickup (DRW)(ABS)
  - Hub Assembly (LH) ..... SP580103<sup>75</sup>
  - Hub Assembly (RH) ..... SP580102<sup>77</sup>
- 1999-1994 3500 Pickup (DRW)(w/o ABS)
  - Hub Assembly ..... HA590018[2]
- 1993-1990 (Spicer 60F Axle)
  - Seal (Inner) ..... 415009[2]
  - Cone/Cup (Inner) ..... 387A-382A[2]
  - Set (Outer) ..... SET38[2]
- 1990 (4000 lb. Axle)(8 Lug Whl.)
  - Seal (Inner) ..... 493291[2]
  - Set (Inner) ..... SET45[2]
  - Cone/Cup (Outer) ..... 15101-15245[2]

**REAR WHEEL**

- 2006-2003 Sprinter 3500 (DRW)
  - Bearing Assembly (Inne ..... 32011XM[2]
  - Bearing Assembly (Outer) ..... 32210M[2]
- 2006-2003 Sprinter 3500 (SRW)
  - Ball Bearing ..... 516010[2]<sup>25</sup>
- 2005-2003 R3500 (DRW)
  - Cone/Cup (Inner) ..... 45291-45220[2]
  - Set (Outer) ..... SET38[2]
- 2005-2003 R3500 (SRW)
  - Cone/Cup (Inner) ..... 28682-28622[2]
  - Set (Outer) ..... SET38[2]
- 2003-1995 B3500 (Dana/Spicer 60)(12"x3" Brks.)(9000 lb. GVW)
  - Seal (Inner) ..... 417158[2]
  - Cone/Cup (Inner) ..... 28682-28622[2]
  - Set (Outer) ..... SET38[2]
- 2003-1990 B3500 (9.25" R.G.)(H/D)
  - Seal ..... 710067[2]
  - Cylindrical Bearing ..... R1561TV[2]
  - Kit ..... TF01561R[2]<sup>19</sup>
- 2003-1990 B3500 (9.25" R.G.)(w/o H/D)
  - Seal ..... 8835S[2]
  - Cylindrical Bearing ..... 6408[2]
  - Kit ..... TRP1559TV[2]<sup>19</sup>
- 2003-1990 B, D, W (Spicer 60 Axle)(12x2.5" Brks.)
  - Seal (Inner) ..... 4250[2]
  - Set (Inner) ..... SET38[2]
  - Set (Outer) ..... SET38[2]
- 2002-1994 R3500
  - Seal (Inner) ..... 455086[2]
  - Cone/Cup (Inner) ..... 45291-45220[2]
  - Set (Outer) ..... SET38[2]
- 1994-1990 B350, D350, W350 (Spicer 70)(12x3" Brks.)(Exc. 9000 GVW)
  - Seal (Inner) ..... 455086[2]
  - Cone/Cup (Inner) ..... 45291-45220[2]
  - Set (Outer) ..... SET38[2]
- 1994-1990 (Spicer 70 Axle)(12x3" Brks.)(9000 GVW)
  - Seal (Inner) ..... 417158[2]
  - Cone/Cup (Inner) ..... 28682-28622[2]
  - Set (Outer) ..... SET38[2]
- 1993-1990 D350, W350 (Spicer 71)(12x3" Brks.)
  - Seal (Inner) ..... 455086[2]
  - Cone/Cup (Inner) ..... 45291-45220[2]
  - Set (Outer) ..... SET38[2]

**4WD FRONT AXLE**

**Axle Shaft**

- 1993-1990 (Dana/Spicer 60F axle)
  - Seal ..... 470682[2]

<sup>19</sup>Opt. Axle Rpr Brg. Replaces O.E. Brg & Seal  
<sup>77</sup>8 Lug. New # Check For Availability

<sup>25</sup>New Item, Check For Availability

<sup>75</sup>8 Lug.



# Bearings and Seals

Mfg./Year	Model & Location	Part No	Mfg./Year	Model & Location	Part No
<b>DODGE TRUCK - 1 TON - Motor Home, Pickup, Van, 350 Series, 3500 Series, Sprinter 3500 (cont.)</b>					

## 4WD FRONT AXLE

### Differential Rebuild Kit

2002-1990 (Dana/Spicer 60 axle)	
Kit	DRK331
2002-1990 (Dana 44 axle)	
Kit	DRK339B

### Differential

2005-2003 (9.25" R.G.)	
Set	SET42[2]
2002-1990 (Dana/Spicer 60F, 70F axle)	
Cone/Cup	387A-382S[2]

### Pinion

2005-2003 (9.25" R.G.)	
Cone/Cup (Inner)	HM804846-HM804810
Cone/Cup (Outer)	HM88649-HM88610
2002-1990 (Dana/Spicer 60F axle)	
Cone/Cup (Inner)	HM803146-HM803110
Seal (Outer)	9316
Cone/Cup (Outer)	HM88542-HM88510

### Spindle Kit

1993-1990 (Dana/Spicer 60F axle)	
Bearing & Seal Kit	SBK3 <sup>35</sup>

### Spindle

1993-1990 (Dana/Spicer 60F axle)	
Seal (Inner)	710044
Needle Bearing (Inner)	B2414
Seal (Outer)	710045

## REAR AXLE

### Differential Rebuild Kit

2002-1994 (Dana/Spicer 80 axle)	
Kit	DRK337
2002-1990 (Dana/Spicer 60 axle)	
Kit	DRK331
2002-1990 (9.25" R.G.)	
Kit	DRK304
1993-1990 (Dana/Spicer 70U, 71 axle)	
Kit	DRK332U

### Differential

2005-2003 (11.5" R.G.)	
Cone/Cup	3984-3920[2]
2003-1990 (9.25" R.G.)	
Cone/Cup	JLM704649-JLM704610[2]
2002-1994 (Dana/Spicer 80 axle)	
Cone/Cup	469-453X[2]
2002-1990 (Dana/Spicer 60, 60HD, 70, 70U, 71 axle)	
Cone/Cup	387A-382S[2]

## REAR AXLE

### Pinion

2005-2003 (11.5" R.G.)	
Cone/Cup (Inner)	HM807046-HM807010
Cone/Cup (Outer)	NP457992-NP926068
2003-2000 (9.25" R.G.)	
Cone/Cup (Inner)	NP524102-NP912904
Cone/Cup (Outer)	M88048-M88010
2002-1994 (Dana/Spicer 80 axle)	
Cone/Cup (Inner)	HM807046-HM807010
Seal Viton (Outer)	4525V
Cone/Cup (Outer)	M802048-M802011
Kwik Slv (Opt Rpr)	KWK99253
2002-1990 (Dana/Spicer 60, 60HD axle)	
Cone/Cup (Inner)	HM803146-HM803110
Seal Viton (Outer)	719316
Cone/Cup (Outer)	HM88542-HM88510
Kwik Slv (Opt Rpr)	KWK99187
1999-1990 (9.25" R.G.)	
Cone/Cup (Inner)	M804049-M804010
Seal (Outer)	5126
Cone/Cup (Outer)	M88048-M88010
Kwik Slv (Opt Rpr)	KWK99187
1993-1990 (Dana/Spicer 70U, 71 axle)	
Cone/Cup (Inner)	HM803149-HM803110
Seal (Outer)	9316
Cone/Cup (Outer)	HM88542-HM88510

## TRANSFER CASE REBUILD KIT

2002-1995 (New Process 241)	
Kit	TCRK241D <sup>16</sup>
2002-1990 (New Process 205)	
Kit	TCRK205D
1994-1993 (New Process 241)	
Kit	TCRK241
1992-1990 (New Process 241)	
Kit	TCRK241A <sup>16</sup>

## TRANSFER CASE

### Input Shaft

2002-1994 (New Process 241)	
Seal	3173[2]
Ball Bearing	110L
Seal Dual Lip Pilot	710928
Kwik Slv (Opt Rpr)	KWK99193
Needle Bearing Pilot	FC66561
1993-1990 (New Process 205)(A/T)	
Seal	473468[2]
Ball Bearing	1307L[2]
Kwik Slv (Opt Rpr)	KWK99212
Needle Bearing Pilot	QAR29523[15]
1993-1990 (New Process 205)(M/T)	
Seal	3173[2]
Ball Bearing	1210L[2]
Seal Dual Lip Pilot	710928
Kwik Slv (Opt Rpr)	KWK99193
Needle Bearing Pilot	QAR29523[15]

Mfg./Year	Model & Location	Part No	Mfg./Year	Model & Location	Part No
-----------	------------------	---------	-----------	------------------	---------

---

**DODGE TRUCK - 1 TON - Motor Home, Pickup, Van, 350 Series, 3500 Series, Sprinter 3500 (cont.)**

---

**TRANSFER CASE**

**Front Output Shaft**

<b>2002-1994</b> (New Process 241)	
Seal .....	3946
<b>1993-1990</b> (New Process 205)	
Seal .....	473313
Ball Bearing .....	307L[2]
Kwik Slv (Opt Rpr) .....	KWK99174
Needle Bearing Pilot .....	M28161

**Rear Output Shaft**

<b>2002-1994</b> (New Process 241)	
Seal .....	4333N
Ball Bearing .....	207XLO
Needle Bearing Pilot .....	B5020[2]
<b>1993-1990</b> (New Process 205)	
Seal .....	473468
Ball Bearing .....	307L
Kwik Slv (Opt Rpr) .....	KWK99212
Needle Bearing Pilot .....	B3216

**Idler Shaft**

<b>1993-1990</b> (New Process 205)	
Cone/Cup .....	2793-2720[2]

**Low Gear Roller**

<b>1993-1990</b> (New Process 205)	
Needle Bearing .....	QBR23549

**Oil Pump Housing**

<b>2002-1994</b> (New Process 241)	
Seal .....	341022
Kwik Slv (Opt Rpr) .....	KWK99225

**Selector Shaft Seal/Man. Shaft**

<b>1993-1990</b> (New Process 205)	
Seal .....	2287[2]
Kwik Slv (Opt Rpr) .....	KWK99076

**TRANSMISSION REBUILD KIT**

<b>2002-1992</b> (New Venture 4500)	
Kit .....	TRK4500D
<b>1993-1990</b> (Getrag G360)	
Kit .....	TRK261

**3-SPEED AUTOMATIC TRANSMISSION**

**Torque Converter**

<b>2002-1990</b> (A727, 36RH)	
Seal .....	331227H
Kwik Slv (Opt Rpr) .....	KWK99187
<b>2000-1990</b> (A904, A998, A999, 31RH, 32RH)	
Seal .....	331228H
Kwik Slv (Opt Rpr) .....	KWK99149

**3-SPEED AUTOMATIC TRANSMISSION**

**Rear Seal/Ext. Housing**

<b>2002-1990</b> (A727, 36RH)	
Seal .....	7300S
Ball Bearing .....	207XLO
Seal Kit .....	5206 <sup>64</sup>
<b>2000-1990</b> (A998, A999, 31RH, 32RH)	
Seal .....	2506
Ball Bearing .....	206LOE <sup>38</sup>

**Clutch Cam**

<b>1993-1990</b> (A727)	
Needle Bearing .....	W585Q[12]

**Selector Shaft Seal/Man. Shaft**

<b>2000-1990</b>	
Seal .....	8609

**4-SPEED AUTOMATIC TRANSMISSION**

**Torque Converter**

<b>2002-1990</b> (A500, 46RE)	
Seal .....	331228H
Kwik Slv (Opt Rpr) .....	KWK99149
<b>2002-1990</b> (A518, 46RH, 47RH)	
Seal .....	331227H
Kwik Slv (Opt Rpr) .....	KWK99187

**Rear Seal/Ext. Housing**

<b>2002-1990</b> (A500, A518, 46RE, 46RH, 47RH)(2 WD)	
Seal .....	7300S
Ball Bearing .....	207XLO
Seal Kit .....	5206 <sup>64</sup>
<b>2002-1990</b> (A500, A518, 46RE, 46RH, 47RH)(4 WD)	
Seal .....	710058
Ball Bearing .....	207XLO

**Selector Shaft Seal/Man. Shaft**

<b>2002-1990</b> (A500, A518, 46RE, 46RH, 47RH)	
Seal .....	8609

**CLUTCH**

**Pilot Bearing**

<b>2002-2000</b> 8 Cyl.	
Needle Bearing .....	FC69907
<b>1997-1994</b> 488 (8.0) V10	
Needle Bearing .....	SCE1211
<b>1996-1992</b> 6 Cyl.	
Needle Bearing .....	SCE1295
<b>1996-1992</b> 8 Cyl.	
Needle Bearing .....	SCE1295
<b>1996-1990</b> (Cummins Turbo Diesel)	
Needle Bearing .....	SCE1211
<b>1991-1990</b>	
Bushing H/D .....	PB286HD

<sup>38</sup>Use Old Snap Ring      <sup>64</sup>Opt. Seal & Bushing Kit

# Bearings and Seals

Mfg./Year    Model & Location    Part No    Mfg./Year    Model & Location    Part No

## ***DODGE TRUCK - 1 TON - Motor Home, Pickup, Van, 350 Series, 3500 Series, Sprinter 3500 (cont.)***

### **CLUTCH**

#### **Release Bearing**

<b>2002-1994</b>	488 (8.0) V10	
	Bearing Assembly	614114
<b>2002-1994</b>	5.9L (6 Cyl. Dsl.)	
	Bearing Assembly	614114
<b>2002-1994</b>	5.9L (V8 Gas)	
	Bearing Assembly	614093
<b>1996-1994</b>	(Cummins Turbo Diesel)(Getrag 5 Spd.)	
	Bearing Assembly	614114
<b>1996-1992</b>	(w/o Cummins Turbo Diesel and V10)	
	Bearing Assembly	614093
<b>1993-1990</b>	(Cummins Turbo Diesel)(Getrag 5 Spd.)	
	Bearing Assembly	614070
<b>1991-1990</b>	(w/o Cummins Turbo Diesel)	
	Bearing Assembly	614054

### **4-SPEED MANUAL TRANSMISSION**

#### **Transmission Rebuild Kit**

<b>1993-1990</b>	(New Process 435)	
	Kit	TRK127G <sup>53</sup>
<b>1993-1990</b>	(New Process 435)	
	Kit	TRK127B <sup>54</sup>

#### **Input Shaft**

<b>1993-1990</b>	(New Process 435)	
	Seal	9376
	Ball Bearing	308L
<b>1990</b>	(New Process A833)	
	Seal	9376
	Ball Bearing	308LOE

#### **Mainshaft Pilot**

<b>1993-1990</b>	(New Process 420, 435, 445)	
	Needle Bearing	Q15902[14]

#### **Countershaft**

<b>1993-1990</b>	(New Process 435)	
	Needle Bearing (Frt)	BCE2416
	Needle Bearing (Rr)	B3216
	Needle Bearing Thrust	NTA2031

#### **Reverse Idler**

<b>1993-1990</b>	(New Process 435)	
	Needle Bearing	C407Q

#### **Rear Output Shaft**

<b>1993-1990</b>	(New Process 435)	
	Seal	8160S
	Ball Bearing	308L

### **5-SPEED MANUAL TRANSMISSION**

#### **Transmission Rebuild Kit**

<b>2004-1997</b>	(New Process 4500)	
	Kit	TRK4500DNI
<b>2000-1994</b>	(New Process 3500)	
	Kit	TRK235C
<b>1996-1990</b>	(New Process 4500)	
	Kit	TRK4500DN

#### **Front Input Shaft**

<b>2004-1992</b>	(New Process 4500)	
	Seal	714655
	Cone/Cup	M802048CP-M802011AP
	Kwik Slv (Opt Rpr)	KWK99133
<b>2000-1994</b>	(New Process 3500)	
	Seal	4529N
	Ball Bearing	307FFLS
	Kwik Slv (Opt Rpr)	KWK99138
<b>1993-1992</b>	(Aisin)	
	Seal	223253
	Kwik Slv (Opt Rpr)	KWK99128
<b>1993-1990</b>	(New Process A536, 2500)	
	Seal	9376
	Ball Bearing	307LI
	Kwik Slv (Opt Rpr)	KWK99106

#### **Front Countershaft**

<b>2004-1992</b>	(New Process 4500)	
	Cone/Cup	LM102949CP-LM102910P

#### **Rear Countershaft**

<b>2004-1992</b>	(New Process 4500)	
	Cone/Cup	LM501349HP-LM501310P

#### **Rear Output Shaft**

<b>2004-1994</b>	(New Process 4500)(2WD)	
	Seal	2465
	Cone/Cup	M804049-M804010
<b>2004-1992</b>	(New Process 4500)(4WD)	
	Seal	710058
	Cone/Cup	M804049-M804010
<b>2002-1994</b>	(New Process 3500)(4WD)	
	Seal	4532N
	Ball Bearing	307FFTB
<b>2000-1994</b>	(New Process 3500)(4WD)	
	Seal	2465
	Ball Bearing	307FFTB
<b>1993-1992</b>	(Aisin)(2WD)	
	Seal	710198
<b>1993-1992</b>	(Aisin)(4WD)	
	Seal	1209N
<b>1993-1992</b>	(New Process 4500)(2WD)	
	Seal	7300S
	Cone/Cup	M804049-M804010
<b>1993-1990</b>	(New Process A536, 2500)(2WD)	
	Seal	2506
	Ball Bearing	208

Mfg./Year	Model & Location	Part No	Mfg./Year	Model & Location	Part No
<b>DODGE TRUCK - 1 TON - Motor Home, Pickup, Van, 350 Series, 3500 Series, Sprinter 3500 (cont.)</b>					

**5-SPEED MANUAL TRANSMISSION (cont.)**

**Rear Output Shaft (cont.)**

<b>1993-1990</b>	(New Process A536, 2500)(4WD)	
Seal	.....	710058
Ball Bearing	.....	208

**DRIVESHAFT SUPPORT**

<b>1998-1990</b>	(Spicer )(1.3780" Brg. I.D.)	
Ball Bearing	.....	88107
Hanger Brg Assy	.....	HB88107A
Hanger Brg Assy	Assy.	
w/ Slings	.....	HB88107B

**CRANKSHAFT FRONT SEAL**

**6 Cylinder**

<b>2002-1990</b>	359/5.9L (Diesel)	
Seal	.....	39803
Kwik Slv (Opt Rpr)	.....	KWK99248
<b>1990</b>	239/3.9L	
Seal	.....	3103
Harmonic Balancer Slv	.....	88218

**CRANKSHAFT FRONT SEAL**

**8 Cylinder**

<b>2002-1992</b>	318/5.2L, 360/5.9L	
Seal Viton	.....	713103
Kwik Slv (Opt Rpr)	.....	KWK99218
<b>1991-1990</b>	318/5.2L, 360/5.9L	
Seal	.....	3103
Kwik Slv (Opt Rpr)	.....	KWK99218

**10 Cylinder**

<b>2002-1994</b>	488 (8.0) V10	
Seal Viton	.....	471424V
Kwik Slv (Opt Rpr)	.....	KWK99199
Harmonic Balancer Slv	.....	88199

**CRANKSHAFT REAR SEAL**

**6 Cylinder**

<b>2002-1990</b>	359/5.9L (Diesel)	
Seal	.....	39805
Kwik Slv (Opt Rpr)	.....	KWK99494
<b>1990</b>	239/3.9L	
Seal	.....	5414

**8 Cylinder**

<b>2002-1990</b>	360/5.9L	
Seal Split	.....	5106

**EAGLE - Premier, Summit, Talon, Vision, Vista, 2000 GTX**

**FRONT WHEEL**

<b>1998-1995</b>	Talon, Talon (AWD)	
Hub Assembly	.....	513157[2]
<b>1997-1993</b>	Vision	
Hub Assembly	.....	513089[2]
<b>1996-1993</b>	Summit	
Seal (Inner)	.....	8430S[2]
Ball Bearing (Inner)	.....	510016[2]
Seal (Outer)	.....	4898[2]
<b>1996-1992</b>	Summit Wagon	
Seal (Inner)	.....	225450[2]
Ball Bearing (Inner)	.....	513036[2]
Seal (Outer)	.....	225230[2]
<b>1994-1993</b>	Vista (Canada)	
Seal (Inner)	.....	8430S[2]
Ball Bearing (Inner)	.....	510016[2]
Seal (Outer)	.....	4898[2]
<b>1994-1990</b>	Talon, Talon (AWD)	
Seal (Inner)	.....	225450[2]
Ball Bearing (Inner)	.....	513036[2]
Seal (Outer)	.....	225230[2]
<b>1993-1991</b>	2000 GTX	
Seal (Inner)	.....	225450[2]
Ball Bearing (Inner)	.....	513036[2]
Seal (Outer)	.....	225230[2]

**FRONT WHEEL (cont.)**

<b>1993-1991</b>	2000 GTX (AWD)	
Seal (Inner)	.....	225450[2]
Ball Bearing (Inner)	.....	513036[2]
Seal (Outer)	.....	225230[2]
<b>1992-1990</b>	Summit	
Seal	.....	474134[2]
Set	.....	SET41[2]
<b>1992-1990</b>	Premier	
Ball Bearing	.....	513144K[2]
<b>1991-1990</b>	Vista (4WD)	
Seal (Inner)	.....	225082[2]
Ball Bearing (Inner)	.....	513036[2]
Seal (Outer)	.....	225230[2]
<b>1991-1990</b>	Vista (Canada)	
Seal	.....	474134[2]
Set	.....	SET41[2]

**REAR WHEEL**

<b>1998-1995</b>	Talon (AWD)	
Bearing Module	.....	512181[2]
<b>1998-1995</b>	Talon (FWD)	
Hub Assembly	.....	HA590306[2] <sup>25</sup>
Bearing Module Opt	.....	512136[2]
<b>1998-1993</b>	Vision (Disc Brks.)	
Hub Assembly	.....	512029[2]
<b>1998-1993</b>	Vision (Drum Brks.)	
Hub Assembly	.....	512030[2]

<sup>25</sup>New Item, Check For Availability

# Bearings and Seals

Mfg./Year	Model & Location	Part No	Mfg./Year	Model & Location	Part No
-----------	------------------	---------	-----------	------------------	---------

## **EAGLE - Premier, Summit, Talon, Vision, Vista, 2000 GTX (cont.)**

### **REAR WHEEL (cont.)**

<b>1996-1993</b>	Summit (ABS)(Disc Brks.)	
	Hub Assembly .....	512033[2]
<b>1996-1993</b>	Summit (w/o ABS)	
	Hub Assembly .....	512148[2]
<b>1996-1992</b>	Summit Wagon	
	Hub Assembly .....	512040[2]
<b>1996-1992</b>	Summit Wagon (AWD)	
	Ball Bearing .....	511013[2]
<b>1994-1990</b>	Talon (AWD)	
	Seal (Inner) .....	710152[2]
	Ball Bearing (Inner) .....	511014[2]
	Ball Bearing (Outer) .....	511015[2]
<b>1994-1990</b>	Talon (FWD)(ABS)	
	Hub Assembly .....	512011[2] <sup>81</sup>
<b>1994-1990</b>	Talon (FWD)(w/o ABS)	
	Hub Assembly .....	512010[2]
<b>1993-1991</b>	2000 GTX (Disc Brks.)	
	Hub Assembly .....	512158[2]
<b>1993-1991</b>	2000 GTX (Drum Brks.)	
	Seal (Inner) .....	1196[2]
	Set (Inner) .....	SET4[2]
	Set (Outer) .....	SET1[2]
<b>1992-1991</b>	Summit (Diamond Star Drum Brks.)	
	Hub Assembly .....	512037[2]
<b>1992-1991</b>	Summit (Mitsubishi Drum Brks.)	
	Seal (Inner) .....	1205N[2]
	Bearing Assembly (Inne .....	516001WB[2]
	Bearing Assembly (Outer) .....	516001WB[2]
<b>1992-1990</b>	Premier (ABS)(Disc Brks.)	
	Hub Assembly .....	513072[2]
<b>1992-1990</b>	Premier (w/o ABS)(Drum Brks.)	
	Hub Assembly .....	513070[2]
<b>1990</b>	Summit (2 Dr.)(Disc Brk.)	
	Seal (Inner) .....	1205N[2]
	Bearing Assembly (Inne .....	516000[2]
	Bearing Assembly (Outer) .....	516000[2]
<b>1990</b>	Summit (2 Dr.)(Mitsubishi Drum Brk.)	
	Seal (Inner) .....	1205N[2]
	Bearing Assembly (Inne .....	516001WB[2]
	Bearing Assembly (Outer) .....	516001WB[2]
<b>1990</b>	Summit (4 Dr.)	
	Seal (Inner) .....	1205N[2]
	Bearing Assembly (Inne .....	513029[2]
	Bearing Assembly (Outer) .....	513029[2]

### **CLUTCH**

#### **Release Bearing**

<b>1998-1995</b>	Talon (FWD)(w/o Turbo)	
	Bearing Assembly .....	614121
<b>1998-1991</b>	Talon (AWD)	
	Bearing Assembly .....	614099
<b>1996-1993</b>	Summit (AWD)	
	Bearing Assembly .....	614099
<b>1996-1990</b>	Summit (FWD)	
	Bearing Assembly .....	614126

### **CLUTCH (cont.)**

#### **Release Bearing (cont.)**

<b>1994-1990</b>	Talon (FWD)	
	Bearing Assembly .....	614126
<b>1992-1990</b>	Premier 3.0 V6	
	Bearing Assembly .....	614092

### **3-SPEED AUTOMATIC TRANSAXLE**

#### **Torque Converter**

<b>1996-1990</b>	(F3A22, F3A21 3, KM171 5, KM171)	
	Seal .....	320583
	Kwik Slv (Opt Rpr) .....	KWK99157

#### **Transfer Shaft**

<b>1996-1991</b>	(F3A21 2)	
	Bearing Assembly .....	30207M
<b>1990</b>	(KM171, KM171 5)	
	Bearing Assembly (Inne .....	30206M
	Bearing Assembly (Outer) .....	30304

#### **Transfer Gear**

<b>1996-1990</b>	(KM171, F3A21 2, KM171 5)	
	Ball Bearing (Inner) .....	207
	Ball Bearing (Outer) .....	306L

#### **Transfer Idler**

<b>1996-1991</b>	(F3A21 2)	
	Bearing Assembly .....	30206M

#### **Output Shaft**

<b>1996-1990</b>	(F3A22, F3A21 3, KM171 5, KM171)	
	Seal .....	223543[2]
	Kwik Slv (Opt Rpr) .....	KWK99139[2]

#### **Differential**

<b>1996-1990</b>	(KM171, F3A21 2, KM171 5)	
	Ball Bearing .....	207[2]

### **4-SPEED AUTOMATIC TRANSAXLE**

#### **Differential**

<b>1998-1997</b>	(A604 41TE)(AWD)(Prod. from mid 1997 on)	
	Cone/Cup (LH) .....	NP889967-NP714580
	Cone/Cup (RH) .....	NP952605-JL69310P
<b>1998-1997</b>	(A604 41TE)(Prod. from mid 1997 on)	
	Cone/Cup (LH) .....	NP889967-NP714580
	Cone/Cup (RH) .....	NP952605-JL69310P
<b>1997</b>	(A604 41TE)(AWD)(Prod. thru mid 1997)	
	Cone/Cup (LH) .....	NP889967-NP714580
	Cone/Cup (RH) .....	JL69348-JL69310

**4-SPEED AUTOMATIC TRANSAXLE  
(cont.)**

**Differential (cont.)**

<b>1997-1996</b>	(A604 41TE)(Prod. thru mid 1997)	
	Cone/Cup (LH) .....	NP889967-NP714580
	Cone/Cup (RH) .....	JL69348-JL69310
<b>1997-1993</b>	(A606, 42LE)	
	Seal .....	3459S[2]
	Set .....	SET36[2]
	Kwik Slv (Opt Rpr) .....	KWK99157[2]
<b>1995-1994</b>	(A604 41TE)(AWD)	
	Cone/Cup (LH) .....	JL69349-JL69310
	Cone/Cup (RH) .....	LM503349-LM503310
<b>1995-1991</b>	(A604 41TE)	
	Cone/Cup .....	JL69348-JL69310[2]
<b>1993-1991</b>	(A604 41TE)(AWD)	
	Cone/Cup (LH) .....	JL69348-JL69310
	Cone (RH) .....	LM503349
<b>1992-1990</b>	(ZF 4 HP18)	
	Cone/Cup (LH) .....	LM806649-LM806610
	Cone/Cup (RH) .....	LM300849-LM300811
<b>1991-1990</b>	(A604, A670)	
	Set .....	SET11[2]

**Torque Converter**

<b>1998-1993</b>	(41TE, 42LE)	
	Seal .....	331228H
	Kwik Slv (Opt Rpr) .....	KWK99149
<b>1997-1990</b>	(F4A21 2, F4A22 2, F4A33 1, KM176 5, KM175 5, W4A32 1, W4A33 1)	
	Seal .....	320583
	Kwik Slv (Opt Rpr) .....	KWK99157
<b>1992-1990</b>	(ZF 4 HP18FL Premier)	
	Seal .....	224510
	Kwik Slv (Opt Rpr) .....	KWK99177

**Transfer Shaft**

<b>1998-1996</b>	(A604, 41TE)	
	Cone/Cup (Inner) .....	NP853895-NP352518
	Set (Outer) .....	SET45
<b>1998-1993</b>	(A606, 42LE)	
	Cone/Cup (Outer) .....	26131H-26334
	Cone/Cup (Inner) .....	M802048-M802011
<b>1995-1990</b>	(A604, 41TE)	
	Cone/Cup (Inner) .....	13687-13623X
	Set (Outer) .....	SET45
<b>1991-1990</b>	(A604, A670)	
	Set .....	SET11[2]

**4-SPEED AUTOMATIC TRANSAXLE  
Output Shaft**

<b>1998-1997</b>	(A604 41TE)(AWD)(Prod. from mid 1997 on)	
	Cone/Cup (Outer) .....	LM300848-LM300911
	Cone/Cup (Inner) .....	NP952605-JL69310P
<b>1998-1997</b>	(A604 41TE)(Prod. from mid 1997 on)	
	Cone/Cup (Outer) .....	LM300848-LM300911
	Cone/Cup (Inner) .....	NP952605-JL69310P
<b>1998-1997</b>	(A606 42LE)(Prod. from mid 1997 on)	
	Cone/Cup (Outer) .....	NP952605-JL69310P
	Cone/Cup (Inner) .....	LM300848-LM300811
<b>1997-1991</b>	(A604 41TE)(AWD)(Prod. thru mid 1997)	
	Cone/Cup (Outer) .....	LM300848-LM300811
	Cone/Cup (Inner) .....	JL69348-JL69310
<b>1997-1991</b>	(A604 41TE)(Prod. thru mid 1997)	
	Cone/Cup (Outer) .....	LM300848-LM300811
	Cone/Cup (Inner) .....	JL69348-JL69310
<b>1990</b>	(A604, A670)	
	Seal .....	3459S[2]
	Set .....	SET17[2]

**Pinion**

<b>1992-1990</b>	(ZF 4 HP18FL Premier)	
	Seal Viton .....	710279
	Kwik Slv (Opt Rpr) .....	KWK99215

**Extension Housing**

<b>1997-1990</b>	(W4A32 1, W4A33 1)	
	Seal .....	710317
	Kwik Slv (Opt Rpr) .....	KWK99128

**Selector Shaft Seal/Man. Shaft**

<b>1992-1990</b>	(A604, A604 41TE, A670)	
	Seal .....	8609

**4-SPEED MANUAL TRANSAXLE**

**Differential**

<b>1992-1990</b>	(F4M21 1)	
	Ball Bearing .....	207[2]

**Input Shaft**

<b>1992-1990</b>	(F4M21 1, KM200 0)	
	Seal Viton .....	712007
	Kwik Slv (Opt Rpr) .....	KWK99098

**Output Shaft**

<b>1992-1990</b>	(F4M21 1, KM200 0)	
	Seal .....	223543[2]
	Bearing Assembly .....	30206M[2]
	Kwik Slv (Opt Rpr) .....	KWK99139[2]

# Bearings and Seals

Mfg./Year	Model & Location	Part No	Mfg./Year	Model & Location	Part No
-----------	------------------	---------	-----------	------------------	---------

## **EAGLE - Premier, Summit, Talon, Vision, Vista, 2000 GTX (cont.)**

### **4-SPEED MANUAL TRANSAXLE**

#### **Selector Shaft Seal/Man. Shaft**

1992-1990 (F4M21 1, KM200 O)  
Seal ..... 710222

### **5-SPEED MANUAL TRANSAXLE**

#### **Differential**

1998-1995 (A578)  
Seal ..... 3459S[2]  
Set ..... SET11[2]  
Kwik Slv (Opt Rpr) .....KWK99157[2]  
1997-1990 (F5M21 1, F5M21 2, W5M31  
2, W5M33 2, KM201 O,  
KM215 O)  
Ball Bearing ..... 207[2]  
1996-1990 (KM182 2, F5M22 2, KM182  
0, KM206 O, KM206, KM221  
1)  
Bearing Assembly ..... 30207M[2]

#### **Input Shaft**

1997-1990 (KM206, F5M21 1, F5M21 1,  
F5M21 2, F5M22 1, F5M22 2,  
W5M31 2, W5M33 2, KM215  
O)  
Seal Viton ..... 712007  
Kwik Slv (Opt Rpr) .....KWK99098  
1991-1990 (KM182 2, KM182 O)  
Seal Viton (Frt) ..... 712007  
Kwik Slv (Opt Rpr) .....KWK99098  
Ball Bearing (Center) ..... 304WB  
Bearing Assembly (Rr) ..... 30304  
1990 (KM201 O, KM206 O)  
Seal Viton (Frt) ..... 712007  
Kwik Slv (Opt Rpr) .....KWK99098  
Ball Bearing (Center) ..... 304WB  
Ball Bearing (Rr) ..... 108A

#### **Countershaft**

1990 (KM201 O, KM206 O)  
Ball Bearing (Frt) ..... RW122  
Ball Bearing (Rr) ..... 108A

#### **Output Shaft**

1997-1993 (F5M33 1)  
Seal Viton ..... 710259[2]  
1997-1990 (W5M33 2)  
Seal (LH) ..... 223543  
Kwik Slv (Opt Rpr) (LH) .....KWK99139  
Seal (RH) ..... 710199  
Kwik Slv (Opt Rpr) (RH) .....KWK99139  
1996-1993 (F5M22 2)  
Seal ..... 223543[2]  
Kwik Slv (Opt Rpr) .....KWK99139[2]  
1996-1990 (F5M21 1, F5M21 2, F5M22 1,  
F5M22 2, KM201 O, KM206,  
KM206 O)  
Seal ..... 223543[2]  
Bearing Assembly ..... 30206M[2]  
Kwik Slv (Opt Rpr) .....KWK99139[2]

### **5-SPEED MANUAL TRANSAXLE (cont.)**

#### **Output Shaft (cont.)**

1993-1992 (W5M31 2)  
Seal (LH) ..... 223543  
Kwik Slv (Opt Rpr) (LH) .....KWK99139  
Seal (RH) ..... 1981  
Kwik Slv (Opt Rpr) (RH) .....KWK99114  
1992-1990 (F5M31 2, F5M33 1, KM215 O)  
Seal ..... 223543[2]  
Kwik Slv (Opt Rpr) .....KWK99139[2]  
1992-1990 (Renault UN1)  
Seal ..... 224235[2]  
1991-1990 (KM182 2, KM182 O)  
Seal ..... 223543[2]  
Kwik Slv (Opt Rpr) .....KWK99139[2]

#### **Pinion**

1997-1990 (W5M31 2, W5M33 2)  
Seal ..... 223014  
Kwik Slv (Opt Rpr) .....KWK99114

#### **Selector Shaft Seal/Man. Shaft**

1998-1995 (A578)  
Seal ..... 3816  
1996-1990 (F5M21 1, F5M21 2, F5M22 2,  
KM182 2, KM182 O, KM201 O,  
KM206 O)  
Seal ..... 710222

#### **Extension Housing**

1993-1992 (W5M31 2)  
Seal ..... 710317

### **CAMSHAFT SEAL**

#### **4 Cylinder**

1998-1995 122/2.0L (DOHC)  
Seal Viton ..... 320249[2]  
Kwik Slv (Opt Rpr) .....KWK99139[2]  
1998-1995 1595cc/1.6L (DOHC)  
Seal ..... 3771[2]  
Kwik Slv (Opt Rpr) .....KWK99139  
1998-1995 1997cc/2.0L (TURBO)  
Seal ..... 3771  
Kwik Slv (Opt Rpr) .....KWK99139  
1996-1990 1468cc/1.5L, 1755cc/1.8L,  
1834cc/1.8L, 2351cc/2.4L  
Seal ..... 3771  
Kwik Slv (Opt Rpr) .....KWK99139  
1994-1990 1595cc/1.6L (DOHC),  
1997cc/2.0L (DOHC)  
Seal ..... 3771[2]  
Kwik Slv (Opt Rpr) .....KWK99139[2]

#### **6 Cylinder**

1997-1993 215/3.5L  
Seal ..... 714655[2]  
Kwik Slv (Opt Rpr) .....KWK99112[2]

Mfg./Year	Model & Location	Part No	Mfg./Year	Model & Location	Part No
-----------	------------------	---------	-----------	------------------	---------

**EAGLE - Premier, Summit, Talon, Vision, Vista, 2000 GTX (cont.)**

**CRANKSHAFT FRONT SEAL**

**4 Cylinder**

<b>1998-1995</b>	122/2.0L (DOHC)	
Seal Viton	.....	320348
Kwik Slv (Opt Rpr)	.....	KWK99128
<b>1998-1990</b>	1595cc/1.6L (DOHC), 1597cc/1,6L, 1755cc/1.8L, 1997cc/2.0L, 2351cc/2.4L	
Seal	.....	224460
<b>1996-1992</b>	1834cc/1.8L	
Seal	.....	223750
Kwik Slv (Opt Rpr)	.....	KWK99145
<b>1996-1990</b>	1468cc/1.5L	
Seal	.....	223018
Kwik Slv (Opt Rpr)	.....	KWK99114

**6 Cylinder**

<b>1997-1993</b>	201/3.3L, 215/3.5L	
Seal	.....	3638
Kwik Slv (Opt Rpr)	.....	KWK99112
<b>1992-1990</b>	2970cc/3.0L	
Seal Viton	.....	710196
Kwik Slv (Opt Rpr)	.....	KWK99157

**CRANKSHAFT REAR SEAL**

**4 Cylinder**

<b>1998-1995</b>	122/2.0L (DOHC)	
Seal Viton	.....	710056
Seal PTFE H/D Opt	.....	5279
<b>1998-1990</b>	150/2.5L	
Seal Viton	.....	716445
Kwik Slv (Opt Rpr)	.....	KWK99294
<b>1996-1990</b>	1468cc/1.5L, 1755cc/1.8L	
Seal	.....	227235
<b>1992-1990</b>	1595cc/1.6L (DOHC), 1997cc/2.0L (DOHC), 2351cc/2.4L	
Seal Viton	.....	228005
Kwik Slv (Opt Rpr)	.....	KWK99315

**6 Cylinder**

<b>1997-1993</b>	201/3.3L, 215/3.5L	
Seal Viton	.....	710056
Seal PTFE H/D Opt	.....	5279
<b>1992-1990</b>	2970cc/3.0L	
Seal	.....	228010
Kwik Slv (Opt Rpr)	.....	KWK99315

**FERRARI - F40, Testarossa, 348 Coupe**

**FRONT WHEEL**

<b>1995-1990</b>	348	
Set (Inner)	.....	SET5[2]
Set (Outer)	.....	SET16[2]
<b>1992-1990</b>	Testarossa	
Set (Inner)	.....	SET5[2]
Set (Outer)	.....	SET16[2]
<b>1991-1990</b>	F40	
Set (Inner)	.....	SET5[2]
Set (Outer)	.....	SET16[2]
<b>1990</b>	Mondial	
Set (Inner)	.....	SET5[2]
Set (Outer)	.....	SET16[2]

**REAR AXLE**

**Differential**

<b>1991-1990</b>	(w/o 412, GTO, Testarossa)	
Cone/Cup	.....	368A-362A[2]
<b>1991-1990</b>	412, 412i	
Cone/Cup	.....	28580-28521[2]
<b>1991-1990</b>	GTO, Testarossa	
Cone/Cup (LH)	.....	368A-362A
Cone/Cup (RH)	.....	28580-28521

**REAR AXLE**

**Pinion**

<b>1991-1990</b>	328 Ser.	
Cone/Cup (Outer)	.....	28158-28300
<b>1991-1990</b>	Testarossa	
Cone/Cup (Outer)	.....	28158-28300
<b>1991-1990</b>	412	
Cone/Cup (Outer)	.....	27880-27820
<b>1991-1990</b>		
Cone/Cup (Inner)	.....	M802048-M802011 <sup>14</sup>

<sup>14</sup>Special Deviation Code On Some Models.



# Bearings and Seals

Mfg./Year	Model & Location	Part No	Mfg./Year	Model & Location	Part No
-----------	------------------	---------	-----------	------------------	---------

## **FORD - FRONT DRIVE - Contour**

### **FRONT WHEEL**

2000-1995  
Ball Bearing ..... 510029[2]

### **REAR WHEEL**

2000-1995  
Hub Assembly ..... 512024[2]

### **CLUTCH**

#### **Release Bearing**

2000-1995  
Bearing Assembly ..... 614155

### **4-SPEED AUTOMATIC TRANSAXLE**

#### **Differential**

2000-1995 (4EAT F)  
Set ..... SET17[2]  
2000-1995 (AX4, AXOD)  
Ball Bearing ..... 208[2]  
1997-1995 (4EAT G)  
Bearing Assembly ..... 32008XM[2]

#### **Torque Converter**

2000-1995 (4EAT G, 4HAT G)  
Seal ..... 710446  
2000-1995 (AX4, AXOD)  
Seal ..... 4189H

#### **Output Shaft**

2000-1995 (4EAT G, 4HAT G)  
Seal (LH) ..... 223543  
Kwik Slv (Opt Rpr) (LH) ..... KWK99139  
Seal (RH) ..... 2007N  
Kwik Slv (Opt Rpr) (RH) ..... KWK99139  
2000-1995 (AX4, AXOD)  
Seal ..... 3622S[2]  
Kwik Slv (Opt Rpr) ..... KWK99169[2]

### **5-SPEED MANUAL TRANSAXLE**

#### **Differential**

2000-1995 (Mazda F52)  
Set ..... SET17[2]

#### **Input Shaft**

2000-1995 (Mazda F52)  
Seal ..... 222430  
Kwik Slv (Opt Rpr) ..... KWK99098

#### **Countershaft**

2000-1995 (Mazda F52)  
Bearing Assembly (Frt) ..... 32205

### **5-SPEED MANUAL TRANSAXLE**

#### **Output Shaft**

2000-1995 (Mazda F52)  
Seal (LH) ..... 223543  
Kwik Slv (Opt Rpr) (LH) ..... KWK99139  
Seal (RH) ..... 2007N  
Kwik Slv (Opt Rpr) (RH) ..... KWK99139

#### **Selector Shaft Seal/Man. Shaft**

2000-1995  
Seal ..... 221620

### **CAMSHAFT SEAL**

#### **4 Cylinder**

2000-1995 121/2.0/L  
Seal ..... 3774S  
Kwik Slv (Opt Rpr) ..... KWK99169

### **CRANKSHAFT FRONT SEAL**

#### **4 Cylinder**

2000-1995 121/2.0/L  
Seal ..... 3771  
Kwik Slv (Opt Rpr) ..... KWK99139

#### **6 Cylinder**

2000-1995 2540cc/2.5L (DOHC)  
Seal ..... 482041N  
Kwik Slv (Opt Rpr) ..... KWK99187  
Harmonic Balancer Slv ..... 88187

### **CRANKSHAFT REAR SEAL**

#### **4 Cylinder**

2000-1995 121/2.0/L  
Seal ..... 3772  
Seal PTFE H/D Opt ..... 5287

#### **6 Cylinder**

2000-1995 2540cc/2.5L (DOHC)  
Seal Viton ..... 3909  
Seal PTFE H/D Opt ..... 5277  
Kwik Slv (Opt Rpr) ..... KWK99363

Mfg./Year	Model & Location	Part No	Mfg./Year	Model & Location	Part No
-----------	------------------	---------	-----------	------------------	---------

**FORD - FRONT DRIVE - Escort, EXP**

**FRONT WHEEL**

<b>2003-1991</b>	
Seal .....	1932S[2]
Ball Bearing .....	510013[2]
<b>1990 (From 2/83)</b>	
Set .....	SET39[2]
Hub Assembly .....	518503[2] <sup>62</sup>

**REAR WHEEL**

<b>2003-1994 (ABS)</b>	
Hub Assembly .....	512161[2]
<b>2003-1990 (From Late 1990)(w/o ABS)(Drum Brks.)</b>	
Hub Assembly .....	513030[2]
<b>1990</b>	
Seal (Inner) .....	473677[2]
Set (Inner) .....	SET8[2]
Set (Outer) .....	SET12[2]

**CLUTCH**

**Pilot Bearing**

<b>2003-1991 1.9L, 2.0L Pony, LX Model</b>	
Needle Bearing .....	FC65354
<b>1996-1990 1.8 (DOHC) Mazda GT Model</b>	
Ball Bearing .....	202SS

**Release Bearing**

<b>2003-1997 2.0 (DOHC)(Mazda )</b>	
Bearing Assembly .....	614155
<b>1997-1991 1.8 (DOHC) Mazda</b>	
Bearing Assembly .....	614079
<b>1996-1991 116/1.9L</b>	
Bearing Assembly .....	614128
<b>1990</b>	
Bearing Assembly .....	614060
Bearing Assembly Opt	
Brg. & Sleeve Kit .....	614118

**4-SPEED AUTOMATIC TRANSAXLE**

**Differential**

<b>2002-1991 (4EAT F)</b>	
Set .....	SET17[2]
<b>1997-1990 (4EAT G)</b>	
Bearing Assembly .....	32008XM[2]

**Torque Convertor**

<b>2002-1990 (4EAT)</b>	
Seal .....	710446

**Output Shaft**

<b>2002-1990 (4EAT)</b>	
Seal (LH) .....	223543
Kwik Slv (Opt Rpr) .....	KWK99139
Seal (RH) .....	2007N
Kwik Slv (Opt Rpr) .....	KWK99139

**4-SPEED MANUAL TRANSAXLE**

**Input Shaft**

<b>1990 (MTX II)(2nd design)</b>	
Seal .....	3638
Cone/Cup .....	LM67049A-LM67010[2]
Kwik Slv (Opt Rpr) .....	KWK99112[2]

**Output Shaft**

<b>1990 (MTX II)</b>	
Seal .....	3622S[2]
Set .....	SET30[2]
Kwik Slv (Opt Rpr) .....	KWK99169[2]

**Selector Shaft Seal/Man. Shaft**

<b>1990 (MTX II)</b>	
Seal Viton .....	710274

**5-SPEED MANUAL TRANSAXLE**

**Differential**

<b>2002-1991 (Mazda F52)</b>	
Set .....	SET17[2]
<b>1994-1990 (MTX III)(2 pinion)</b>	
Set .....	SET45[2]

**Input Shaft**

<b>2002-1991 (Mazda F52)</b>	
Seal .....	222430
Kwik Slv (Opt Rpr) .....	KWK99098
<b>1995-1990 (MTX III)</b>	
Seal .....	3638
Cone/Cup .....	LM67049A-LM67010[2]
Kwik Slv (Opt Rpr) .....	KWK99112[2]

**Countershaft**

<b>2002-1991 (Mazda F52)</b>	
Bearing Assembly (Frnt) .....	32205
<b>1995-1990 (MTX III)</b>	
Set .....	SET16[2]

**Output Shaft**

<b>2002-1991 (Mazda F52)</b>	
Seal (LH) .....	223543
Kwik Slv (Opt Rpr) (LH) .....	KWK99139
Seal (RH) .....	2007N
Kwik Slv (Opt Rpr) (RH) .....	KWK99139
<b>1994-1990 (MTX III)</b>	
Seal .....	3622S[2]
Set .....	SET30[2]
Kwik Slv (Opt Rpr) .....	KWK99169[2]

**Selector Shaft Seal/Man. Shaft**

<b>1994-1990 (MTX III)</b>	
Seal Viton .....	710274

<sup>62</sup>Kit Incls, Hub & Brg, Seal, Mtg Bolts

# Bearings and Seals

Mfg./Year	Model & Location	Part No	Mfg./Year	Model & Location	Part No
-----------	------------------	---------	-----------	------------------	---------

## **FORD - FRONT DRIVE - Escort, EXP (cont.)**

### **CAMSHAFT SEAL**

#### **4 Cylinder**

<b>2002-1998</b>	1998cc/2.0L (DOHC)	
Seal	.....	3774S
Kwik Slv (Opt Rpr)	.....	KWK99169
<b>2002-1997</b>	1998cc/2.0L (SOHC)	
Seal	.....	3774S
Kwik Slv (Opt Rpr)	.....	KWK99169
<b>1996-1991</b>	113/1.8L (DOHC)	
Seal	.....	223420
<b>1996-1990</b>	119/1.9L	
Seal	.....	3774S
Kwik Slv (Opt Rpr)	.....	KWK99169

### **CRANKSHAFT FRONT SEAL**

#### **4 Cylinder**

<b>2002-1998</b>	121/2.0/L (DOHC)	
Seal	.....	3771
Kwik Slv (Opt Rpr)	.....	KWK99139
<b>2002-1997</b>	1998cc/2.0L (SOHC)	
Seal	.....	3771
Kwik Slv (Opt Rpr)	.....	KWK99139

### **CRANKSHAFT FRONT SEAL (cont.)**

#### **4 Cylinder (cont.)**

<b>1996-1991</b>	113/1.8L (DOHC)	
Seal	.....	710355
Kwik Slv (Opt Rpr)	.....	KWK99145
<b>1996-1990</b>	119/1.9L	
Seal	.....	3771
Kwik Slv (Opt Rpr)	.....	KWK99139

### **CRANKSHAFT REAR SEAL**

#### **4 Cylinder**

<b>2003-1998</b>	121/2.0/L (DOHC)	
Seal	.....	3772
Seal PTFE H/D Opt	.....	5287
<b>2002-1997</b>	1998cc/2.0L (SOHC)	
Seal	.....	3772
<b>1996-1991</b>	113/1.8L (DOHC)	
Seal	.....	228250
Kwik Slv (Opt Rpr)	.....	KWK99328
<b>1996-1990</b>	119/1.9L	
Seal	.....	3772
Seal PTFE H/D Opt	.....	5287

## **FORD - FRONT DRIVE - Five Hundred**

### **CRANKSHAFT FRONT SEAL**

#### **6 Cylinder**

<b>2005</b>	3.0L (DOHC)	
Seal	.....	482041N

### **CRANKSHAFT REAR SEAL**

#### **6 Cylinder**

<b>2005</b>	3.0L (DOHC)	
Seal Viton	.....	3909

## **FORD - FRONT DRIVE - Focus**

### **FRONT WHEEL**

<b>2006-2000</b>		
Hub Assembly	.....	HA590263K[2] <sup>69</sup>
Ball Bearing Opt	.....	510056[2] <sup>80</sup>

### **REAR WHEEL**

<b>2006-2000</b>		
Bearing Assembly	.....	516007[2]

### **CRANKSHAFT REAR SEAL**

#### **4 Cylinder**

<b>2003-2000</b>	1989cc/2.0L (SOHC)	
Seal	.....	3772

## **FORD - FRONT DRIVE - Probe**

### **FRONT WHEEL**

<b>1997-1993</b>		
Seal	.....	1932S[2]
Ball Bearing	.....	510010[2]
<b>1992-1990</b>		
Seal	.....	1932S[2]
Bearing Assembly	.....	513057[2]

### **REAR WHEEL**

<b>1997-1993</b>	(ABS)	
Hub Assembly	.....	512118[2]
<b>1997-1993</b>	(w/o ABS)	
Hub Assembly	.....	512119[2]
<b>1992-1990</b>		
Seal	.....	224235[2]
Bearing Assembly	.....	513055[2]

Mfg./Year	Model & Location	Part No	Mfg./Year	Model & Location	Part No
-----------	------------------	---------	-----------	------------------	---------

**FORD - FRONT DRIVE - Probe (cont.)**

**CLUTCH**

**Pilot Bearing**

1993-1990  
Ball Bearing ..... 202SS

**Release Bearing**

1997-1993 4 Cyl. 2.0 (DOHC)  
Bearing Assembly ..... 614079  
1997-1993 6 Cyl. 2.5 V6  
Bearing Assembly ..... 614060  
Bearing Assembly Opt  
Brg. & Sleeve Kit ..... 614118  
1992-1990 6 Cyl. 3.0  
Bearing Assembly ..... 614079  
1992-1990 4 Cyl. 2.2  
Bearing Assembly ..... 614067  
1992-1990 4 Cyl. 2.2 (Turbo)  
Bearing Assembly ..... 614079

**3-SPEED AUTOMATIC TRANSAXLE**

**Torque Converter**

1994-1990  
Seal ..... 4539H  
Kwik Slv (Opt Rpr) .....KWK99235

**Output Shaft**

1994-1990  
Seal .....3622S[2]  
Kwik Slv (Opt Rpr) .....KWK99169[2]

**Differential**

1994-1990  
Ball Bearing ..... 208[2]

**Selector Shaft Seal/Man. Shaft**

1994-1990  
Seal .....342517  
Kwik Slv (Opt Rpr) .....KWK99101

**4-SPEED AUTOMATIC TRANSAXLE**

**Differential**

1997-1990 (AX4, AXOD)  
Ball Bearing ..... 208[2]

**Torque Converter**

1997-1990 (AX4, AXOD)  
Seal ..... 4189H

**Output Shaft**

1997-1990 (AX4, AXOD)  
Seal .....3622S[2]  
Kwik Slv (Opt Rpr) .....KWK99169[2]

**4-SPEED MANUAL TRANSAXLE**

**Differential**

1990 (MTX II)(2 pinion)  
Set ..... SET45[2]

**Input Shaft**

1990 (MTX II)(2nd design)  
Seal .....3638  
Cone/Cup .....LM67049A-LM67010[2]  
Kwik Slv (Opt Rpr) .....KWK99112

**Output Shaft**

1990 (MTX II)  
Seal .....3622S[2]  
Set ..... SET30[2]  
Kwik Slv (Opt Rpr) .....KWK99169[2]

**Selector Shaft Seal/Man. Shaft**

1990 (MTX II)  
Seal Viton ..... 710274

**5-SPEED MANUAL TRANSAXLE**

**Differential**

1997-1990 (Mazda G5M, G5Y)  
Bearing Assembly ..... 32008XM[2]

**Input Shaft**

1997-1990 (Mazda G5M, G5Y)  
Seal (Outer) ..... 1990  
Set (Outer) ..... SET32  
Kwik Slv (Opt Rpr) .....KWK99106

**Output Shaft**

1997-1990 (Mazda G5M, G5Y)  
Seal (LH) ..... 223543  
Kwik Slv (Opt Rpr) (LH) ..... KWK99139  
Seal (RH) ..... 2007N  
Kwik Slv (Opt Rpr) (RH) .....KWK99139

**Selector Shaft Seal/Man. Shaft**

1997-1990 (Mazda G5M, G5Y)  
Seal .....221620

**CAMSHAFT SEAL**

**4 Cylinder**

1997-1993 1991cc/2.0L  
Seal .....223420[2]  
1992-1990 133/2.2L (Gas)  
Seal .....223420

**6 Cylinder**

1997-1993 2497cc/2.5L  
Seal .....223012[4]  
Kwik Slv (Opt Rpr) .....KWK99114[4]

# Bearings and Seals

Mfg./Year	Model & Location	Part No	Mfg./Year	Model & Location	Part No
-----------	------------------	---------	-----------	------------------	---------

## **FORD - FRONT DRIVE - Probe (cont.)**

### **CRANKSHAFT FRONT SEAL**

#### **4 Cylinder**

<b>1997-1993</b>	1991cc/2.0L	
Seal Viton	.....	2012S
Seal Viton Opt	.....	2012V
Kwik Slv (Opt Rpr)	.....	KWK99134
<b>1993</b>	1991cc/2.0L	
Seal Viton	.....	2012S
Seal Viton Opt	.....	2012V
Kwik Slv (Opt Rpr)	.....	KWK99134
<b>1992-1990</b>	133/2.2L (Gas)	
Seal	.....	223420
Kwik Slv (Opt Rpr)	.....	KWK99134

#### **6 Cylinder**

<b>1997-1993</b>	2497cc/2.5L	
Seal Viton	.....	2012V
Kwik Slv (Opt Rpr)	.....	KWK99166
<b>1992-1990</b>	183/3.0L	
Seal (Frt Entry)	.....	2692
Seal (Rr Entry)	.....	2942
Kwik Slv (Opt Rpr)	.....	KWK99187
Harmonic Balancer Slv	.....	88187

### **CRANKSHAFT REAR SEAL**

#### **4 Cylinder**

<b>1997-1993</b>	1991cc/2.0L	
Seal	.....	229004
Kwik Slv (Opt Rpr)	.....	KWK99347
<b>1992-1990</b>	133/2.2L (Gas)	
Seal	.....	229010
Kwik Slv (Opt Rpr)	.....	KWK99354

#### **6 Cylinder**

<b>1997-1993</b>	2497cc/2.5L	
Seal	.....	1019S
Kwik Slv (Opt Rpr)	.....	KWK99298
<b>1992-1990</b>	183/3.0L	
Seal	.....	3772
Seal PTFE H/D Opt	.....	5287

## **FORD - FRONT DRIVE - Taurus**

### **FRONT WHEEL**

<b>2005-1996</b>		
Hub Assembly	.....	513100[2]
<b>1995-1991</b>	(From 2/1991)	
Set	.....	SET49[2]
Hub Assembly Opt	.....	520100[2]
<b>1991-1990</b>	(Thru 1/1991)	
Set	.....	SET49[2]
Hub Assembly Opt	.....	520000[2]

### **REAR WHEEL**

<b>2005</b>	(Disc Brks.)(ABS)	
Hub Assembly	.....	HA590038[2] <sup>25</sup>
<b>2004-1993</b>	(Disc Brks.)	
Hub Assembly	.....	512107[2]
<b>2003-2001</b>	(ABS)(Drum Brks.)	
Hub Assembly	.....	512163[2]
<b>2003-2001</b>	(w/o ABS)(Drum Brks.)	
Hub Assembly	.....	512164[2]
<b>2000</b>	(ABS)(Drum Brks.)	
Hub Assembly	.....	512162[2]
<b>2000-1990</b>	(w/o ABS)(Drum Brks.)	
Hub Assembly	.....	512106[2]
<b>1992-1990</b>	(Disc Brks.)	
Hub Assembly	.....	512105[2] <sup>16</sup>

### **CLUTCH**

#### **Pilot Bearing**

<b>1992-1990</b>		
Ball Bearing	.....	202SS

### **CLUTCH**

#### **Release Bearing**

<b>1997-1996</b>	3.4 8 Cyl. (SHO)	
Bearing Assembly	.....	614118
<b>1996-1993</b>	3.0 6 Cyl.	
Bearing Assembly	.....	614060
Bearing Assembly Opt	.....	
Brg. & Sleeve Kit	.....	614118
<b>1995-1990</b>	3.0 DOHC 6 Cyl. (SHO)	
Bearing Assembly	.....	614060
Bearing Assembly Opt	.....	
Brg. & Sleeve Kit	.....	614118
<b>1992-1990</b>	2.5 4 Cyl.	
Bearing Assembly	.....	614060
Bearing Assembly Opt	.....	
Brg. & Sleeve Kit	.....	614118
<b>1992-1990</b>	3.0 6 Cyl.	
Bearing Assembly	.....	614079

### **3-SPEED AUTOMATIC TRANSAXLE**

#### **Torque Converter**

<b>1994-1990</b>		
Seal	.....	4539H
Kwik Slv (Opt Rpr)	.....	KWK99235

**3-SPEED AUTOMATIC TRANSAXLE**

**Output Shaft**

1994-1990  
 Seal ..... 3622S[2]  
 Kwik Slv (Opt Rpr) .....KWK99169[2]

**Differential**

1994-1990  
 Ball Bearing ..... 208[2]

**Selector Shaft Seal/Man. Shaft**

1994-1990  
 Seal ..... 342517  
 Kwik Slv (Opt Rpr) .....KWK99101

**4-SPEED AUTOMATIC TRANSAXLE**

**Differential**

2002-1990 (AX4, AXOD)  
 Ball Bearing ..... 208[2]

**Torque Convertor**

2002-1990 (AX4, AXOD)  
 Seal ..... 4189H

**Output Shaft**

2002-1990 (AX4, AXOD)  
 Seal ..... 3622S[2]  
 Kwik Slv (Opt Rpr) .....KWK99169[2]

**4-SPEED MANUAL TRANSAXLE**

**Input Shaft**

1990 (MTX II)  
 Seal ..... 3638  
 Cone/Cup .....LM67049A-LM67010[2]  
 Kwik Slv (Opt Rpr) .....KWK99112[2]

**Output Shaft**

1990 (MTX II)  
 Seal ..... 3622S[2]  
 Set ..... SET30[2]  
 Kwik Slv (Opt Rpr) .....KWK99169[2]

**Selector Shaft Seal/Man. Shaft**

1990 (MTX II)  
 Seal Viton ..... 710274

**5-SPEED MANUAL TRANSAXLE**

**Differential**

1995-1991 (Mazda F52)  
 Set ..... SET17[2]  
 1995-1990 (MTX III)  
 Set ..... SET45[2]

**5-SPEED MANUAL TRANSAXLE**

**Input Shaft**

1995-1991 (Mazda F52)  
 Seal ..... 222430  
 Kwik Slv (Opt Rpr) .....KWK99098  
 1995-1990 (MTX III)  
 Seal ..... 3638  
 Cone/Cup .....LM67049A-LM67010[2]  
 Kwik Slv (Opt Rpr) .....KWK99112

**Countershaft**

1995-1991 (Mazda F52)  
 Bearing Assembly (Frnt) ..... 32205  
 1995-1990 (MTX III)  
 Set ..... SET16[2]

**Output Shaft**

1995-1991 (Mazda F52)  
 Seal (LH) ..... 223543  
 Kwik Slv (Opt Rpr) (LH) ..... KWK99139  
 Seal (RH) ..... 2007N  
 Kwik Slv (Opt Rpr) (RH) .....KWK99139  
 1995-1990 (MTX III)  
 Seal ..... 3622S[2]  
 Set ..... SET30[2]  
 Kwik Slv (Opt Rpr) .....KWK99169[2]

**Selector Shaft Seal/Man. Shaft**

1995-1990 (MTX III)  
 Seal Viton ..... 710274

**CAMSHAFT SEAL**

**6 Cylinder**

2002-1990 182/3.0L (DOHC)  
 Seal ..... 1213N[4]  
 Kwik Slv (Opt Rpr) .....KWK99157[4]  
 1995-1993 195/3.2L (DOHC)  
 Seal ..... 1213N[4]  
 Kwik Slv (Opt Rpr) .....KWK99157[4]

**8 Cylinder**

2000-1996 206/3.4L (DOHC)  
 Seal ..... 710444[2]  
 Kwik Slv (Opt Rpr) .....KWK99157[2]

**CRANKSHAFT FRONT SEAL**

**4 Cylinder**

1991-1990 153/2.5L  
 Seal ..... 714075  
 Kwik Slv (Opt Rpr) .....KWK99177

**6 Cylinder**

2003-1996 182/3.0L (DOHC)  
 Seal ..... 482041N  
 Kwik Slv (Opt Rpr) .....KWK99187  
 Harmonic Balancer Slv ..... 88187

# Bearings and Seals

Mfg./Year	Model & Location	Part No	Mfg./Year	Model & Location	Part No
-----------	------------------	---------	-----------	------------------	---------

## **FORD - FRONT DRIVE - Taurus (cont.)**

### **CRANKSHAFT FRONT SEAL (cont.)**

#### **6 Cylinder (cont.)**

2003-1990	182/3.0L OHV	
Seal (Frt Entry)	.....	2692
Seal (Rr Entry)	.....	2942
Kwik Slv (Opt Rpr)	.....	KWK99187
1995-1993	195/3.2L (DOHC)	
Seal	.....	710220
1995-1990	182/3.0L (DOHC)	
Seal	.....	710220
1995-1990	232/3.8L	
Seal	.....	2692

#### **8 Cylinder**

1999-1996	206/3.4L (DOHC)	
Seal	.....	482041N
Kwik Slv (Opt Rpr)	.....	KWK99187
Harmonic Balancer Slv	.....	88187

### **CRANKSHAFT REAR SEAL**

#### **4 Cylinder**

1991-1990	153/2.5L	
Seal	.....	3772
Seal PTFE H/D Opt	.....	5287

### **CRANKSHAFT REAR SEAL**

#### **6 Cylinder**

2003-1996	182/3.0L (DOHC)	
Seal Viton	.....	3909
Seal PTFE H/D Opt	.....	5277
Kwik Slv (Opt Rpr)	.....	KWK99363
2003-1990	182/3.0L OHV	
Seal	.....	3772
Seal PTFE H/D Opt	.....	5287
1995-1993	195/3.2L (DOHC)	
Seal	.....	710219
Kwik Slv (Opt Rpr)	.....	KWK99351
1995-1990	182/3.0L (DOHC)	
Seal	.....	710219
Kwik Slv (Opt Rpr)	.....	KWK99351
1995-1990	232/3.8L	
Seal Viton	.....	3909
Seal PTFE H/D Opt	.....	5277
Kwik Slv (Opt Rpr)	.....	KWK99363

#### **8 Cylinder**

2000-1996	206/3.4L (DOHC)	
Seal	.....	710219
Kwik Slv (Opt Rpr)	.....	KWK99351

## **FORD - FRONT DRIVE, AWD - Five Hundred**

### **FRONT WHEEL**

2005	(ABS)	
Hub Assembly	.....	HA590028[2] <sup>25</sup>

#### **4WD/AWD**

2005	(ABS)	
Hub Assembly	.....	HA590029[2] <sup>25</sup>

### **CRANKSHAFT FRONT SEAL**

#### **6 Cylinder**

2005	3.0L (DOHC)	
Seal	.....	482041N

### **CRANKSHAFT REAR SEAL**

#### **6 Cylinder**

2005	3.0L (DOHC)	
Seal Viton	.....	3909

## **FORD - FRONT DRIVE, AWD - Tempo**

### **FRONT WHEEL**

1994-1990	(From 2/1983)	
Set	.....	SET39[2]
Hub Assembly Opt	.....	
Complete Brg. & Hub Ki	.....	518503[2] <sup>62</sup>

### **REAR WHEEL**

1994-1990	(w/o AWD)	
Seal (Inner)	.....	473677[2]
Set (Inner)	.....	SET8[2]
Set (Outer)	.....	SET12F[2] <sup>59</sup>
1991-1990	(AWD)	
Bearing Assembly	.....	513001[2]

### **TRANSFER CASE**

#### **Input Shaft**

1991-1990	(I/S)	
Set	.....	SET2[2]
Ball Bearing Pilot	.....	206WB

#### **Front Output Shaft**

1991-1990	(Frt. O/S)	
Cone/Cup	.....	M86647-M86610

**TRANSFER CASE**

**Rear Output Shaft**

1991-1990 (Rr. O/S)  
 Cone/Cup ..... M86649-M86610  
 Needle Bearing Pilot ..... SCH78

**CLUTCH**

**Release Bearing**

1994-1992 3.0 V6 Mazda  
 Bearing Assembly ..... 614079  
**1990**  
 Bearing Assembly ..... 614060  
 Bearing Assembly Opt  
 Brg. & Sleeve Kit ..... 614118

**5-SPEED MANUAL TRANSMISSION**

**Countershaft**

1994-1990 (MTX III)  
 Set ..... SET16[2]

**3-SPEED AUTOMATIC TRANSAXLE**

**Torque Converter**

1994-1990 (ATX)  
 Seal ..... 4539H  
 Kwik Slv (Opt Rpr) .....KWK99235

**Output Shaft**

1994-1990  
 Seal .....3622S[2]  
 Seal ..... [2]  
 Kwik Slv (Opt Rpr) .....KWK99169[2]

**Differential**

1994-1990  
 Ball Bearing ..... 208[2]

**Selector Shaft Seal/Man. Shaft**

1994-1990  
 Seal .....342517  
 Kwik Slv (Opt Rpr) .....KWK99101

**4-SPEED AUTOMATIC TRANSAXLE**

**Differential**

1994-1990 (4EAT G)  
 Bearing Assembly ..... 32008XM[2]  
 1994-1990 (AX4, AXOD)  
 Ball Bearing ..... 208[2]  
 1992-1990 (4HAT G)  
 Bearing Assembly ..... 32009XM[2]

**Torque Converter**

1994-1990 (4EAT G, 4HAT G)  
 Seal ..... 710446  
 1994-1990 (AX4, AXOD)  
 Seal ..... 4189H

**4-SPEED AUTOMATIC TRANSAXLE**

**Output Shaft**

1994-1990 (4EAT G, 4HAT G)  
 Seal (LH) ..... 223543  
 Kwik Slv (Opt Rpr) (LH) .....KWK99139  
 Seal (RH) ..... 2007N  
 Kwik Slv (Opt Rpr) (RH) .....KWK99139  
 1994-1990 (AX4, AXOD)  
 Seal .....3622S[2]  
 Seal ..... [2]  
 Kwik Slv (Opt Rpr) .....KWK99169  
 Kwik Slv (Opt Rpr) ..... [2]

**4-SPEED MANUAL TRANSMISSION**

**Differential**

1990 (MTX II)(2 pinion)  
 Set ..... SET45[2]  
 1990 (MTX II)(4 pinion)  
 Set ..... SET37[2]

**Input Shaft**

1990 (MTX II)(2nd design)  
 Seal ..... 3638  
 Cone/Cup .....LM67049A-LM67010  
 Kwik Slv (Opt Rpr) .....KWK99112

**Output Shaft**

1990  
 Seal (LH) ..... 3622S[2]  
 Set (LH) ..... SET30[2]  
 Kwik Slv (Opt Rpr) .....KWK99169[2]

**Selector Shaft Seal/Man. Shaft**

1990  
 Seal Viton ..... 710274

**5-SPEED MANUAL TRANSMISSION**

**Differential**

1994-1990 (MTX III)(RWB)(2 pinion)  
 Set ..... SET45[2]  
 1994-1990 (MTX III)(RWB)(4 pinion)  
 Set ..... SET37[2]

**Input Shaft**

1994-1990 (MTX III)  
 Seal ..... 3638  
 Cone/Cup .....LM67049A-LM67010  
 Kwik Slv (Opt Rpr) .....KWK99112

**Output Shaft**

1994-1990 (MTX III)  
 Seal ..... 3622S[2]  
 Set ..... SET30[2]  
 Kwik Slv (Opt Rpr) .....KWK99169[2]



# Bearings and Seals

Mfg./Year	Model & Location	Part No	Mfg./Year	Model & Location	Part No
-----------	------------------	---------	-----------	------------------	---------

## **FORD - FRONT DRIVE, AWD - Tempo (cont.)**

### **5-SPEED MANUAL TRANSAXLE**

#### **Selector Shaft Seal/Man. Shaft**

1994-1990 (MTX III)	
Seal Viton .....	710274

### **CRANKSHAFT FRONT SEAL**

#### **4 Cylinder**

1994-1990 140/2.3L	
Seal .....	714075
Kwik Slv (Opt Rpr) .....	KWK99177

#### **6 Cylinder**

1994-1992 183/3.0L	
Seal (Frt Entry) .....	2692
Seal (Rr Entry) .....	2942
Kwik Slv (Opt Rpr) .....	KWK99187

### **CRANKSHAFT REAR SEAL**

#### **4 Cylinder**

1994-1990 140/2.3L	
Seal .....	3772
Seal PTFE H/D Opt .....	5287

#### **6 Cylinder**

1994-1992 183/3.0L	
Seal .....	3772
Seal PTFE H/D Opt .....	5287

## **FORD - REAR DRIVE - Country Squire, Crown Victoria**

### **FRONT WHEEL**

2004-2003	
Hub Assembly .....	513196[2]
2002-1997 (From 4/97)	
Hub Assembly .....	513202[2]
1997-1992 (Thru 3/97)	
Hub Assembly .....	513104[2]
1991-1990	
Seal (Inner) .....	6815[2]
Set (Inner) .....	SET11[2]
Set (Outer) .....	SET12[2]

### **REAR WHEEL**

2005-1990	
Seal .....	8660S[2]
Cylindrical Bearing .....	5707[2]
Kit .....	TRP1563TAV[2] <sup>19</sup>

### **REAR AXLE**

#### **Differential Rebuild Kit**

2005-1990 (8.8" R.G.)	
Kit .....	DRK311
1999-1990 (8.5" R.G.)	
Kit .....	DRK311

#### **Differential**

2005-1990 (8.8" R.G.)	
Set .....	SET36[2]
1991-1990 (8.5" R.G.)	
Set .....	SET36[2]

### **REAR AXLE**

#### **Pinion**

2005-1990 (8.8" R.G.)	
Cone/Cup (Inner) .....	M802048-M802011
Seal Viton (Outer) .....	3604
Cone/Cup (Outer) .....	M88048-M88010
1991-1990 (8.5" R.G.)	
Cone/Cup (Inner) .....	M802048-M802011
Seal Viton (Outer) .....	3604
Cone/Cup (Outer) .....	M88048-M88010

### **4-SPEED AUTOMATIC TRANSMISSION**

#### **Torque Converter**

2002-1992 (AODE)	
Seal .....	3404
1991-1990 (AOT, AOD)	
Seal .....	331107N
Kwik Slv (Opt Rpr) .....	KWK99199

#### **Rear Seal/Ext. Housing**

2002-1995 (AODE)	
Seal .....	4764
1994-1992 (AODE)	
Seal .....	7692S
Seal Kit .....	5202 <sup>64</sup>
1991-1990 (AOT, AOD)(long boot)	
Seal .....	7692S
Seal Kit .....	5202 <sup>64</sup>
1991-1990 (AOT, AOD)(short boot)	
Seal .....	7692S
Seal Kit .....	5202 <sup>64</sup>

Mfg./Year	Model & Location	Part No	Mfg./Year	Model & Location	Part No
<b>FORD - REAR DRIVE - Country Squire, Crown Victoria (cont.)</b>					

**4-SPEED AUTOMATIC TRANSMISSION**

**Selector Shaft Seal/Man. Shaft**

2002-1990	Seal .....	7929S
-----------	------------	-------

**A/C COMPRESSOR**

2002-1991	(Nippondenso FX 15)(axial)	
	Ball Bearing .....	5106WCC
1996-1990	(Nippondenso 6E171)(axial)	
	Ball Bearing .....	5000KFF
1990	(Ford FS6)(axial)	
	Ball Bearing .....	5000KFF
1990	(Frigidaire A6)(axial)	
	Ball Bearing .....	907257

**ALTERNATOR**

1991-1990	(Motorcraft)	
	Ball Bearing (Rear End) .....	MNJ471S
1991-1990	(Motorcraft)	
	Ball Bearing (Drive End) .....	203FF

**POWER STEERING**

**Input Shaft**

1994-1990		
	Seal .....	471645
	Needle Bearing .....	FC65753

**Pump Shaft**

2001-1990	Seal .....	8773S
-----------	------------	-------

**Worm Shaft**

2001-1990	Ball Bearing .....	201CC
-----------	--------------------	-------

**CRANKSHAFT FRONT SEAL**

**8 Cylinder**

2002-1992	281/4.6L	
	Seal .....	482041N
	Kwik Slv (Opt Rpr) .....	KWK99187
	Harmonic Balancer Slv .....	88187
1991-1990	(w/o 281/4.6, 292/4.8)	
	Seal (Fr Entry) .....	2692
	Seal (Rr Entry) .....	2942
	Kwik Slv (Opt Rpr) .....	KWK99187
	Harmonic Balancer Slv .....	88187

**CRANKSHAFT REAR SEAL**

**8 Cylinder**

2004-1990	281/4.6L, 302/5.0L	
	Seal Viton .....	3909
	Seal PTFE H/D Opt .....	5277
	Kwik Slv (Opt Rpr) .....	KWK99363
1992-1990	281/4.6L, 302/5.0L	
	Seal Viton .....	3909
	Seal PTFE H/D Opt .....	5277
	Kwik Slv (Opt Rpr) .....	KWK99363
1991-1990	351/5.8L (W)	
	Seal Viton .....	2377
	Seal PTFE H/D Opt .....	5278
	Kwik Slv (Opt Rpr) .....	KWK99372
1991-1990	351/5.8L	
	Seal Viton .....	2377
	Seal PTFE H/D Opt .....	5278
	Kwik Slv (Opt Rpr) .....	KWK99372

**FORD - REAR DRIVE - Mustang; incl. Cobra, GT, McLaren, Saleen, SVO, SVT**

**FRONT WHEEL**

2005	(ABS)	
	Hub Assembly .....	HA590017[2] <sup>25</sup>
2005	(w/o ABS)	
	Hub Assembly .....	HA590026[2] <sup>25</sup>
2004-1994		
	Hub Assembly .....	513115[2]
1993-1990	5.0 GT, SVO, McLaren, Saleen	
	Seal (Inner) .....	9150S[2]
	Set (Inner) .....	SET5[2]
	Set (Outer) .....	SET12F[2] <sup>59</sup>
1993-1990	(Exc. 5.0, SVO, McLaren, Saleen)	
	Seal (Inner) .....	6815[2]
	Set (Inner) .....	SET17[2]
	Set (Outer) .....	SET12[2]

**REAR WHEEL**

2005		
	Seal .....	8835S[2]
	Cylindrical Bearing .....	6408[2]
2004-1999	(Indep. Rr. Susp.)	
	Set .....	SET49[2]
2004-1990	(w/o Indep. Rr. Susp.)	
	Seal .....	8660S[2]
	Cylindrical Bearing .....	5707[2]
	Kit .....	TRP1563TAV[2] <sup>19</sup>

**CLUTCH RELEASE**

**Diaphragm Clutches**

2002-1990	8 Cyl.	
	Bearing Assembly .....	614014
1996-1990	6 Cyl.	
	Bearing Assembly .....	614014
1992-1990	4 Cyl. (5 Spd.)	
	Bearing Assembly .....	614014

<sup>19</sup>Opt. Axle Rpr Brg. Replaces O.E. Brg & Seal Polymer Cage

<sup>25</sup>New Item, Check For Availability

<sup>59</sup>O.E.

# Bearings and Seals

Mfg./Year	Model & Location	Part No	Mfg./Year	Model & Location	Part No
<b>FORD - REAR DRIVE - Mustang; incl. Cobra, GT, McLaren, Saleen, SVO, SVT</b>					
<b>(cont.)</b>					

## REAR AXLE

### Axle Shaft

<b>2002-1990</b> (IRS 7.5" R.G., IRS 8.8" R.G.)	
Seal Viton .....	714569[2]
Needle Bearing .....	FC66998[2]
Kwik Slv (Opt Rpr) .....	KWK99157[2]

### Differential Rebuild Kit

<b>2005-1990</b> (7.5" R.G.)	
Kit .....	DRK315
<b>2004-1990</b> (8.8" R.G.)	
Kit .....	DRK311

### Differential

<b>2005-2003</b> (7.5" R.G.)	
Cone/Cup .....	LM501349-LM501314[2]
<b>2004-1990</b> (8.8" R.G.)	
Set .....	SET36[2]
<b>2002-1990</b> (7.5" R.G.)	
Cone/Cup .....	LM501349-LM501314[2]

### Pinion

<b>2005-1990</b> (7.5" R.G.)	
Cone/Cup (Inner) .....	M802048-M802011
Seal Viton (Outer) .....	3604
Cone/Cup (Outer) .....	M88048-M88010
<b>2004-1990</b> (8.8" R.G.)	
Cone/Cup (Inner) .....	M802048-M802011
Seal Viton (Outer) .....	3604
Cone/Cup (Outer) .....	M88048-M88010

## 4-SPEED AUTOMATIC TRANSMISSION

### Torque Converter

<b>2002-1992</b> (AODE)	
Seal .....	3404
<b>1993-1990</b> (A4LD)	
Seal .....	2658
<b>1993-1990</b> (AOT, AOD)	
Seal .....	331107N
Kwik Slv (Opt Rpr) .....	KWK99199

### Rear Seal/Ext. Housing

<b>2002-1995</b> (AODE)	
Seal .....	4764
<b>2002-1992</b> (AODE)	
Seal .....	7692S
Seal Kit .....	5202 <sup>64</sup>
<b>1993-1990</b> (A4LD)	
Seal .....	2655
<b>1993-1990</b> (AOT, AOD)(long boot)	
Seal .....	7692S
Seal Kit .....	5202 <sup>64</sup>

## 4-SPEED AUTOMATIC TRANSMISSION

### Selector Shaft Seal/Man. Shaft

<b>2002-1990</b>	
Seal .....	7929S

## CLUTCH

### Pilot Bearing

<b>2002-1996</b> 8 Cyl. 281 (4.6)(SOHC and DOHC)	
Needle Bearing .....	FC68329
<b>1995-1990</b> 8 Cyl. 302 (5.0 L)(Prod. from 5/1974 on)	
Needle Bearing .....	FC65174
<b>1995-1990</b> 8 Cyl. 351	
Needle Bearing .....	FC65662
<b>1993-1990</b> 4 Cyl. 140 (2.3 L)(normally aspirated and Turbo)	
Needle Bearing .....	FC65354

## 5-SPEED MANUAL TRANSMISSION

### Front Input Shaft

<b>2002-1996</b> (Warner T45)	
Seal .....	7412S
Cone/Cup .....	M88048-M88010
Kwik Slv (Opt Rpr) .....	KWK99125
<b>2002-1994</b> (Warner T5 World Class)	
Seal .....	7412S
Set .....	SET5
Kwik Slv (Opt Rpr) .....	KWK99125
Needle Bearing .....	FA55505
<b>1996-1990</b> (Tremec 3550)	
Seal .....	3638
Cone/Cup .....	355-354A
Kwik Slv (Opt Rpr) .....	KWK99112
<b>1993-1990</b> (Warner T5 World Class)(L4 )	
Seal .....	7412S
Cone/Cup .....	M88048-M88010
Kwik Slv (Opt Rpr) .....	KWK99125
Needle Bearing .....	FA55505
<b>1993-1990</b> (Warner T5 World Class)(V6 )	
Seal .....	7412S
Set .....	SET5
Kwik Slv (Opt Rpr) .....	KWK99125
Needle Bearing .....	FA55505

## Countershaft

<b>2002-1996</b> (Warner T45)	
Set (Frt) .....	SET6
Set (Rr) .....	SET6
<b>2002-1990</b> (Warner T5 World Class)	
Cone/Cup (Frt) .....	LM67048-LM67010BCE
Set (Rr) .....	SET6
Needle Bearing Thrust .....	NTA1423
<b>1996-1990</b> (Tremec 3550)	
Cone/Cup (Frt) .....	1380-1328
Cone/Cup (Rr) .....	1380-1328

**FORD - REAR DRIVE - Mustang; incl. Cobra, GT, McLaren, Saleen, SVO, SVT  
(cont.)**

**5-SPEED MANUAL TRANSMISSION**

**Mainshaft Pilot**

2002-1996	(Warner T45)	
Set		SET1
2002-1996	(Warner T5 World Class)	
Needle Bearing		QBR23549[15]
1996-1990	(Tremec 3550)	
Needle Bearing		QBR23549[17]
1995-1993	(Warner T5 World Class)(Cobra)	
Set		SET1
1995-1993	(Warner T5 World Class)(Exc. Cobra)	
Needle Bearing		QBR23549[15]
1992-1990	(Warner T5 World Class)	
Needle Bearing		QBR23549[15]

**Mainshaft 1st Speed Gear**

2002-1990	(Warner T5 World Class)	
Needle Bearing		F218255

**Mainshaft 2nd Speed Gear**

2002-1990	(Warner T5 World Class)	
Needle Bearing		F93934

**Reverse Idler**

2002-1996	(Warner T45)	
Ball Bearing		207
1996-1990	(Tremec 3550)	
Needle Bearing		C407Q[44]

**Rear Output Shaft**

2002-1996	(Warner T45)	
Seal		710426
Cone/Cup		25572-25520
1996-1990	(Tremec 3550)	
Seal		7692S
Seal Kit		5202 <sup>64</sup>
Needle Bearing Thrust		FA35688

**CAMSHAFT SEAL**

**4 Cylinder**

1993-1990		
Seal		2955

**CRANKSHAFT FRONT SEAL**

**4 Cylinder**

1993-1990		
Seal		2955

**6 Cylinder**

2002-1990	232/3.8L	
Seal (Frt)		2692
Seal (Rr)		2942
Kwik Slv (Opt Rpr)		KWK99187
Harmonic Balancer Slv		88187

**CRANKSHAFT FRONT SEAL**

**8 Cylinder**

2002-1996	281/4.6L	
Seal		482041N
Kwik Slv (Opt Rpr)		KWK99187
Harmonic Balancer Slv		88187
1996-1990	255/4.2L, 302/5.0L, 351/5.8L (W)	
Seal (Frt Entry)		2692
Seal (Rr Entry)		2942
Kwik Slv (Opt Rpr)		KWK99187
Harmonic Balancer Slv		88187

**CRANKSHAFT REAR SEAL**

**4 Cylinder**

1993-1990		
Seal Viton		3909
Seal PTFE H/D Opt		5277
Kwik Slv (Opt Rpr)		KWK99363

**6 Cylinder**

2003-1990	232/3.8L from 12/31/82	
Seal Viton		3909
Seal PTFE H/D Opt		5277
Kwik Slv (Opt Rpr)		KWK99363

**8 Cylinder**

2003-1990	281/4.6L, 302/5.0L	
Seal Viton		3909
Seal PTFE H/D Opt		5277
Kwik Slv (Opt Rpr)		KWK99363
1996-1995	351/5.8L (W)	
Seal Viton		2377
Seal PTFE H/D Opt		5278
Kwik Slv (Opt Rpr)		KWK99372

<sup>64</sup>Opt. Seal & Bushing Kit

# Bearings and Seals

Mfg./Year	Model & Location	Part No	Mfg./Year	Model & Location	Part No
-----------	------------------	---------	-----------	------------------	---------

## FORD - REAR DRIVE - Thunderbird

### FRONT WHEEL

<b>2005-2002</b>	
Hub Assembly .....	HA590213[2]
<b>1997-1991</b>	
Hub Assembly .....	513092[2]
<b>1990</b> (ABS)	
Hub Assembly .....	513076[2]
<b>1990</b> (w/o ABS)	
Hub Assembly .....	513077[2]

### REAR WHEEL

<b>2005-2002</b>	
Ball Bearing .....	511032[2]
<b>1997-1990</b>	
Set .....	SET49[2]

### REAR AXLE

#### Axle Shaft

<b>2002</b> (8" R.G.)	
Seal Viton .....	714569[2]
Needle Bearing .....	FC66998[2]
Kwik Slv (Opt Rpr) .....	KWK99157[2]
<b>1997-1990</b> (7.5", 8.8" R.G.)	
Seal Viton .....	714569[2]
Needle Bearing .....	FC66998[2]
Kwik Slv (Opt Rpr) .....	KWK99157[2]

#### Differential Rebuild Kit

<b>1997-1990</b> (8.8" R.G.)	
Kit .....	DRK311
<b>1997-1990</b> (7.5" R.G.)	
Kit .....	DRK315

#### Differential

<b>2005-2002</b> (8" R.G.)	
Set .....	SET36[2]
<b>1997-1990</b> (8.8" R.G.)	
Set .....	SET36[2]
<b>1997-1990</b> (7.5" R.G.)	
Cone/Cup .....	LM501349-LM501314[2]

#### Pinion

<b>2005-2002</b> (8" R.G.)	
Cone/Cup (Inner) .....	NP559445-NP945727
Seal Viton (Outer) .....	3604
Cone/Cup (Outer) .....	M88048-M88010
<b>1997-1990</b> (7.5" R.G.)	
Cone/Cup (Inner) .....	M802048-M802011
Seal Viton (Outer) .....	3604
Cone/Cup (Outer) .....	M88048-M88010
<b>1997-1990</b> (8.8" R.G.)	
Cone/Cup (Inner) .....	M802048-M802011
Seal Viton (Outer) .....	3604
Cone/Cup (Outer) .....	M88048-M88010

### 4-SPEED AUTOMATIC TRANSMISSION

#### Torque Converter

<b>1997-1994</b> (AODE)	
Seal .....	3404

### 4-SPEED AUTOMATIC TRANSMISSION

#### (cont.)

#### Torque Converter (cont.)

<b>1993-1990</b> (AOT, AOD)	
Seal .....	331107N
Kwik Slv (Opt Rpr) .....	KWK99199

#### Rear Seal/Ext. Housing

<b>1997-1994</b> (AODE)	
Seal .....	7692S
Seal Kit .....	5202 <sup>64</sup>
<b>1993-1990</b> (AOT, AOD)(long boot)	
Seal .....	7692S
Seal Kit .....	5202 <sup>64</sup>

### CLUTCH

#### Pilot Bearing

<b>1995-1990</b> 3.8 6 Cyl.	
Needle Bearing .....	FC65174

### 5-SPEED MANUAL TRANSMISSION

#### Front Input Shaft

<b>1995-1990</b> Mazda	
Seal .....	223012
Kwik Slv (Opt Rpr) .....	KWK99114

#### Countershaft

<b>1995-1990</b> (Mazda M5R2)	
Cylindrical Bearing	
(Center) .....	MR1207EL
Ball Bearing (Rr) .....	304WB

#### Extension Housing

<b>1995-1990</b> (Mazda M5R2)	
Seal .....	710415

### A/C COMPRESSOR

<b>1997-1990</b> (Nippondenso FX 15)(axial)	
Ball Bearing .....	5106WCC
<b>1990</b> (Ford FS6)(axial)	
Ball Bearing .....	5000KFF
<b>1990</b> (Nippondenso 6P148)(axial)	
Ball Bearing .....	5001KFF
<b>1990</b> (Frigidaire A6)(axial)	
Ball Bearing .....	907257

### ALTERNATOR

<b>1995-1994</b> Mitsubishi 110 Amp.	
Ball Bearing (Drive End) .....	303CC
<b>1993-1990</b> (Motorcraft)	
Ball Bearing (Drive End) .....	203FF
<b>1993-1990</b> (Motorcraft)	
Ball Bearing (Rear End) .....	MNJ471S

**FORD - REAR DRIVE - Thunderbird (cont.)**

**POWER STEERING**

**Input Shaft**

1993-1990  
 Seal ..... 471645  
 Needle Bearing ..... FC65753

**Pump Shaft**

1997-1990  
 Seal ..... 8773S

**Worm Shaft**

1997-1990  
 Ball Bearing ..... 201CC

**CRANKSHAFT FRONT SEAL**

**6 Cylinder**

1997-1990    232/3.8L  
 Seal (Frt) ..... 2692  
 Seal (Rr) ..... 2942  
 Kwik Slv (Opt Rpr) ..... KWK99187  
 Harmonic Balancer Slv ..... 88187

**CRANKSHAFT FRONT SEAL**

**8 Cylinder**

1997-1994  
 Seal ..... 482041N  
 Kwik Slv (Opt Rpr) ..... KWK99187  
 Harmonic Balancer Slv ..... 88187  
 1993-1990  
 Seal (Frt Entry) ..... 2692  
 Seal (Rr Entry) ..... 2942  
 Kwik Slv (Opt Rpr) ..... KWK99187  
 Harmonic Balancer Slv ..... 88187

**CRANKSHAFT REAR SEAL**

**6 Cylinder**

1997-1990    232/3.8L from 12/31/82  
 Seal Viton ..... 3909  
 Seal PTFE H/D Opt ..... 5277  
 Kwik Slv (Opt Rpr) ..... KWK99363

**8 Cylinder**

1997-1990    281/4.6L, 302/5.0L  
 Seal Viton ..... 3909  
 Seal PTFE H/D Opt ..... 5277  
 Kwik Slv (Opt Rpr) ..... KWK99363

**FORD IMPORT - Aspire**

**FRONT WHEEL**

1997-1994  
 Seal (Inner) ..... 4990[2]  
 Set (Inner) ..... SET11[2]  
 Seal (Outer) ..... 710323[2]  
 Set (Outer) ..... SET11[2]

**REAR WHEEL**

1997-1994  
 Seal (Inner) ..... 1126S[2]  
 Set (Inner) ..... SET4[2]  
 Set (Outer) ..... SET1[2]

**CLUTCH**

**Pilot Bearing**

1997-1994  
 Ball Bearing ..... 202SS

**Release Bearing**

1997-1994  
 Bearing Assembly ..... 614127

**3-SPEED AUTOMATIC TRANSAXLE**

**Torque Converter**

1997-1994  
 Seal ..... 1012N  
 Kwik Slv (Opt Rpr) ..... KWK99177

**3-SPEED AUTOMATIC TRANSAXLE**

**Output Shaft**

1997-1994  
 Seal ..... 2007N[2]  
 Kwik Slv (Opt Rpr) ..... KWK99139[2]

**Differential**

1997-1994  
 Bearing Assembly ..... 32008XM[2]

**5-SPEED MANUAL TRANSAXLE**

**Differential**

1997-1994  
 Set ..... SET13[2]

**Input Shaft**

1997-1994  
 Seal (Frt) ..... 222238  
 Kwik Slv (Opt Rpr) ..... KWK99085  
 Ball Bearing (Rr) ..... 304DD

# Bearings and Seals

Mfg./Year    Model & Location    Part No    Mfg./Year    Model & Location    Part No

## **FORD IMPORT - Aspire (cont.)**

### **5-SPEED MANUAL TRANSAXLE**

#### **Output Shaft**

1997-1994  
 Seal (LH) ..... 223543  
 Set (LH) ..... SET3  
 Kwik Slv (Opt Rpr) .....KWK99139  
 Seal (RH) ..... 2007N  
 Bearing Assembly (RH) ..... 32204  
 Kwik Slv (Opt Rpr) .....KWK99139

#### **Selector Shaft Seal/Man. Shaft**

1997-1994  
 Seal ..... 221620

### **CAMSHAFT SEAL**

#### **4 Cylinder**

1997-1994    1324cc/1.3L  
 Seal ..... 223012  
 Kwik Slv (Opt Rpr) .....KWK99114

### **CRANKSHAFT FRONT SEAL**

#### **4 Cylinder**

1997-1994    1324cc/1.3L  
 Seal ..... 710355  
 Kwik Slv (Opt Rpr) .....KWK99145

### **CRANKSHAFT REAR SEAL**

#### **4 Cylinder**

1997-1994    1324cc/1.3L  
 Seal ..... 228250  
 Kwik Slv (Opt Rpr) .....KWK99328

## **FORD IMPORT - Festiva**

### **FRONT WHEEL**

1993-1990  
 Seal (Inner) ..... 4990[2]  
 Set (Inner) ..... SET11[2]  
 Seal (Outer) ..... 710323[2]  
 Set (Outer) ..... SET11[2]

### **REAR WHEEL**

1993-1990  
 Seal (Inner) ..... 1126S[2]  
 Set (Inner) ..... SET4[2]  
 Set (Outer) ..... SET1[2]

### **CLUTCH**

#### **Pilot Bearing**

1993-1990  
 Ball Bearing ..... 202SS

#### **Release Bearing**

1993-1990  
 Bearing Assembly ..... 614127

### **3-SPEED AUTOMATIC TRANSAXLE**

#### **Torque Converter**

1993-1990  
 Seal ..... 1012N  
 Kwik Slv (Opt Rpr) .....KWK99177

### **3-SPEED AUTOMATIC TRANSAXLE**

#### **Output Shaft**

1993-1990  
 Seal ..... 2007N[2]  
 Kwik Slv (Opt Rpr) .....KWK99139[2]

#### **Differential**

1993-1990  
 Bearing Assembly ..... 32008XM[2]

### **5-SPEED MANUAL TRANSAXLE**

#### **Differential**

1993-1990  
 Set ..... SET13[2]

#### **Input Shaft**

1993-1990  
 Seal (Frt) ..... 222238  
 Kwik Slv (Opt Rpr) .....KWK99085  
 Ball Bearing (Rr) ..... 304DD

#### **Output Shaft**

1993-1990  
 Seal (LH) ..... 223543  
 Set (LH) ..... SET3  
 Kwik Slv (Opt Rpr) .....KWK99139  
 Seal (RH) ..... 2007N  
 Bearing Assembly (RH) ..... 32204  
 Kwik Slv (Opt Rpr) .....KWK99139

Mfg./Year	Model & Location	Part No	Mfg./Year	Model & Location	Part No
-----------	------------------	---------	-----------	------------------	---------

**FORD IMPORT - Festiva (cont.)**

**5-SPEED MANUAL TRANSAXLE**  
**Selector Shaft Seal/Man. Shaft**

1993-1990 Seal .....	221620
----------------------	--------

**CAMSHAFT SEAL**  
**4 Cylinder**

1993-1990 1324cc/1.3L Seal .....	223012
Kwik Slv (Opt Rpr) .....	KWK99114

**CRANKSHAFT REAR SEAL**  
**4 Cylinder**

1993-1990 1324cc/1.3L Seal .....	228250
Kwik Slv (Opt Rpr) .....	KWK99328

**FORD TRUCK - LT TRUCK & LT SUV - Aerostar, Bronco II, Explorer, Ranger**

**FRONT WHEEL**  
**2WD**

2005-2002 Explorer Hub Assembly .....	SP470200[2] <sup>40</sup>
2005-2001 Explorer Sport / Sport Trac Seal (Inner) .....	9150S[2]
Set (Inner) .....	SET5[2]
Set (Outer) .....	SET2[2]
2005-1995 Ranger Seal (Inner) .....	9150S[2]
Set (Inner) .....	SET5[2]
Set (Outer) .....	SET2[2]
2001-1995 Explorer Seal (Inner) .....	9150S[2]
Set (Inner) .....	SET5[2]
Set (Outer) .....	SET2[2]
1997-1990 Aerostar Seal (Inner) .....	6815[2]
Set (Inner) .....	SET6[2]
Set (Outer) .....	SET2[2]
1994-1991 Explorer Seal (Inner) .....	6815[2]
Set (Inner) .....	SET6[2]
Set (Outer) .....	SET2[2]
1994-1990 Ranger Seal (Inner) .....	6815[2]
Set (Inner) .....	SET6[2]
Set (Outer) .....	SET2[2]

**4WD/AWD**

2005-2003 Explorer Sport / Sport Trac Hub Assembly .....	SP450202[2]
2005-2003 Ranger (4 Whl. ABS) Hub Assembly .....	SP450203[2] <sup>25</sup>
2005-2002 Explorer (4 Whl. ABS) Hub Assembly .....	SP470200[2] <sup>40</sup>
2005-2000 Ranger (Rr Whl. ABS)(w/o Auto Locking Hub)(From 6/22/2000) Hub Assembly .....	515014[2]
2002-2001 Explorer Sport / Sport Trac Hub Assembly .....	SP450200[2] <sup>40</sup>
2002-2000 Ranger (ABS)(w/o Auto Locking Hub)(From 6/22/2000) Hub Assembly .....	SP450201[2] <sup>40</sup>
Sensor Kit .....	SK450201[2] <sup>16</sup>

**FRONT WHEEL (cont.)**  
**4WD/AWD (cont.)**

2001-1995 Explorer (5 Lug Whl.)(ABS) Hub Assembly .....	SP450200[2] <sup>40</sup>
2000-1998 Ranger (4 Whl. ABS)(To 6/21/2000) Hub Assembly .....	515027[2]
2000-1998 Ranger (Rr Whl. ABS)(To 6/21/2000) Hub Assembly .....	515026[2]
1997-1990 Aerostar Hub Assembly .....	515000[2]
1997-1990 Bronco II, Ranger (Dana/Spicer 28 Axle) Seal (Inner) .....	8312S[2]
Set (Inner) .....	SET45[2]
Set (Outer) .....	SET45[2]
1997-1990 Bronco II, Ranger (Dana/Spicer 35 Axle) Seal (Inner) .....	4250[2]
Set (Inner) .....	SET37[2]
Set (Outer) .....	SET37[2]
1994-1991 Explorer Seal (Inner) .....	4250[2]
Set (Inner) .....	SET37[2]
Set (Outer) .....	SET37[2]

**REAR WHEEL**

2005-2002 Explorer (Ind Rr. Sus) Hub Assembly .....	HA590259K[2] <sup>68</sup>
2005-2002 Explorer Sport, Sport Trac (w/o Ind. Rr. Sus.) Seal .....	8835S[2]
Cylindrical Bearing .....	6408[2]
Kit .....	TRP1559TV[2] <sup>19</sup>
2005-1998 Ranger (Elec.) Set .....	SET49[2]
2005-1990 Ranger (8.8" R.G.) Seal .....	8835S[2]
Cylindrical Bearing .....	6408[2]
Kit .....	TRP1559TV[2] <sup>19</sup>
2005-1990 Ranger (7.5" R.G.) Seal .....	8660S[2]
Cylindrical Bearing .....	5707[2]
Kit .....	TRP1563TAV[2] <sup>19</sup>

**153**

<sup>16</sup>Part Obsolete, Check For Availability, While Supplies Last    <sup>19</sup>Opt. Axle Rpr Brg. Replaces O.E. Brg & Seal    <sup>25</sup>New Item, Check For Availability    <sup>40</sup>5 Lug. Incls Sensor Cable    <sup>68</sup>Kit Incls, Flg, Brg, & Snap Ring



# Bearings and Seals

Mfg./Year    Model & Location    Part No    Mfg./Year    Model & Location    Part No

## **FORD TRUCK - LT TRUCK & LT SUV - Aerostar, Bronco II, Explorer, Ranger** *(cont.)*

### **REAR WHEEL (cont.)**

<b>2001-1990</b>	Explorer (w/o Ind Rr. Sus)	
Seal	.....	8835S[2]
Cylindrical Bearing	.....	6408[2]
Kit	.....	TRP1559TV[2] <sup>19</sup>
<b>1997-1990</b>	Aerostar (8.8" R.G.)	
Seal	.....	8835S[2]
Cylindrical Bearing	.....	6408[2]
Kit	.....	TRP1559TV[2] <sup>19</sup>
<b>1997-1990</b>	Aerostar (7.5" R.G.)	
Seal	.....	8660S[2]
Cylindrical Bearing	.....	5707[2]
Kit	.....	TRP1563TAV[2] <sup>19</sup>
<b>1990</b>	Aerostar (Dana/Spicer 30 Axle)	
Seal	.....	2146[2]
Set	.....	SET9[2]
<b>1990</b>	Bronco II	
Seal	.....	8660S[2]
Cylindrical Bearing	.....	5707[2]
Kit	.....	TRP1563TAV[2] <sup>19</sup>

### **4WD FRONT AXLE**

#### **Axle Shaft**

<b>2002</b>	(Dana/Spicer 30 axle)	
Seal Viton	.....	710429[2]
<b>2001</b>	Explorer	
Seal Viton (LH)	.....	710429
Seal Viton (RH)	.....	710428
<b>2001-1995</b>	(Dana/Spicer 35 axle)	
Seal Viton (LH)	.....	710429
Seal Viton (RH)	.....	710428
<b>1997-1990</b>	(Dana/Spicer 35IFS axle)	
Seal (LH)	.....	710043
Seal (RH)	.....	470672
Cylindrical Bearing (RH)	.....	5707
<b>1997-1990</b>	(Dana/Spicer 28IFS axle)	
Seal (LH)	.....	3543
Seal (RH)	.....	710065

#### **Differential Rebuild Kit**

<b>2005-1990</b>	(Dana/Spicer 35 axle)	
Kit	.....	DRK335
<b>2003-2001</b>	Explorer (Dana/Spicer Super 30 axle)	
Kit	.....	DRK334B
<b>1999-1990</b>	(Dana/Spicer 28 axle)	
Kit	.....	DRK333

#### **Differential**

<b>2005-2001</b>	Ranger	
Cone/Cup	.....	LM501349-LM501314[2]
<b>2003-2001</b>	Explorer (Dana/Spicer Super 30 axle)	
Cone/Cup	.....	LM501349-LM501314[2]
<b>2000-1990</b>	(Dana/Spicer 35 axle)	
Cone/Cup	.....	LM501349-LM501314[2]
<b>1999-1990</b>	(Dana/Spicer 28 axle)	
Cone/Cup	.....	LM29749-LM29710[2]

### **4WD FRONT AXLE**

#### **Pinion**

<b>2005-2001</b>	Ranger	
Cone/Cup (Inner)	.....	HM88648-HM88610
Seal Viton	.....	714675
Cone/Cup	.....	M86649-M86610
<b>2003-2001</b>	Explorer (Dana/Spicer Super 30 axle)	
Cone/Cup (Inner)	.....	HM88649-HM88610
Cone/Cup (Outer)	.....	M86649-M86610
<b>2000-1990</b>	(Dana/Spicer 35 axle)	
Cone/Cup (Inner)	.....	HM88648-HM88610
Seal Viton (Outer)	.....	714675
Cone/Cup (Outer)	.....	M86649-M86610
<b>1999-1990</b>	(Dana/Spicer 28 axle)	
Cone/Cup (Inner)	.....	M88048-M88010
Seal (Outer)	.....	4244
Cone/Cup (Outer)	.....	M86649-M86610

#### **Spindle Kit**

<b>1997-1990</b>	(Dana/Spicer 35IFS axle)	
Bearing & Seal Kit	.....	SBK4 <sup>36</sup>
<b>1997-1990</b>	(Dana/Spicer 28IFS axle)	
Bearing & Seal Kit	.....	SBK2 <sup>34</sup>

#### **Spindle**

<b>1997-1993</b>	(Dana/Spicer 28IFS, 35IFS axle)	
Seal (Inner)	.....	710453
Needle Bearing (Inner)	.....	B2110
Seal (Outer)	.....	722108
Needle Bearing Thrust	.....	NTA1625
<b>1997-1990</b>	(Dana/Spicer 35IFS axle)	
Seal (Inner)	.....	722109
Needle Bearing (Inner)	.....	B2110
Seal (Outer)	.....	722108
Needle Bearing Thrust	.....	NTA1625
<b>1992-1990</b>	(Dana/Spicer 28IFS axle)	
Seal (Inner)	.....	340835
Needle Bearing (Inner)	.....	SCE188
Seal (Outer)	.....	8314S

### **REAR AXLE**

#### **Differential Rebuild Kit**

<b>2005-1990</b>	(7.5" R.G.)	
Kit	.....	DRK315
<b>2005-1990</b>	(8.8" R.G.)	
Kit	.....	DRK311
<b>2003-1990</b>	(Dana/Spicer 35 axle)	
Kit	.....	DRK335
<b>2003-1990</b>	(Dana/Spicer 28 axle)	
Kit	.....	DRK333

#### **Differential**

<b>2005-1990</b>	(7.5" R.G.)	
Cone/Cup	.....	LM501349-LM501314[2]
<b>2005-1990</b>	(8.8" R.G.)	
Set	.....	SET36[2]

Mfg./Year    Model & Location    Part No    Mfg./Year    Model & Location    Part No

---

**FORD TRUCK - LT TRUCK & LT SUV - Aerostar, Bronco II, Explorer, Ranger**  
**(cont.)**

---

**REAR AXLE**

**Pinion**

<b>2005-1990</b> (7.5", 8.8" R.G.)	
Cone/Cup (Inner) .....	M802048-M802011
Seal Viton (Outer) .....	3604
Cone/Cup (Outer) .....	M88048-M88010

**TRANSFER CASE REBUILD KIT**

<b>2003-1990</b> (Warner 1354)	
Kit .....	TCRK1354
<b>2000-1995</b> 4.0L. Explorer	
Kit .....	TCRK4405
<b>2000-1995</b> 5.0L Explorer	
Kit .....	TCRK4404
<b>1997-1990</b> Aerostar	
Kit .....	TCRK28
<b>1990</b> (Warner 1359)	
Kit .....	TCRK1359

**TRANSFER CASE**

**Input Shaft**

<b>2002-1993</b> (Warner 1354)	
Seal .....	710403
Ball Bearing .....	109L
Kwik Slv (Opt Rpr) .....	KWK99166
Needle Bearing Pilot .....	M18161
<b>2001-1996</b> (Warner 4405)	
Seal .....	710403
Ball Bearing .....	209LO
Kwik Slv (Opt Rpr) .....	KWK99166
Needle Bearing Pilot .....	M18161
<b>1998-1996</b> (Warner 4404)(booted)	
Seal .....	4333N
<b>1998-1996</b> (Warner 4404)(w/o boot)	
Seal .....	3946
Kwik Slv (Opt Rpr) .....	KWK99187
<b>1997-1990</b> (Spicer TC28)	
Seal .....	710389
Ball Bearing .....	209D
Kwik Slv (Opt Rpr) .....	KWK99174
Needle Bearing Pilot .....	B2110
<b>1992-1990</b> (Warner 1354)	
Seal .....	4143
Ball Bearing .....	109L
Needle Bearing Pilot .....	M18161
<b>1990</b> (Warner 1359)	
Seal .....	710062
Ball Bearing .....	109FFL
Kwik Slv (Opt Rpr) .....	KWK99175
Needle Bearing Pilot .....	M18161

**Front Output Shaft**

<b>2002-1993</b> (Warner 1354)	
Seal .....	710403
Ball Bearing .....	206WB
Kwik Slv (Opt Rpr) .....	KWK99166

**TRANSFER CASE (cont.)**

**Front Output Shaft (cont.)**

<b>2001-1996</b> (Warner 4403, 4404)	
Ball Bearing (Inner) .....	206WB
Seal (Outer) .....	710403
Ball Bearing (Outer) .....	207
Kwik Slv (Opt Rpr) .....	KWK99166
<b>2001-1996</b> (Warner 4405)	
Ball Bearing (Inner) .....	306H
Seal (Outer) .....	710403
Ball Bearing (Outer) .....	206WB
Kwik Slv (Opt Rpr) .....	KWK99166
Needle Bearing .....	FC67945 <sup>16</sup>
<b>1997-1990</b> (Spicer TC28)	
Seal .....	710388
Ball Bearing .....	209BB
Kwik Slv (Opt Rpr) .....	KWK99187
Needle Bearing Pilot .....	B2110
<b>1992-1990</b> (Warner 1354)	
Seal .....	4143
Ball Bearing .....	206WB

**Rear Output Shaft**

<b>2002-1993</b> (Warner 1354)	
Seal .....	710403
Ball Bearing .....	206WB
Kwik Slv (Opt Rpr) .....	KWK99166
<b>2001-1999</b> (Warner 4403)	
Seal .....	710403
Ball Bearing .....	208
Kwik Slv (Opt Rpr) .....	KWK99166
<b>2001-1996</b> (Warner 4405)	
Seal .....	710403
Ball Bearing .....	306H
Kwik Slv (Opt Rpr) .....	KWK99166
<b>1998-1996</b> (Warner 4404)	
Ball Bearing (Inner) .....	N1061
Seal (Outer) .....	710403
Ball Bearing (Outer) .....	208SL
Kwik Slv (Opt Rpr) .....	KWK99166
<b>1997-1990</b> (Spicer TC28)	
Seal .....	710441
Ball Bearing .....	209BB
Needle Bearing Pilot .....	B2110
<b>1992-1990</b> (Warner 1350, 1354)	
Seal .....	4143
Ball Bearing .....	206WB
Needle Bearing Pilot .....	JH1612
<b>1990</b> (Warner 1359)	
Seal .....	4143
Ball Bearing .....	206WB
Kwik Slv (Opt Rpr) .....	KWK99175

**Selector Shaft Seal/Man. Shaft**

<b>2002-1990</b>	
Seal .....	330385

**TRANSMISSION REBUILD KIT**

<b>2002-1990</b> (Mazda M5R1)	
Kit .....	TRK247

<sup>16</sup>Part Obsolete, Check For Availability, While Supplies Last

# Bearings and Seals

Mfg./Year	Model & Location	Part No	Mfg./Year	Model & Location	Part No
<b>FORD TRUCK - LT TRUCK &amp; LT SUV - Aerostar, Bronco II, Explorer, Ranger</b>					
<b>(cont.)</b>					

## TRANSMISSION REBUILD KIT (cont.)

2002-1990 Mitsubishi FM146  
Kit .....TRK50

## 4-SPEED AUTOMATIC TRANSMISSION

### Torque Converter

2001-1996 (4R70W)  
Seal .....3404  
1996-1990 (A4LD, 4R44E, 4R55E)  
Seal .....2658

### Rear Seal/Ext. Housing

2002-1990 (A4LD, 4R44E, 4R55E)  
Seal .....2655  
2001-1996 (4R70W)  
Seal .....4765

### Selector Shaft Seal/Man. Shaft

2002-1990  
Seal .....7929S

## 5-SPEED AUTOMATIC TRANSMISSION

### Rear Seal/Ext. Housing

2002 (5R55W)  
Seal .....4765  
2002-1997 (5R55E)  
Seal .....2655

### Selector Shaft Seal/Man. Shaft

2002-1997 (5R55E, 5R55W)  
Seal .....7929S

## CLUTCH

### Pilot Bearing

2002-1990 4 Cyl. (w/o Diesel)  
Needle Bearing .....FC65354  
2001-1990 6 Cyl. 3.0  
Needle Bearing .....FC65354  
1998-1992 6 Cyl. 2.9  
Needle Bearing .....F33126  
1998-1992 6 Cyl. 4.0  
Needle Bearing .....F33126  
1991-1990 6 Cyl. 4.0  
Needle Bearing .....F33126  
1991-1990 6 Cyl. 2.8, 2.9 (Mazda trans)  
Needle Bearing .....F33126  
1991-1990 6 Cyl. 2.8, 2.9 (Mitsubishi  
trans)  
Bushing .....PB52

### Release Bearing

2001-1993 (Hyd.piston type)  
Bearing Assembly .....614169  
1992-1990 (Hyd.piston type)  
Bearing Assembly .....614061

## 5-SPEED MANUAL TRANSMISSION

### Transmission Rebuild Kit

2002-1990 (FM 146)  
Kit .....TRK50  
2002-1990 (M5R1)  
Kit .....TRK247  
2002-1990 (FM 145)  
Kit .....TRK50

### Front Input Shaft

2002-1990 (Mazda M5R1)  
Seal .....1990  
Kwik Slv (Opt Rpr) .....KWK99106  
1991-1990 Mitsubishi  
Seal .....223014  
Kwik Slv (Opt Rpr) .....KWK99114

### Countershaft

1991-1990 Mitsubishi  
Cone/Cup (Rr) .....XAA30205-YAA30205  
Cone/Cup (Center) .....XAA30205-YAA30205

### Rear Output Shaft

2002-1990 (Mazda M5R1)(2WD)  
Seal .....7692S  
2002-1990 (Mazda M5R1)(4WD)  
Seal .....1981  
1991-1990 Mitsubishi  
Seal .....223608  
Ball Bearing .....206L

## DRIVESHAFT SUPPORT

1997-1995 Ranger  
Hanger Brg Assy .....HBD206FF  
1994-1990 Ranger (Spicer 1280)(1.1811"  
30mm Brg. I.D.)  
Hanger Brg Assy .....HBD206FF

## AUXILIARY SHAFT

### 4 Cylinder

2001-1990 122/2.0, 140/2.3, 150/2.5  
Seal .....2955

## CAMSHAFT SEAL

### 4 Cylinder

2000-1990 122/2.0, 140/2.3, 150/2.5  
Seal .....2955

## CRANKSHAFT FRONT SEAL

### 4 Cylinder

2003-2001 140/2.3L (DOHC)  
Seal .....3771  
Kwik Slv (Opt Rpr) .....KWK99139  
2001-1990 122/2.0L, 140/2.3L, 150/2.5L  
Seal .....2955

**FORD TRUCK - LT TRUCK & LT SUV - Aerostar, Bronco II, Explorer, Ranger**  
*(cont.)*

**CRANKSHAFT FRONT SEAL**

**6 Cylinder**

2003-1990	183/3.0L	
	Seal (Frt Entry) .....	2692
	Kwik Slv (Opt Rpr) .....	KWK99187
	Harmonic Balancer Slv .....	88187
2003-1990	171/2.8L, 177/2.9, 244/4.0L	
	Seal Viton .....	2012V
	Kwik Slv (Opt Rpr) .....	KWK99166

**8 Cylinder**

2003-2002	281/4.6L	
	Seal .....	482041N
	Kwik Slv (Opt Rpr) .....	KWK99187
	Harmonic Balancer Slv	
	Harmonic Bal. Slv. ....	88187
2001-1996	302/5.0L	
	Seal (Frt) .....	2692
	Seal (Rr Entry) .....	2942
	Kwik Slv (Opt Rpr) .....	KWK99187
	Harmonic Balancer Slv .....	88187

**CRANKSHAFT REAR SEAL**

**4 Cylinder**

2003-1990	122/2.0L, 140/2.3L, 150/2.5L	
	Seal Viton .....	3909
	Seal PTFE H/D Opt .....	5277
	Kwik Slv (Opt Rpr) .....	KWK99363

**CRANKSHAFT REAR SEAL**

**6 Cylinder**

2003-1990	171/2.8L, 177/2.9, 244/4.0L	
	Seal Viton .....	3393
	Seal PTFE H/D Opt .....	5288
	Kwik Slv (Opt Rpr) .....	KWK99237
2002-1995	181/3.0L(DOHC), 231/3.8L	
	Seal Viton .....	3909
	Seal PTFE H/D Opt .....	5277
	Kwik Slv (Opt Rpr) .....	KWK99363
2002-1990	183/3.0L	
	Seal .....	3772
	Seal PTFE H/D Opt .....	5287

**8 Cylinder**

2003-2002	281/4.6L	
	Seal Viton .....	3909
	Seal PTFE H/D Opt .....	5277
	Kwik Slv (Opt Rpr) .....	KWK99363
2001-1996	302/5.0L	
	Seal Viton .....	3909
	Seal PTFE H/D Opt .....	5277
	Kwik Slv (Opt Rpr) .....	KWK99363

**FORD TRUCK - LT TRUCK & LT SUV - Escape**

**FRONT WHEEL**

2006-2001		
	Ball Bearing .....	510072[2]

**REAR WHEEL**

2006-2001		
	Ball Bearing .....	510029[2]

**4WD FRONT AXLE**

**Axle Shaft**

2005-2001		
	Seal Viton .....	710429[2]

**REAR AXLE**

**Differential**

2004-2001		
	Cone/Cup .....	LM29749-LM29710[2]

**REAR AXLE**

**Pinion**

2004-2001		
	Cone/Cup (Inner) .....	M86649-M86610
	Cone/Cup (Outer) .....	M88048-M88010

**5-SPEED MANUAL TRANSMISSION**

**Front Input Shaft**

2003-2001	Mazda	
	Seal .....	1990
	Set .....	SET32
	Kwik Slv (Opt Rpr) .....	KWK99106

**Rear Output Shaft**

2003-2001	(Mazda M5R1)(2WD)	
	Seal .....	7692S
2003-2001	(Mazda M5R1)(4WD)	
	Seal .....	1981

# Bearings and Seals

Mfg./Year	Model & Location	Part No	Mfg./Year	Model & Location	Part No
-----------	------------------	---------	-----------	------------------	---------

## FORD TRUCK - LT TRUCK & LT SUV - Escape (cont.)

### CRANKSHAFT FRONT SEAL

#### 4 Cylinder

2003-2001	121/2.0L (DOHC)	
Seal	.....	3771
Kwik Slv (Opt Rpr)	.....	KWK99139

#### 6 Cylinder

2003-2001	181/3.0L (DOHC)	
Seal	.....	482041N
Kwik Slv (Opt Rpr)	.....	KWK99187
Harmonic Balancer Slv	.....	88187

### CRANKSHAFT REAR SEAL

#### 4 Cylinder

2003-2001	121/2.0L (DOHC)	
Seal	.....	3772
Seal PTFE H/D Opt	.....	5287

## FORD TRUCK - MINIVAN - Freestar, Windstar

### FRONT WHEEL

2004	(L.H.)(ABS)	
Hub Assembly	.....	HA590024[2] <sup>25</sup>
2004	(R.H.)(ABS)	
Hub Assembly	.....	HA590025[2] <sup>25</sup>
2003-1999		
Hub Assembly	.....	513156[2]
1998-1995		
Set	.....	SET49[2]

### REAR WHEEL

2004	(L.H.)(ABS)	
Hub Assembly	.....	HA590022[2] <sup>25</sup>
2004	(R.H.)(ABS)	
Hub Assembly	.....	HA590021[2] <sup>25</sup>
2003-1997	From 8/4/97	
Hub Assembly	.....	512149[2]
1997-1995		
Seal (Inner)	.....	6815[2]
Set (Inner)	.....	SET6[2]
Set (Outer)	.....	SET12F[2] <sup>59</sup>

### 4-SPEED AUTOMATIC TRANSAXLE

#### Differential

2001-1995		
Ball Bearing	.....	208[2]

#### Torque Convertor

2004-2001	(AF50N/AX4N)	
Seal	.....	4189H
2000-1995	(AXODE, AX4S)	
Seal	.....	4189H

#### Output Shaft

2004-2001	(AF50N/AX4N)	
Seal	.....	3622S[2]
Kwik Slv (Opt Rpr)	.....	KWK99169[2]
2000-1995	(AXODE, AX4S)	
Seal	.....	3622S[2]
Kwik Slv (Opt Rpr)	.....	KWK99169[2]

### CRANKSHAFT FRONT SEAL

#### 6 Cylinder

2003-1995	232/3.8L	
Seal (Frnt)	.....	2692
Seal (Rr)	.....	2942
Kwik Slv (Opt Rpr)	.....	KWK99187
Harmonic Balancer Slv		
Harmonic Bal. Slv.	.....	88187
2000-1995	183/3.0L	
Seal (Frnt)	.....	2692
Seal (Rr)	.....	2942
Kwik Slv (Opt Rpr)	.....	KWK99187
Harmonic Balancer Slv		
Harmonic Bal. Slv.	.....	88187

### CRANKSHAFT REAR SEAL

#### 6 Cylinder

2004	239/3.9L	
Seal Viton	.....	3909
Kwik Slv (Opt Rpr)	.....	KWK99363
2003-1995	232/3.8L	
Seal Viton	.....	3909
Seal PTFE H/D Opt	.....	5277
Kwik Slv (Opt Rpr)	.....	KWK99363
2000-1995	183/3.0L	
Seal	.....	3772
Seal PTFE H/D Opt	.....	5287

**FRONT WHEEL**

<b>1996-1995</b>	
Seal (Inner) .....	710430[2]
Set (Inner) .....	SET37[2]
Set (Outer) .....	SET45[2]
<b>1994-1990 (Auto Locking Hubs)</b>	
Seal (Inner) .....	4250[2]
Set (Inner) .....	SET37[2]
Set (Outer) .....	SET45[2]
<b>1994-1990 (Man. Locking Frt. Hubs)</b>	
Seal (Inner) .....	710091[2]
Set (Inner) .....	SET38[2]
Set (Outer) .....	SET45[2]

**REAR WHEEL**

<b>1996-1990 (8.8" R.G.)(Sterling Axle)</b>	
Seal .....	8835S[2]
Cylindrical Bearing .....	6408[2]
Kit .....	TRP1559TV[2] <sup>19</sup>

**4WD FRONT AXLE**

**Differential Rebuild Kit**

<b>1996-1990</b>	
Kit .....	DRK339B

**Differential**

<b>1996-1990</b>	
Cone/Cup .....	25590-25523[2]

**Pinion**

<b>1996-1990 (Prod. from Ch. #K20002 on)</b>	
Cone/Cup (Inner) .....	31594-31520
Seal (Outer) .....	5778
Cone/Cup (Outer) .....	02872-02820

**Spindle Kit**

<b>1996-1990</b>	
Bearing & Seal Kit .....	SBK4 <sup>36</sup>

**Spindle**

<b>1996-1993 (Dana/Spicer 28IFS, 35IFS axle)</b>	
Seal (Inner) .....	710453
Needle Bearing (Inner) .....	B2110
Seal (Outer) .....	722108
Needle Bearing Thrust .....	NTA1625
<b>1992-1990</b>	
Seal (Inner) .....	722108
Needle Bearing (Inner) .....	B2110
Seal (Outer) .....	722109

**REAR AXLE**

**Differential Rebuild Kit**

<b>1997-1990 (8.8" R.G.)</b>	
Kit .....	DRK311

**REAR AXLE**

**Differential**

<b>1996-1990 (8.8" R.G.)</b>	
Set .....	SET36[2]

**Pinion**

<b>1996-1990 (8.8" R.G.)</b>	
Cone/Cup (Inner) .....	M802048-M802011
Seal Viton (Outer) .....	3604
Cone/Cup (Outer) .....	M88048-M88010

**TRANSFER CASE REBUILD KIT**

<b>1996-1990 (Warner 1356)</b>	
Kit .....	TCRK1356
<b>1991-1990 (Warner 1345)</b>	
Kit .....	TCRK1345

**TRANSFER CASE**

**Input Shaft**

<b>1996 (Warner 4406)</b>	
Ball Bearing .....	211TB
Needle Bearing Pilot .....	BK3026
<b>1996-1990 (Warner 1356)</b>	
Seal .....	714503
Ball Bearing .....	110CB
Needle Bearing (Pilot) .....	
Pilot .....	BK3026
<b>1990 (Warner 1345)</b>	
Seal .....	710062
Kwik Slv (Opt Rpr) .....	KWK99175

**Front Output Shaft**

<b>1996 (Warner)</b>	
Seal .....	4333N
Ball Bearing .....	208
<b>1996-1990 (Warner 1356)</b>	
Seal .....	714503
Ball Bearing .....	110CB
Needle Bearing Pilot .....	BK3026
<b>1990 (Warner 1345)</b>	
Seal .....	710062
Ball Bearing .....	207
Kwik Slv (Opt Rpr) .....	KWK99187

**Rear Output Shaft**

<b>1996 (Warner 4406, 4416)</b>	
Seal .....	4503N
Ball Bearing .....	207
<b>1996-1990 (Warner 1356)(slip yoke)</b>	
Seal .....	4503N
Ball Bearing .....	207
<b>1996-1990 (Warner)(fixed yoke)</b>	
Seal .....	4333N
Ball Bearing .....	207
<b>1990 (Warner 1345)</b>	
Seal .....	3946
Ball Bearing .....	207
Kwik Slv (Opt Rpr) .....	KWK99187
Needle Bearing Pilot .....	B2812

<sup>19</sup>Opt. Axle Rpr Brg. Replaces O.E. Brg & Seal Ring

<sup>36</sup>Opt. Kit Incls, Brg B2110, Seals 722108 & 722109, &

# Bearings and Seals

Mfg./Year	Model & Location	Part No	Mfg./Year	Model & Location	Part No
-----------	------------------	---------	-----------	------------------	---------

## FORD TRUCK - FULL SIZE SUV - Bronco - Full-Size (cont.)

### TRANSFER CASE

#### Selector Shaft Seal/Man. Shaft

1996-1990 (Warner)	
Seal .....	330385

### TRANSMISSION REBUILD KIT

1996-1990 (Mazda M5R2)	
Kit .....	TRK248
1996-1990 (ZF S5 42)	
Kit .....	TRK300ZF
1993-1990 (Warner T18)	
Kit .....	TRKBW18

### 3-SPEED AUTOMATIC TRANSMISSION

#### Torque Converter

1990 (C4, C5, C6)	
Seal .....	331107N
Kwik Slv (Opt Rpr) .....	KWK99199

#### Rear Seal/Ext. Housing

1990 (C6)(3.066" O.D.)	
Seal .....	410308

#### Selector Shaft Seal/Man. Shaft

1990 (C6)	
Seal .....	7929S

### 4-SPEED AUTOMATIC TRANSMISSION

#### Torque Converter

1996-1990 (AODE, E4OD)	
Seal .....	3404
1993-1990 (AOT, AOD)	
Seal .....	331107N
Kwik Slv (Opt Rpr) .....	KWK99199

#### Rear Seal/Ext. Housing

1996-1994 (AODE)	
Seal .....	4765
1996-1990 (E4OD)	
Seal .....	7300S
Seal Kit .....	5203 <sup>64</sup>
1993-1990 (AOT, AOD)(long boot)	
Seal .....	7692S
Seal Kit .....	5202 <sup>64</sup>

#### Selector Shaft Seal/Man. Shaft

1996-1990	
Seal .....	7929S

### CLUTCH

#### Pilot Bearing

1996-1990	
Needle Bearing .....	FC65662

### CLUTCH

#### Release Bearing

1996-1993 (5 Spd.)(Hyd. piston type)	
Bearing Assembly .....	614169
1992-1990 (5 Spd.)(Hyd. piston type)	
Bearing Assembly .....	614061
1992-1990 (4 Spd.)	
Bearing Assembly .....	614014

### 4-SPEED MANUAL TRANSMISSION

#### Input Shaft

1993-1990 (Warner T18)	
Seal .....	7412S
Ball Bearing .....	308LTB
Kwik Slv (Opt Rpr) .....	KWK9912S

#### Rear Output Shaft

1993-1990 (Warner T18)(28 spline)	
Seal .....	7692S
Ball Bearing .....	308LI
Seal Kit .....	5202 <sup>64</sup>

### 5-SPEED MANUAL TRANSMISSION

#### Front Input Shaft

1996-1992 (ZF S5 42)	
Seal Viton .....	713771
Cone/Cup .....	28580-28521
Kwik Slv (Opt Rpr) .....	KWK99139
1996-1992 Mazda	
Seal .....	223012
Kwik Slv (Opt Rpr) .....	KWK99114

#### Front Input Shaft Pocket

1996-1992 (ZF S5 42)	
Cone .....	JH13349

#### Countershaft

1996-1992 (ZF S5 42)	
Cone/Cup .....	2580-2520[2]

#### Rear Output Shaft

1996-1992 (ZF S5 42 application)(4WD)	
Seal .....	225010
Cone/Cup .....	J28573-28521
1996-1992 (ZF S5 42)(4WD)	
Seal .....	1217
Cone/Cup .....	J28573-28521
1996-1992 Mazda	
Seal .....	710415

Mfg./Year	Model & Location	Part No	Mfg./Year	Model & Location	Part No
<b>FORD TRUCK - FULL SIZE SUV - Bronco - Full-Size (cont.)</b>					

**CRANKSHAFT FRONT SEAL**

**6 Cylinder**

1992-1990 300/4.9L	
Seal (Frt Entry) .....	2692
Seal (Rr Entry) .....	2942
Kwik Slv (Opt Rpr) .....	KWK99187
Harmonic Balancer Slv .....	88187

**8 Cylinder**

1996-1990 351/5.8L	
Seal (Frt Entry) .....	2692
Seal (Rr Entry) .....	2942
Kwik Slv (Opt Rpr) .....	KWK99187
Harmonic Balancer Slv .....	88187
1996-1990 302/5.0L	
Seal (Frt Entry) .....	2692
Seal (Rr Entry) .....	2942
Kwik Slv (Opt Rpr) .....	KWK99187
Harmonic Balancer Slv .....	88187

**CRANKSHAFT REAR SEAL**

**6 Cylinder**

1992-1990 300/4.9L	
Seal Viton .....	2377
Seal PTFE H/D Opt .....	5278
Kwik Slv (Opt Rpr) .....	KWK99372

**8 Cylinder**

1996-1990 302/5.0L From 1/1/83	
Seal Viton .....	3909
Seal PTFE H/D Opt .....	5277
Kwik Slv (Opt Rpr) .....	KWK99363
1996-1990 351/5.8L (W) From 7/10/83	
Seal Viton .....	2377
Seal PTFE H/D Opt .....	5278
Kwik Slv (Opt Rpr) .....	KWK99372

**FORD TRUCK - FULL SIZE SUV - Excursion**

**FRONT WHEEL**

**2WD**

2005-2000	
Seal (Inner) .....	4160[2]
Set (Inner) .....	SET47[2]
Cone/Cup (Outer) .....	15101-15245[2]

**4WD/AWD**

2005-2000 Coarse Thread Studs	
Hub Assembly .....	515020[2]

**REAR WHEEL**

2005-2000	
Cone/Cup (Inner) .....	NP114036-NP064306[2]
Set (Outer) .....	SET38[2]

**4WD FRONT AXLE**

**Differential Rebuild Kit**

2005-2000 (Spicer 50)	
Kit .....	DRK336A <sup>25</sup>

**Differential**

2005-2000 (Spicer 50)	
Cone/Cup .....	JLM104948-LM104911A[2]

**4WD FRONT AXLE**

**Pinion**

2005-2000 (Spicer 50)	
Cone/Cup (Inner) .....	HM88649-HM88610
Seal (Outer) .....	5778
Cone/Cup (Outer) .....	02872-02820
Kwik Slv (Opt Rpr) .....	KWK99155

**REAR AXLE**

**Differential Rebuild Kit**

2005-2000 (10.5" R.G.)	
Kit .....	DRK317

**Differential**

2005-2000 (10.5" R.G.)	
Cone/Cup .....	469-453X[2]

**Pinion**

2005-2000 (10.5" R.G.)	
Cone/Cup (Inner) .....	NP504493-NP949481
Seal Viton (Outer) .....	4278
Cone/Cup (Outer) .....	HM89443-HM89411
Kwik Slv (Opt Rpr) .....	KWK99181

**TRANSFER CASE REBUILD KIT**

2003-2000 (New Process 273)	
Kit .....	TCRK271

**TRANSFER CASE**

**Input Shaft**

2003-2000 (New Process 273)	
Ball Bearing .....	211TB

<sup>25</sup>New Item, Check For Availability



# Bearings and Seals

Mfg./Year	Model & Location	Part No	Mfg./Year	Model & Location	Part No
-----------	------------------	---------	-----------	------------------	---------

## FORD TRUCK - FULL SIZE SUV - Excursion (cont.)

### TRANSFER CASE

#### Front Output Shaft

2003-2000 (New Process 273)  
Ball Bearing ..... 111TB

### 4-SPEED AUTOMATIC TRANSMISSION

#### Torque Converter

2003-2000 (4R100)  
Seal .....3404

#### Rear Seal/Ext. Housing

2003-2000 (4R100)  
Seal 3.175 O.D. .... 100086

### CRANKSHAFT FRONT SEAL

#### 8 Cylinder

2003-2000 330/5.4L (SOHC)  
Seal .....482041N  
Kwik Slv (Opt Rpr) .....KWK99187  
Harmonic Balancer Slv ..... 88187  
2003-2000 446/7.3 (Diesel)  
Seal .....5066<sup>26</sup>

### CRANKSHAFT FRONT SEAL

#### 10 Cylinder

2003-2000 415/6.8L  
Seal .....482041N  
Kwik Slv (Opt Rpr) .....KWK99187  
Harmonic Balancer Slv  
Harmonic Bal. Slv. .... 88187

### CRANKSHAFT REAR SEAL

#### 8 Cylinder

2003-2000 330/5.4L (SOHC)  
Seal Viton ..... 3909  
Seal PTFE H/D Opt ..... 5277  
Kwik Slv (Opt Rpr) .....KWK99363  
2003-2000 446/7.3 (Diesel)  
Seal ..... 5723

#### 10 Cylinder

2003-2000 415/6.8L  
Seal Viton ..... 3909  
Seal PTFE H/D Opt ..... 5277  
Kwik Slv (Opt Rpr) .....KWK99363

## FORD TRUCK - FULL SIZE SUV - Expedition

### FRONT WHEEL

#### 2WD

2006-2003 (ABS)  
Hub Assembly ..... SP450106[2]  
2002-1997  
Seal (Inner) ..... 4148[2]  
Cone/Cup (Inner) ..... JL69349P-JL69310P[2]  
Set (Outer) ..... SET12FP[2]<sup>60</sup>

#### 4WD/AWD

2005-2003 (ABS)  
Hub Assembly ..... SP550202[2]  
2002-2000 (ABS)(M14 Bolts)  
Hub Assembly ..... 515031[2]  
2000-1997 (ABS)(M12 Bolts)  
Hub Assembly ..... SP550201[2]<sup>40</sup>

### REAR WHEEL

2002-1997  
Seal Viton ..... 100357[2]  
Cylindrical Bearing ..... DB69881[2]<sup>25</sup>  
Kit ..... TF01561R[2]<sup>19</sup>

### 4WD FRONT AXLE

#### Differential Rebuild Kit

2005-1997 (8.8" R.G.)  
Kit ..... DRK311F

### 4WD FRONT AXLE

#### Differential

2005-2004  
Cone/Cup ..... LM603049-LM603019[2]  
2003-1997  
Set ..... SET36[2]

#### Pinion

2005-1997  
Cone/Cup (Inner) ..... M802048-M802011  
Seal Viton (Outer) ..... 3604  
Cone/Cup (Outer) ..... M88048-M88010

### REAR AXLE

#### Differential Rebuild Kit

2005-2000 (9.75" R.G.)  
Kit ..... DRK316A  
2000-1997 (8.8" R.G.)  
Kit ..... DRK311  
1999-1997 (9.75" R.G.)  
Kit ..... DRK316

#### Differential

2005-2001 (8.8" R.G.)  
Cone/Cup ..... LM603049-LM603019[2]  
2005-1997 (9.75" R.G.)  
Cone/Cup ..... NP343847-NP372019[2]  
2000-1997 (8.8" R.G.)  
Set ..... SET36[2]

**FORD TRUCK - FULL SIZE SUV - Expedition (cont.)**

**REAR AXLE**

**Pinion**

<b>2005-2000</b>	(9.75" R.G.)	
Cone/Cup (Inner)	.....	NP576375-NP434567
Seal Viton (Outer)	.....	4278
Cone/Cup (Outer)	.....	HM89443-HM89411
<b>2005-1997</b>	(8.8" R.G.)	
Cone/Cup (Inner)	.....	M802048-M802011
Seal Viton (Outer)	.....	3604
Cone/Cup (Outer)	.....	M88048-M88010
<b>1999-1997</b>	(9.75" R.G.)	
Cone/Cup (Inner)	.....	NP576375-NP434567
Seal Viton (Outer)	.....	3604
Cone/Cup (Outer)	.....	M88048-M88010

**TRANSFER CASE REBUILD KIT**

<b>2002-1997</b>	(Warner 4406)	
Kit	.....	TCRK4406

**TRANSFER CASE**

**Input Shaft**

<b>2002</b>	(Warner 4416)	
Needle Bearing Pilot	.....	BK3026
<b>2002-1997</b>	(Warner 4406)	
Ball Bearing	.....	211TB
Needle Bearing Pilot	.....	BK3026

**Front Output Shaft**

<b>2002-1997</b>	(Warner)	
Seal	.....	4333N
Ball Bearing	.....	208

**Rear Output Shaft**

<b>2002-1997</b>	(Warner 4406, 4416)	
Seal	.....	4503N
Ball Bearing	.....	207

**Selector Shaft Seal/Man. Shaft**

<b>2002-1997</b>	(Warner)	
Seal	.....	330385

**4-SPEED AUTOMATIC TRANSMISSION**

**Torque Converter**

<b>2003-1997</b>	(E4OD, 4R100)	
Seal	.....	3404

**4-SPEED AUTOMATIC TRANSMISSION**

**Rear Seal/Ext. Housing**

<b>2003-1999</b>	(E4OD, 4R100)	
Seal 3.175 O.D.	.....	100086
<b>2003-1997</b>	(E4OD, 4R100)	
Seal	.....	7300S

**Selector Shaft Seal/Man. Shaft**

<b>2003-1997</b>	(E4OD, 4R100)	
Seal	.....	7929S

**CRANKSHAFT FRONT SEAL**

**8 Cylinder**

<b>2003-1997</b>	281/4.6L	
Seal	.....	482041N
Kwik Slv (Opt Rpr)	.....	KWK99187
Harmonic Balancer Slv	.....	88187
<b>2003-1997</b>	330/5.4L	
Seal	.....	482041N
Kwik Slv (Opt Rpr)	.....	KWK99187
Harmonic Balancer Slv	.....	88187

**CRANKSHAFT REAR SEAL**

**8 Cylinder**

<b>2003-1997</b>	281/4.6L	
Seal Viton	.....	3909
Seal PTFE H/D Opt	.....	5277
Kwik Slv (Opt Rpr)	.....	KWK99363
<b>2003-1997</b>	330/5.4L	
Seal Viton	.....	3909
Seal PTFE H/D Opt	.....	5277
Kwik Slv (Opt Rpr)	.....	KWK99363

**FORD TRUCK - 1/2 TON - Econoline, E150, F150, Parcel Delivery, Pickup**

**FRONT WHEEL**

**2WD**

<b>2006-1990</b>	E150	
Seal (Inner)	.....	4148[2]
Set (Inner)	.....	SET13[2]
Set (Outer)	.....	SET12F[2] <sup>59</sup>

**FRONT WHEEL (cont.)**

**2WD (cont.)**

<b>2004-2000</b>	F150 (8 Mtg. holes)	
Set (Inner)	.....	SET47[2]
Cone/Cup (Outer)	.....	15101-15245[2]

<sup>59</sup>O.E. Polymer Cage

# Bearings and Seals

Mfg./Year    Model & Location    Part No    Mfg./Year    Model & Location    Part No

**FORD TRUCK - 1/2 TON - Econoline, E150, F150, Parcel Delivery, Pickup (cont.)**

## FRONT WHEEL (cont.)

### 2WD (cont.)

2004-1997 F150 (5 or 7 Mtg. Holes)  
 Seal (Inner) ..... 4148[2]  
 Cone/Cup (Inner) ..... JL69349P-JL69310P[2]  
 Set (Outer) ..... SET12FP[2]<sup>60</sup>  
 1996-1990 F150  
 Seal (Inner) ..... 4148[2]  
 Set (Inner) ..... SET13[2]  
 Set (Outer) ..... SET12F[2]<sup>59</sup>

### 4WD/AWD

2005-2004 F150 (4 Whl. ABS)(5 Mtg. Holes)  
 Hub Assembly ..... SP450107[2]  
 2005-2004 F150 (4 Whl. ABS)(7 Mtg. Holes)  
 Hub Assembly ..... SP450108[2]  
 2004-2000 F150 (Rr. Whl. ABS)(5 Mtg. Holes)(M14 Whl. Bolts)  
 Hub Assembly ..... 515028[2]  
 2004-2000 F150 (Rr. Whl. ABS)(7 Mtg. Holes)  
 Hub Assembly ..... 515022[2]  
 2003-2001 F150 (4 Whl. ABS)(5 Mtg. Holes)(M14 Whl. Bolts)  
 Hub Assembly ..... 515029[2]  
 2003-2000 F150 (4 Whl. ABS)(7 Mtg. Holes)  
 Hub Assembly ..... 515030[2]  
 2000-1997 F150 (4 Whl. ABS)(5 Mtg. Holes)(M12 Whl. Bolts)  
 Hub Assembly ..... SP550200[2]<sup>40</sup>  
 2000-1997 F150 (Rr. Whl. ABS)(5 Mtg. Holes)(M12 Whl. Bolts)  
 Hub Assembly ..... 515017[2]  
 1996-1995  
 Seal (Inner) ..... 710430[2]  
 Set (Inner) ..... SET37[2]  
 Set (Outer) ..... SET45[2]  
 1994-1990 (From 6/1988)  
 Seal (Inner) ..... 4250[2]  
 Set (Inner) ..... SET37[2]  
 Set (Outer) ..... SET45[2]

## REAR WHEEL

2006-1990 E100, E150  
 Seal ..... 8835S[2]  
 Cylindrical Bearing ..... 6408[2]  
 Kit ..... TRP1559TV[2]<sup>19</sup>  
 2004-2001 F150 (9.75" R.G.)  
 Seal Viton ..... 100357[2]  
 Cylindrical Bearing ..... DB69881[2]<sup>25</sup>  
 2004-1990 F100, F150 (8.8" R.G.)(Sterling Axle)  
 Seal ..... 8835S[2]  
 Cylindrical Bearing ..... 6408[2]  
 Kit ..... TRP1559TV[2]<sup>19</sup>

## 4WD FRONT AXLE

### Axle Shaft

2002-1997 (8.8" R.G.)  
 Needle Bearing (Inner) ..... HK4012  
 Needle Bearing (Outer) ..... FC66998  
 1996-1990 (Dana/Spicer 44 IFS axle)  
 Seal (LH) ..... 710043  
 Seal (RH) ..... 470672  
 Cylindrical Bearing (RH) ..... 5707

### Differential Rebuild Kit

2005-1997 (8.8" R.G.)  
 Kit ..... DRK311F  
 1997-1990 (Dana/Spicer 44 Ser. axle)  
 Kit ..... DRK339B

### Differential

2005-2003 (8.8" R.G.)  
 Cone/Cup ..... LM603049-LM603019[2]  
 2003-1997 (8.8" R.G.)  
 Set ..... SET36[2]  
 1997-1990 (Dana/Spicer 44 Ser. axle)  
 Cone/Cup ..... 25590-25523[2]

### Pinion

2005-1997 (8.8" R.G.)  
 Cone/Cup (Inner) ..... M802048-M802011  
 Seal Viton (Outer) ..... 3604  
 Cone/Cup (Outer) ..... M88048-M88010  
 Kwik Slv (Opt Rpr) ..... KWK99181  
 1997-1990 (Dana/Spicer 44 Ser. axle)  
 Cone/Cup (Inner) ..... HM88649-HM88610  
 Seal (Outer) ..... 5778  
 Cone/Cup (Outer) ..... 02872-02820

### Spindle Kit

1997-1990  
 Bearing & Seal Kit ..... SBK4<sup>36</sup>

### Spindle

2002-1997 (8.8" R.G.)  
 Needle Bearing ..... HK1816[2]  
 1996-1993 (Dana/Spicer 28IFS, 35IFS axle)  
 Seal (Inner) ..... 710453  
 Needle Bearing (Inner) ..... B2110  
 Seal (Outer) ..... 722108  
 Needle Bearing Thrust ..... NTA1625  
 1992-1990  
 Seal (Inner) ..... 722108  
 Needle Bearing (Inner) ..... B2110  
 Seal (Outer) ..... 722109

## REAR AXLE

### Axle Shaft

2002 (8.8" R.G.)  
 Needle Bearing ..... FC66998[2]

**REAR AXLE**

**Differential Rebuild Kit**

<b>2004-2000</b>	(9.75" R.G.)	
Kit	.....	DRK316A
<b>1999-1997</b>	(9.75" R.G.)	
Kit	.....	DRK316
<b>1999-1990</b>	(8.8" R.G.)	
Kit	.....	DRK311

**Differential**

<b>2005-2004</b>	(10.25" R.G.)	
Cone/Cup	.....	469-453X[2]
<b>2005-1997</b>	(9.75" R.G.)	
Cone/Cup	.....	NP343847-NP372019[2]
<b>2005-1990</b>	(8.8" R.G.)	
Set	.....	SET36[2]

**Pinion**

<b>2005</b>	(8.8" R.G.)	
Cone/Cup (Inner)	.....	M802048-M802011
Seal Viton (Outer)	.....	3604
Cone/Cup (Outer)	.....	M88048-M88010
<b>2005-2004</b>	(10.25" R.G.)	
Cone/Cup (Inner)	.....	NP504493-NP949481
Cone/Cup (Outer)	.....	HM89443-HM89411
<b>2005-2000</b>	(9.75" R.G.)	
Cone/Cup (Inner)	.....	NP576375-NP434567
Seal Viton (Outer)	.....	4278
Cone/Cup (Outer)	.....	HM89443-HM89411
<b>2004</b>	(8.8" R.G.)(Locking)	
Cone/Cup (Inner)	.....	M802048-M802011
Seal Viton (Outer)	.....	3604
Cone/Cup (Outer)	.....	M88048-M88010
<b>2004</b>	(8.8" R.G.)(Non-Locking)	
Cone/Cup (Inner)	.....	NP576375-NP434567
Seal Viton (Outer)	.....	3604
Cone/Cup (Outer)	.....	M88048-M88010
<b>2003-1997</b>	(8.8" R.G.)	
Cone/Cup (Inner)	.....	M802048-M802011
Seal Viton (Outer)	.....	3604
Cone/Cup (Outer)	.....	M88048-M88010
<b>1999-1997</b>	(9.75" R.G.)	
Cone/Cup (Inner)	.....	NP576375-NP434567
Seal Viton (Outer)	.....	3604
Cone/Cup (Outer)	.....	M88048-M88010
<b>1999-1990</b>	(8.8" R.G.)	
Cone/Cup (Inner)	.....	M802048-M802011
Seal Viton (Outer)	.....	3604
Cone/Cup (Outer)	.....	M88048-M88010

**TRANSFER CASE REBUILD KIT**

<b>2002-1996</b>	(Warner 4406)	
Kit	.....	TCRK4406
<b>1997-1990</b>	(Warner 1356)	
Kit	.....	TCRK1356
<b>1991-1990</b>	(Warner 1345)	
Kit	.....	TCRK1345

**TRANSFER CASE**

**Input Shaft**

<b>2002</b>	(Warner 4416)	
Needle Bearing Pilot	.....	BK3026
<b>2002-1996</b>	(Warner 4406)	
Ball Bearing	.....	211TB
Needle Bearing Pilot	.....	BK3026
<b>1996-1990</b>	(Warner 1356)	
Seal	.....	714503
Ball Bearing	.....	110CB
Needle Bearing Pilot	.....	BK3026
<b>1990</b>	(Warner 1345)	
Seal	.....	710062
Kwik Slv (Opt Rpr)	.....	KWK99175

**Front Output Shaft**

<b>2003</b>	(Warner)	
Seal	.....	4503N
<b>2002-1996</b>	(Warner)	
Seal	.....	4333N
Ball Bearing	.....	208
<b>1996-1990</b>	(Warner 1356)	
Seal	.....	714503
Ball Bearing	.....	110CB
Needle Bearing Pilot	.....	BK3026
<b>1990</b>	(Warner 1345)	
Seal	.....	710062
Ball Bearing	.....	207
Kwik Slv (Opt Rpr)	.....	KWK99187

**Rear Output Shaft**

<b>2002-1996</b>	(Warner 4406, 4416)	
Seal	.....	4503N
Ball Bearing	.....	207
<b>1996-1990</b>	(Warner 1356)(slip yoke)	
Seal	.....	4503N
Ball Bearing	.....	207
<b>1996-1990</b>	(Warner)(fixed yoke)	
Seal	.....	4333N
Ball Bearing	.....	207
<b>1990</b>	(Warner 1345)	
Seal	.....	3946
Ball Bearing	.....	207
Kwik Slv (Opt Rpr)	.....	KWK99187
Needle Bearing Pilot	.....	B2812

**Selector Shaft Seal/Man. Shaft**

<b>2002-1990</b>	(Warner)	
Seal	.....	330385

**TRANSMISSION REBUILD KIT**

<b>2001-1990</b>	(Mazda M5R2)	
Kit	.....	TRK248
<b>1996-1990</b>	(ZF S5 42)	
Kit	.....	TRK300ZF

# Bearings and Seals

Mfg./Year    Model & Location    Part No    Mfg./Year    Model & Location    Part No

---

**FORD TRUCK - 1/2 TON - Econoline, E150, F150, Parcel Delivery, Pickup (cont.)**

---

## 3-SPEED AUTOMATIC TRANSMISSION

### Torque Converter

1990 (C4, C5, C6)  
 Seal ..... 331107N  
 Kwik Slv (Opt Rpr) .....KWK99199

### Rear Seal/Ext. Housing

1990 (C6)  
 Seal ..... 410308

### Selector Shaft Seal/Man. Shaft

1990 (C6)  
 Seal ..... 7929S

## 4-SPEED AUTOMATIC TRANSMISSION

### Torque Converter

2002-1990 (AODE E, E4OD, 4R70W, AODEW)  
 Seal ..... 3404  
 1993-1990 (AOT, AOD)  
 Seal ..... 331107N  
 Kwik Slv (Opt Rpr) .....KWK99199

### Rear Seal/Ext. Housing

2002-1994 (4R70W, AODEE, AODEW)  
 Seal ..... 4765  
 1999-1990 (E4OD)  
 Seal ..... 7300S  
 Seal Kit ..... 5203<sup>64</sup>  
 1993-1990 (AOT, AOD)(long boot)  
 Seal ..... 7692S  
 Seal Kit ..... 5202<sup>64</sup>

### Selector Shaft Seal/Man. Shaft

2002-1990  
 Seal ..... 7929S

## CLUTCH - 6 CYLINDER

### Pilot Bearing

2002-1990 170/2.8L, 240/3.9L, 232/3.8L, 265/4.2L, 300/4.9L  
 Needle Bearing ..... FC65662

## CLUTCH - 8 CYLINDER

### Pilot Bearing

2002-1990 281/4.6L, 302/5.0L, 351/5.8L (M)(W)  
 Needle Bearing ..... FC65662

## CLUTCH

### Release Bearing

1999-1993 (5 Spd.)(Hyd. piston type)  
 Bearing Assembly ..... 614169  
 1992-1990 (5 Spd.)(Hyd. piston type)  
 Bearing Assembly ..... 614061  
 1992-1990 (4 Spd.)(cable mechanism)  
 Bearing Assembly ..... 614014

## 4-SPEED MANUAL TRANSMISSION

### Input Shaft

1993-1990 (Warner T18)  
 Seal ..... 7412S  
 Ball Bearing ..... 308LTB  
 Kwik Slv (Opt Rpr) .....KWK99125  
 1990 (Tremec)  
 Seal ..... 3638  
 Ball Bearing ..... 308LTB  
 Kwik Slv (Opt Rpr) .....KWK99112

### Rear Output Shaft

1993-1990 (Warner T18)(28 spline)  
 Seal ..... 7692S  
 Ball Bearing ..... 308LI  
 Seal Kit ..... 5202<sup>64</sup>  
 1990 (Tremec)(2nd design)  
 Seal ..... 7692S  
 Ball Bearing ..... 308L  
 Seal Kit ..... 5202<sup>64</sup>

### Selector Shaft Seal/Man. Shaft

1990 (Tremec)  
 Seal ..... 313156

## 5-SPEED MANUAL TRANSMISSION

### Front Input Shaft

2001-1990 Mazda  
 Seal ..... 223012  
 Kwik Slv (Opt Rpr) .....KWK99114  
 2000-1990 (ZF S5 42)  
 Seal Viton ..... 713771  
 Cone/Cup ..... 28580-28521  
 Kwik Slv (Opt Rpr) .....KWK99139

### Front Input Shaft Pocket

2000-1990 (ZF S5 42)  
 Cone ..... JH13349

### Countershaft

2000-1990 (ZF S5 42)  
 Cone/Cup ..... 2580-2520[2]

### Rear Output Shaft

2001-1990 Mazda  
 Seal ..... 710415  
 2000-1990 (ZF S5 42)(2WD)  
 Seal ..... 225010  
 Cone/Cup ..... J28573-28521  
 2000-1990 (ZF S5 42)(4WD)  
 Seal ..... 1217  
 Cone/Cup ..... J28573-28521

## A/C COMPRESSOR

2002-1990 (Nippondenso FX 15)(Tecumseh, York)(axial)  
 Ball Bearing ..... 5106WCC

Mfg./Year    Model & Location    Part No    Mfg./Year    Model & Location    Part No

---

**FORD TRUCK - 1/2 TON - Econoline, E150, F150, Parcel Delivery, Pickup (cont.)**

---

**DRIVESHAFT SUPPORT**

<b>1995-1993</b>	F150	
Ball Bearing .....		88107
Hanger Brg Assy .....		HB88107A
<b>1992-1990</b>	(Spicer 1280, 1310)(1.3780" Brg. I.D.)	
Ball Bearing .....		88107
Hanger Brg Assy .....		HB88107A

**POWER STEERING**

**Pump Shaft**

<b>1998-1990</b>	(Ford pump)	
Seal .....		8773S
<b>1997-1990</b>	(Saginaw pump)	
Seal .....		7013S

**MANUAL STEERING**

**Worm Shaft**

<b>1998-1990</b>		
Seal .....		221922

**CRANKSHAFT FRONT SEAL**

**6 Cylinder**

<b>2002-1990</b>	232/3.8L, 256/4.2L, 300/4.9L	
Seal (Frt Entry) .....		2692
Seal (Rr Entry) .....		2942
Kwik Slv (Opt Rpr) .....		KWK99187
Harmonic Balancer Slv .....		88187

**8 Cylinder**

<b>2002-1997</b>	281/4.6L, 330/5.4L	
Seal .....		482041N
Kwik Slv (Opt Rpr) .....		KWK99187
Harmonic Balancer Slv .....		88187

**CRANKSHAFT FRONT SEAL (cont.)**

**8 Cylinder (cont.)**

<b>1996-1990</b>	255/4.2L, 302/5.0L, 351/5.8L, 352/5.8L, 360/5.9L, 390/6.4L, 400/6.6L, 460/7.5L	
Seal (Frt Entry) .....		2692
Seal (Rr Entry) .....		2942
Kwik Slv (Opt Rpr) .....		KWK99187
Harmonic Balancer Slv .....		88187

**CRANKSHAFT REAR SEAL**

**6 Cylinder**

<b>2003-1997</b>	256/4.2L	
Seal Viton .....		3909
Seal PTFE H/D Opt .....		5277
Kwik Slv (Opt Rpr) .....		KWK99363
<b>1996-1990</b>	240/3.9, 300/4.9L	
Seal Viton .....		2377
Seal PTFE H/D Opt .....		5278
Kwik Slv (Opt Rpr) .....		KWK99372

**8 Cylinder**

<b>2003-1990</b>	281/4.6L, 302/5.0L, 330/5.4L	
Seal Viton .....		3909
Seal PTFE H/D Opt .....		5277
Kwik Slv (Opt Rpr) .....		KWK99363
<b>2001-1990</b>	302/5.0L From 12/82	
Seal Viton .....		3909
Seal PTFE H/D Opt .....		5277
Kwik Slv (Opt Rpr) .....		KWK99363
<b>1996-1990</b>	351/5.8L (W) From 7/10/83	
Seal Viton .....		2377
Seal PTFE H/D Opt .....		5278
Kwik Slv (Opt Rpr) .....		KWK99372

---

**FORD TRUCK - 3/4 TON - Econoline, E250, F250, Parcel Delivery, Pickup**

---

**FRONT WHEEL**

**2WD**

<b>2005-1990</b>	E250 Econoline (From 11/4/1980)	
Seal (Inner) .....		4160[2]
Set (Inner) .....		SET47[2]
Cone/Cup (Outer) .....		15101-15245[2]
<b>2004-1999</b>	F250 Super Duty (SRW)(From 3/22/99)	
Seal (Inner) .....		4160[2]
Set (Inner) .....		SET47[2]
Cone/Cup (Outer) .....		15101-15245[2]
<b>1998-1990</b>	F250 (H/D)(GVW over 8,500 lb.)	
Seal (Inner) .....		4160[2]
Set (Inner) .....		SET47[2]
Cone/Cup (Outer) .....		15101-15245[2]

**FRONT WHEEL (cont.)**

**2WD (cont.)**

<b>1998-1990</b>	F250 (L/D)	
Seal (Inner) .....		4148[2]
Cone/Cup (Inner) .....		JL69349P-JL69310P[2]
Set (Outer) .....		SET12FP[2] <sup>60</sup>
Cone/Cup (Outer) Opt .....		LM12749FP-LM12710P[2]

**4WD/AWD**

<b>2004-1999</b>	F250 Super Duty (4 Whl. ABS)(DRW)(From 3/22/99)	
Hub Assembly .....		515025[2]
<b>2004-1999</b>	F250 Super Duty (4 Whl. ABS)(SRW)(Coarse Thread Studs)(From 3/22/99)	
Hub Assembly .....		515020[2]
<b>2004-1999</b>	F250 Super Duty (4 Whl. ABS)(SRW)(Fine Thread Studs)(From 3/22/99)	
Hub Assembly .....		SP450105[2]

<sup>60</sup>O.E. Polymer Cage, Customized For Performance

# Bearings and Seals

Mfg./Year	Model & Location	Part No	Mfg./Year	Model & Location	Part No
<b>FORD TRUCK - 3/4 TON - Econoline, E250, F250, Parcel Delivery, Pickup</b>					
<b>(cont.)</b>					

## FRONT WHEEL (cont.)

### 4WD/AWD (cont.)

<b>2004-1999</b>	F250 Super Duty (Rr. Whl. ABS)(SRW)(From 3/22/99)	
	Hub Assembly	515021[2]
<b>1999</b>	F250 Super Duty (4 Whl. ABS)(DRW)(Coarse Thread Studs)(To 3/21/99)	
	Hub Assembly	HA590425[2]
<b>1999</b>	F250 Super Duty (Rr. Whl. ABS)(SRW)(Coarse Thread Studs)(To 3/21/99)	
	Hub Assembly	HA590132[2] <sup>25</sup>
<b>1999-1997</b>	F250 (4 Whl. ABS)(L/D)(Thru 3/21/99)	
	Hub Assembly	515030[2]
<b>1999-1997</b>	F250 (L/D)(Rr. Whl. ABS)(Thru 3/21/99)	
	Hub Assembly	515022[2]
<b>1998-1995</b>	(Dana/Spicer 44IFS)(H/D, GVW over 8,500 lb.)	
	Seal (Inner)	710430[2]
	Cone/Cup (Inner)	LM104949-JLM104910[2]
	Set (Outer)	SET45[2]
<b>1998-1990</b>	(Dana/Spicer 50, 60 Ser. Axle)	
	Seal (Inner)	415960[2]
	Cone/Cup (Inner)	387A-382A[2]
	Set (Outer)	SET38[2]
<b>1994-1990</b>	(Dana/Spicer 44 Ser. Axle)	
	Seal (Inner)	4250[2]
	Cone/Cup (Inner)	LM104949-JLM104910[2]
	Set (Outer)	SET45[2]

## REAR WHEEL

<b>2005-1990</b>	E250 Econoline (Spicer 60, 61, 70)(Full Floating Axle)	
	Seal (Inner)	9864S[2]
	Cone/Cup (Inner)	387AS-382A[2]
	Set (Outer)	SET38[2]
<b>2005-1990</b>	E250 Econoline (Semi Floating Axle)(10.25" R.G.)	
	Seal	710067[2]
	Cylindrical Bearing	R1561TV[2]
	Kit	TF01561R[2] <sup>19</sup>
<b>2004-1999</b>	F250 Super Duty (10.25" R.G.)	
	Cone/Cup (Inner)	NP114036-NP064306[2]
	Set (Outer)	SET38[2]
<b>1998</b>	F250 (Full Floating Axle)(10.25" R.G.)(From 1/1998)	
	Seal (Inner)	370047A[2] <sup>57</sup>
	Cone/Cup (Inner)	3992-3920[2]
	Set (Outer)	SET38[2]
<b>1998-1990</b>	E250 Econoline (Full Floating Axle)(10.25" R.G.)	
	Seal (Inner)	370047A[2] <sup>57</sup>
	Cone/Cup (Inner)	3994-3920[2]
	Set (Outer)	SET38[2]

## REAR WHEEL (cont.)

<b>1998-1990</b>	F250 (Spicer 60, 61, 70)(Full Floating Axle)	
	Seal (Inner)	9864S[2]
	Cone/Cup (Inner)	387AS-382A[2]
	Set (Outer)	SET38[2]
<b>1998-1990</b>	F250 (Semi Floating Axle)(10.25" R.G.)	
	Seal	710067[2]
	Cylindrical Bearing	R1561TV[2]
	Kit	TF01561R[2] <sup>19</sup>
<b>1997-1994</b>	F250 (Full Floating Axle)(10.25" R.G.)(From 4/1994)	
	Seal (Inner)	370047A[2] <sup>57</sup>
	Cone/Cup (Inner)	3992-3920[2]
	Set (Outer)	SET38[2]
<b>1994-1990</b>	F250 (Full Floating Axle)(10.25" R.G.)(Thru 3/1994)	
	Seal (Inner)	370047A[2] <sup>57</sup>
	Cone/Cup (Inner)	3994-3920[2]
	Set (Outer)	SET38[2]

## FRONT AXLE

### Spindle Kit

<b>1998-1990</b>	(Spicer 44 IFS)(second design)	
	Bearing & Seal Kit	SBK4 <sup>36</sup>
<b>1995-1993</b>	(Spicer 50.5)	
	Bearing & Seal Kit	SBK5 <sup>37</sup>
<b>1992-1990</b>	(Spicer 50.5)	
	Bearing & Seal Kit	SBK3 <sup>35</sup>

### Spindle

<b>2002-1999</b>	(Spicer 50.5)	
	Seal (Inner)	710413
	Needle Bearing (Inner)	B2414
<b>1995-1993</b>	(Spicer 50.5)	
	Seal (Inner)	710413
	Needle Bearing (Inner)	B2414
	Seal (Outer)	710414
<b>1992-1990</b>	(Spicer 50.5)	
	Seal (Inner)	710044
	Needle Bearing (Inner)	B2414
	Seal (Outer)	710045

## 4WD FRONT AXLE

### Axle Shaft

<b>2002-1997</b>		
	Needle Bearing (Inner)	HK4012
	Needle Bearing (Outer)	FC66998
<b>1997-1990</b>	(Dana/Spicer 44 Ser., 50 Ser. axle)	
	Seal (LH)	710043
	Seal (RH)	470672
	Cylindrical Bearing (RH)	5707

Mfg./Year	Model & Location	Part No	Mfg./Year	Model & Location	Part No
<b>FORD TRUCK - 3/4 TON - Econoline, E250, F250, Parcel Delivery, Pickup</b>					
<b>(cont.)</b>					

**4WD FRONT AXLE**

**Differential Rebuild Kit**

- 2004-1998 (Dana/Spicer 50 Ser. axle)  
Kit ..... DRK336A <sup>25</sup>
- 1997-1990 (Dana/Spicer 50 Ser. axle)  
Kit ..... DRK336
- 1997-1990 (Dana/Spicer 44 Ser. axle)  
Kit ..... DRK339B

**Differential**

- 2005-2002 (Dana/Spicer 60 axle)  
Cone/Cup ..... 387A-382S[2]
- 2005-1996 (Dana/Spicer 50 Ser. axle)  
Cone/Cup ..... JLM104948-LM104911A[2]
- 1998-1990 (Dana/Spicer 44 Ser. axle)  
Cone/Cup ..... 25590-25523[2]
- 1995-1990 (Dana/Spicer 50 Ser. axle)  
Cone/Cup ..... JLM104948-LM104911A[2]

**Pinion**

- 2004-1999 (Dana/Spicer 50 Ser. axle)  
Cone/Cup (Inner) ..... HM88649-HM88610  
Seal (Outer) ..... 2506  
Cone/Cup (Outer) ..... 02872-02820
- 1998-1990 (Dana/Spicer 50 Ser. axle)  
Cone/Cup (Inner) ..... HM88649-HM88610  
Seal (Outer) ..... 5778  
Cone/Cup (Outer) ..... 02872-02820
- 1996-1990 (Dana/Spicer 44 Ser. axle)  
Cone/Cup (Inner) ..... 31594-31520  
Seal (Outer) ..... 5778  
Cone/Cup (Outer) ..... 02872-02820

**Spindle Kit**

- 1998-1990 (Dana/Spicer 44 Ser. axle)  
Bearing & Seal Kit ..... SBK4 <sup>36</sup>
- 1998-1990 (Dana/Spicer 50 Ser. axle)  
Bearing & Seal Kit ..... SBK3 <sup>35</sup>

**Spindle**

- 1998-1990 (Dana/Spicer 50 Ser. axle)  
Seal (Inner) ..... 710044  
Needle Bearing (Inner) ..... B2414  
Seal (Outer) ..... 710045
- 1998-1990 (Dana/Spicer 44 Ser. axle from  
Ch. #B50000)  
Seal (Inner) ..... 722108  
Needle Bearing (Inner) ..... B2110  
Seal (Outer) ..... 722109

**Steering Knuckle**

- 1997-1990 (Dana/Spicer 50 Ser. axle)  
Seal ..... 710304[2]  
Cone/Cup ..... 23100-23256[2]

**REAR AXLE**

**Differential Rebuild Kit**

- 2005-1999 (10.5" R.G.)  
Kit ..... DRK317
- 1998-1990 (10.25" R.G.)  
Kit ..... DRK314
- 1998-1990 (Dana/Spicer 60, 61 Ser. axle)  
Kit ..... DRK331

**Differential**

- 2005-1990 (10.25", 10,5" R.G.)  
Cone/Cup ..... 469-453X[2]
- 1999 (Dana/Spicer 60 1U axle)  
Cone/Cup ..... NP197868-NP802507[2]
- 1998-1990 (Dana/Spicer 60, 61, 70 Ser.  
axle)  
Cone/Cup ..... 387A-382S[2]

**Pinion**

- 2005-1999 (10.5" R.G.)  
Cone/Cup (Inner) ..... NP504493-NP949481  
Seal Viton (Outer) ..... 4278  
Cone/Cup (Outer) ..... HM89443-HM89411  
Kwik Slv (Opt Rpr) ..... KWK99181
- 1998 (10.5" R.G.)(Prod. from 1/98  
on)  
Cone/Cup (Inner) ..... HM807044-HM807010  
Seal Viton (Outer) ..... 4278  
Cone/Cup (Outer) ..... HM89443-HM89411
- 1998-1990 (Dana/Spicer 60 1U axle)  
Cone/Cup (Inner) ..... HM803146-HM803110  
Seal Viton (Outer) ..... 719316  
Cone/Cup (Outer) ..... HM88542-HM88510

**TRANSFER CASE REBUILD KIT**

- 1998-1990 (Warner 1356)  
Kit ..... TCRK1356
- 1991-1990 (Warner 1345)  
Kit ..... TCRK1345

**TRANSFER CASE**

**Input Shaft**

- 2002-1999 (New Process)  
Ball Bearing ..... 211TB
- 1999-1996 (Warner 4407)  
Seal ..... 4333N  
Ball Bearing ..... 211TB  
Needle Bearing Pilot ..... BK3026
- 1998-1990 (Warner 1356)  
Seal ..... 714503  
Ball Bearing ..... 110CB  
Needle Bearing Pilot ..... BK3026
- 1997-1996 (Warner 4406)  
Ball Bearing ..... 211TB  
Needle Bearing Pilot ..... BK3026
- 1990 (Warner 1345)  
Seal ..... 710062  
Kwik Slv (Opt Rpr) ..... KWK99175



# Bearings and Seals

Mfg./Year    Model & Location    Part No    Mfg./Year    Model & Location    Part No

## **FORD TRUCK - 3/4 TON - Econoline, E250, F250, Parcel Delivery, Pickup** *(cont.)*

### **TRANSFER CASE**

#### **Front Output Shaft**

<b>2002-1999</b> (New Process 271, 273)	
Ball Bearing .....	111TB
<b>1999-1996</b> (Warner 4407)	
Ball Bearing (Inner) .....	207
Seal (Outer) .....	4333N
Ball Bearing (Outer) .....	208
Needle Bearing Pilot .....	B2012
<b>1998-1990</b> (Warner 1356)	
Seal .....	714503
Ball Bearing .....	207
Needle Bearing Pilot .....	B2012
<b>1997-1996</b> (Warner 4406)	
Seal .....	4333N
Ball Bearing .....	208
<b>1990</b> (Warner 1345)	
Seal .....	3946
Ball Bearing .....	207
Kwik Slv (Opt Rpr) .....	KWK99187
Needle Bearing Pilot .....	B2012

#### **Rear Output Shaft**

<b>1999-1996</b> (Warner 4407)	
Seal .....	4503N
Ball Bearing .....	308WB
Needle Bearing Thrust .....	NTA2233
<b>1998-1990</b> (Warner 1356)(fixed yoke)	
Seal .....	4333N
Ball Bearing .....	207
<b>1998-1990</b> (Warner 1356)(slip yoke)	
Seal .....	4503N
Ball Bearing .....	207
<b>1997-1996</b> (Warner 4406)	
Seal .....	4503N
Ball Bearing .....	207
Needle Bearing Thrust .....	NTA2233
<b>1990</b> (Warner 1345)	
Seal .....	3946
Ball Bearing .....	207
Kwik Slv (Opt Rpr) .....	KWK99187
Needle Bearing Pilot .....	B2812

#### **Intermediate Shaft**

<b>1999-1996</b> (Warner)	
Ball Bearing .....	210S

#### **Selector Shaft Seal/Man. Shaft**

<b>1999-1990</b> (Warner)	
Seal .....	330385
Kwik Slv (Opt Rpr) .....	KWK99225

### **TRANSMISSION REBUILD KIT**

<b>2002-1999</b> (ZF S6 650)	
Kit .....	TRKS6650ZF
<b>2002-1990</b> (ZF S5 42, S5 47)	
Kit .....	TRK300ZFI

### **3-SPEED AUTOMATIC TRANSMISSION**

#### **Torque Converter**

<b>1990</b> (C4, C5, C6)	
Seal .....	331107N
Kwik Slv (Opt Rpr) .....	KWK99199

#### **Rear Seal/Ext. Housing**

<b>1990</b> (C6)	
Seal .....	410308

#### **Selector Shaft Seal/Man. Shaft**

<b>1990</b> (C6)	
Seal .....	7929S

### **4-SPEED AUTOMATIC TRANSMISSION**

#### **Torque Converter**

<b>2002-1990</b> (4R70W, AODEW, E4OD)	
Seal .....	3404
<b>1993-1990</b> (AOT, AOD)	
Seal .....	331107N
Kwik Slv (Opt Rpr) .....	KWK99199

#### **Rear Seal/Ext. Housing**

<b>2002-1994</b> (4R70W, AODE)	
Seal .....	4765
<b>2000-1990</b> (E4OD)	
Seal .....	7300S
Seal Kit .....	5203 <sup>64</sup>
<b>1993-1990</b> (AOT, AOD)(long boot)	
Seal .....	7692S
Seal Kit .....	5202 <sup>64</sup>

#### **Selector Shaft Seal/Man. Shaft**

<b>2002-1990</b>	
Seal .....	7929S

### **CLUTCH - 6 CYLINDER**

#### **Pilot Bearing**

<b>1996-1990</b> 6 Cyl. 300 (4.9)	
Needle Bearing .....	FC65662

### **CLUTCH**

#### **Pilot Bearing**

<b>2002-1990</b> 8 Cyl. 444 (7.3)(Diesel)	
Needle Bearing .....	FC65662
<b>1997-1990</b> 8 Cyl. 460 (7.5)	
Needle Bearing .....	FC66067
<b>1997-1990</b> 8 Cyl. 302 (5.0)	
Needle Bearing .....	FC65662
<b>1997-1990</b> 8 Cyl. 351 (5.8)	
Needle Bearing .....	FC65662

**CLUTCH**

**Release Bearing**

<b>1998-1993</b>	8 Cyl. 302 (5.0)(5 Spd.)(Hyd. Mechanism)	
	Bearing Assembly	614169
<b>1998-1993</b>	8 Cyl. 351 (5.8)(5 Spd.)(Hyd. Mechanism)	
	Bearing Assembly	614169
<b>1997-1990</b>	8 Cyl. 444 (7.3)(Diesel)	
	Bearing Assembly	614062
<b>1997-1990</b>	8 Cyl. 420 (6.9)(Diesel)(5 Spd.)	
	Bearing Assembly	614062
<b>1997-1990</b>	8 Cyl. 460 (7.5)(5 Spd.)	
	Bearing Assembly	614062
<b>1993-1990</b>	6 Cyl. 300 (4.9)(4 Spd.)(mechanical mechanism)	
	Bearing Assembly	614014
<b>1993-1990</b>	8 Cyl. 302 (5.0)(4 Spd.)(mechanical mechanism)	
	Bearing Assembly	614014
<b>1993-1990</b>	8 Cyl. 351 (5.8)(4 Spd.)(mechanical mechanism)	
	Bearing Assembly	614014
<b>1993-1990</b>	8 Cyl. 460 (7.5)(4 Spd.)	
	Bearing Assembly	614014
<b>1992-1990</b>	8 Cyl. 302 (5.0)(5 Spd.)(Hyd. Mechanism)	
	Bearing Assembly	614061
<b>1992-1990</b>	8 Cyl. 351 (5.8)(5 Spd.)(Hyd. Mechanism)	
	Bearing Assembly	614061
<b>1991-1990</b>	6 Cyl. 300 (4.9)(5 Spd.)(Hyd. mechanism)	
	Bearing Assembly	614061
	Bearing Assembly	614169

**4-SPEED MANUAL TRANSMISSION**

**Input Shaft**

<b>1993-1990</b>	(Warner T18)	
	Seal	7412S
	Ball Bearing	308LTB
	Kwik Slv (Opt Rpr)	KWK99125
<b>1990</b>	(Tremec)	
	Seal	3638
	Ball Bearing	308LTB
	Kwik Slv (Opt Rpr)	KWK99112

**Rear Output Shaft**

<b>1993-1990</b>	(Warner T18)(28 spline)	
	Seal	7692S
	Ball Bearing	308LI
	Seal Kit	5202 <sup>64</sup>
<b>1990</b>	(Tremec)(2nd design)	
	Seal	7692S
	Ball Bearing	308L
	Seal Kit	5202 <sup>64</sup>

**4-SPEED MANUAL TRANSMISSION**

**Selector Shaft Seal/Man. Shaft**

<b>1990</b>	(Tremec)	
	Seal	313156

**5-SPEED MANUAL TRANSMISSION**

**Transmission Rebuild Kit**

<b>2004-1996</b>	(ZF S5 47)	
	Kit	TRK300ZF
<b>1995-1990</b>	(ZF S5 42)	
	Kit	TRK300ZF

**Front Input Shaft**

<b>2004-1990</b>	(ZF S5 47)	
	Seal Viton	713771
	Cone/Cup	28580-28521
	Kwik Slv (Opt Rpr)	KWK99139
<b>2002-1990</b>	(ZF S5 42)	
	Seal Viton	713771
	Cone/Cup	28580-28521
	Kwik Slv (Opt Rpr)	KWK99139
<b>1999-1990</b>	Mazda	
	Seal	223012
	Kwik Slv (Opt Rpr)	KWK99114

**Front Input Shaft Pocket**

<b>2004-1990</b>	(ZF S5 47)	
	Cone	JH13349
<b>2002-1990</b>	(ZF S5 42)	
	Cone	JH13349

**Countershaft**

<b>2004-1990</b>	(ZF S5 47)	
	Cone/Cup	2580-2520[2]
<b>2002-1990</b>	(ZF S5 42)	
	Cone/Cup	2580-2520[2]

**Rear Output Shaft**

<b>2004-1990</b>	(ZF S5 47)(2WD)	
	Seal	225010
	Cone/Cup	J28573-28521
<b>2004-1990</b>	(ZF S5 47)(4WD)	
	Seal	1217
	Cone/Cup	J28573-28521
<b>2002-1990</b>	(ZF S5 42)(2WD)	
	Seal	225010
	Cone/Cup	J28573-28521
<b>2002-1990</b>	(ZF S5 42)(4WD)	
	Seal	1217
	Cone/Cup	J28573-28521
<b>2001-1990</b>	Mazda	
	Seal	710415

<sup>64</sup>Opt. Seal & Bushing Kit

# Bearings and Seals

Mfg./Year	Model & Location	Part No	Mfg./Year	Model & Location	Part No
<b>FORD TRUCK - 3/4 TON - Econoline, E250, F250, Parcel Delivery, Pickup</b>					
<b>(cont.)</b>					

## 6-SPEED MANUAL TRANSMISSION

### Transmission Rebuild Kit

2004-1999 (ZF S6 650)	
Kit	TRKS6650ZF

### Front Input Shaft

2004-1999 (ZF S6 650)	
Cone/Cup	NP007430-NP423135

### Front Input Shaft Pocket

2004-1999 (ZF S6 650)	
Cone	JH13349

### Main Shaft

2004-1999 (ZF S6 650)	
Cone/Cup	NP957859-NP771105

### Center Counter Shaft

2004-1999 (ZF S6 650)	
Cone/Cup	NP043905-NP547779[2]

### Rear Output Shaft

2004-1999 (ZF S6 650)(2WD)	
Seal	225010
Cone/Cup	J28573-28521
2004-1999 (ZF S6 650)(4WD)	
Seal	1217
Cone/Cup	J28573-28521

## A/C COMPRESSOR

2002-1990 (Nippondenso FX 15)(axial)	
Ball Bearing	5106WCC
1996-1990 (Sanden SD 709)(axial)	
Ball Bearing	5001KFF
1993-1990 (Ford FS6)(axial)	
Ball Bearing	5000KFF

## DRIVESHAFT SUPPORT

1996-1993 (Spicer 1480)(1.5748" 40mm Brg. I.D.)	
Hanger Brg Assy	HB88508AA
1992-1990 (Spicer 1410)(1.5748" 40mm Brg. I.D. 2.25" height)	
Hanger Brg Assy	HB88508A
1992-1990 (Spicer 1260, 1280, 1310, 1410, 1480)(1.3780 Brg. I.D.)	
Ball Bearing	88107
Hanger Brg Assy	HB88107A

## POWER STEERING

### Pump Shaft

1997-1990 (Saginaw pump)	
Seal	7013S
1997-1990 (Ford pump)	
Seal	8773S

## MANUAL STEERING

### Worm Shaft

1998-1990	
Seal	221922

## CRANKSHAFT FRONT SEAL

### 6 Cylinder

2002-1990 256/4.2L, 300/4.9L	
Seal (Frt Entry)	2692
Seal (Rr Entry)	2942
Kwik Slv (Opt Rpr)	KWK99187

### 8 Cylinder

2002-1997 281/4.6L,330/5.4L	
Seal	482041N
Kwik Slv (Opt Rpr)	KWK99187
2002-1990 420/6.9L, 444/7.3L (Diesel)	
Seal Viton	3894V
Seal	5066 <sup>26</sup>
1998-1990 302/5.0L, 351/5.8L, 352/5.8L, 360/5.9L, 390/6.4L, 400/6.6L, 460/7.5L	
Seal (Frt Entry)	2692
Seal (Rr Entry)	2942
Kwik Slv (Opt Rpr)	KWK99187
Harmonic Balancer Slv	88187

### 10 Cylinder

2000-1997 415/6.8L	
Seal	482041N
Kwik Slv (Opt Rpr)	KWK99187
Harmonic Balancer Slv	88187

## CRANKSHAFT REAR SEAL

### 6 Cylinder

2003-1997 256/4.2L	
Seal	39302
Seal PTFE H/D Opt	5277
Kwik Slv (Opt Rpr)	KWK99363
1998-1990 240/3.9, 300/4.9L	
Seal Viton	2377
Seal PTFE H/D Opt	5278
Kwik Slv (Opt Rpr)	KWK99372

### 8 Cylinder

2003-1990 281/4.6L, 302/5.0L,330/5.4L	
Seal Viton	3909
Seal PTFE H/D Opt	5277
Kwik Slv (Opt Rpr)	KWK99363
2002-1994 444/7.3L (Diesel)	
Seal	5723
1998-1990 351/5.8L	
Seal Viton	2377
Seal PTFE H/D Opt	5278
Kwik Slv (Opt Rpr)	KWK99372
1998-1990 460/7.5L	
Seal Rope	5095
Seal Split Opt	5118

Mfg./Year	Model & Location	Part No	Mfg./Year	Model & Location	Part No
<b>FORD TRUCK - 3/4 TON - Econoline, E250, F250, Parcel Delivery, Pickup</b>					
<b>(cont.)</b>					

**CRANKSHAFT REAR SEAL (cont.)**

**8 Cylinder (cont.)**

1994-1990	420/6.9L, 444/7.3L (Diesel)	
	Seal Viton .....	3893V
	Kwik Slv (Opt Rpr) .....	KWK99372

**CRANKSHAFT REAR SEAL**

**10 Cylinder**

2000-1997	415/6.8L	
	Seal Viton .....	3909
	Seal PTFE H/D Opt .....	5277
	Kwik Slv (Opt Rpr) .....	KWK99363

**FORD TRUCK - 1 TON - Econoline, E350, F350, Motor Home, Parcel Delivery, Pickup, Van**

**FRONT WHEEL**

**2WD**

2006-1990	E350 Econoline (From 11/1980)	
	Seal (Inner) .....	4160[2]
	Set (Inner) .....	SET47[2]
	Cone/Cup (Outer) .....	15101-15245[2]
2005-1990	F350	
	Seal (Inner) .....	4160[2]
	Set (Inner) .....	SET47[2]
	Cone/Cup (Outer) .....	15101-15245[2]

**4WD/AWD**

2004-1999	F350 Super Duty (4 Whl. ABS)(DRW)(From 3/22/99)	
	Hub Assembly .....	515025[2]
2004-1999	F350 Super Duty (4 Whl. ABS)(SRW)(Coarse Thread Studs)(From 3/22/99)	
	Hub Assembly .....	515020[2]
2004-1999	F350 Super Duty (4 Whl. ABS)(SRW)(Fine Thread Studs)(From 3/22/99)	
	Hub Assembly .....	SP450105[2]
2004-1999	F350 Super Duty (Rr. Whl. ABS)(SRW)(From 3/22/99)	
	Hub Assembly .....	515021[2]
1999	F350 Super Duty (4 Whl. ABS)(DRW)(Coarse Thread Studs)(To 3/21/99)	
	Hub Assembly .....	HA590425[2]
1999	F350 Super Duty (Rr. Whl. ABS)(SRW)(Coarse Thread Studs)(To 3/21/99)	
	Hub Assembly .....	HA590132[2] <sup>25</sup>
1997-1990		
	Seal (Inner) .....	415960[2]
	Cone/Cup (Inner) .....	387A-382A[2]
	Set (Outer) .....	SET38[2]

**REAR WHEEL (cont.)**

2005-1999	F350 Super Duty (10.5" R.G.)	
	Seal (Inner) .....	370247A[2]
	Cone/Cup (Inner) .....	NP114036-NP064306[2]
	Set (Outer) .....	SET38[2]
2005-1999	F350 Super Duty (Dana 80 Axle)(11.25" R.G.)(DRW)	
	Seal (Inner) .....	9864S[2]
	Cone/Cup (Inner) .....	33281-33462[2]
	Cone/Cup (Outer) .....	39250-39412[2]
1997-1994	F350 (10.25", 10.5" R.G.)(From 4/1994)	
	Seal (Inner) .....	370047A[2] <sup>57</sup>
	Cone/Cup (Inner) .....	3992-3920[2]
	Set (Outer) .....	SET38[2]
1997-1990	F350 (Spicer 60, 61, 70 Ser. Axle)	
	Seal (Inner) .....	9864S[2]
	Cone/Cup (Inner) .....	387AS-382A[2]
	Set (Outer) .....	SET38[2]
1994-1990	F350 (10.25" R.G.)(Thru 3/1994)	
	Seal (Inner) .....	370047A[2] <sup>57</sup>
	Cone/Cup (Inner) .....	3994-3920[2]
	Set (Outer) .....	SET38[2]
1993-1992	F350 (Spicer 80 Ser. Axle)	
	Seal (Inner) .....	370018A[2] <sup>57</sup>
	Cone/Cup (Inner) .....	39585-39520[2]
	Cone/Cup (Outer) .....	JLM506849-JLM506810[2]

**4WD FRONT AXLE**

**Axle Shaft**

1997-1990	(Spicer 60 axle)	
	Seal .....	470682[2]
1997-1990	(w/o Spicer 60)	
	Seal (Inner) .....	710414
	Seal (Outer) .....	710413

**Differential Rebuild Kit**

2005-2000	(Dana/Spicer 60 Ser. axle)	
	Kit .....	DRK331A <sup>25</sup>
2004-1999	(Dana/Spicer 50 Ser. axle)	
	Kit .....	DRK336A <sup>25</sup>
1999-1990	(Dana/Spicer 60 Ser. axle)	
	Kit .....	DRK331
1997-1990	(Dana/Spicer 50 Ser. axle)	
	Kit .....	DRK336

<sup>25</sup>New Item, Check For Availability      <sup>57</sup>Oil Bath Seal

# Bearings and Seals

Mfg./Year    Model & Location    Part No    Mfg./Year    Model & Location    Part No

## **FORD TRUCK - 1 TON - Econoline, E350, F350, Motor Home, Parcel Delivery, Pickup, Van (cont.)**

### **4WD FRONT AXLE**

#### **Differential**

<b>2005-1990</b>	(Dana/Spicer 60 Ser. monobeam axle)	
Cone/Cup	.....	387A-382S[2]
<b>2004-1990</b>	(Dana/Spicer 50 Ser. axle)	
Cone/Cup	.....	JLM104946-LM104911A[2]
<b>1997-1990</b>	(Dana/Spicer 50 Ser. Indep. axle)	
Cone/Cup	.....	JLM104948-LM104911A[2]

#### **Pinion**

<b>2005-2002</b>	(Dana/Spicer 60 Ser. monobeam axle)	
Cone/Cup (Inner)	.....	HM803146-HM803110
Seal (Outer)	.....	9316
Cone/Cup (Outer)	.....	HM88542-HM88510
<b>2004-1999</b>	(Dana/Spicer 50 Ser. axle)	
Cone/Cup (Inner)	.....	HM88649-HM88610
Seal (Outer)	.....	2506
Cone/Cup (Outer)	.....	02872-02820
Kwik Slv (Opt Rpr)	.....	KWK99155
<b>1997-1990</b>	(Spicer)	
Cone/Cup (Inner)	.....	HM803146-HM803110
Seal Viton (Outer)	.....	719316
Cone/Cup (Outer)	.....	HM88542-HM88510
Kwik Slv (Opt Rpr)	.....	KWK99187
<b>1997-1990</b>	(Dana/Spicer 50 Ser. Indep. axle)	
Cone/Cup (Inner)	.....	HM88649-HM88610
Seal (Outer)	.....	5778
Cone/Cup (Outer)	.....	02872-02820

#### **Spindle Kit**

<b>1997-1992</b>		
Bearing & Seal Kit	.....	SBK5 <sup>37</sup>
<b>1991-1990</b>	(Dana/Spicer 50, 60 Ser. axle)	
Bearing & Seal Kit	.....	SBK3 <sup>35</sup>

#### **Spindle**

<b>2002-1992</b>		
Seal (Inner)	.....	710414
Needle Bearing (Inner)	.....	B2414
Seal (Outer)	.....	710413
<b>1991-1990</b>	(Dana/Spicer 50, 60 Ser. axle)	
Seal (Inner)	.....	710044
Needle Bearing (Inner)	.....	B2414
Seal (Outer)	.....	710045

#### **Steering Knuckle**

<b>1998-1990</b>	(Dana/Spicer 60 7 axle)	
Seal	.....	710304[2]
Cone/Cup	.....	23100-23256[2]

### **REAR AXLE**

#### **Differential Rebuild Kit**

<b>2005-1999</b>	(10.5" R.G.)	
Kit	.....	DRK317

### **REAR AXLE (cont.)**

#### **Differential Rebuild Kit (cont.)**

<b>2004-2001</b>	(Dana/Spicer 80 axle)	
Kit	.....	DRK337A
<b>1998-1990</b>	(Dana/Spicer 70 2U, 70 U axle)	
Kit	.....	DRK332U
<b>1998-1990</b>	(Dana/Spicer 70 HD axle)	
Kit	.....	DRK332HD
<b>1998-1990</b>	(Dana/Spicer 60 Ser. axle)	
Kit	.....	DRK331
<b>1997-1990</b>	(Dana/Spicer 80 axle)	
Kit	.....	DRK337
<b>1997-1990</b>	(10.25" R.G.)	
Kit	.....	DRK314

#### **Differential**

<b>2005-1999</b>	(10.5" R.G.)	
Cone/Cup	.....	469-453X[2]
<b>2005-1999</b>	(11.25" R.G.)	
Cone/Cup	.....	469-453X[2]
<b>2005-1990</b>	(Dana/Spicer 80 axle F Super Duty Ch.)	
Cone/Cup	.....	469-453X[2]
<b>2002-1999</b>	(Dana/Spicer 70 2U axle)	
Cone/Cup	.....	NP197868-NP802507[2]
<b>1999</b>	(Dana/Spicer 60 1U axle)	
Cone/Cup	.....	NP197868-NP802507[2]
<b>1999-1990</b>	(10.25", 10,5" R.G.)	
Cone/Cup	.....	469-453X[2]
<b>1998-1990</b>	(Dana/Spicer 60, 60 U, 60 1U, 61 1, 61 axle)	
Cone/Cup	.....	387A-382S[2]
<b>1995-1990</b>	(Dana/Spicer 70 HD, 70 1HD, 70 2U, 80 Ser. axle)(10.25" R.G.)	
Cone/Cup	.....	469-453X[2]

#### **Pinion**

<b>2005-1999</b>	(10.5" R.G.)	
Cone/Cup (Inner)	.....	NP504493-NP949481
Seal Viton (Outer)	.....	4278
Cone/Cup (Outer)	.....	HM89443-HM89411
<b>2005-1999</b>	(11.25" R.G.)	
Cone/Cup (Inner)	.....	NP516549-NP673386
Seal Viton (Outer)	.....	4525V
Cone/Cup (Outer)	.....	M802048-M802011
<b>2005-1999</b>	(Dana/Spicer 80 axle)	
Cone/Cup (Inner)	.....	NP516549-NP673386
Seal Viton (Outer)	.....	4525V
Cone/Cup (Outer)	.....	M802048-M802011
<b>2002-1999</b>	F450 Super Duty (Spicer 80 axle)	
Cone/Cup (Inner)	.....	55200C-55437
Cone/Cup (Outer)	.....	M802048-M802011
<b>1999-1990</b>	(Dana/Spicer 70 2U axle)	
Cone/Cup (Inner)	.....	HM803149-HM803110
Seal Viton (Outer)	.....	719316
Cone/Cup (Outer)	.....	HM88542-HM88510

**FORD TRUCK - 1 TON - Econoline, E350, F350, Motor Home, Parcel Delivery, Pickup, Van (cont.)**

**REAR AXLE (cont.)**

**Pinion (cont.)**

<b>1998-1990</b> (11.25" R.G.)	
Cone/Cup (Inner) .....	HM807046-HM807010
Seal Viton (Outer) .....	4525V
Cone/Cup (Outer) .....	M802048-M802011
<b>1998-1990</b> (Dana/Spicer 80 axle)	
Cone/Cup (Inner) .....	HM807046-HM807010
Seal Viton (Outer) .....	4525V
Cone/Cup (Outer) .....	M802048-M802011
<b>1998-1990</b> (10.25", 10.5" R.G.)	
Cone/Cup (Inner) .....	HM807044-HM807010
Seal Viton (Outer) .....	4278
Cone/Cup (Outer) .....	HM89443-HM89411
<b>1997-1990</b> (Dana/Spicer 70 1HD, 70 HD axle)	
Cone/Cup (Inner) .....	HM807040-HM807010
Seal Viton (Outer) .....	719316
Cone/Cup (Outer) .....	HM88542-HM88510

**TRANSFER CASE REBUILD KIT**

<b>1997-1990</b> (Warner 1356)	
Kit .....	TCRK1356

**TRANSFER CASE**

**Input Shaft**

<b>2002-1999</b> (New Process 271, 273)	
Ball Bearing .....	211TB
<b>1997-1996</b> (Warner 4407)	
Seal .....	4333N
Ball Bearing .....	211TB
Needle Bearing Pilot .....	BK3026
<b>1997-1990</b> (Warner 1356)	
Seal .....	714503
Ball Bearing .....	110CB
Needle Bearing Pilot .....	BK3026
<b>1990</b> (Warner 1345)	
Seal .....	710062
Kwik Slv (Opt Rpr) .....	KWK99175

**Front Output Shaft**

<b>2002-1999</b> (New Process 271, 273)	
Ball Bearing .....	111TB
<b>1997-1996</b> (Warner 4407)	
Ball Bearing (Inner) .....	207
Seal (Outer) .....	4333N
Ball Bearing (Outer) .....	208
Needle Bearing (Pilot) .....	
Pilot .....	B2012
<b>1997-1990</b> (Warner 1356)	
Seal .....	714503
Ball Bearing .....	207
Needle Bearing Pilot .....	B2012
<b>1990</b> (Warner 1345)	
Seal .....	3946
Ball Bearing .....	207
Kwik Slv (Opt Rpr) .....	KWK99187
Needle Bearing Pilot .....	B2012

**TRANSFER CASE**

**Rear Output Shaft**

<b>1997-1996</b> (Warner 4407)	
Seal .....	4503N
Ball Bearing .....	308WB
Needle Bearing Thrust .....	NTA2233
<b>1997-1990</b> (Warner 1356)(fixed yoke)	
Seal .....	4333N
Ball Bearing .....	207
<b>1997-1990</b> (Warner 1356)(slip yoke)	
Seal .....	4503N
Ball Bearing .....	207
<b>1990</b> (Warner 1345)(w/o boot)	
Seal .....	3946
Ball Bearing .....	207
Kwik Slv (Opt Rpr) .....	KWK99187
Needle Bearing Pilot .....	B2812

**Intermediate Shaft**

<b>1997-1996</b> (Warner 4407)	
Ball Bearing .....	210S

**Selector Shaft Seal/Man. Shaft**

<b>1997-1990</b> (Warner 1356, 4407)	
Seal .....	330385

**TRANSMISSION REBUILD KIT**

<b>2002-1998</b> (ZF S6 650)	
Kit .....	TRKS6650ZF
<b>2002-1990</b> (ZF S5 42, S5 47)	
Kit .....	TRK300ZFI

**3-SPEED AUTOMATIC TRANSMISSION**

**Torque Converter**

<b>1997-1990</b> (C4, C5, C6)	
Seal .....	331107N
Kwik Slv (Opt Rpr) .....	KWK99199

**Rear Seal/Ext. Housing**

<b>1997-1990</b> (C6)	
Seal .....	410308

**Selector Shaft Seal/Man. Shaft**

<b>1997-1990</b> (C6)	
Seal .....	7929S

**4-SPEED AUTOMATIC TRANSMISSION**

**Torque Converter**

<b>2000-1990</b> (AODE, E40D)	
Seal .....	3404
<b>1993-1990</b> (AOT, AOD)	
Seal .....	331107N
Kwik Slv (Opt Rpr) .....	KWK99199

# Bearings and Seals

Mfg./Year    Model & Location    Part No    Mfg./Year    Model & Location    Part No

## **FORD TRUCK - 1 TON - Econoline, E350, F350, Motor Home, Parcel Delivery, Pickup, Van (cont.)**

### **4-SPEED AUTOMATIC TRANSMISSION**

#### **Rear Seal/Ext. Housing**

2000-1994 (AODE)	
Seal .....	4765
2000-1990 (E4OD)	
Seal .....	7300S
Seal Kit .....	5203 <sup>64</sup>
1993-1990 (AOT, AOD)(long boot)	
Seal .....	7692S
Seal Kit .....	5202 <sup>64</sup>

#### **Selector Shaft Seal/Man. Shaft**

2000-1990	
Seal .....	7929S

### **CLUTCH**

#### **Pilot Bearing**

2002-1999 330/5.4L (SOHC)	
Needle Bearing .....	FC68329
2002-1990 8 Cyl. 444 (7.3)(Diesel)	
Needle Bearing .....	FC65662
1998-1997 330/5.4L	
Needle Bearing .....	FC65662
1997-1990 8 Cyl. 460 (7.5)	
Needle Bearing .....	FC66067
1997-1990 8 Cyl. 302 (5.0)	
Needle Bearing .....	FC65662
1997-1990 8 Cyl. 351 (5.8)	
Needle Bearing .....	FC65662
1997-1990 6 Cyl. 300 (4.9)	
Needle Bearing .....	FC65662

#### **Release Bearing**

2002-1999 330/5.4L, 445/7.3L	
Bearing Assembly .....	614175
1998-1997 330/5.4L (SOHC)	
Bearing Assembly .....	614169
1998-1993 6 Cyl. 300 (4.9)(5 Spd.)(Hyd. piston type)	
Bearing Assembly .....	614169
1998-1993 8 Cyl. 302 (5.0)(5 Spd.)(Hyd. piston type)	
Bearing Assembly .....	614169
1998-1993 8 Cyl. 351 (5.8)(5 Spd.)(Hyd. piston type)	
Bearing Assembly .....	614169
1998-1990 8 Cyl. 444 (7.3)(Diesel)	
Bearing Assembly .....	614062
1998-1990 8 Cyl. 420 (6.9)(Diesel)(5 Spd.)	
Bearing Assembly .....	614062
1998-1990 8 Cyl. 460 (7.5)(5 Spd.)	
Bearing Assembly .....	614062
1993-1990 8 Cyl. 302 (5.0)(4 Spd.)(mechanical mechanism)	
Bearing Assembly .....	614014
1993-1990 8 Cyl. 351 (5.8)(4 Spd.)(mechanical mechanism)	
Bearing Assembly .....	614014

### **CLUTCH (cont.)**

#### **Release Bearing (cont.)**

1993-1990 6 Cyl. 300 (4.9)(4 Spd.)(mechanical mechanism)	
Bearing Assembly .....	614014
1993-1990 8 Cyl. 460 (7.5)(4 Spd.)	
Bearing Assembly .....	614014
1992-1990 6 Cyl. 300 (4.9)(5 Spd.)(Hyd. piston type)	
Bearing Assembly .....	614061
1992-1990 8 Cyl. 302 (5.0)(5 Spd.)(Hyd. piston type)	
Bearing Assembly .....	614061
1992-1990 8 Cyl. 351 (5.8)(5 Spd.)(Hyd. piston type)	
Bearing Assembly .....	614061

### **4-SPEED MANUAL TRANSMISSION**

#### **Input Shaft**

1993-1990 (Warner T18)	
Seal .....	7412S
Ball Bearing .....	308LTB
Kwik Slv (Opt Rpr) .....	KWK99125
1990 (Tremec)	
Seal .....	3638
Ball Bearing .....	308LTB
Kwik Slv (Opt Rpr) .....	KWK99112

#### **Rear Output Shaft**

1993-1990 (Warner T18)(28 spline)	
Seal .....	7692S
Ball Bearing .....	308LI
Seal Kit .....	5202 <sup>64</sup>
1990 (Tremec)(2nd design)	
Seal .....	7692S
Ball Bearing .....	308L
Seal Kit .....	5202 <sup>64</sup>

#### **Selector Shaft Seal/Man. Shaft**

1990 (Tremec)	
Seal .....	313156

### **5-SPEED MANUAL TRANSMISSION**

#### **Transmission Rebuild Kit**

2004-1999 (ZF S5 47)	
Kit .....	TRK300ZF
1995-1990 (ZF S5 42)	
Kit .....	TRK300ZF

**FORD TRUCK - 1 TON - Econoline, E350, F350, Motor Home, Parcel Delivery, Pickup, Van (cont.)**

**5-SPEED MANUAL TRANSMISSION**

**Front Input Shaft**

<b>2004-1999</b>	(ZF S5 47)	
Seal Viton	.....	713771
Cone/Cup	.....	28580-28521
Kwik Slv (Opt Rpr)	.....	KWK99139
<b>1998-1990</b>	(ZF S5 42, S5 47)	
Seal Viton	.....	713771
Cone/Cup	.....	28580-28521
Kwik Slv (Opt Rpr)	.....	KWK99139
<b>1990</b>	Mazda	
Seal	.....	223012
Kwik Slv (Opt Rpr)	.....	KWK99114

**Front Input Shaft Pocket**

<b>2004-1990</b>	(ZF S5 47)	
Cone	.....	JH13349
<b>2002-1990</b>	(ZF S5 42)	
Cone	.....	JH13349

**Countershaft**

<b>2004-1990</b>	(ZF S5 47)	
Cone/Cup	.....	2580-2520[2]
<b>2002-1990</b>	(ZF S5 42)	
Cone/Cup	.....	2580-2520[2]

**Rear Output Shaft**

<b>2004-1990</b>	(ZF S5 47)(2WD)	
Seal	.....	225010
Cone/Cup	.....	J28573-28521
<b>2004-1990</b>	(ZF S5 47)(4WD)	
Seal	.....	1217
Cone/Cup	.....	J28573-28521
<b>2002-1990</b>	(ZF S5 42)(2WD)	
Seal	.....	225010
Cone/Cup	.....	J28573-28521
<b>2002-1990</b>	(ZF S5 42)(4WD)	
Seal	.....	1217
Cone/Cup	.....	J28573-28521
<b>1990</b>	Mazda	
Seal	.....	710415

**6-SPEED MANUAL TRANSMISSION**

**Transmission Rebuild Kit**

<b>2004-1999</b>	(ZF S6 650)	
Kit	.....	TRKS6650ZF

**Front Input Shaft**

<b>2004-1999</b>	(ZF S6 650)	
Cone/Cup	.....	NP007430-NP423135

**Front Input Shaft Pocket**

<b>2004-1999</b>	(ZF S6 650)	
Cone	.....	JH13349

**6-SPEED MANUAL TRANSMISSION**

**Main Shaft**

<b>2004-1999</b>	(ZF S6 650)	
Cone/Cup (Center)	.....	NP957859-NP771105

**Center Counter Shaft**

<b>2004-1999</b>	(ZF S6 650)	
Cone/Cup	.....	NP043905-NP547779

**Rear Output Shaft**

<b>2004-1999</b>	(ZF S6 650)(2WD)	
Seal	.....	225010
Cone/Cup	.....	J28573-28521
<b>2004-1999</b>	(ZF S6 650)(4WD)	
Seal	.....	1217
Cone/Cup	.....	J28573-28521

**DRIVESHAFT SUPPORT**

<b>2000-1997</b>	E350	
Hanger Brg Assy	.....	HB88508G
<b>1996-1993</b>	(Spicer 1480)(1.5748" 40mm Brg. I.D.)	
Hanger Brg Assy	.....	HB88508AA
<b>1995-1990</b>	(Spicer 1260, 1280, 1310, 1410, 1480)(1.3780" Brg. I.D.)	
Ball Bearing	.....	88107
Hanger Brg Assy	.....	HB88107A

**POWER STEERING**

**Pump Shaft**

<b>1997-1992</b>	(Ford pump)	
Seal	.....	8773S
<b>1997-1990</b>	E350 (Saginaw pump)	
Seal	.....	7013S
<b>1991-1990</b>	F Ser.	
Seal	.....	8773S

**MANUAL STEERING**

**Worm Shaft**

<b>1998-1990</b>	E350	
Seal	.....	221922

**CRANKSHAFT FRONT SEAL**

**6 Cylinder**

<b>1998-1990</b>	240/3.9, 300/4.9L	
Seal (Frt Entry)	.....	2692
Seal (Rr Entry)	.....	2942
Kwik Slv (Opt Rpr)	.....	KWK99187
Harmonic Balancer Slv	.....	88187

**8 Cylinder**

<b>2002-1997</b>	330/5.4L	
Seal	.....	482041N
Kwik Slv (Opt Rpr)	.....	KWK99187



# Bearings and Seals

Mfg./Year    Model & Location    Part No    Mfg./Year    Model & Location    Part No

## **FORD TRUCK - 1 TON - Econoline, E350, F350, Motor Home, Parcel Delivery, Pickup, Van (cont.)**

### **CRANKSHAFT FRONT SEAL (cont.)**

#### **8 Cylinder (cont.)**

<b>2002-1990</b>	420/6.9L, 444/7.3L (Diesel)	
Seal Viton	.....	3894V
Seal Opt	.....	5066 <sup>26</sup>
<b>1998-1990</b>	351/5.8L, 400/6.6L, 460/7.5L	
Seal (Frt Entry)	.....	2692
Seal (Rr Entry)	.....	2942
Kwik Slv (Opt Rpr)	.....	KWK99187
<b>1998-1990</b>	302/5.0L, 351/5.8L, 352/5.8L, 360/5.9L, 390/6.4L, 400/6.6L, 460/7.5L	
Seal (Frt Entry)	.....	2692
Seal (Rr Entry)	.....	2942
Kwik Slv (Opt Rpr)	.....	KWK99187
Harmonic Balancer Slv	.....	88187

#### **10 Cylinder**

<b>2002-1997</b>	415/6.8L	
Seal	.....	482041N
Kwik Slv (Opt Rpr)	.....	KWK99187
Harmonic Balancer Slv	.....	88187

### **CRANKSHAFT REAR SEAL**

#### **6 Cylinder**

<b>1997-1990</b>	300/4.9L	
Seal Viton	.....	2377
Seal PTFE H/D Opt	.....	5278
Kwik Slv (Opt Rpr)	.....	KWK99372

### **CRANKSHAFT REAR SEAL**

#### **8 Cylinder**

<b>2003-1994</b>	444/7.3L (Diesel)	
Seal	.....	5723
<b>2002-1997</b>	330/5.4L	
Seal Viton	.....	3909
Seal PTFE H/D Opt	.....	5277
Kwik Slv (Opt Rpr)	.....	KWK99363
<b>1998-1990</b>	351/5.8L	
Seal Viton	.....	2377
Seal PTFE H/D Opt	.....	5278
Kwik Slv (Opt Rpr)	.....	KWK99372
<b>1998-1990</b>	460/7.5L	
Seal Rope	.....	5095
Seal Split Opt	.....	5118
<b>1994-1990</b>	420/6.9L, 444/7.3L (Diesel)	
Seal Viton	.....	3893V
Kwik Slv (Opt Rpr)	.....	KWK99372

#### **10 Cylinder**

<b>2003-1997</b>	415/6.8L	
Seal Viton	.....	3909
Seal PTFE H/D Opt	.....	5277
Kwik Slv (Opt Rpr)	.....	KWK99363

## **FORD TRUCK - 1-1/2, 2, 2-1/2 TON - Motor Home Chassis, Parcel Delivery, Pickup, 450, F53, F59, 550, 600, 700 Series**

### **FRONT WHEEL**

#### **2WD**

<b>2004-2003</b>	E450 Super Duty	
Seal (Inner)	.....	4160[2]
Set (Inner)	.....	SET47[2]
Cone/Cup	.....	15101-15245[2]
<b>2003-2000</b>	F650, F750 (9000 lb. Axle)(ABS)	
Seal (Inner)	.....	370132A[2] <sup>57</sup>
Cone/Cup (Inner)	.....	39581-39520[2]
Cone/Cup (Outer)	.....	3585-3525[2]
<b>2003-2000</b>	F750 (12000 lb. Axle)(ABS)	
Seal (Inner)	.....	370001A[2]
Cone/Cup (Inner)	.....	HM212049-HM212011[2]
Cone/Cup (Outer)	.....	3782-3720[2]
<b>1998-1990</b>	F450 Super Duty, F53, F550 Super Duty	
Seal (Inner)	.....	4160[2]
Set (Inner)	.....	SET47[2]
Cone/Cup (Outer)	.....	15101-15245[2]

### **FRONT WHEEL (cont.)**

#### **2WD (cont.)**

<b>1994-1990</b>	600, 700 Ser. (6000, 7000 lb. Axle and Disc Brks.)	
Seal (Inner)	.....	2674[2]
Cone/Cup (Inner)	.....	45284-45220[2]
Cone/Cup (Outer)	.....	25880-25820[2]
<b>1994-1990</b>	600, 700 Ser. (7500, 9000, 12000 lb. Axle)	
Seal (Inner)	.....	370132A[2] <sup>57</sup>
Cone/Cup (Inner)	.....	39581-39520[2]
Cone/Cup (Outer)	.....	3585-3525[2]

#### **4WD/AWD**

<b>2004-1999</b>	450, 550 Super Dutys (4 Whl. ABS)(DRW)(From 3/22/99)	
Hub Assembly	.....	515025[2]
<b>2004-1999</b>	450, 550 Super Dutys (Rr. Whl. ABS)(SRW)(From 3/22/99)	
Hub Assembly	.....	515021[2]

**FORD TRUCK - 1-1/2, 2, 2-1/2 TON - Motor Home Chassis, Parcel Delivery, Pickup, 450, F53, F59, 550, 600, 700 Series (cont.)**

**FRONT WHEEL (cont.)**

**4WD/AWD (cont.)**

<b>2004-1999</b>	F450, F550 Super Duty (4 Whl. ABS)(SRW)(Coarse Thread Studs)(From 3/22/99)	
	Hub Assembly	515020[2]
<b>2004-1999</b>	F450, F550 Super Duty (4 Whl. ABS)(SRW)(Fine Thread Studs)(From 3/22/99)	
	Hub Assembly	SP450105[2]
<b>1999</b>	450, 550 Super Dutys (4 Whl. ABS)(DRW)(Coarse Thread Studs)(To 3/21/99)	
	Hub Assembly	HA590425[2]
<b>1999</b>	450, 550 Super Dutys (Rr. Whl. ABS)(SRW)(Coarse Thread Studs)(To 3/21/99)	
	Hub Assembly	HA590132[2] <sup>25</sup>
<b>1997-1990</b>		
	Seal (Inner)	415960[2]
	Cone/Cup (Inner)	387A-382A[2]
	Set (Outer)	SET38[2]

**REAR WHEEL**

<b>2005-1999</b>	F450 Super Duty, F53, F550 Super Duty	
	Seal (Inner)	710454[2]
	Cone/Cup (Inner)	33281-33462[2]
	Cone/Cup (Outer)	39250-39412[2]
<b>2004-2003</b>	E450 Super Duty	
	Seal (Inner)	9864S[2]
	Cone/Cup (Inner)	387AS-382A[2]
	Set (Outer)	SET38[2]
<b>2003-2000</b>	F650, F750 (17000 lb. Axle)(Dayton Whl)	
	Seal (Inner)	370024A[2] <sup>57</sup>
	Set (Inner)	SET411[2]
	Set (Outer)	SET408[2]
<b>1998-1992</b>	F450, F53, F59	
	Seal (Inner)	370018A[2] <sup>57</sup>
	Cone/Cup (Inner)	39590-39520[2]
	Cone/Cup (Outer)	JLM506849-JLM506810[2]
<b>1991-1990</b>	F450, F53, F59	
	Seal (Inner)	370018A[2] <sup>57</sup>
	Cone/Cup (Inner)	39585-39520[2]
	Cone/Cup (Outer)	368A-362A[2]
<b>1991-1990</b>	(15000 lb. Axle)(15"x 5" Drum Brks.)(Dayton Whl)	
	Seal (Inner)	370047A[2] <sup>57</sup>
	Seal (Inner)	455858[2]
	Cone/Cup (Inner)	33287-33462[2]
	Seal (Outer)	5487[2]
	Cone/Cup (Outer)	3982-3920[2]
<b>1990</b>	F Super Duty (Dana 80 Axle)	
	Seal (Inner)	370018A[2] <sup>57</sup>
	Cone/Cup (Inner)	39585-39520[2]
	Cone/Cup (Outer)	368A-362A[2]

**REAR WHEEL (cont.)**

<b>1990</b>	(13000 lb. Axle 13"x5" Drum Brks. & Budd Whl.)	
	Seal (Inner)	370047A[2] <sup>57</sup>
	Cone/Cup (Inner)	3984-3920[2]
	Seal (Inner)	455858[2]
	Cone/Cup (Outer)	462-453X[2]
<b>1990</b>	(15000 lb. Axle)(15"x 6" Drum Brks.)(Dayton Whl)	
	Seal (Inner)	370047A[2] <sup>57</sup>
	Seal (Inner)	455858[2]
	Cone/Cup (Inner)	33287-33462[2]
	Seal (Outer)	5487[2]
	Cone/Cup (Outer)	3982-3920[2]

**REAR AXLE**

**Differential Rebuild Kit**

<b>2005-1999</b>	(10.5" R.G.)	
	Kit	DRK317
<b>1994-1990</b>	(Rockwell 13120, 15120 axle)	
	Kit	DRK218
<b>1994-1990</b>	(Rockwell 19220 axle)	
	Kit	DRK216
<b>1992-1990</b>	(Rockwell 17140 axle)	
	Kit	DRK215
<b>1992-1990</b>	(Rockwell 17220 axle)	
	Kit	DRK216

**Differential**

<b>2005-1999</b>	(10.5" R.G.)	
	Cone/Cup	469-453X[2]
<b>1994-1993</b>	(Rockwell 19220 axle)	
	Cone/Cup	42381-42584[2]
<b>1994-1992</b>	(Rockwell 19145 axle)	
	Cone/Cup	JM716649-JM716610[2]
<b>1994-1990</b>	(Rockwell 13120, 15120 axle)	
	Cone/Cup (LH)	3994-JM511910
	Cone/Cup (RH)	34306-34478
<b>1994-1990</b>	(Rockwell 15210 axle)	
	Cone/Cup (LH)	JP10049-JP10010
	Cone/Cup (RH)	JLM714149-JLM714110
<b>1994-1990</b>	(Rockwell 17140, 21145 axle)(3200 L 1676 carrier)	
	Cone/Cup	JM716649-JM716610[2]
<b>1994-1990</b>	(Rockwell 17140, 21145 axle)(3200 M 1547 carrier)	
	Cone/Cup (LH)	JM716649-JM716610
	Cone/Cup (RH)	JP10049-JP10010
<b>1994-1990</b>	(Rockwell 21145 axle)(3200 R 1500 carrier)	
	Bearing Assembly	32020X[2]
<b>1994-1990</b>	(Rockwell 21230 axle)	
	Cone/Cup (LH)	52400-52618
	Cone/Cup (RH)	JM716649-JM716610
<b>1994-1990</b>	(Rockwell 23160 axle)	
	Bearing Assembly	32021X[2]
<b>1994-1990</b>	(Rockwell 23240 axle)	
	Cone/Cup (LH)	JP12049-JP12010
	Cone/Cup (RH)	JM716649-JM716610

<sup>25</sup>New Item, Check For Availability

<sup>57</sup>Oil Bath Seal

# Bearings and Seals

Mfg./Year    Model & Location    Part No    Mfg./Year    Model & Location    Part No

## **FORD TRUCK - 1-1/2, 2, 2-1/2 TON - Motor Home Chassis, Parcel Delivery, Pickup, 450, F53, F59, 550, 600, 700 Series (cont.)**

### **REAR AXLE (cont.)**

#### **Differential (cont.)**

**1993-1990** (Rockwell 23180 axle)  
Cone/Cup (LH) ..... JHM720249-JHM720210  
Cone/Cup (RH) ..... 64450-64700  
**1992-1990** (Rockwell 17220, 19220 axle)  
Cone/Cup (LH) ..... 42381-42584  
Cone/Cup (RH) ..... JLM714149-JLM714110

#### **Pinion**

**2005-1999** (10.5" R.G.)  
Cone/Cup (Inner) ..... NP504493-NP949481  
Seal Viton (Outer) ..... 4278  
Cone/Cup (Outer) ..... HM89443-HM89411  
**1994-1993** (Rockwell 19220 axle)  
Cone/Cup (Inner) ..... 55200C-55437  
Seal (Outer) ..... 415082N  
Cone/Cup (Outer) ..... M804049-M804010  
Cylindrical Bearing Pilo ..... RU1570UM  
**1994-1990** (Rockwell 15210)(Prod. from 12/1987 on)  
Cone/Cup (Inner) ..... 55200C-55437  
Seal (Outer) ..... 415082N  
Cone/Cup (Outer) ..... M804049-M804010  
Cylindrical Bearing Sea & Bushing ..... RU1570UM  
**1994-1990** (Rockwell 13120, 15120 axle)  
Cone/Cup (Inner) ..... 55200C-55437  
Seal (Outer) ..... 415082N  
Cone/Cup (Outer) ..... HM804846-HM804810  
Cylindrical Bearing Pilo ..... MUB1305UDM  
**1994-1990** (Rockwell 19145, 21145 axle)  
Cone/Cup (Inner) ..... 72212C-72487  
Seal (Outer) ..... 3905  
Cone/Cup (Outer) ..... 55206C-55437  
Cylindrical Bearing Pilo ..... RU1570UM  
**1994-1990** (Rockwell 21230 axle)  
Cone/Cup (Inner) ..... 55200C-55437  
Seal (Outer) ..... 415082N  
Cone/Cup (Outer) ..... HM804846-HM804810  
**1994-1990** (Rockwell 23160 axle)  
Cone/Cup (Inner) ..... 9278-9220  
Seal (Outer) ..... 417987N  
Cone/Cup (Outer) ..... HM813843-HM813810  
**1994-1990** (Rockwell 23240 axle)  
Cone/Cup (Inner) ..... 78225C-78551  
Seal (Outer) ..... 3905  
Cone/Cup (Outer) ..... 55206C-55437  
**1993-1990** (Rockwell 23180 axle)  
Cone/Cup (Inner) ..... 9278-9220  
Seal (Outer) ..... 417987N  
Cone/Cup (Outer) ..... H715334-H715311  
Cylindrical Bearing Pilo ..... MUB7309UM  
**1992-1990** (Rockwell 17140 axle)(3200 L 1676 carrier)  
Cone/Cup (Inner) ..... 55200C-55437  
Seal (Outer) ..... 415082N  
Cone/Cup (Outer) ..... M804049-M804010  
Cylindrical Bearing Pilo ..... RU1570UM

### **REAR AXLE (cont.)**

#### **Pinion (cont.)**

**1992-1990** (Rockwell 17220, 19220 axle)  
Cone/Cup (Inner) ..... 55200C-55437  
Seal (Outer) ..... 415082N  
Cone/Cup (Outer) ..... M804049-M804010  
Cylindrical Bearing Pilo ..... RU1570UM

### **CLUTCH**

#### **Pilot Bearing**

**1992-1990** 600 Ser. (Clark 5 Spd.)  
Ball Bearing ..... 206FF  
**1992-1990** 700 Ser. (Clark 5 Spd.)  
Ball Bearing ..... 206FF  
**1992-1990** 600 Ser. (Diesel)(Exc. 1986, 1992 Clark 5 Spd.)  
Ball Bearing ..... 205SS  
**1992-1990** 600 Ser. (Gas)(single plate Cl.)(Exc. 1979, 1988, P600 Ser.)  
Ball Bearing ..... 202SS  
**1992-1990** 600 Ser. 359, 361, 389, 391, 429  
Ball Bearing ..... 205SS  
**1992-1990** 700 Ser. (Diesel)(Exc. 1986, 1992 Clark 5 Spd.)  
Ball Bearing ..... 205SS  
**1992-1990** 700 Ser. (Gas)(single plate Cl.)  
Ball Bearing ..... 202SS  
**1992-1990** 700 Ser. 359, 361, 389, 391, 429  
Ball Bearing ..... 205SS

#### **Release Bearing**

**1994-1993** (Dbl. plate Cl.)  
Bearing Assembly ..... 614087  
**1994-1993** (single plate Cl.)  
Bearing Assembly ..... 614058  
**1992-1990** 700 Ser. (3208 Cat Diesel)(13" & 14" Dbl. plate Cl.)  
Bearing Only ..... FA02256C  
**1992-1990** 600, 700 Ser. (Diesel)(Dbl. plate Cl.)  
Bearing Only ..... FBO2256C  
**1992-1990** 600, 700 Ser. (Diesel)(single plate Cl.)  
Bearing Only ..... FA02256C  
**1992-1990** 600, 700 Ser. (Gas)(Dbl. plate Cl.)  
Bearing Only ..... FDO2256C  
**1992-1990** 600, 700 Ser. (Gas)(single plate Cl.)  
Bearing Only ..... FO1757C

Mfg./Year	Model & Location	Part No	Mfg./Year	Model & Location	Part No
<b>FORD TRUCK - 1-1/2, 2, 2-1/2 TON - Motor Home Chassis, Parcel Delivery, Pickup, 450, F53, F59, 550, 600, 700 Series (cont.)</b>					

**DRIVESHAFT SUPPORT**

1992-1990 (Spicer 1260, 1280, 1310, 1380, 1410, 1480)(1.3780" Brg. I.D.)  
 Ball Bearing ..... 88107  
 Hanger Brg Assy ..... HB88107A

**FUSO TRUCK - FE Series, FG Series**

**FRONT WHEEL**

1993-1990 (Exh. Brks.)  
 Bearing Assembly  
 (Outer) ..... 32207M[2]  
 1993-1990 (w/o Exh. Brks.)  
 Bearing Assembly (Inne ..... 30210M[2]  
 Bearing Assembly  
 (Outer) ..... 32207M[2]

**REAR WHEEL**

1993-1990  
 Bearing Assembly (Inne ..... 30212M[2]  
 Bearing Assembly  
 (Outer) ..... 30211M[2]

**REAR AXLE**

**Differential**

1995-1990 (R2T axle)  
 Cone/Cup ..... 28985-28921[2]

**REAR AXLE**

**Pinion**

1995-1990 (R2T axle)  
 Cone/Cup (Inner) ..... HM803149-HM803112  
 Cone/Cup (Outer) ..... HM801346-HM801310

**CLUTCH**

**Pilot Bearing**

1995-1992 4 Cyl. 3.9 (Turbo Diesel)  
 Ball Bearing ..... 204FF  
 1991-1990 4 Cyl. 3.3 (Turbo Diesel)  
 Ball Bearing ..... 203FF

**Release Bearing**

1995-1992 4 Cyl. 3.9 (Turbo Diesel)  
 Bearing Assembly ..... 614141  
 1991-1990 4 Cyl. 3.3 (Turbo Diesel)  
 Bearing Assembly ..... 614107

**FUSO TRUCK - FH Series, FK Series, FM Series**

**FRONT WHEEL**

1995-1990 (Exc. FM Ser.)  
 Bearing Assembly (Inne ..... 32312[2]  
 Bearing Assembly  
 (Outer) ..... 32309M[2]  
 Bearing Assembly  
 (Outer) ..... 32207M[2]  
 1991-1990 FM Ser.  
 Bearing Assembly  
 (Outer) ..... 32310[2]

**REAR WHEEL**

1995-1990 (Exc. FM Ser.)  
 Bearing Assembly (Inne ..... 32215[2]  
 Bearing Assembly  
 (Outer) ..... 32213M[2]  
 1995-1990 FM Ser.  
 Bearing Assembly (Inne ..... 32218M[2]  
 Bearing Assembly  
 (Outer) ..... 32217M[2]

**REAR AXLE**

**Differential**

1995-1990 (R4T, R6T axle)  
 Bearing Assembly ..... 32217M[2]

**Pinion**

1995-1990 (R4T axle)  
 Bearing Assembly (Inne ..... 30309M  
 Bearing Assembly  
 (Outer) ..... 30311  
 1995-1990 (R6T axle)  
 Bearing Assembly (Inne ..... 31312M  
 Bearing Assembly  
 (Outer) ..... 30311

**CLUTCH**

**Pilot Bearing**

1995-1990 4 Cyl. 4.9 (Turbo Diesel)  
 Ball Bearing ..... 204FF  
 1991-1990 6 Cyl. 6.6 (Diesel)(Turbo Diesel)  
 Ball Bearing ..... 204FF

# Bearings and Seals

Mfg./Year	Model & Location	Part No	Mfg./Year	Model & Location	Part No
-----------	------------------	---------	-----------	------------------	---------

## **FUSO TRUCK - FH Series, FK Series, FM Series (cont.)**

### **CLUTCH**

#### **Release Bearing**

<b>1995-1990</b>	4 Cyl. 4.9 (Turbo Diesel)	
	Bearing Only .....	613017
<b>1991-1990</b>	6 Cyl. 6.6 (Turbo Diesel)(325mm Cl.)	
	Bearing Only .....	613017
<b>1991-1990</b>	6 Cyl. 6.6 (Turbo Diesel)(350mm Cl.)	
	Bearing Only .....	613016

### **DRIVESHAFT SUPPORT**

<b>1993-1990</b>	PB Ser. (1.7717" 45mm Brg. I.D.)	
	Ball Bearing .....	209BB
<b>1993-1990</b>	PB Ser. (2.1654" 55mm Brg. I.D.)	
	Ball Bearing .....	211TB

## **GEO - also see Chevrolet Imports from 1998 on - Metro, Prizm, Storm**

### **FRONT WHEEL**

<b>1997-1995</b>	Metro	
	Seal (Inner) .....	710394[2]
	Seal (Outer) .....	710175[2]
	Seal (Outer) .....	[2]
	Ball Bearing (Inner) .....	510001[2]
<b>1997-1993</b>	Prizm (w/o ABS)	
	Seal Kit .....	5696[2]
	Ball Bearing .....	510007[2]
	Hub Assembly Kit .....	518507[2] <sup>62</sup>
	Seal (Inner) .....	1993[2]
	Seal (Outer) .....	4898[2]
<b>1994-1992</b>	Metro LSI	
	Seal (Inner) .....	710394[2]
	Seal (Outer) .....	710175[2]
	Seal (Outer) .....	[2]
	Ball Bearing (Inner) .....	510001[2]
<b>1994-1992</b>	Metro exc. LSI	
	Seal (Inner) .....	4904[2]
	Ball Bearing (Inner) .....	107DD[2]
	Ball Bearing (Outer) .....	107DD[2]
<b>1993-1990</b>	Storm	
	Seal .....	1953S[2]
	Ball Bearing .....	510033[2]
<b>1993-1990</b>	Storm GSi	
	Seal (Inner) .....	710194[2]
	Bearing Assembly (Inne .....	517005WB[2]
	Seal (Outer) .....	710192[2]
<b>1992-1990</b>	Prizm	
	Seal (Inner) .....	1993[2]
	Ball Bearing (Inner) .....	510007[2]
	Seal (Outer) .....	4898[2]
<b>1991-1990</b>	Metro (Turbo)	
	Seal .....	710175[2]
	Ball Bearing .....	510001[2]
<b>1991-1990</b>	Metro (w/o Turbo)	
	Seal (Inner) .....	4904[2]
	Ball Bearing .....	107DD[2]

### **REAR WHEEL**

<b>1997-1996</b>	Prizm (ABS)	
	Hub Assembly .....	512184[2]
<b>1997-1995</b>	Metro (ABS)	
	Hub Assembly .....	512204[2]
<b>1997-1993</b>	Prizm (w/o ABS)	
	Hub Assembly .....	512018[2]

### **REAR WHEEL (cont.)**

<b>1997-1990</b>	Metro (w/o ABS)	
	Ball Bearing (Inner) .....	205F[2]
	Ball Bearing (Outer) .....	204F[2]
<b>1995-1993</b>	Prizm (ABS)	
	Hub Assembly .....	512019[2]
<b>1993-1990</b>	Storm	
	Hub Assembly .....	512171[2]
<b>1992-1990</b>	Prizm	
	Seal .....	1180S[2]
	Ball Bearing .....	513031[2]

### **CLUTCH**

#### **Pilot Bearing**

<b>1996-1990</b>	3 Cyl. 1.0, (Turbo)	
	Ball Bearing .....	200CC
<b>1996-1990</b>	4 Cyl. 1.3	
	Ball Bearing .....	200CC
<b>1996-1990</b>	4 Cyl. 1.6 (DOHC)	
	Ball Bearing .....	200CC

#### **Release Bearing**

<b>1996-1995</b>	Metro 1.3	
	Bearing Assembly .....	614082
<b>1996-1993</b>	Prizm 1.8 (DOHC)	
	Bearing Assembly .....	614152
<b>1996-1992</b>	Prizm 1.6 (DOHC)	
	Bearing Assembly .....	614152
<b>1996-1990</b>	Metro 1.0	
	Bearing Assembly .....	614082
<b>1993-1990</b>	Storm	
	Bearing Assembly .....	614108
<b>1991-1990</b>	Prizm 1.6 (DOHC)	
	Bearing Assembly .....	614043

### **3-SPEED AUTOMATIC TRANSAXLE**

#### **Torque Converter**

<b>1997-1990</b>	Metro	
	Seal .....	223830
	Kwik Slv (Opt Rpr) .....	KWK99147
<b>1997-1990</b>	Prizm	
	Seal .....	223830
	Kwik Slv (Opt Rpr) .....	KWK99147

**3-SPEED AUTOMATIC TRANSAXLE  
(cont.)**

**Torque Converter (cont.)**

1993-1990	Storm	
	Seal Viton .....	710078
	Kwik Slv (Opt Rpr) .....	KWK99177

**Output Shaft**

1997-1990	Metro	
	Seal .....	223540[2]
	Kwik Slv (Opt Rpr) .....	KWK99139[2]
1997-1990	Prizm	
	Seal .....	710110[2]

**Differential**

1997-1992	(Aisin A210)	
	Ball Bearing .....	207[2]
1997-1990	(Aisin A131)	
	Seal .....	710416[2]
1992-1990	(Jatco F3A)	
	Cone/Cup .....	XAA32008X-Y32008X[2]
1991-1990	(Aisin A210)(Turbo)	
	Ball Bearing .....	207[2]
1991-1990	(Aisin A210)(w/o Turbo)	
	Ball Bearing .....	207S[2]

**Selector Shaft Seal/Man. Shaft**

1997-1990	Prizm	
	Seal .....	221207
	Kwik Slv (Opt Rpr) .....	KWK99049
1990	Metro	
	Seal .....	710116

**4-SPEED AUTOMATIC TRANSAXLE  
Differential**

1997-1993	(Aisin A245)	
	Seal .....	710416[2]
1993-1990	(Jatco JF403)	
	Seal (LH) .....	710109
	Bearing Assembly (LH) .....	30208M
	Seal (RH) .....	710110
	Bearing Assembly (RH) .....	30208M

**Torque Converter**

1997-1990	Prizm	
	Seal .....	223830
	Kwik Slv (Opt Rpr) .....	KWK99147
1993	Storm	
	Seal .....	710114

**Output Shaft**

1997-1990	Prizm	
	Seal (LH) .....	710109
	Seal (RH) .....	710110
1993-1990	Storm	
	Seal (LH) .....	710109
	Seal (RH) .....	710110

**ALTERNATOR**

1997-1990	Metro	
	Ball Bearing (Drive End) .....	302CC

**CAMSHAFT SEAL**

**3 Cylinder**

1997-1990	Metro 1.0	
	Seal .....	710310
	Kwik Slv (Opt Rpr) .....	KWK99128

**4 Cylinder**

1997-1995	Metro 1.3	
	Seal .....	710310
	Kwik Slv (Opt Rpr) .....	KWK99128
1997-1990	Prizm	
	Seal .....	1987S
	Kwik Slv (Opt Rpr) .....	KWK99139
1993-1990	Storm	
	Seal .....	1217

**CRANKSHAFT FRONT SEAL**

**4 Cylinder**

1997-1995	Metro 1.3	
	Seal .....	710310
	Kwik Slv (Opt Rpr) .....	KWK99128
1997-1990	Prizm	
	Seal 1.8L .....	223235
	Seal 1.6L .....	223220
	Kwik Slv (Opt Rpr) .....	KWK99128
1993-1990	Storm	
	Seal .....	223220
	Kwik Slv (Opt Rpr) .....	KWK99128

**CRANKSHAFT REAR SEAL**

**3 Cylinder**

1997-1990	Metro 1.0	
	Seal .....	710334

# Bearings and Seals

Mfg./Year	Model & Location	Part No	Mfg./Year	Model & Location	Part No
-----------	------------------	---------	-----------	------------------	---------

## **GEO IMPORT TRUCKS - Tracker**

### **FRONT WHEEL**

<b>1997-1990</b>		
Seal (Inner)	.....	710240[2]
Bearing Assembly (Inne	.....	517009[2]
Seal (Outer)	.....	710239[2]

### **4WD FRONT AXLE**

#### **Axle Shaft**

<b>1997-1990</b>		
Seal Viton	.....	710331[2]
Ball Bearing	.....	206FF[2]

#### **Differential**

<b>1997-1990</b>		
Cone/Cup	.....	17887-17831[2]

### **4WD FRONT AXLE**

#### **Pinion**

<b>1997-1990</b>		
Bearing Assembly (Inne	.....	30307M
Seal (Outer)	.....	710523
Bearing Assembly		
(Outer)	.....	30306M

### **CAMSHAFT SEAL**

#### **4 Cylinder**

<b>1997-1990</b>		
Seal	.....	710310

### **CRANKSHAFT FRONT SEAL**

#### **4 Cylinder**

<b>1997-1990</b>		
Seal	.....	710310

## **GMC TRUCK - 1-1/2, 2, 2-1/2 TON - 400, 4000, 4500 (Class 4), 500, 5000, 5500 (Class 5), 6000, 6500 (Class 6), 7000, 7500 (Class 7)**

### **FRONT WHEEL**

<b>1999-1997</b>	(12,000 lb. Axle W7R042HD)	
Seal Viton (Inner)	.....	370212A <sup>57</sup>
Cone/Cup (Inner)	.....	JF7049A-JF7010[2]
Bearing Assembly		
(Outer)	.....	33208[2]
<b>1998-1997</b>	(W6R042)	
Seal Viton (Inner)	.....	370199A <sup>57</sup>
Cone (Inner)	.....	JM205149[2]
Bearing Assembly		
(Outer)	.....	32207M[2]
<b>1998-1997</b>	(W7R042M)	
Seal (Inner)	.....	370211A[2] <sup>57</sup>
Bearing Assembly (Inne	.....	32208M[2]
<b>1998-1990</b>	(16,000 lb. Axle C6H042, C7H042, C7H064)	
Seal (Inner)	.....	370182A[2] <sup>57</sup>
Cone/Cup (Inner)	.....	6461A-6420[2]
Cone/Cup (Outer)	.....	557S-552A[2]
<b>1997-1993</b>	(9,000 lb. Axle B6P042, C6D042)	
Seal (Inner)	.....	370211A[2] <sup>57</sup>
Bearing Assembly (Inne	.....	33208[2]
<b>1997-1990</b>	(11,000 lb. Axle C6H042, C7H042, C7H064, W7R042HD)	
Seal (Inner)	.....	370211A[2] <sup>57</sup>
Bearing Assembly		
(Outer)	.....	33208[2]
<b>1997-1990</b>	(14,500 lb. Axle C6H042, C7H042, C7H064)	
Seal Viton (Inner)	.....	370212A <sup>57</sup>
Cone/Cup (Inner)	.....	JF7049A-JF7010[2]
Cone/Cup (Outer)	.....	JM205149-JM205110[2]

### **FRONT WHEEL (cont.)**

<b>1997-1990</b>	W5S042	
Seal (Inner)	.....	710087[2]
Bearing Assembly (Inne	.....	513046[2]
Bearing Assembly		
(Outer)	.....	513045[2]
<b>1996-1991</b>	(12,000 lb. Axle Late C6H042, C7H042, C7H064)	
Seal (Inner)	.....	370211A[2] <sup>57</sup>
Cone/Cup (Inner)	.....	JF7049A-JF7010[2]
Bearing Assembly		
(Outer)	.....	33208[2]
<b>1996-1990</b>	(8,000 lb. Axle B7T042, C5H042, C6H042, C7H042, C7H064, P6S042)	
Seal Viton (Inner)	.....	370199A <sup>57</sup>
Cone/Cup (Inner)	.....	JM205149A-JM205110[2]
Bearing Assembly		
(Outer)	.....	32207M[2]
<b>1996-1990</b>	(W7R042M Hyd.Brks. Z06 Axle)	
Seal (Inner)	.....	710084[2]
Cone/Cup (Inner)	.....	H414245A-H414210[2]
Bearing Assembly		
(Outer)	.....	513047[2]
<b>1996-1990</b>	(W7R042)(HD Axle)	
Seal (Inner)	.....	710084[2]
Cone/Cup (Inner)	.....	H414245A-H414210[2]
Bearing Assembly		
(Outer)	.....	513047[2]
<b>1996-1990</b>	(W7R042M Hyd.Brks. Z05 Axle)	
Seal (Inner)	.....	710088[2]
Cone/Cup (Inner)	.....	HM212047-HM212011[2]
Cone/Cup (Outer)	.....	4388-4335[2]

Mfg./Year    Model & Location    Part No    Mfg./Year    Model & Location    Part No

---

**GMC TRUCK - 1-1/2, 2, 2-1/2 TON - 400, 4000, 4500 (Class 4), 500, 5000, 5500 (Class 5), 6000, 6500 (Class 6), 7000, 7500 (Class 7) (cont.)**

---

**FRONT WHEEL (cont.)**

<b>1994-1990</b>	(W7R042T)	
Seal (Inner)	.....	710088[2]
Cone/Cup (Inner)	.....	H414245A-H414210[2]
Bearing Assembly (Outer)	.....	513047[2]
<b>1991</b>	(12,000 lb. Axle Early C6H042, C7H042, C7H064)	
Seal Viton (Inner)	.....	370212A <sup>57</sup>
Cone/Cup (Inner)	.....	JF7049A-JF7010[2]
Bearing Assembly (Outer)	.....	33208[2]
<b>1991-1990</b>	(9,000 lb. Axle C7D064)	
Seal (Inner)	.....	370018A[2] <sup>57</sup>
Cone/Cup (Inner)	.....	39581-39520[2]
Cone/Cup (Outer)	.....	26878-26820[2]
<b>1991-1990</b>	(7,000 lb. Axle F070, B6P042, C5D042, C6D042, C7D042, C7D064, P4T042, P6T042)	
Seal (Inner)	.....	8976S[2]
Cone/Cup (Inner)	.....	45284-45220[2]
Cone/Cup (Outer)	.....	2796-2720[2]
<b>1990</b>	(14,000 lb. Axle C6H042, C7H042, C7H064)	
Seal Viton (Inner)	.....	370212A <sup>57</sup>
Cone/Cup (Inner)	.....	JF7049A-JF7010[2]
Cone/Cup (Outer)	.....	JM205149-JM205110[2]
<b>1990</b>	(12,000 lb. Axle B6P042, C6D042, P6T042, S7T042)	
Seal (Inner)	.....	45282A[2]
Cone/Cup (Inner)	.....	HM212047-HM212011[2]
Cone/Cup (Outer)	.....	45282-45220[2]
<b>1990</b>	(5,000 lb. Axle F050, C5D042, C6D042, C7D042, P4T042)	
Seal (Inner)	.....	8975S[2]
Cone/Cup (Inner)	.....	3578A-3525[2]
Cone/Cup (Outer)	.....	15103S-15243[2]
<b>1990</b>	(5,500 lb. Axle F055, C5D042, C6D042, C7D042, P4T042)	
Seal (Inner)	.....	8975S[2]
Cone/Cup (Inner)	.....	3578A-3525[2]
Cone/Cup (Outer)	.....	15103S-15243[2]

**REAR WHEEL**

<b>1998-1997</b>	(Dana/Spicer S150S)(W6R042)	
Seal (Inner)	.....	370008A[2] <sup>57</sup>
Cone/Cup (Inner)	.....	33287-33462[2]
Cone/Cup (Outer)	.....	3982-3920[2]
<b>1997-1990</b>	(Eaton 21065 Axle)(B7T042, C6H042, C7H042)	
Seal (Inner)	.....	370003A[2] <sup>57</sup>
Cone/Cup (Inner)	.....	594A-592A[2]
Cone/Cup (Outer)	.....	580-572[2]
<b>1997-1990</b>	(Eaton 22065 Axle)(B7T042, C6H042, C7H042)	
Seal (Inner)	.....	370003A[2] <sup>57</sup>
Cone/Cup (Inner)	.....	594A-592A[2]
Cone/Cup (Outer)	.....	580-572[2]

**REAR WHEEL (cont.)**

<b>1997-1990</b>	(Eaton 23070 Axle)(B7T042, C6H042, C7H042)	
Seal (Inner)	.....	370003A[2] <sup>57</sup>
Cone/Cup (Inner)	.....	594A-592A[2]
Cone/Cup (Outer)	.....	580-572[2]
<b>1997-1990</b>	(Eaton 23085 Axle)(B7T042, C6H042, C7H042)	
Seal (Inner)	.....	370003A[2] <sup>57</sup>
Cone/Cup (Inner)	.....	594A-592A[2]
Cone/Cup (Outer)	.....	580-572[2]
<b>1997-1990</b>	(Eaton 23105 Axle)(B7T042, C6H042, C7H042)	
Seal (Inner)	.....	370023A[2] <sup>57</sup>
Cone/Cup (Inner)	.....	594A-592A[2]
Cone/Cup (Outer)	.....	47686-47620[2]
<b>1997-1990</b>	(Eaton 26085 Axle)(B7T042, C6H042, C7H042)	
Seal (Inner)	.....	370003A[2] <sup>57</sup>
Cone/Cup (Inner)	.....	594A-592A[2]
Cone/Cup (Outer)	.....	580-572[2]
<b>1997-1990</b>	(Eaton 15040 Axle)	
Seal (Inner)	.....	370008A[2] <sup>57</sup>
Cone/Cup (Inner)	.....	33287-33462[2]
Cone/Cup (Outer)	.....	3982-3920[2]
<b>1996-1991</b>	(Eaton 19050 Axle)(B7T042, P6S042)	
Seal (Inner)	.....	370024A[2] <sup>57</sup>
Cone/Cup (Inner)	.....	47686-47620[2]
Cone/Cup (Outer)	.....	39590-39520[2]
<b>1996-1990</b>	(Eaton 19050 Axle)(C6H042, C7H042)	
Seal (Inner)	.....	370023A[2] <sup>57</sup>
Cone/Cup (Inner)	.....	47686-47620[2]
Cone/Cup (Outer)	.....	39590-39520[2]
<b>1996-1990</b>	(Eaton 19055 Axle)(C6H042, C7H042)	
Seal (Inner)	.....	370023A[2] <sup>57</sup>
Cone/Cup (Inner)	.....	47686-47620[2]
Cone/Cup (Outer)	.....	39590-39520[2]
<b>1996-1990</b>	(Eaton DS341, DT341, DS402 Axle)	
Seal (Inner)	.....	370023A[2] <sup>57</sup>
Cone/Cup (Inner)	.....	594A-592A[2]
Cone/Cup (Outer)	.....	47686-47620[2]
<b>1996-1990</b>	(Rockwell 23160 Axle)	
Seal (Inner)	.....	370003A[2] <sup>57</sup>
Cone/Cup (Inner)	.....	594A-592A[2]
Cone/Cup (Outer)	.....	580-572[2]
<b>1996-1990</b>	(Rockwell SL100P, SQ100P Axle)	
Seal (Inner)	.....	370023A[2] <sup>57</sup>
Cone/Cup (Inner)	.....	594-592A[2]
Cone/Cup (Outer)	.....	47686-47620[2]
<b>1996-1990</b>	(W6R042)	
Seal (Inner)	.....	710085[2]
Bearing Assembly (Inner)	.....	32215[2]
Seal (Outer)	.....	710086[2]
Bearing Assembly (Outer)	.....	32213M[2]

<sup>57</sup>Oil Bath Seal



# Bearings and Seals

Mfg./Year	Model & Location	Part No	Mfg./Year	Model & Location	Part No
<b>GMC TRUCK - 1-1/2, 2, 2-1/2 TON - 400, 4000, 4500 (Class 4), 500, 5000, 5500 (Class 5), 6000, 6500 (Class 6), 7000, 7500 (Class 7) (cont.)</b>					

## REAR WHEEL (cont.)

<b>1994-1990</b>	W5S042	
Seal (Inner)	.....	710085[2]
Bearing Assembly (Inne	.....	32215[2]
Seal (Outer)	.....	710086[2]
Bearing Assembly		
(Outer)	.....	32213M[2]
<b>1994-1990</b>	(W7R042M)	
Bearing Assembly (Inne	.....	32216[2]
Bearing Assembly		
(Outer)	.....	32215[2]
<b>1994-1990</b>	(W7R042T)	
Seal (Inner)	.....	710089[2]
Bearing Assembly (Inne	.....	32219M[2]
Seal (Outer)	.....	710090[2]
Bearing Assembly		
(Outer)	.....	32218M[2]
<b>1994-1990</b>	(W7R042T)	
Seal (Inner)	.....	710089[2]
Bearing Assembly (Inne	.....	32219M[2]
Seal (Outer)	.....	710090[2]
Bearing Assembly		
(Outer)	.....	32218M[2]
<b>1993-1990</b>	(13,500 lb. H135 Axle)	
Seal (Inner)	.....	370046A[2] <sup>57</sup>
Cone/Cup (Inner)	.....	3984-3920[2]
Cone/Cup (Outer)	.....	28682-28622A[2]
<b>1993-1990</b>	(15,000 lb. H150, T150 Axle)	
Seal (Inner)	.....	370009A[2] <sup>57</sup>
Cone/Cup (Inner)	.....	33287-33472[2]
Cone/Cup (Outer)	.....	3982-3925[2]
<b>1992-1990</b>	(17,500 lb. H175, T175 Axle)	
Seal (Inner)	.....	370009A[2] <sup>57</sup>
Cone/Cup (Inner)	.....	495AX-493[2]
Cone/Cup (Outer)	.....	39590-39520[2]
<b>1992-1990</b>	(19,000 lb. Eaton 17121, 17221 Axle)	
Seal (Inner)	.....	370023A[2] <sup>57</sup>
Cone/Cup (Inner)	.....	47686-47620[2]
Cone/Cup (Outer)	.....	39590-39520[2]
<b>1990</b>	(Eaton 19050 Axle)	
Seal (Inner)	.....	370023A[2] <sup>57</sup>
Cone/Cup (Inner)	.....	47686-47620[2]
Cone/Cup (Outer)	.....	39590-39520[2]

## SINGLE REAR AXLE

### Differential Rebuild Kit

<b>1997-1990</b>	(Eaton 26085P, 26085T axle)	
Kit	.....	DRK72A
<b>1997-1990</b>	(Eaton 19050T, 19055D, 19055S, 19055T axle)	
Kit	.....	DRK23D
<b>1997-1990</b>	(Eaton 15040T axle)	
Kit	.....	DRK24
<b>1997-1990</b>	(Eaton 15101 axle)	
Kit	.....	DRK24
<b>1997-1990</b>	(Eaton 23221 axle)	
Kit	.....	DRK72A
<b>1994-1990</b>	(Dana/Spicer M185T, M190T, M220T axle)	
Kit	.....	DRK214

## SINGLE REAR AXLE (cont.)

### Differential Rebuild Kit (cont.)

<b>1991-1990</b>	(Eaton 17401 axle)	
Kit	.....	DRK23B
<b>1991-1990</b>	(Eaton 16121 axle)	
Kit	.....	DRK23B

### Differential

<b>1998-1990</b>	(Rockwell 23160 axle)	
Bearing Assembly	.....	32021X[2]
<b>1997-1990</b>	(Eaton 15040T axle)	
Cone/Cup (LH)	.....	498-493
Cone/Cup (RH)	.....	33275-33472
<b>1997-1990</b>	(Eaton 26085P, 26085T axle)(130537 case)	
Cone/Cup (LH)	.....	68462-68712
Cone/Cup (RH)	.....	42346-42584
<b>1997-1990</b>	(Eaton 26085P, 26085T axle)(27950 case)	
Cone/Cup (LH)	.....	68450-68712
Cone/Cup (RH)	.....	42346-42584
<b>1997-1990</b>	(Eaton 15040S axle)	
Cone/Cup (LH)	.....	3994-3920
Cone/Cup (RH)	.....	497-493
<b>1997-1990</b>	(Eaton 19050S axle)	
Cone/Cup (LH)	.....	3994-3920
Cone/Cup (RH)	.....	497-493
<b>1997-1990</b>	(Eaton 19050T, 19055D, 19055S, 19055T axle)	
Cone/Cup (LH)	.....	42381-42584
Cone/Cup (RH)	.....	495A-493
<b>1997-1990</b>	(Eaton 21065S, 23070S, 23105S axle)	
Cone/Cup (LH)	.....	598-592A
Cone/Cup (RH)	.....	497-493
<b>1997-1990</b>	(Eaton 21065T axle)	
Cone/Cup (LH)	.....	56425-56650
Cone/Cup (RH)	.....	497-493
<b>1997-1990</b>	(Eaton 23070P, 23070T axle)	
Cone/Cup (LH)	.....	56425-56650
Cone/Cup (RH)	.....	497-493
<b>1997-1990</b>	(Eaton 17201, 17221, 17421, 18221, 22221 axle)	
Cone/Cup (LH)	.....	56425-56650
Cone/Cup (RH)	.....	497-493
<b>1996-1990</b>	Isuzu (R077 axle)	
Bearing Assembly	.....	30214[2]
<b>1995-1990</b>	Isuzu (R065 axle)	
Cone/Cup	.....	3984-3920[2]
<b>1994-1990</b>	Isuzu (R094 axle)	
Bearing Assembly	.....	32216[2]
<b>1994-1990</b>	(Dana/Spicer M185T, M190S, M190T, M220T axle)	
Cone/Cup (LH)	.....	JM822049-JM822010
Cone/Cup (RH)	.....	JM716649-JM716610
<b>1992-1990</b>	(H110 axle)	
Cone/Cup	.....	395-394A[2]

**SINGLE REAR AXLE (cont.)**  
**Differential (cont.)**

<b>1991-1990</b>	(Eaton 17401 axle)	
	Cone/Cup (LH) .....	567-563
	Cone/Cup (RH) .....	3994-3920
<b>1991-1990</b>	(Eaton 16121 axle)	
	Cone/Cup (LH) .....	567-563
	Cone/Cup (RH) .....	3994-3920

**Pinion**

<b>1998-1990</b>	(Eaton 21065S axle)	
	Cone/Cup (Inner) .....	78215C-78551
	Seal (Outer) .....	9773R
	Cone/Cup (Outer) .....	55200C-55437
	Cylindrical Bearing Pilo .....	MUS1308UM
<b>1998-1990</b>	(Rockwell 23160 axle)	
	Cone/Cup (Inner) .....	9278-9220
	Seal (Outer) .....	417987N
	Cone/Cup (Outer) .....	HM813843-HM813810
<b>1998-1990</b>	(Eaton 19050T, 19055D, 19055S, 19055T)(2.375" pinion shaft)	
	Cone/Cup (Inner) .....	55175C-55437
	Seal (Outer) .....	475095N
	Cone/Cup (Outer) .....	55175C-55437
	Cylindrical Bearing Pilo .....	MUS1307UM
<b>1998-1990</b>	(Eaton 19050T, 19055D, 19055S, 19055T)(2.625" pinion shaft)	
	Cone/Cup (Inner) .....	55175C-55437
	Seal (Outer) .....	475095N
	Cone/Cup (Outer) .....	55175C-55437
	Cylindrical Bearing Pilo .....	MUS1307UM
<b>1998-1990</b>	(Eaton 23070P, 23070T axle)	
	Cone/Cup (Inner) .....	78215C-78551
	Seal (Outer) .....	712937
	Cone/Cup (Outer) .....	72212C-72487
	Cylindrical Bearing Pilo .....	MUB5207UM
<b>1998-1990</b>	(Eaton 23070S axle)	
	Cone/Cup (Inner) .....	H913842-H913810
	Seal (Outer) .....	712937
	Cone/Cup (Outer) .....	72212C-72487
	Cylindrical Bearing Pilo .....	MUS1308UM
<b>1998-1990</b>	(Eaton 23105S axle)	
	Cone/Cup (Inner) .....	H913842-H913810
	Seal (Outer) .....	712937
	Cone/Cup (Outer) .....	72212C-72487
	Cylindrical Bearing Pilo .....	MUS1308UM
<b>1998-1990</b>	(Eaton 21065T axle)	
	Cone/Cup (Inner) .....	72200C-72487
	Seal (Outer) .....	9773R
	Cone/Cup (Outer) .....	55200C-55437
	Cylindrical Bearing Pilo .....	MUS1307UM
<b>1998-1990</b>	(Eaton 23221, 23421, 26085P, 26085T axle)	
	Cone/Cup (Inner) .....	78215C-78551
	Seal (Outer) .....	712937
	Cone/Cup (Outer) .....	72212C-72487
	Cylindrical Bearing Pilo .....	MUS1308UM

**SINGLE REAR AXLE (cont.)**  
**Pinion (cont.)**

<b>1997-1990</b>	(Eaton 15040T axle)	
	Cone/Cup (Inner) .....	HM903249-HM903210
	Seal Kit (Outer) .....	722250S
	Cone/Cup (Outer) .....	HM903249-HM903210
	Cylindrical Bearing Pilo .....	MU1305TDM
<b>1997-1990</b>	(Eaton 15040S axle)	
	Cone/Cup (Inner) .....	55175C-55437
	Seal (Outer) .....	9773R
	Cone/Cup (Outer) .....	HM903249-HM903210
	Cylindrical Bearing Pilo .....	MUB1305UDM
<b>1996-1990</b>	(Eaton 19050S axle)	
	Cone/Cup (Inner) .....	72200C-72487
	Seal (Outer) .....	9773R
	Cone/Cup (Outer) .....	HM903249-HM903210
	Cylindrical Bearing Pilo .....	RUB1570UM
<b>1995-1990</b>	Isuzu (R065 axle)	
	Bearing Assembly (Inne .....	30310
	Seal (Outer) .....	710276
	Bearing Assembly (Outer) .....	30309M
<b>1995-1990</b>	Isuzu (R077 axle)	
	Bearing Assembly (Inne .....	30310
	Seal (Outer) .....	710276
	Bearing Assembly (Outer) .....	30309M
<b>1994-1990</b>	(Dana/Spicer M220T axle)	
	Cone/Cup (Inner) .....	72225C-72487
	Seal (Outer) .....	477163N
	Cone/Cup (Outer) .....	55200C-55437
	Cylindrical Bearing Pilo .....	MUS1308UM
<b>1994-1990</b>	Isuzu (R094 axle)	
	Bearing Assembly (Inne .....	30310
	Seal (Outer) .....	710275
	Bearing Assembly (Outer) .....	30311
<b>1994-1990</b>	Isuzu (R105 axle)	
	Bearing Assembly (Inne .....	30312
	Seal (Outer) .....	710275
	Cone/Cup (Outer) .....	580-572
<b>1991-1990</b>	(Eaton 17401 axle)(2.625" pinion shaft)	
	Cone/Cup (Inner) .....	HM903249-HM903210
	Seal (Outer) .....	712625
	Cone/Cup (Outer) .....	HM903249-HM903210
	Cylindrical Bearing Pilo .....	MUS1307UM
<b>1991-1990</b>	(Eaton 16121, 16221, 16802)(2.375" pinion shaft)	
	Cone/Cup (Inner) .....	HM903249-HM903210
	Seal (Outer) .....	712375
	Cone/Cup (Outer) .....	HM903249-HM903210
	Cylindrical Bearing Pilo .....	MUS1307UM
<b>1991-1990</b>	(Eaton 16121, 16221, 16802)(2.625" pinion shaft)	
	Cone/Cup (Inner) .....	HM903249-HM903210
	Seal (Outer) .....	712625
	Cone/Cup (Outer) .....	HM903249-HM903210
	Cylindrical Bearing Pilo .....	MUS1307UM

# Bearings and Seals

Mfg./Year    Model & Location    Part No    Mfg./Year    Model & Location    Part No

## **GMC TRUCK - 1-1/2, 2, 2-1/2 TON - 400, 4000, 4500 (Class 4), 500, 5000, 5500 (Class 5), 6000, 6500 (Class 6), 7000, 7500 (Class 7) (cont.)**

### **SINGLE REAR AXLE (cont.)**

#### **Pinion (cont.)**

**1991-1990** (Eaton 17401 axle)(2.375" pinion shaft)  
 Cone/Cup (Inner) ..... HM903249-HM903210  
 Seal (Outer) ..... 712375  
 Cone/Cup (Outer) ..... HM903249-HM903210  
 Cylindrical Bearing Pilo ..... MUS1307UM

### **TANDEM REAR AXLE - FRONTMOST AXLE**

#### **Differential Rebuild Kit**

**1997-1990** (Eaton DS341 axle)  
 Kit ..... DRK196  
**1997-1990** (Eaton DT341, DS402, DT402 axle)  
 Kit ..... DRK207

#### **Differential**

**1998-1990** (Eaton DS341 axle)  
 Cone/Cup (LH) ..... 497-493  
 Cone/Cup (RH) ..... 567-563  
**1998-1990** (Eaton DT341, DS402, DT402 axle)  
 Cone/Cup (LH) ..... 497-493  
 Cone/Cup (RH) ..... 56425-56650  
**1998-1990** (Rockwell SL100P, SQ100P axle)  
 Cone/Cup (LH) ..... JM716649-JM716610  
 Cone/Cup (RH) ..... JM716649-JM716610

#### **Pinion**

**1998-1990** (Rockwell SL100P, SQ100P axle)  
 Cone/Cup (Inner) ..... 72212C-72487  
 Cone/Cup (Outer) ..... 72212C-72487  
 Cylindrical Bearing Pilo ..... RU1570UM  
**1997-1990** (Eaton DS341 axle)  
 Cone/Cup (Inner) ..... 55200C-55437  
 Seal (Outer) ..... 9773R  
 Cone/Cup (Outer) ..... 55200C-55437  
 Cylindrical Bearing Pilo ..... MUS1307UM  
**1997-1990** (Eaton DT341, DS402, DT402 axle)  
 Cone/Cup (Inner) ..... 72218C-72487  
 Cone/Cup (Outer) ..... HM807049-HM807010  
 Cylindrical Bearing Pilo ..... MUS1307UM

### **TANDEM REAR AXLE - REARMOST AXLE**

#### **Differential Rebuild Kit**

**1998-1990** (Eaton DT341, DS402, DT402 axle)  
 Kit ..... DRK207  
**1996-1990** (Eaton DS341 axle)  
 Kit ..... DRK196

### **TANDEM REAR AXLE - REARMOST AXLE**

#### **Differential**

**1998-1990** (Eaton DS341 axle)  
 Cone/Cup (LH) ..... 497-493  
 Cone/Cup (RH) ..... 567-563  
**1998-1990** (Eaton DT341, DS402, DT402 axle)  
 Cone/Cup (LH) ..... 497-493  
 Cone/Cup (RH) ..... 56425-56650  
**1998-1990** (Rockwell SL100P, SL100Q axle)  
 Cone/Cup (LH) ..... JM716649-JM716610  
 Cone/Cup (RH) ..... JM716649-JM716610

#### **Pinion**

**1998-1990** (Eaton DS341 axle)  
 Cone/Cup (Inner) ..... 55200C-55437  
 Seal (Outer) ..... 9773R  
 Cone/Cup (Outer) ..... 55200C-55437  
 Cylindrical Bearing Pilo ..... MUS1307UM  
**1998-1990** (Eaton DT341, DS402, DT402 axle)  
 Cone/Cup (Inner) ..... 72218C-72487  
 Cone/Cup (Outer) ..... HM807049-HM807010  
 Cylindrical Bearing Pilo ..... MUS1307UM  
**1998-1990** (Rockwell SL100P, SL100Q axle)  
 Cone/Cup (Inner) ..... 72212C-72487  
 Seal (Outer) ..... 3905  
 Cone/Cup (Outer) ..... 72212C-72487  
 Cylindrical Bearing Pilo ..... RU1570UM

### **CLUTCH**

#### **Pilot Bearing**

**1997-1990** 350, 366, 427, 4 53  
 Ball Bearing ..... 205FF  
**1992-1990** (3208 Caterpillar Diesel )  
 Ball Bearing ..... 305DD  
**1992-1990** 8.2 L (Detroit Diesel)(2.44")  
 Ball Bearing ..... 305DD  
**1992-1990** 8.2 L (Detroit Diesel)(2.047")  
 Ball Bearing ..... 205FF

#### **Release Bearing**

**1997-1990** 366 (Spicer 13" Cl.)  
 Bearing Assembly ..... 614057  
**1997-1990** 427 (Spicer 13" Cl.)  
 Bearing Assembly ..... 614057  
**1994-1990** 6 Cyl. 6.5 L (Turbo Diesel)  
 Bearing Only ..... 613009  
**1992-1990** 8.2 L (Detroit Diesel)(Lipe flywheel)  
 Bearing Only ..... GE2505C  
**1992-1990** 8.2 L (Detroit Diesel)(flat flywheel)  
 Bearing Assembly ..... 614065  
**1992-1990** (w/o 292, 350, 8.2 L )  
 Bearing Assembly ..... 614024  
**1992-1990** 292, 350 (12" Cl.)  
 Bearing Assembly ..... 614018 <sup>42</sup>

Mfg./Year	Model & Location	Part No	Mfg./Year	Model & Location	Part No
<b>GMC TRUCK - 1-1/2, 2, 2-1/2 TON - 400, 4000, 4500 (Class 4), 500, 5000, 5500 (Class 5), 6000, 6500 (Class 6), 7000, 7500 (Class 7) (cont.)</b>					

### CLUTCH (cont.)

#### Release Bearing (cont.)

1990	427 (12" dual Disc Cl.)(Fuller Trans.)	
	Bearing Only	613007
1990	427 (12" dual Disc Cl.)(Spicer Trans.)	
	Bearing Assembly	614019
1990	350 (12" Cl.)	
	Bearing Assembly	614018 <sup>42</sup>

### CRANKSHAFT FRONT SEAL

#### 6 Cylinder

1996-1990	403/6.6L (Turbo Diesel)	
	Seal	3945
	Kwik Slv (Opt Rpr)	KWK99233
1995-1990	5785cc/5.8L (Turbo Diesel)	
	6494cc/6.5L (Diesel)	
	6494cc/6.5L (Turbo Diesel)	
	Seal Viton	710350
	Kwik Slv (Opt Rpr)	KWK99235

#### 8 Cylinder

1996-1990	366/6.0L, 427/7.0L	
	Seal	3945
	Kwik Slv (Opt Rpr)	KWK99233
1991-1990	500/8.2L (Diesel) 500/8.2L (Turbo Diesel)	
	Seal	473476
	Kwik Slv (Opt Rpr)	KWK99250
1990	636/10.4L (Diesel) 636/10.4L (Turbo Diesel)	
	Seal	39802
	Kwik Slv (Opt Rpr)	KWK99287

### CRANKSHAFT FRONT SEAL (cont.)

#### 8 Cylinder (cont.)

1990	636/10.4L Diesel (2.375" shaft)	
	Seal	480988H
	Kwik Slv (Opt Rpr)	KWK99237

### CRANKSHAFT REAR SEAL

#### 6 Cylinder

1996-1990	403/6.6L (Turbo Diesel)	
	Seal Viton	2261
	Kwik Slv (Opt Rpr)	KWK99435
1995-1990	5785cc/5.8L (Turbo Diesel)	
	6494cc/6.5L (Diesel)	
	6494cc/6.5L (Turbo Diesel)	
	Seal Viton	710349
	Kwik Slv (Opt Rpr)	KWK99413

#### 8 Cylinder

1996-1990	366/6.0L, 427/7.0L	
	Seal Viton	2261
	Kwik Slv (Opt Rpr)	KWK99435
1991-1990	500/8.2L (Diesel) 500/8.2L (Turbo Diesel)	
	Seal	455956H
1990	636/10.4L (Diesel) 636/10.4L (Turbo Diesel)	
	Seal	39801
	Kwik Slv (Opt Rpr)	KWK99499

## GRUMMAN - rear drive - Postal Vehicle

### FRONT WHEEL

1995-1990	(2WD)	
	Seal (Inner)	4739[2]
	Set (Inner)	SET6[2]
	Set (Outer)	SET34[2]

### REAR WHEEL

1994-1990		
	Cylindrical Bearing	513023[2]
	Kit	TRP57509[2] <sup>19</sup>

### REAR AXLE

#### Differential Rebuild Kit

1995-1990		
	Kit	DRK320

<sup>19</sup>Opt. Axle Rpr Brg. Replaces O.E. Brg & Seal

<sup>42</sup>Sealed Self-Aligning Brg

# Bearings and Seals

Mfg./Year	Model & Location	Part No	Mfg./Year	Model & Location	Part No
-----------	------------------	---------	-----------	------------------	---------

## HINO TRUCK - FA, FB Series

### FRONT WHEEL

<b>1991-1990</b>		
Seal (Inner)	.....	710294[2]
Bearing Assembly (Inne	.....	32210M[2]
Bearing Assembly		
(Outer)	.....	32207M[2]

### REAR WHEEL

<b>1991-1990</b>		
Seal (Inner)	.....	710295[2]
Cone/Cup (Inner)	.....	29586-29522[2]
Seal (Outer)	.....	710296[2]
Cone/Cup (Outer)	.....	28680-28622[2]

### CLUTCH

#### Pilot Bearing

<b>1991-1990</b>	4 Cyl. 3.8 (Turbo Diesel)	
Ball Bearing	.....	203FF

#### Release Bearing

<b>1991-1990</b>	4 Cyl. 3.8 (Turbo Diesel)	
Bearing Only	.....	613013

## HINO TRUCK - FD, FE, FF, FG, GC, SF, SG Series

### FRONT WHEEL

<b>1993-1990</b>	FD, FD, GC Ser.	
Seal (Inner)	.....	710371[2]
Bearing Assembly (Inne	.....	30310[2]
Bearing Assembly		
(Outer)	.....	32307[2]
<b>1993-1990</b>	FE, FF, SF, SG Ser.	
Seal (Inner)	.....	710368[2]
Bearing Assembly (Inne	.....	30313[2]
Bearing Assembly		
(Outer)	.....	30310[2]

### REAR WHEEL

<b>1993-1990</b>	FE, FF, FG, SF, SG Ser.	
Seal (Inner)	.....	710369[2]
Bearing Assembly (Inne	.....	32215[2]
Bearing Assembly		
(Outer)	.....	32217M[2]
<b>1991-1990</b>	FD, GC Ser.	
Bearing Assembly (Inne	.....	32215[2]
Bearing Assembly		
(Outer)	.....	32213M[2]

### REAR AXLE

#### Differential

<b>1995-1990</b>	(SS17 3 axle)	
Cone/Cup	.....	JM515649-JM515610[2]
<b>1991-1990</b>	(SS13, SS15 Ser. axle)	
Bearing Assembly	.....	32214[2]

### Pinion

<b>1995-1990</b>	(SS13, SS17 Ser. axle)	
Bearing Assembly (Inne	.....	30311
Bearing Assembly		
(Outer)	.....	30310
<b>1991-1990</b>	(SS15 Ser. axle)	
Bearing Assembly (Inne	.....	30310
Bearing Assembly		
(Outer)	.....	30309M

### CLUTCH

#### Pilot Bearing

<b>1992-1990</b>	6 Cyl. 6.0, 6.7 (Diesel)	
Ball Bearing	.....	204FF
<b>1992-1990</b>	6 Cyl. 6.5, 6.7 (Turbo Diesel)	
Ball Bearing	.....	204FF

#### Release Bearing

<b>1992-1990</b>	6 Cyl. 6.5 and 6.7	
Bearing Only	.....	613016

### DRIVESHAFT SUPPORT

<b>1992-1990</b>	(1.77" 45mm Brg. I.D.)	
Ball Bearing	.....	209BB

## HONDA - Accord

### FRONT WHEEL

<b>2005-2003</b>		
Ball Bearing	.....	510073[2]
<b>2002-1998</b>		
Ball Bearing	.....	510050[2]
<b>1997-1995</b>	6 Cyl.	
Bearing Module	.....	510038[2]
<b>1997-1990</b>	4 Cyl.	
Bearing Module	.....	513098[2]

### FRONT WHEEL (cont.)

<b>1990</b>	LXI	
Hub Assembly	.....	HA594460K[2]

### REAR WHEEL

<b>2005-2003</b>	Accord	
Hub Assembly	.....	512188[2]
<b>2002-1998</b>	4 Cyl. (ABS)(Drum Brks.)	
Hub Assembly	.....	512177[2]

Mfg./Year	Model & Location	Part No	Mfg./Year	Model & Location	Part No
-----------	------------------	---------	-----------	------------------	---------

**HONDA - Accord (cont.)**

**REAR WHEEL (cont.)**

2002-1998	4 Cyl. (Disc Brks.)	
	Hub Assembly .....	512178[2]
2002-1998	4 Cyl. (w/o ABS)(Drum Brks.)	
	Hub Assembly .....	512176[2]
2002-1998	6 Cyl. (Disc Brks.)	
	Hub Assembly .....	512179[2]
1997-1995	4 Cyl. (Disc Brks.)	
	Hub Assembly .....	512020[2]
1997-1995	4 Cyl. (Drum Brks.)	
	Hub Assembly .....	513080[2]
1997-1995	6 Cyl. (Disc Brks.)	
	Hub Assembly .....	512172[2]
1997-1991	(Drum Brks.)(Wagon)	
	Hub Assembly .....	512122[2]
1994	(ABS)(Disc Brks.)(Exc. Wagon)	
	Hub Assembly .....	512020[2]
1994	(Disc Brks.)(Wagon)	
	Hub Assembly .....	512172[2]
1994-1990	(Drum Brks.)(Exc. Wagon)	
	Hub Assembly .....	513080[2]
1993-1992	(Disc Brks.)(Exc. Wagon)	
	Hub Assembly .....	513081[2]
1993-1991	(Disc Brks.)(Wagon)	
	Hub Assembly .....	512032[2]
1991-1990	(ABS)(Disc Brks.)	
	Hub Assembly .....	513081[2]
1991-1990	(w/o ABS)(Disc Brks.)	
	Hub Assembly .....	513080[2]

**CLUTCH**

**Release Bearing**

2002-1990	
	Bearing Assembly .....
	614072

**4-SPEED AUTOMATIC TRANSAXLE**

**Differential**

2000-1990	
	Ball Bearing .....
	208[2]

**Torque Converter**

2002-1990	
	Seal .....
	350609

**Input Shaft**

2002-1998	
	Seal .....
	220918

**Output Shaft**

2002-1998	4 Cyl.	
	Seal Viton (LH) .....	224026
	Kwik Slv (Opt Rpr) (LH) .....	KWK99157
	Seal (RH) .....	224066
	Kwik Slv (Opt Rpr) (RH) .....	KWK99157
2002-1998	6 Cyl.	
	Seal (LH) .....	710199
	Kwik Slv (Opt Rpr) (LH) .....	KWK99076
	Seal Viton (RH) .....	224026
	Kwik Slv (Opt Rpr) (RH) .....	KWK99157

**4-SPEED AUTOMATIC TRANSAXLE**

**(cont.)**

**Output Shaft (cont.)**

1997-1995	6 Cyl.	
	Seal (LH) .....	712551
	Kwik Slv (Opt Rpr) (LH) .....	KWK99157
	Seal (RH) .....	224066
	Kwik Slv (Opt Rpr) (RH) .....	KWK99157
1997-1990	4 Cyl.	
	Seal Viton .....	224026[2]
	Kwik Slv (Opt Rpr) .....	KWK99157[2]

**Selector Shaft Seal/Man. Shaft**

2000-1990	
	Seal .....
	221207
	Kwik Slv (Opt Rpr) .....
	KWK99049

**5-SPEED MANUAL TRANSAXLE**

**Input Shaft**

2002-1994	
	Seal .....
	222830
	Kwik Slv (Opt Rpr) .....
	KWK99111
1993-1990	
	Seal Viton .....
	222742
	Kwik Slv (Opt Rpr) .....
	KWK99106

**Output Shaft**

2002-1994	
	Seal (LH) .....
	710315
	Kwik Slv (Opt Rpr) (LH) .....
	KWK99139
	Seal (RH) .....
	3459S
	Kwik Slv (Opt Rpr) (RH) .....
	KWK99157
1993-1990	
	Seal (LH) .....
	2007N
	Kwik Slv (Opt Rpr) (LH) .....
	KWK99139
	Seal (RH) .....
	3459S
	Kwik Slv (Opt Rpr) (RH) .....
	KWK99157

**Selector Shaft Seal/Man. Shaft**

2002-1990	
	Seal .....
	221607

**ALTERNATOR**

2000-1990	(Nippondenso)	
	Ball Bearing (Drive End) .....	203FF
	Ball Bearing (Rear End) .....	201CC
1998-1990	Mitsubishi	
	Ball Bearing (Drive End) .....	303CC
	Ball Bearing (Rear End) .....	201CC

**OIL PUMP**

**4 Cylinder**

1997-1990	
	Seal Viton .....
	712009
	Kwik Slv (Opt Rpr) .....
	KWK99106

# Bearings and Seals

Mfg./Year	Model & Location	Part No	Mfg./Year	Model & Location	Part No
-----------	------------------	---------	-----------	------------------	---------

## **HONDA - Accord (cont.)**

### **OIL PUMP**

#### **6 Cylinder**

2002-1995  
Seal ..... 711181

### **CAMSHAFT SEAL**

#### **4 Cylinder**

2002-1990  
Seal ..... 712008  
Kwik Slv (Opt Rpr) .....KWK99111

#### **6 Cylinder**

2002-1998 3.0L  
Seal ..... 710451[2]  
Kwik Slv (Opt Rpr) .....KWK99147[2]  
1997-1995 2.7L  
Seal Viton ..... 713771[2]  
Kwik Slv (Opt Rpr) .....KWK99139[2]

### **CRANKSHAFT FRONT SEAL**

#### **4 Cylinder**

2000-1990  
Seal ..... 224015  
Kwik Slv (Opt Rpr) .....KWK99157

### **CRANKSHAFT FRONT SEAL**

#### **6 Cylinder**

2002-1995  
Seal ..... 1181  
Kwik Slv (Opt Rpr) .....KWK99162

### **CRANKSHAFT REAR SEAL**

#### **4 Cylinder**

2002-1999  
Seal ..... 228015  
Kwik Slv (Opt Rpr) .....KWK99315  
1998-1990  
Seal ..... 228015  
Kwik Slv (Opt Rpr) .....KWK99315

#### **6 Cylinder**

2002-1995  
Seal Viton ..... 228008  
Kwik Slv (Opt Rpr) .....KWK99315

## **HONDA - Civic, Civic CVCC, Civic Hybrid**

### **FRONT WHEEL**

2005-2004 SI  
Ball Bearing ..... 510050[2]  
2005-2001 DX, EX, HX, LX, Hybrid  
Ball Bearing ..... 510030[2]  
2000-1992 DX, HX (ABS)  
Ball Bearing ..... 510015[2]  
2000-1992 DX, HX (w/o ABS)  
Ball Bearing ..... 510015[2]  
2000-1992 EX, Si (ABS & w/o ABS)  
Ball Bearing ..... 510030[2]  
1991-1990  
Ball Bearing ..... 513024[2]

### **REAR WHEEL**

2005-2004 SI (ABS)  
Hub Assembly ..... HA590005[2]<sup>25</sup>  
2005-2001 DX, HX, LX (w/o ABS)  
Hub Assembly ..... 512174[2]  
2005-2001 EX, Hybrid (ABS)  
Hub Assembly ..... 512175[2]  
2003-2002 SI (ABS)  
Hub Assembly ..... HA590009[2]<sup>25</sup>  
2000-1992 (ABS)(Drum Brks.)  
Hub Assembly ..... 513105[2]  
2000-1992 (Disc Brks.)  
Hub Assembly ..... 512034[2]  
2000-1992 (w/o ABS)(Drum Brks.)  
Hub Assembly ..... 513035[2]  
1991-1990 (2 WD)(Wagon)  
Hub Assembly ..... 513033[2]

### **REAR WHEEL (cont.)**

1991-1990 Wagon (4WD)  
Set ..... SET35[2]  
1991-1990 (w/o 4WD)  
Hub Assembly ..... 513035[2]

### **REAR AXLE**

#### **Differential**

1991-1990 Wagon (4WD)  
Seal ..... 710110[2]  
Ball Bearing ..... 208[2]

#### **Pinion**

1991-1990 Wagon (4WD)  
Bearing Assembly (Inne ..... 32008XM  
Seal (Outer) ..... 223843  
Bearing Assembly  
(Outer) ..... 32306  
Kwik Slv (Opt Rpr) .....KWK99147

### **TRANSMISSION REBUILD KIT**

2000-1992 Civic  
Kit ..... TRKH150

**CLUTCH**

**Pilot Bearing**

2002-1990  
Ball Bearing ..... 102CC

**Release Bearing**

2003 Civic Hybrid  
Bearing Assembly ..... 614122  
2002-2001  
Bearing Assembly ..... 614176  
2000-1992  
Bearing Assembly ..... 614122  
1991-1990 1.6, (2WD)  
Bearing Assembly ..... 614146  
1991-1990 1.6L, (4WD)  
Bearing Assembly ..... 614031  
1991-1990 1.5 L  
Bearing Assembly ..... 614146

**4-SPEED AUTOMATIC TRANSAXLE**

**Differential**

2002-2001 (MYLA)  
Ball Bearing ..... 208S[2]  
2000-1990  
Ball Bearing ..... 208[2]

**Torque Convertor**

2002-1990  
Seal ..... 350609

**Input Shaft**

2002-2001 (MYLA)  
Ball Bearing ..... 305AG

**Output Shaft**

2002-1996  
Seal (LH) ..... 710314  
Kwik Slv (Opt Rpr) (LH) ..... KWK99139  
Seal (RH) ..... 1147  
Kwik Slv (Opt Rpr) (RH) ..... KWK99139  
1995-1990  
Seal (LH) ..... 223543  
Kwik Slv (Opt Rpr) (LH) ..... KWK99139  
Seal (RH) ..... 1147  
Kwik Slv (Opt Rpr) (RH) ..... KWK99139

**Selector Shaft Seal/Man. Shaft**

2002-1990  
Seal ..... 221207  
Kwik Slv (Opt Rpr) ..... KWK99049

**5-SPEED MANUAL TRANSAXLE**

**Differential**

2002-1996  
Ball Bearing ..... 208S[2]  
1997-1990  
Ball Bearing ..... 207[2]

**5-SPEED MANUAL TRANSAXLE**

**Input Shaft**

2002-1990  
Seal Viton ..... 222742  
Kwik Slv (Opt Rpr) ..... KWK99106

**Output Shaft**

2002-1990  
Seal (LH) ..... 710315  
Kwik Slv (Opt Rpr) (LH) ..... KWK99139  
Seal (RH) ..... 4901  
Kwik Slv (Opt Rpr) (RH) ..... KWK99139

**Selector Shaft Seal/Man. Shaft**

2002-1990  
Seal ..... 221607

**ALTERNATOR**

1993-1990 Mitsubishi  
Ball Bearing (Drive End) ..... 303CC  
Ball Bearing (Rear End) ..... 201CC

**CAMSHAFT SEAL**

**4 Cylinder**

2002-1990  
Seal ..... 320595  
2000-1999 1595cc/1.6L (DOHC)  
Seal ..... 1989  
Seal

**CRANKSHAFT FRONT SEAL**

**4 Cylinder**

2000-1990  
Seal ..... 710332  
Seal Viton Opt ..... 1121  
Kwik Slv (Opt Rpr) ..... KWK99125

**CRANKSHAFT REAR SEAL**

**4 Cylinder**

2003-2001 1668cc/1.7L  
Seal ..... 320595  
2000-1990 1.6L  
Seal ..... 228015



# Bearings and Seals

Mfg./Year    Model & Location    Part No    Mfg./Year    Model & Location    Part No

## HONDA - CRX

### FRONT WHEEL

1991-1990  
Ball Bearing ..... 513024[2]

### REAR WHEEL

1991-1990  
Hub Assembly ..... 513035[2]

### CLUTCH

#### Pilot Bearing

1991-1990  
Ball Bearing ..... 102CC

#### Release Bearing

1991-1990  
Bearing Assembly ..... 614077

### 4-SPEED AUTOMATIC TRANSAXLE

#### Differential

1991-1990  
Ball Bearing ..... 208[2]

#### Torque Convertor

1991-1990  
Seal ..... 350609

#### Output Shaft

1991-1990  
Seal (LH) ..... 4901  
Kwik Slv (Opt Rpr) (LH) ..... KWK99139  
Seal (RH) ..... 1147  
Kwik Slv (Opt Rpr) (RH) ..... KWK99139

#### Selector Shaft Seal/Man. Shaft

1991-1990  
Seal ..... 221207  
Kwik Slv (Opt Rpr) ..... KWK99049

### 5-SPEED MANUAL TRANSAXLE

#### Differential

1991-1990  
Ball Bearing (LH) ..... 207  
Ball Bearing (RH) ..... 208

#### Input Shaft

1991-1990  
Seal Viton ..... 222742  
Kwik Slv (Opt Rpr) ..... KWK99106

### 5-SPEED MANUAL TRANSAXLE

#### Output Shaft

1991-1990 1.6L  
Seal (LH) ..... 224025  
Kwik Slv (Opt Rpr) (LH) ..... KWK99157  
Seal (RH) ..... 4901  
Kwik Slv (Opt Rpr) (RH) ..... KWK99139  
1991-1990 1.5L  
Seal (LH) ..... 2007N  
Kwik Slv (Opt Rpr) (LH) ..... KWK99139  
Seal (RH) ..... 4901  
Kwik Slv (Opt Rpr) (RH) ..... KWK99139

#### Selector Shaft Seal/Man. Shaft

1991-1990  
Seal ..... 710243  
Kwik Slv (Opt Rpr) ..... KWK99058

### ALTERNATOR

1991-1990 Mitsubishi  
Ball Bearing (Drive End) ..... 303CC  
Ball Bearing (Rear End) ..... 201CC

### CAMSHAFT SEAL

#### 4 Cylinder

1991-1990 1.6L  
Seal ..... 320595  
Kwik Slv (Opt Rpr) ..... KWK99112  
1991-1990 1.5L  
Seal ..... 320595  
Kwik Slv (Opt Rpr) ..... KWK99112

### CRANKSHAFT FRONT SEAL

#### 4 Cylinder

1991-1990 1.6L  
Seal ..... 710332  
Seal Viton Opt ..... 1121  
Kwik Slv (Opt Rpr) ..... KWK99125  
1991-1990 1.5L  
Seal ..... 710332  
Seal Viton Opt ..... 1121  
Kwik Slv (Opt Rpr) ..... KWK99125

### CRANKSHAFT REAR SEAL

#### 4 Cylinder

1991-1990 1.6L  
Seal ..... 228015  
1991-1990 1.5L  
Seal ..... 228015

Mfg./Year	Model & Location	Part No	Mfg./Year	Model & Location	Part No
-----------	------------------	---------	-----------	------------------	---------

## HONDA - Del Sol

### FRONT WHEEL

<b>1997-1994</b> (ABS)	
Ball Bearing .....	510030[2]
<b>1997-1993</b> (w/o ABS)	
Ball Bearing .....	510015[2]

### REAR WHEEL

<b>1997-1995</b> (ABS)(Disc Brks.)	
Hub Assembly .....	513105[2]
<b>1997-1995</b> (w/o ABS)(Disc Brks.)	
Hub Assembly .....	512034[2]
<b>1997-1993</b> (Drum Brks.)	
Hub Assembly .....	513035[2]
<b>1994-1993</b> (Disc Brks.)	
Hub Assembly .....	512034[2]

### CLUTCH

#### Pilot Bearing

<b>1997-1993</b>	
Ball Bearing .....	102CC

#### Release Bearing

<b>1997-1993</b>	
Bearing Assembly .....	614122

### 4-SPEED AUTOMATIC TRANSAXLE

#### Differential

<b>1997-1993</b>	
Ball Bearing .....	208[2]

#### Torque Convertor

<b>1997-1993</b>	
Seal .....	350609

#### Output Shaft

<b>1997-1993</b>	
Seal (LH) .....	223543
Kwik Slv (Opt Rpr) (LH) .....	KWK99139
Seal (RH) .....	1147
Kwik Slv (Opt Rpr) (RH) .....	KWK99139

#### Selector Shaft Seal/Man. Shaft

<b>1997-1993</b>	
Seal .....	221207
Kwik Slv (Opt Rpr) .....	KWK99049

### 5-SPEED MANUAL TRANSAXLE

#### Differential

<b>1997-1993</b>	
Ball Bearing .....	207[2]

#### Input Shaft

<b>1997-1993</b>	
Seal Viton .....	222742
Kwik Slv (Opt Rpr) .....	KWK99106

### 5-SPEED MANUAL TRANSAXLE

#### Output Shaft

<b>1997-1993</b> (V TEC)	
Seal (LH) .....	2007N
Kwik Slv (Opt Rpr) (LH) .....	KWK99139
Seal (RH) .....	224045
Kwik Slv (Opt Rpr) (RH) .....	KWK99157
<b>1997-1993</b> S, SI	
Seal (LH) .....	2007N
Kwik Slv (Opt Rpr) (LH) .....	KWK99139
Seal (RH) .....	4901
Kwik Slv (Opt Rpr) (RH) .....	KWK99139

#### Selector Shaft Seal/Man. Shaft

<b>1997-1993</b>	
Seal .....	221607

### ALTERNATOR

<b>1997-1993</b> Mitsubishi	
Ball Bearing (Drive End) .....	303CC

### CAMSHAFT SEAL

#### 4 Cylinder

<b>1997-1993</b>	
Seal .....	320595

### CRANKSHAFT FRONT SEAL

#### 4 Cylinder

<b>1997-1993</b>	
Seal .....	710332
Seal Viton Opt .....	1121
Kwik Slv (Opt Rpr) .....	KWK99123

### CRANKSHAFT REAR SEAL

#### 4 Cylinder

<b>1997-1993</b>	
Seal .....	228015

# Bearings and Seals

Mfg./Year	Model & Location	Part No	Mfg./Year	Model & Location	Part No
<b>HONDA - Insight</b>					
<b>FRONT WHEEL</b>			<b>CLUTCH</b>		
2005-2000			<b>Release Bearing</b>		
	Hub Assembly .....	513161[2]	2003-2000		
<b>REAR WHEEL</b>				Bearing Assembly .....	614122
2006-2000 (ABS)					
	Hub Assembly .....	HA590008[2] <sup>25</sup>			

<b>HONDA - Prelude</b>					
<b>FRONT WHEEL</b>			<b>4-SPEED AUTOMATIC TRANSAXLE</b>		
2001-1997			<b>Output Shaft</b>		
	Ball Bearing .....	510039[2]	2001-1992		
1996-1992				Seal (LH) .....	224025
	Ball Bearing .....	513052[2]		Kwik Slv (Opt Rpr) .....	KWK99157
1991-1990				Seal (RH) .....	224066
	Ball Bearing .....	513241[2]		Kwik Slv (Opt Rpr) .....	KWK99157
<b>REAR WHEEL</b>			1991-1990		
2001-1997				Seal (LH) .....	2007N
	Hub Assembly .....	512144[2]		Kwik Slv (Opt Rpr) .....	KWK99139
1996-1992 (ABS)				Seal (RH) .....	224066
	Hub Assembly .....	512242[2] <sup>25</sup>	<b>Selector Shaft Seal/Man. Shaft</b>		
1996-1992 (w/o ABS)			2001-1990		
	Hub Assembly .....	512022[2]		Seal .....	221207
1991-1990				Kwik Slv (Opt Rpr) .....	KWK99049
	Ball Bearing .....	513182[2]	<b>5-SPEED MANUAL TRANSAXLE</b>		
<b>CLUTCH</b>			<b>Input Shaft</b>		
<b>Release Bearing</b>			2001-1997 (SH)		
2001-1990				Seal .....	224460
	Bearing Assembly .....	614072		Kwik Slv (Opt Rpr) .....	KWK99170
<b>4-SPEED AUTOMATIC TRANSAXLE</b>			2001-1997 Base		
<b>Differential</b>				Seal .....	2007N
2001-1997				Kwik Slv (Opt Rpr) .....	KWK99139
	Bearing Assembly (LH) .....	30208M	1996-1990		
	Cone/Cup (RH) .....	11157X-11300		Seal .....	222830
1996-1992			<b>Output Shaft</b>		
	Bearing Assembly (LH) .....	33108	2001-1997 (SH)		
	Bearing Assembly (RH) .....	32008XM		Seal (LH) .....	224460
1991-1990				Kwik Slv (Opt Rpr) (LH) .....	KWK99139
	Bearing Assembly (LH) .....	30208M		Seal (RH) .....	3459S
	Bearing Assembly (RH) .....	32010X		Kwik Slv (Opt Rpr) (RH) .....	KWK99157
<b>Torque Converter</b>			2001-1997 Base		
2001-1990				Seal (LH) .....	2007N
	Seal .....	350609		Kwik Slv (Opt Rpr) (LH) .....	KWK99139
				Seal (RH) .....	3459S
				Kwik Slv (Opt Rpr) (RH) .....	KWK99157
			1996-1990		
				Seal (LH) .....	2007N
				Kwik Slv (Opt Rpr) (LH) .....	KWK99139
				Seal (RH) .....	3459S
				Kwik Slv (Opt Rpr) (RH) .....	KWK99157

Mfg./Year	Model & Location	Part No	Mfg./Year	Model & Location	Part No
-----------	------------------	---------	-----------	------------------	---------

**HONDA - Prelude (cont.)**

**5-SPEED MANUAL TRANSAXLE**  
**Selector Shaft Seal/Man. Shaft**  
 1991-1990  
 Seal ..... 221607

**CAMSHAFT SEAL**  
**4 Cylinder**  
 2001-1993 2.2L VTEC  
 Seal ..... 712008  
 Kwik Slv (Opt Rpr) .....KWK99111  
 1996-1992 2.2L (SOHC)  
 Seal ..... 712008  
 Kwik Slv (Opt Rpr) .....KWK99111  
 1996-1992 2.3L (DOHC)  
 Seal ..... 712008  
 Kwik Slv (Opt Rpr) .....KWK99111

**CRANKSHAFT FRONT SEAL**  
**4 Cylinder**  
 1996-1992  
 Seal ..... 224015  
 Kwik Slv (Opt Rpr) .....KWK99157  
 1991-1990 2.1L  
 Seal Viton ..... 1120S  
 Kwik Slv (Opt Rpr) .....KWK99147

**CRANKSHAFT FRONT SEAL (cont.)**  
**4 Cylinder (cont.)**  
 1991-1990 2.0L (SOHC)(DOHC)  
 Seal Viton ..... 1120S  
 Kwik Slv (Opt Rpr) .....KWK99147

**CRANKSHAFT REAR SEAL**  
**4 Cylinder**  
 2001-1993 2.2L VTEC  
 Seal ..... 228015  
 Kwik Slv (Opt Rpr) .....KWK99315  
 1996-1992 2.2L (SOHC)  
 Seal ..... 228015  
 Kwik Slv (Opt Rpr) .....KWK99315  
 1996-1992 2.3L (DOHC)  
 Seal ..... 228015  
 Kwik Slv (Opt Rpr) .....KWK99315  
 1991-1990 2.1L (DOHC)  
 Seal ..... 228015  
 Kwik Slv (Opt Rpr) .....KWK99315  
 1990 2.0L (SOHC)(DOHC)  
 Seal ..... 228015  
 Kwik Slv (Opt Rpr) .....KWK99315

**HONDA - S2000**

**FRONT WHEEL**  
 2005-2000  
 Ball Bearing ..... 510039[2]

**REAR WHEEL**  
 2005-2000  
 Ball Bearing ..... 510039[2]

**6-SPEED MANUAL TRANSMISSION**  
**Front Input Shaft**  
 2002-2000  
 Seal ..... 710157

**6-SPEED MANUAL TRANSMISSION**  
**Selector Shaft Seal/Man. Shaft**  
 2002-2000  
 Seal ..... 710243

**CRANKSHAFT FRONT SEAL**  
**4 Cylinder**  
 2002-2000  
 Seal ..... 710159

**CRANKSHAFT REAR SEAL**  
**4 Cylinder**  
 2003-2000 2.0L  
 Seal Viton ..... 228008

**HONDA TRUCK - MINIVAN, SUV - CR-V**

**FRONT WHEEL**  
 2005-2002 EX  
 Ball Bearing ..... 510074[2]  
 2005-2002 LX  
 Ball Bearing ..... 510039[2]  
 2001-1997  
 Ball Bearing ..... 510039[2]

**REAR WHEEL**  
 2005-2002 EX  
 Ball Bearing ..... 511029[2]  
 2005-2002 LX  
 Ball Bearing ..... 510015[2]  
 2001-1997  
 Hub Assembly ..... HA592210[2]

# Bearings and Seals

Mfg./Year	Model & Location	Part No	Mfg./Year	Model & Location	Part No
-----------	------------------	---------	-----------	------------------	---------

## HONDA TRUCK - MINIVAN, SUV - CR-V (cont.)

### TRANSMISSION REBUILD KIT

2002-1997 (SBXM)  
 Kit ..... TRKFH340

### CLUTCH - 4 CYLINDER

#### Pilot Bearing

2001-1997  
 Ball Bearing ..... 102CC

#### Release Bearing

2001-1997  
 Bearing Assembly ..... 614072

### 4-SPEED AUTOMATIC TRANSAXLE

#### Differential

2001-1998 (2WD)  
 Ball Bearing ..... 208  
 2001-1997 (4WD)  
 Ball Bearing ..... 208

#### Torque Convertor

2001-1997  
 Seal ..... 350609

#### Output Shaft

2001-1997  
 Seal (LH) ..... 2007N  
 Kwik Slv (Opt Rpr) (LH) ..... KWK99139  
 Seal (RH) ..... 1036  
 Kwik Slv (Opt Rpr) (RH) ..... KWK99157

#### Selector Shaft Seal/Man. Shaft

2001-1997  
 Seal ..... 8792S

### 5-SPEED MANUAL TRANSAXLE

#### Differential

2001-1999  
 Bearing Assembly (RH) ..... 32008XM  
 1998  
 Bearing Assembly (RH) ..... 32008XM

### 5-SPEED MANUAL TRANSAXLE

#### Input Shaft

2001-1998  
 Seal ..... 222830  
 Kwik Slv (Opt Rpr) ..... KWK99111

#### Output Shaft

2001-1998  
 Seal (LH) ..... 2007N  
 Kwik Slv (Opt Rpr) (LH) ..... KWK99139  
 Seal (RH) ..... 3459S  
 Kwik Slv (Opt Rpr) (RH) ..... KWK99157

### CAMSHAFT SEAL

#### 4 Cylinder

2001-1997  
 Seal ..... 1990[2]

### CRANKSHAFT FRONT SEAL

#### 4 Cylinder

2001-1997 1972cc/2.0L  
 Seal ..... 223802

### CRANKSHAFT REAR SEAL

#### 4 Cylinder

2003-2002 2.4L  
 Seal Viton ..... 228008  
 2001-1997 1972cc/2.0L  
 Seal ..... 228015

## HONDA TRUCK - MINIVAN, SUV - Element

### FRONT WHEEL

2006-2003 (ABS)  
 Ball Bearing ..... 510074[2]  
 2006-2003 (w/o ABS)  
 Ball Bearing ..... 510039[2]

### REAR WHEEL

2006-2004 DX, LX  
 Bearing Module ..... BM500000[2]<sup>25</sup>  
 2006-2004 EX  
 Bearing Module ..... BM500003[2]<sup>25</sup>

### REAR WHEEL (cont.)

2003 DX  
 Bearing Module ..... BM500002[2]<sup>25</sup>

### CRANKSHAFT REAR SEAL

#### 4 Cylinder

2003 2354cc/2.4L  
 Seal Viton ..... 228008

**FRONT WHEEL**

<b>2004-1999</b>	
Ball Bearing .....	510059[2]
<b>1998-1995</b>	
Bearing Module .....	510038[2]

**REAR WHEEL**

<b>2004-1999</b>	
Hub Assembly .....	512180[2]
<b>1998</b>	
Hub Assembly .....	512123[2]
<b>1997-1995</b>	
Hub Assembly .....	512124[2]

**4-SPEED AUTOMATIC TRANSAXLE**

**Differential**

<b>2001-1999</b>	
Seal (LH) .....	710199
Kwik Slv (Opt Rpr) (LH) .....	KWK99139
Seal Viton (RH) .....	224026
Kwik Slv (Opt Rpr) (RH) .....	KWK99157
<b>1998</b>	
Seal (LH) .....	710315
Kwik Slv (Opt Rpr) (LH) .....	KWK99139
Seal (RH) .....	224066
Kwik Slv (Opt Rpr) (RH) .....	KWK99157
<b>1997-1995</b>	
Bearing Assembly (LH) .....	30208M
Cone/Cup (RH) .....	11157X-11300

**Torque Convertor**

<b>2002-1995</b>	
Seal .....	350609

**Output Shaft**

<b>2002</b>	
Seal (LH) .....	710199
Seal (RH) .....	710300
<b>2001-1999</b>	
Seal Viton (RH) .....	224026
Seal (LH) .....	710199
<b>1998</b>	
Seal (LH) .....	710315
Kwik Slv (Opt Rpr) (LH) .....	KWK99139
Seal (RH) .....	224066
Kwik Slv (Opt Rpr) (RH) .....	KWK99157
<b>1997-1995</b>	
Seal (LH) .....	2007N
Kwik Slv (Opt Rpr) (LH) .....	KWK99139
Seal (RH) .....	224066
Kwik Slv (Opt Rpr) (RH) .....	KWK99157

**Selector Shaft Seal/Man. Shaft**

<b>2002-1995</b>	
Seal .....	221207
Kwik Slv (Opt Rpr) .....	KWK99049

**CAMSHAFT SEAL**

**4 Cylinder**

<b>1998</b> 2.3 (SOHC)	
Seal .....	712008
<b>1997-1995</b> 2.2L (SOHC)	
Seal .....	712008

**6 Cylinder**

<b>2004-1999</b> 3.5L	
Seal .....	710451[2]

**CRANKSHAFT FRONT SEAL**

**4 Cylinder**

<b>1998</b> 2.3 (SOHC)	
Seal .....	224015
Kwik Slv (Opt Rpr) .....	KWK99157
<b>1997-1995</b> 2.2L (SOHC)	
Seal .....	224015
Kwik Slv (Opt Rpr) .....	KWK99157

**6 Cylinder**

<b>2001-1999</b> 3.5L	
Seal .....	1181
Kwik Slv (Opt Rpr) .....	KWK99162

**CRANKSHAFT REAR SEAL**

**4 Cylinder**

<b>1998</b> 2.3 (SOHC)	
Seal .....	228015
Kwik Slv (Opt Rpr) .....	KWK99315
<b>1997-1995</b> 2.2L (SOHC)	
Seal .....	228015

**6 Cylinder**

<b>2003-1999</b> 3.5L	
Seal Viton .....	228008
Kwik Slv (Opt Rpr) .....	KWK99315

# Bearings and Seals

Mfg./Year    Model & Location    Part No    Mfg./Year    Model & Location    Part No

## **HONDA TRUCK - MINIVAN, SUV - Passport**

### **FRONT WHEEL**

#### **2001-1994**

Seal (Inner) ..... 710168[2]  
 Cone/Cup (Inner) ..... NP697136-NP592766[2]  
 Cone/Cup (Outer) ..... NP654538-NP177400[2]

### **2 WD**

#### **2002**

Hub Assembly ..... HA590653[2]

### **4 WD/AWD**

#### **2002**

Hub Assembly ..... HA590644[2]

### **REAR WHEEL**

#### **2002-1999**

Hub Assembly ..... 512180[2]

#### **1998**

Hub Assembly ..... 512123[2]

#### **1997-1994 (2WD)**

Seal ..... 710166[2]  
 Cylindrical Bearing ..... 5707[2]

#### **1997-1994 (4WD)**

Seal ..... 9912S[2]  
 Set ..... SET10[2]

### **FRONT AXLE**

#### **Differential**

#### **2002-1994**

Set ..... SET45[2]

#### **Pinion**

#### **2002-1999**

Bearing Assembly (Inne ..... 32307  
 Seal (Outer) ..... 710513  
 Bearing Assembly  
 (Outer) ..... 30306M

#### **1998-1994**

Bearing Assembly (Inne ..... 32307  
 Seal (Outer) ..... 474133  
 Bearing Assembly  
 (Outer) ..... 30306M  
 Kwik Slv (Opt Rpr) ..... KWK99157

### **REAR AXLE**

#### **Differential Rebuild Kit**

#### **1997-1994 (7.625" R.G.)**

Kit ..... DRK320

#### **Differential**

#### **2002-1999**

Cone/Cup ..... 25590-25523[2]

#### **1999-1994 (Dana/Spicer 44 3 axle)**

Cone/Cup ..... 25590-25523[2]

#### **1997-1994 (7.625" R.G.)**

Cone/Cup ..... LM501349-LM501314[2]

### **REAR AXLE**

#### **Pinion**

#### **2002-1999**

Cone/Cup (Inner) ..... M802048-M802011  
 Seal (Outer) ..... 710452  
 Cone/Cup (Outer) ..... M88048-M88010

#### **1999-1998 (Dana/Spicer 44 3 axle)**

Cone/Cup (Inner) ..... 02872-02820  
 Seal (Outer) ..... 710452  
 Cone/Cup (Outer) ..... HM88649-HM88610

#### **1997-1994 (7.625" R.G.)**

Cone/Cup (Inner) ..... HM89249-HM89210  
 Kwik Slv (Opt Rpr) ..... KWK99147

#### **1997-1994 (Dana/Spicer 44 3 axle)**

Cone/Cup (Inner) ..... 02872-02820  
 Seal (Outer) ..... 5778  
 Cone/Cup (Outer) ..... HM88649-HM88610  
 Kwik Slv (Opt Rpr) ..... KWK99155

### **TRANSMISSION REBUILD KIT**

#### **2002-1994 (MSG5)(4WD)**

Kit ..... TRKFI200

#### **2002-1993 (MSG5)(4WD)**

Kit ..... TRKFI160

#### **1996-1994 (Warner T5 World Class)**

Kit ..... TRK5W

### **CLUTCH**

#### **Pilot Bearing**

#### **2002-1994 3.2L**

Ball Bearing ..... 203FFW

#### **1997-1994 2.6L**

Ball Bearing ..... 203FF

#### **Release Bearing**

#### **2002-1994 3.2L**

Bearing Assembly ..... 614154

#### **1996-1994 DX**

Bearing Assembly ..... 614163

### **5-SPEED MANUAL TRANSMISSION**

#### **Front Input Shaft**

#### **1997-1994 (4WD)**

Seal ..... 710157  
 Kwik Slv (Opt Rpr) ..... KWK99103

#### **1996-1994 DX**

Seal ..... 7412S

#### **Rear Output Shaft**

#### **1997-1994 (4WD)**

Seal ..... 3459S

#### **1996-1994 DX**

Seal ..... 710441

Mfg./Year    Model & Location    Part No    Mfg./Year    Model & Location    Part No

---

**HONDA TRUCK - MINIVAN, SUV - Passport (cont.)**

---

**CAMSHAFT SEAL**  
**4 Cylinder**

1996-1994 2.6L  
Seal ..... 1981[2]  
Kwik Slv (Opt Rpr) .....KWK99114[2]

**6 Cylinder**  
2002-1994 3.2L  
Seal ..... 1981[2]  
Kwik Slv (Opt Rpr) .....KWK99114[2]

**CRANKSHAFT FRONT SEAL**  
**4 Cylinder**

1996-1994 2.6L  
Seal ..... 224025  
Kwik Slv (Opt Rpr) .....KWK99157

**CRANKSHAFT FRONT SEAL**  
**6 Cylinder**

2002-1994 3.2L  
Seal ..... 224025  
Kwik Slv (Opt Rpr) .....KWK99157

**CRANKSHAFT REAR SEAL**  
**4 Cylinder**

1996-1994 2.6L  
Seal ..... 710060  
Kwik Slv (Opt Rpr) .....KWK99364

**6 Cylinder**  
2002-1994 3.2L  
Seal ..... 710060  
Kwik Slv (Opt Rpr) .....KWK99364

---

**HONDA TRUCK - MINIVAN, SUV - Pilot**

---

**FRONT WHEEL**  
2005  
Ball Bearing ..... 510085[2]<sup>25</sup>  
2004-2003  
Ball Bearing ..... 510011[2]

**REAR WHEEL**  
2005-2003  
Ball Bearing ..... 510039[2]

**CAMSHAFT SEAL**  
**6 Cylinder**  
2004-2003 3.5L  
Seal ..... 710451[2]

**CRANKSHAFT REAR SEAL**  
**6 Cylinder**  
2003 3.5L  
Seal Viton ..... 228008  
Kwik Slv (Opt Rpr) .....KWK99315

---

**HUMMER - Hummer, Humvee, H1, H2**

---

**FRONT WHEEL**  
**4WD/AWD**  
2006-2003 H2  
Hub Assembly ..... SP580304[2]<sup>75</sup>  
2004-2002 H1  
Cone/Cup (Inner) ..... 3490-3420[2]  
Cone/Cup (Outer) ..... 3780-3720[2]  
2001-1990  
Cone/Cup (Inner) ..... 3490-3420[2]  
Cone/Cup (Outer) ..... 3780-3720[2]

**REAR WHEEL**  
2006-2003 H2  
Seal ..... 3747[2]  
Cylindrical Bearing ..... R1561TV[2]  
Kit ..... TGM1561R[2]<sup>19</sup>  
2004-2002 H1  
Cone/Cup (Inner) ..... 3490-3420[2]  
Cone/Cup (Outer) ..... 3780-3720[2]

**REAR WHEEL (cont.)**  
2001-1992  
Cone/Cup (Inner) ..... 3490-3420[2]  
Cone/Cup (Outer) ..... 3780-3720[2]

**4WD FRONT AXLE**  
**Differential Rebuild Kit**  
2005-2003 H2  
Kit ..... DRK324A  
2001-1993 (AMC 20 axle)  
Kit ..... DRK311J

**Differential**  
2005-2003 H2  
Set ..... SET42[2]  
2001-1993 (AMC 20 axle)  
Set ..... SET36[2]

<sup>19</sup>Opt. Axle Rpr Brg. Replaces O.E. Brg & Seal

<sup>25</sup>New Item, Check For Availability

<sup>75</sup>8 Lug.



# Bearings and Seals

Mfg./Year	Model & Location	Part No	Mfg./Year	Model & Location	Part No
-----------	------------------	---------	-----------	------------------	---------

## **HUMMER - Hummer, Humvee, H1, H2 (cont.)**

### **4WD FRONT AXLE**

#### **Pinion**

<b>2005-2003</b>	H2	
Cone/Cup (Inner)	.....	HM804846-HM804810
Seal (Outer)	.....	710281
Cone/Cup (Outer)	.....	HM88649-HM88610
<b>2001-1993</b>	(AMC 20 axle)	
Cone/Cup (Inner)	.....	M802048-M802011
Seal (Outer)	.....	470331N
Cone/Cup (Outer)	.....	M88048-M88010

### **REAR AXLE**

#### **Differential Rebuild Kit**

<b>2005-2003</b>	H2	
Kit	.....	DRK324B
<b>2001-1993</b>	(AMC 20 axle)	
Kit	.....	DRK311J

#### **Differential**

<b>2005-2003</b>	H2	
Set	.....	SET42[2]
<b>2001-1993</b>	(AMC 20 axle)	
Set	.....	SET36[2]

#### **Pinion**

<b>2005-2003</b>	H2	
Cone/Cup (Inner)	.....	HM804846-HM804810
Seal (Outer)	.....	710507
Cone/Cup (Outer)	.....	HM88649-HM88610
<b>2001-1993</b>	(AMC 20 axle)	
Cone/Cup (Inner)	.....	M802048-M802011
Seal (Outer)	.....	470331N
Cone/Cup (Outer)	.....	M88048-M88010

### **TRANSFER CASE REBUILD KIT**

<b>2001-1993</b>	(New Venture 242)	
Kit	.....	TCRK242A <sup>16</sup>

### **TRANSFER CASE**

#### **Input Shaft**

<b>2001-1995</b>	(New Process 242)	
Seal	.....	3173[2]
Ball Bearing	.....	110L
Seal Dual Lip	.....	710928
Kwik Slv (Opt Rpr)	.....	KWK99193
Needle Bearing Pilot	.....	FC66561
<b>2001-1994</b>	(New Process 242)(2nd design)	
Seal	.....	3173[2]
Ball Bearing	.....	110L
Seal Dual Lip	.....	710928
Kwik Slv (Opt Rpr)	.....	KWK99193
Needle Bearing Pilot	.....	FC66561
<b>1994</b>	(New Process 242)(1st design)	
Seal	.....	3173[2]
Ball Bearing	.....	N5210KLB
Seal Dual Lip	.....	710928
Kwik Slv (Opt Rpr)	.....	KWK99193
Needle Bearing Pilot	.....	FC66561

### **TRANSFER CASE (cont.)**

#### **Input Shaft (cont.)**

<b>1993</b>	(New Process 242)	
Seal	.....	3173[2]
Ball Bearing	.....	N5210KLB
Seal Dual Lip	.....	710928
Kwik Slv (Opt Rpr)	.....	KWK99193
Needle Bearing Pilot	.....	FC66561

#### **Front Output Shaft**

<b>2001-1993</b>	(New Process 242)	
Seal	.....	3946
Ball Bearing	.....	207
Kwik Slv (Opt Rpr)	.....	KWK99187
Needle Bearing Pilot	.....	J2416

#### **Rear Output Shaft**

<b>2001-1993</b>	(New Process 242)	
Ball Bearing	.....	206WB
Needle Bearing Pilot	.....	J2416

#### **Oil Pump Housing**

<b>2001-1993</b>	(New Process 242)	
Seal	.....	341022
Kwik Slv (Opt Rpr)	.....	KWK99225

### **3-SPEED AUTOMATIC TRANSMISSION**

#### **Torque Converter**

<b>1993</b>	(3L80HD)	
Seal	.....	6712NA
Kwik Slv (Opt Rpr)	.....	KWK99187

#### **Rear Seal/Ext. Housing**

<b>1993</b>	(3L80HD)	
Seal	.....	9449
Seal Kit	.....	5208 <sup>64</sup>

#### **Selector Shaft Seal/Man. Shaft**

<b>1993</b>	(3L80HD)	
Seal	.....	8792S

### **4-SPEED AUTOMATIC TRANSMISSION**

#### **Torque Converter**

<b>2001-1993</b>	(4L80E)	
Seal	.....	4598
Kwik Slv (Opt Rpr)	.....	KWK99199

#### **Rear Seal/Ext. Housing**

<b>2001-1993</b>	(4L80E)	
Seal	.....	9449
Seal Kit	.....	5208 <sup>64</sup>

Mfg./Year	Model & Location	Part No	Mfg./Year	Model & Location	Part No
-----------	------------------	---------	-----------	------------------	---------

---

## **HUMMER - Hummer, Humvee, H1, H2 (cont.)**

---

### **4-SPEED AUTOMATIC TRANSMISSION**

#### **Selector Shaft Seal/Man. Shaft**

2001-1993 (4L80E)  
 Seal ..... 8792S

### **A/C COMPRESSOR**

2001-1993 (Frigidaire R4)  
 Ball Bearing ..... 907257  
 Ball Bearing (Frt Head) ..... S128

### **ALTERNATOR**

2001-1993 (Delco 124 Amp.)  
 Ball Bearing (Rear End) ..... 100CCAB

### **CRANKSHAFT FRONT SEAL**

#### **8 Cylinder**

2005-1993 379/6.2L (Diesel), 395/6.5L  
 (Diesel), 395/6.5L (Turbo  
 Diesel)  
 Seal ..... 3945  
 Kwik Slv (Opt Rpr) ..... KWK99233

### **CRANKSHAFT FRONT SEAL (cont.)**

#### **8 Cylinder (cont.)**

1996-1995 350/5.7L  
 Seal ..... 9845  
 Kwik Slv (Opt Rpr) ..... KWK99176

### **CRANKSHAFT REAR SEAL**

#### **8 Cylinder**

2005-2003 364/6.0L  
 Seal ..... 100085  
 2004-1993 379/6.2L (Diesel) 395/6.5L  
 (Diesel) 395/6.5L (Turbo Diesel)  
 Seal Viton ..... 710258  
 Kwik Slv (Opt Rpr) ..... KWK99452  
 1996-1995 350/5.7L  
 Seal Viton ..... 4359V  
 Seal PTFE H/D ..... 5274  
 Kwik Slv (Opt Rpr) ..... KWK99364

## **HUMMER - H3**

---

### **REAR WHEEL**

2006  
 Cylindrical Bearing ..... 513067[2]

## **HYUNDAI - FRONT DRIVE - Accent, Elantra, Excel, SCoupe, Sonata, Tiburon, XG300, XG350**

---

### **FRONT WHEEL**

2005-2003 Tiburon (4 Cyl.)  
 Ball Bearing ..... 510078[2]  
 2005-2003 Tiburon (6 Cyl.)  
 Bearing Assembly ..... 510076[2]  
 2005-2003 XG300, XG350  
 Ball Bearing ..... 510034[2]  
 2005-2001 Elantra  
 Ball Bearing ..... 510078[2]  
 2005-2000 Accent  
 Ball Bearing ..... 510055[2]  
 2003-2002 Sonata (From 1/3/02 Thru  
 8/21/03)  
 Ball Bearing ..... 510034[2]  
 2002-2001 XG300, XG350  
 Bearing Assembly ..... 510076[2]  
 2002-1999 Sonata (To 1/2/02)  
 Bearing Assembly ..... 510076[2]  
 2001-1997 Tiburon  
 Ball Bearing ..... 510055[2]  
 2000-1996 Elantra  
 Ball Bearing ..... 510055[2]  
 1999-1996 Accent  
 Seal ..... 229522[2]  
 Set ..... SET41[2]

### **FRONT WHEEL (cont.)**

1998-1995 Sonata  
 Ball Bearing ..... 510075[2]  
 1995-1992 Elantra  
 Seal (Inner) ..... 229522[2]  
 Set (Inner) ..... SET41[2]  
 Seal (Outer) ..... 229522[2]  
 Set (Outer) ..... SET41[2]  
 1995-1991 SCoupe  
 Seal ..... 229522[2]  
 Set ..... SET41[2]  
 1994-1990 Sonata  
 Seal (Inner) ..... 225082[2]  
 Ball Bearing (Inner) ..... 513036[2]  
 Seal (Outer) ..... 225230[2]  
 1994-1990 (Exc. El)  
 Seal ..... 229522[2]  
 Set ..... SET41[2]

### **REAR WHEEL**

2005-2003 Tiburon (ABS)  
 Hub Assembly ..... 512198[2]  
 2005-2003 Tiburon (w/o ABS)  
 Hub Assembly ..... 512199[2]

# Bearings and Seals

Mfg./Year	Model & Location	Part No	Mfg./Year	Model & Location	Part No
<b>HYUNDAI - FRONT DRIVE - Accent, Elantra, Excel, SCoupe, Sonata, Tiburon, XG300, XG350 (cont.)</b>					

## REAR WHEEL (cont.)

2005-2001	Elantra (ABS)	
	Hub Assembly	512195[2]
2005-2001	Elantra (w/o ABS)	
	Hub Assembly	512194[2]
2005-2001	XG300, XG350	
	Hub Assembly	512189[2]
2005-2000	Accent (ABS)	
	Hub Assembly	512192[2]
2005-2000	Accent (w/o ABS)	
	Hub Assembly	512193[2]
2005-1999	Sonata (ABS)	
	Hub Assembly	512190[2]
2005-1999	Sonata (w/o ABS)	
	Hub Assembly	512191[2]
2001-1997	Tiburon (ABS or w/o ABS)	
	Hub Assembly	512160[2]
2000-1996	Elantra	
	Hub Assembly	512160[2]
1999-1997	Accent	
	Hub Assembly	512165[2]
1998-1992	Sonata (ABS) or (w/o ABS)	
	Hub Assembly	512026[2]
1996-1995	Accent	
	Hub Assembly	512027[2]
1995-1992	Elantra	
	Seal (Inner)	1196[2]
	Bearing Assembly (Inne	516000[2]
	Bearing Assembly (Outer)	516000[2]
1995-1991	SCoupe	
	Seal (Inner)	710404[2]
	Bearing Assembly (Inne	516000[2]
	Bearing Assembly (Outer)	516000[2]
1994-1990	(Exc. El)	
	Seal (Inner)	710404[2]
	Bearing Assembly (Inne	516000[2]
	Bearing Assembly (Outer)	516000[2]
1991-1990	Sonata	
	Seal (Inner)	494122[2]
	Set (Inner)	SET6[2]
	Set (Outer)	SET2[2]

## CLUTCH - 4 CYLINDER

### Release Bearing

2001-1990	(Exc. Tiburon)	
	Bearing Assembly	614126

## 4-SPEED AUTOMATIC TRANSAXLE

### Differential

2000-1997	(F4A32)	
	Ball Bearing	207[2]
1993-1990	(F4A23 2)	
	Ball Bearing	206WB[2]
1990	(F4A21 2, F4A22 2, F4A33 1)	
	Ball Bearing	207[2]

## 4-SPEED AUTOMATIC TRANSAXLE

### Torque Converter

2000-1990		
	Seal	320583
	Kwik Slv (Opt Rpr)	KWK99157

### Idler Shaft

1994-1991	(F4A21 2)	
	Bearing Assembly	30206M

### Transfer Shaft

1995-1991	(F4A21 2)	
	Bearing Assembly	30207M[2]

### Output Shaft

2000-1994	(F4A32, F4A33 1)	
	Seal Viton	710259[2]
1998-1990	(F4A21 2, F4A22 2, F4A23 2)	
	Seal	223543[2]
	Kwik Slv (Opt Rpr)	KWK99139[2]

## 4-SPEED MANUAL TRANSAXLE

### Differential

1991-1990	(F4M21 1)	
	Ball Bearing	207[2]

### Input Shaft

1991-1990	(F4M21 1, KM200 0)	
	Seal Viton	712007
	Kwik Slv (Opt Rpr)	KWK99098

### Output Shaft

1991-1990	(F4M21 1, KM200 0)	
	Seal	223543[2]
	Bearing Assembly	30206M[2]
	Kwik Slv (Opt Rpr)	KWK99139[2]

### Selector Shaft Seal/Man. Shaft

1991-1990		
	Seal	710222

## 5-SPEED MANUAL TRANSAXLE

### Differential

1998-1992	(F5M22 2)	
	Bearing Assembly	30207M[2]
1992-1991	(F5M21 1, KM210 0)	
	Ball Bearing	207[2]
1990	(F5M21 1, KM201 0, KM210 0)	
	Ball Bearing	207[2]

Mfg./Year	Model & Location	Part No	Mfg./Year	Model & Location	Part No
<b>HYUNDAI - FRONT DRIVE - Accent, Elantra, Excel, SCoupe, Sonata, Tiburon, XG300, XG350 (cont.)</b>					

**5-SPEED MANUAL TRANSAXLE**

**Input Shaft**

<b>1998-1990</b>	(F5M21 1, F5M22 2)
Seal Viton .....	712007
Kwik Slv (Opt Rpr) .....	KWK99098
<b>1992-1990</b>	(KM210 0)
Seal Viton (Frnt) .....	712007
Kwik Slv (Opt Rpr) .....	KWK99098
Ball Bearing (Center) .....	304WB
Ball Bearing (Rr) .....	306F

**Output Shaft**

<b>1998-1990</b>	(F5M21 1, F5M22 2, KM201 0, KM210 0)
Seal .....	223543[2]
Bearing Assembly .....	30206M[2]
Kwik Slv (Opt Rpr) .....	KWK99139[2]
<b>1993-1990</b>	(F5M22 2)
Seal .....	223543[2]
Kwik Slv (Opt Rpr) .....	KWK99139[2]

**Selector Shaft Seal/Man. Shaft**

<b>1998-1990</b>	
Seal .....	710222

**ALTERNATOR**

<b>1996-1995</b>	Mitsubishi 110 Amp.
Ball Bearing .....	303CC

**OIL PUMP**

**4 Cylinder**

<b>2002-1990</b>	1997cc/2.0L (DOHC), 2351cc/2.4L, 2351cc/2.4L (DOHC)
Seal .....	222025
Kwik Slv (Opt Rpr) .....	KWK99078

**BALANCE SHAFT**

**4 Cylinder**

<b>1998-1992</b>	1997cc/2.0L (DOHC)
Seal Viton .....	712007
Kwik Slv (Opt Rpr) .....	KWK99098

**CAMSHAFT SEAL**

**4 Cylinder**

<b>2002-1992</b>	1 595cc/1.6L, 1795cc/1.8L, 1975cc/2.0L, 1997cc/2.0L, 2351cc/2.4L (DOHC)
Seal .....	3771[2]
Kwik Slv (Opt Rpr) .....	KWK99139[2]
<b>2002-1990</b>	1468cc/1.5L, 1495cc/1.5L, 2351cc/2.4L (SOHC)
Seal .....	3771
Kwik Slv (Opt Rpr) .....	KWK99139

**CAMSHAFT SEAL**

**6 Cylinder**

<b>1998-1990</b>	2972cc/3.0L
Seal .....	3771[2]
Kwik Slv (Opt Rpr) .....	KWK99139[2]

**CRANKSHAFT FRONT SEAL**

**4 Cylinder**

<b>2000-1997</b>	1796cc/1.8L, 1975cc/2.0L, 1997cc/2.0L, 2351cc/2.4L
Seal .....	224460
<b>2000-1993</b>	1468cc/1.5L, 1495cc/1.5L
Seal .....	223018
Kwik Slv (Opt Rpr) .....	KWK99114
<b>1996-1990</b>	1595cc/1.6L, 1997cc/2.0L, 2351cc/2.4L
Seal .....	224460
<b>1992-1990</b>	1468cc/1.5L
Seal .....	223018
Kwik Slv (Opt Rpr) .....	KWK99114

**6 Cylinder**

<b>1998-1990</b>	2988cc/3.0L
Seal .....	223750
Kwik Slv (Opt Rpr) .....	KWK99145

**CRANKSHAFT REAR SEAL**

**4 Cylinder**

<b>2003-1997</b>	1796cc/1.8L, 1975cc/2.0L, 1997cc/2.0L, 2351cc/2.4L
Seal Viton .....	228005
Kwik Slv (Opt Rpr) .....	KWK99315
<b>2003-1993</b>	1468cc/1.5L, 1495cc/1.5L, 1599cc/1.6L
Seal .....	227235
<b>1996-1990</b>	1595cc/1.6L, 1997cc/2.0L, 2351cc/2.4L
Seal Viton .....	228005
Kwik Slv (Opt Rpr) .....	KWK99315
<b>1992-1990</b>	1468cc/1.5L
Seal .....	227235

**6 Cylinder**

<b>2003-2002</b>	3467cc/3.5L
Seal Viton .....	710056
Seal PTFE H/D .....	5279
<b>2003-1999</b>	2493cc/2.5L, 2656cc/2.7L
Seal Viton .....	710056
Seal PTFE H/D Opt .....	5279
<b>2001-1990</b>	2972cc/3.0L
Seal Viton .....	710056
Seal PTFE H/D Opt .....	5279

# Bearings and Seals

Mfg./Year	Model & Location	Part No	Mfg./Year	Model & Location	Part No
-----------	------------------	---------	-----------	------------------	---------

## **HYUNDAI TRUCK - PICKUP, SUV - Sante Fe**

### **FRONT WHEEL**

2005-2001  
Ball Bearing ..... 510034[2]

### **4WD/AWD**

2005-2001  
Ball Bearing ..... 510034[2]

### **REAR WHEEL**

2005-2001 (AWD)  
Set ..... SET49[2]

### **OIL PUMP**

#### **4 Cylinder**

2003-2001 2351cc/ 2.4L (DOCH)  
Seal ..... 222025  
Kwik Slv (Opt Rpr) ..... KWK99078

### **CAMSHAFT SEAL**

#### **4 Cylinder**

2003-2001 2351cc/ 2.4L (DOCH)  
Seal ..... 3771[2]  
Kwik Slv (Opt Rpr) ..... KWK99139[2]

### **CRANKSHAFT FRONT SEAL**

#### **4 Cylinder**

2003-2001 2351cc/ 2.4L (DOCH)  
Seal ..... 224460

### **CRANKSHAFT REAR SEAL**

#### **4 Cylinder**

2003-2001 2351cc/ 2.4L  
Seal Viton ..... 228005  
Kwik Slv (Opt Rpr) ..... KWK99315

#### **6 Cylinder**

2003-2001 2656cc/ 2.7L  
Seal Viton ..... 710056  
Seal PTFE H/D Opt ..... 5279

## **INFINITI - FRONT DRIVE - G20, I30, I35**

### **FRONT WHEEL**

2004-2000 I30, I35  
Ball Bearing ..... 510060[2]  
2002-1991 G20  
Seal (Inner) ..... 710108[2]  
Ball Bearing (Inner) ..... 510009[2]  
Seal (Outer) ..... 710108[2]  
1999-1996 I30  
Seal (Inner) ..... 710108[2]  
Ball Bearing (Inner) ..... 510009[2]  
Seal (Outer) ..... 710108[2]

### **REAR WHEEL**

2004-2000 I30, I35  
Hub Assembly ..... 512203[2]  
2002-1999 G20  
Hub Assembly ..... HA590123[2]<sup>25</sup>  
1999-1997 I30 (From 3/97)  
Hub Assembly ..... 512140[2]<sup>16</sup>  
1996-1991 G20

### **CLUTCH - 4 CYLINDER**

#### **Pilot Bearing**

2002-1991 1998cc/2.0L (DOHC)  
Bushing ..... PB22

### **CLUTCH - 6 CYLINDER**

#### **Pilot Bearing**

1999-1996 2988cc/3.0L (DOHC)  
Bushing ..... PB22

### **CLUTCH - 4 CYLINDER**

#### **Release Bearing**

2002-1991 1998cc/2.0L (DOHC)  
Bearing Assembly Self  
Aligning Assy. .... 614047

### **CLUTCH - 6 CYLINDER**

#### **Release Bearing**

2001-1996 2988cc/3.0L (DOHC)  
Bearing Assembly Self  
Aligning Assy. .... 614049

### **4-SPEED AUTOMATIC TRANSAXLE**

#### **Differential**

2002-1991 (RL4F03A)  
Ball Bearing ..... 208[2]  
2002-1991 (RL4F03V)  
Bearing Assembly (LH) ..... 32008XM  
2000-1996 (RE4F04A)  
Bearing Assembly ..... 32009XM[2]  
2000-1996 (RE4F04V)  
Bearing Assembly (LH) ..... 32009XM  
Bearing Assembly (RH) ..... 32013X

**4-SPEED AUTOMATIC TRANSAXLE**

**Torque Converter**

<b>2002-1991</b> (RL4F03A, RL4F03V)	
Seal .....	710442
<b>2000-1996</b> (RE4F04A, RE4F04V)	
Seal .....	224663
Kwik Slv (Opt Rpr) .....	KWK99181

**Output Shaft**

<b>2002-1991</b> (RL4F03A)	
Seal Viton .....	224026[2]
<b>2002-1991</b> (RL4F03V)	
Seal (LH) .....	710132
Seal (RH) .....	710133
<b>2000-1996</b> (RE4F04A)	
Seal (LH) .....	710118
Seal (RH) .....	710124
<b>2000-1996</b> (RE4F04V)	
Seal (LH) .....	710397
Seal (RH) .....	710124

**Oil Pump**

<b>2000-1996</b> (RE4F04A, RE4F04V)	
Seal .....	224450

**Selector Shaft Seal/Man. Shaft**

<b>2002-1991</b> (RL4F03A, RL4F03V, RE4F04A, RE4F04V)	
Seal .....	221207

**5-SPEED MANUAL TRANSAXLE**

**Differential**

<b>2002-1991</b> (RS5F32A)	
Bearing Assembly .....	32010X[2]
<b>2002-1991</b> (RS5F32V)	
Bearing Assembly (LH) .....	32010X
<b>2000-1996</b> (RS5F50A)	
Bearing Assembly .....	32009XM[2]
<b>2000-1996</b> (RS5F50V)	
Bearing Assembly (LH) .....	32009XM
Bearing Assembly (RH) .....	32013X

**Input Shaft**

<b>2002-1991</b> (RS5F32A)(RS5F32V)	
Seal .....	710316
Ball Bearing .....	305AG
Kwik Slv (Opt Rpr) .....	KWK99098
<b>2000-1996</b> (RS5F50A)(RS5F50V)	
Seal .....	710119
Ball Bearing .....	108A
Kwik Slv (Opt Rpr) .....	KWK99111

**5-SPEED MANUAL TRANSAXLE**

**Output Shaft**

<b>2000-1996</b> (RS5F50A)	
Seal (LH) .....	710118
Bearing Assembly (LH) .....	32206M
Seal (RH) .....	710124
Bearing Assembly (RH) .....	30306M
<b>2000-1996</b> (RS5F50V)	
Seal (LH) .....	710397
Seal (RH) .....	710124
<b>2000-1991</b> (RS5F32A)	
Seal (LH) .....	710132
<b>2000-1991</b> (RS5F32V)	
Seal (LH) .....	710132
Seal (RH) .....	710133

**ALTERNATOR**

<b>1997-1991</b> Hitachi 90 Amp.	
Ball Bearing (Drive End) .....	303CC

**CAMSHAFT SEAL**

**4 Cylinder**

<b>2002-1991</b> 1998cc/2.0L (DOHC)	
Seal .....	223420[2]
Kwik Slv (Opt Rpr) .....	KWK99131

**CRANKSHAFT FRONT SEAL**

**4 Cylinder**

<b>2002-1991</b> 1998cc/2.0L (DOHC)	
Seal .....	224650
Kwik Slv (Opt Rpr) .....	KWK99181

**6 Cylinder**

<b>2001-1996</b> 2988cc/3.0L (DOHC)	
Seal .....	710356
Kwik Slv (Opt Rpr) .....	KWK99189

**CRANKSHAFT REAR SEAL**

**4 Cylinder**

<b>2002-1991</b> 1998cc/2.0L (DOHC)	
Seal Viton .....	228410

**6 Cylinder**

<b>2001-1996</b> 2988cc/3.0L (DOHC)	
Seal Viton .....	710363

# Bearings and Seals

Mfg./Year	Model & Location	Part No	Mfg./Year	Model & Location	Part No
<b>INFINITI - REAR DRIVE - G35, J30, M30, Q45</b>					

## FRONT WHEEL

<b>2006-2003</b>	G35 (w/ Stability Control)	
	Hub Assembly	HA590027[2] <sup>25</sup>
<b>2005-2002</b>	Q45	
	Hub Assembly	HA590126[2] <sup>25</sup>
<b>2003</b>	G35 (w/o Stability Control)	
	Hub Assembly	HA590127[2] <sup>25</sup>
<b>2001-1997</b>	Q45	
	Seal	710292[2]
	Bearing Assembly	JRM3449-90UA1[2]
<b>1997-1993</b>	J30	
	Seal	710292[2]
	Bearing Assembly	JRM3449-90UA1[2]
<b>1996-1990</b>	Q45	
	Seal	710108[2]
	Bearing Assembly	JRM3848-90UA1[2]
<b>1992-1990</b>	M30 (ABS)	
	Set (Inner)	SET6[2]
	Set (Outer)	SET2[2]
<b>1992-1990</b>	M30 (w/o ABS)	
	Seal (Inner)	710126[2]
	Set (Inner)	SET6[2]
	Set (Outer)	SET2[2]

## REAR WHEEL

<b>2006-2003</b>	G35	
	Bearing Module	BM500006[2] <sup>25</sup>
<b>2005-2002</b>	Q45	
	Bearing Module	BM500004[2] <sup>25</sup>
<b>2001-1997</b>	Q45	
	Seal	710439[2]
	Bearing Assembly	516004[2]
<b>1997-1993</b>	J30	
	Seal	710439[2]
	Bearing Assembly	516004[2]
<b>1996-1990</b>	Q45	
	Seal (LH)	710130
	Bearing Module (LH)	511010[2]
	Seal (RH)	710130
	Bearing Module (RH)	511011[2]
<b>1992-1990</b>	M30	
	Seal (Inner)	710131[2]
	Ball Bearing (Inner)	RW101[2]
	Ball Bearing (Outer)	RW132[2]

## REAR AXLE

### Differential

<b>2002-1990</b>		
	Seal	223542[2]
	Cone	30209C[2]
	Kwik Slv (Opt Rpr)	KWK99139[2]

### Pinion

<b>2002-1990</b>	R200V	
	Set (Inner)	SET43
	Seal (Outer)	712020
	Cone (Outer)	32306C
	Kwik Slv (Opt Rpr)	KWK99157

## REAR AXLE (cont.)

### Pinion (cont.)

<b>1992-1990</b>	R200KV	
	Set (Inner)	SET45
	Seal (Outer)	712020
	Cone (Outer)	32306C
	Kwik Slv (Opt Rpr)	KWK99157

## 4-SPEED AUTOMATIC TRANSMISSION

### Torque Converter

<b>2000-1990</b>	(RE4R01A, RE4R03A)	
	Seal	224663
	Kwik Slv (Opt Rpr)	KWK99181

### Rear Seal/Ext. Housing

<b>2000-1990</b>	(RE4R01A, RE4R03A)	
	Seal	223801

### Selector Shaft Seal/Man. Shaft

<b>2000-1990</b>	(RE4R01A, RE4R03A)	
	Seal	2027

## ALTERNATOR

<b>1997-1990</b>	Hitachi 90 Amp.	
	Ball Bearing (Drive End)	303CC
<b>1997-1990</b>	Hitachi 90 Amp.	
	Ball Bearing (Rear End)	201CC

## DRIVESHAFT SUPPORT

<b>1997-1990</b>	J30, M30	
	Hanger Brg Assy	HB6

## CAMSHAFT SEAL

### 6 Cylinder

<b>1997-1990</b>	2960cc/3.0L (DOHC)	
	Seal	224052[4]
	Kwik Slv (Opt Rpr)	KWK99157[4]

## CRANKSHAFT FRONT SEAL

### 6 Cylinder

<b>1997-1990</b>	2960cc/3.0L (DOHC)	
	Seal	223340

### 8 Cylinder

<b>2001-1990</b>	4130cc/4.1L (DOHC), 4494cc/4.5L (DOHC)	
	Seal	710354
	Kwik Slv (Opt Rpr)	KWK99196

## CRANKSHAFT REAR SEAL

### 6 Cylinder

<b>1997-1990</b>	2960cc/3.0L (DOHC)	
	Seal Viton	228410

Mfg./Year	Model & Location	Part No	Mfg./Year	Model & Location	Part No
<b>INFINITI - REAR DRIVE - G35, J30, M30, Q45 (cont.)</b>					

<b>CRANKSHAFT REAR SEAL</b>	
<b>8 Cylinder</b>	
2001-1990	4130cc/4.1L (DOHC), 4494cc/4.5L (DOHC)
Seal Viton .....	228410

## INFINITI TRUCK - SUV - FX35, FX45

<b>FRONT WHEEL</b>	
<b>2WD</b>	
2005-2003	FX Ser. (2WD)
Hub Assembly .....	HA590124[2] <sup>25</sup>

<b>FRONT WHEEL</b>	
<b>4WD/AWD</b>	
2005-2003	FX Ser. (4WD)
Hub Assembly .....	HA590125[2] <sup>25</sup>

## INFINITI TRUCK - SUV - QX4

<b>FRONT WHEEL</b>	
2003-1997	
Seal (Inner) .....	710072[2]
Set (Inner) .....	SET37[2]
Cone/Cup (Outer) .....	LM300849-LM300811[2]

<b>REAR WHEEL</b>	
2003-1997	
Seal .....	710176[2]
Bearing Assembly .....	516005[2]

<b>4WD FRONT AXLE</b>	
<b>Axle Shaft</b>	
2002-1997 R200A	
Seal (Inner) .....	1181
Seal (Outer) .....	710398
Ball Bearing (Outer) .....	RW114R[2]

<b>Differential</b>	
2002-1997 R200A	
Seal .....	223542[2]
Cone .....	30209C[2]
Kwik Slv (Opt Rpr) .....	KWK99139[2]

<b>Pinion</b>	
2002-1997 R200A	
Set (Inner) .....	SET43
Seal (Outer) .....	712020
Cone (Outer) .....	32306C
Kwik Slv (Opt Rpr) .....	KWK99157

<b>REAR AXLE</b>	
<b>Differential</b>	
2002-1997 H233BS	
Cone/Cup .....	17887-17831[2]

<b>REAR AXLE</b>	
<b>Pinion</b>	
2002-1997 H233BS	
Bearing Assembly (Inne) .....	32308
Seal (Outer) .....	710245
Cone (Outer) .....	32306C
Kwik Slv (Opt Rpr) .....	KWK99166

<b>TRANSFER CASE REBUILD KIT</b>	
2003-1997	
Kit .....	TRKFN510

<b>TRANSFER CASE</b>	
<b>Input Shaft</b>	
2000-1997 (TX10A)(A/T)	
Seal .....	225035
Ball Bearing .....	306TB[2]
Kwik Slv (Opt Rpr) .....	KWK99196
2000-1997 (TX10A)(M/T)	
Seal .....	225030
Ball Bearing .....	306TB[2]
Kwik Slv (Opt Rpr) .....	KWK99196

<b>Front Output Shaft</b>	
2000-1997 (TX10A)	
Seal .....	710113
Ball Bearing .....	212L

<b>Rear Output Shaft</b>	
2000-1997 (TX10A)	
Seal .....	224266
Ball Bearing .....	213SL
Kwik Slv (Opt Rpr) .....	KWK99166

<b>Drive Sprocket</b>	
2000-1997 (TX10A)	
Ball Bearing .....	208[2]

<sup>25</sup>New Item, Check For Availability



# Bearings and Seals

Mfg./Year	Model & Location	Part No	Mfg./Year	Model & Location	Part No
-----------	------------------	---------	-----------	------------------	---------

## **INFINITI TRUCK - SUV - QX4 (cont.)**

<p><b>TRANSFER CASE</b></p> <p><b>Selector Shaft Seal/Man. Shaft</b></p> <p>2000-1997 (TX10A)</p> <p>Seal .....221710</p> <p>Kwik Slv (Opt Rpr) .....KWK99068</p>	<p><b>CAMSHAFT SEAL</b></p> <p><b>6 Cylinder</b></p> <p>2000-1997 3274cc/3.3L</p> <p>Seal .....224052[2]</p> <p>Kwik Slv (Opt Rpr) .....KWK99157[2]</p>
<p><b>4-SPEED AUTOMATIC TRANSMISSION</b></p> <p><b>Torque Converter</b></p> <p>2000-1997 (RE4R01A)</p> <p>Seal .....224663</p> <p>Kwik Slv (Opt Rpr) .....KWK99181</p>	<p><b>CRANKSHAFT FRONT SEAL</b></p> <p><b>6 Cylinder</b></p> <p>2000-1997 3274cc/3.3L</p> <p>Seal .....224052</p> <p>Kwik Slv (Opt Rpr) .....KWK99157</p>
<p><b>Rear Seal/Ext. Housing</b></p> <p>2000-1997 (RE4R01A)</p> <p>Seal .....223801</p>	<p><b>CRANKSHAFT REAR SEAL</b></p> <p><b>6 Cylinder</b></p> <p>2000-1997 3274cc/3.3L</p> <p>Seal Viton ..... 228410</p>
<p><b>Selector Shaft Seal/Man. Shaft</b></p> <p>2000-1997 (RE4R01A)</p> <p>Seal .....2027</p>	

## **INFINITI TRUCK - SUV - QX56**

<p><b>FRONT WHEEL</b></p> <p>2006-2004 QX56</p> <p>Hub Assembly .....SP500701[2]<sup>76</sup></p>	
<p><b>REAR WHEEL</b></p> <p>2006-2004</p> <p>Hub Assembly .....SP500702[2]<sup>76</sup></p>	

## **INTERNATIONAL TRUCK - 1/2, 3/4, 1, 1-1/2, 2 TON - All Models - by axle designation**

<p><b>REAR AXLE</b></p> <p><b>Differential</b></p> <p>1991-1990 (14038 axle)</p> <p>Bearing Assembly .....32218M[2]</p>	<p><b>REAR AXLE</b></p> <p><b>Pinion</b></p> <p>1991-1990 (14021, 14022 axle)</p> <p>Bearing Assembly (Inne .....30311</p> <p>Bearing Assembly (Outer) .....30309M</p> <p>1991-1990 (14038 axle)</p> <p>Bearing Assembly (Inne .....30311</p>
---	---

## **ISOTTA FRASCHINI**

<p><b>FRONT WHEEL</b></p> <p>1999-1996 T8 spider</p> <p>Ball Bearing .....510019[2]</p>	
<p><b>REAR WHEEL</b></p> <p>1999-1996 T8 spider</p> <p>Ball Bearing .....510019[2]</p>	

### FRONT WHEEL

<b>1993-1991</b>	Stylus	
	Seal .....	1953S[2]
	Ball Bearing .....	510033[2]
<b>1993-1991</b>	Stylus (Turbo)	
	Seal (Inner) .....	710194[2]
	Bearing Assembly (Inne .....	517005WB[2]
	Seal (Outer) .....	710192[2]
<b>1992-1990</b>	Impulse (Turbo)	
	Seal (Inner) .....	710194[2]
	Bearing Assembly (Inne .....	517005WB[2]
	Seal (Outer) .....	710192[2]
<b>1992-1990</b>	Impulse (w/o Turbo)	
	Seal .....	1953S[2]
	Ball Bearing .....	510033[2]

### REAR WHEEL

<b>1993-1991</b>	Stylus	
	Hub Assembly .....	512171[2]
<b>1992-1990</b>	Impulse (FWD)	
	Hub Assembly .....	512171[2]

### REAR AXLE

#### Differential

<b>1992-1991</b>	Impulse (AWD)	
	Cone/Cup .....	LM501349-LM501314[2]

#### Pinion

<b>1992-1991</b>	Impulse (AWD)	
	Cone/Cup (Inner) .....	02475-02420
	Seal (Outer) .....	473258
	Bearing Assembly	
	(Outer) .....	30305M
	Kwik Slv (Opt Rpr) .....	KWK99139

### TRANSMISSION REBUILD KIT

<b>1993-1990</b>	(MSG5G)	
	Kit .....	TRKF1120

### CLUTCH

#### Pilot Bearing

<b>1997-1996</b>	4 Cyl. 2.2	
	Bushing H/D .....	PB652HD
<b>1996-1992</b>	6 Cyl. 3.2 (SOHC)(DOHC)	
	Ball Bearing .....	203FFW
<b>1995-1990</b>	4 Cyl.	
	Ball Bearing .....	203FF
<b>1994-1990</b>	6 Cyl. 2.8	
	Bushing H/D .....	PB652HD
<b>1994-1990</b>	6 Cyl. 3.1	
	Bushing H/D .....	PB652HD

#### Release Bearing

<b>1999-1998</b>	4 Cyl. 2.2 (260mm Cl.)	
	Bearing Assembly .....	614154
<b>1998-1996</b>	4 Cyl. 2.2 (Hyd.piston type)	
	Bearing Assembly .....	614174
<b>1998-1991</b>	6 Cyl. 3.1 (260mm Cl.)	
	Bearing Assembly .....	614154

### CLUTCH (cont.)

#### Release Bearing (cont.)

<b>1998-1991</b>	6 Cyl. 3.2 (260mm Cl.)	
	Bearing Assembly .....	614154
<b>1998-1991</b>	6 Cyl. 3.2 (DOHC)(260mm Cl.)	
	Bearing Assembly .....	614154
<b>1998-1991</b>	6 Cyl. 3.5 (260mm Cl.)	
	Bearing Assembly .....	614154
<b>1997-1993</b>	4 Cyl. 2.6 (260mm Cl.)(MUA Trans.)	
	Bearing Assembly .....	614154
<b>1997-1993</b>	4 Cyl. 2.6 (260mm Cl.)(Warner Trans.)	
	Bearing Assembly .....	614163
<b>1997-1993</b>	6 Cyl. 3.2 (240mm Cl.)	
	Bearing Assembly .....	614163
<b>1995-1990</b>	4 Cyl. 1.9 (215mm Cl.)	
	Bearing Only .....	01496
<b>1995-1990</b>	4 Cyl. 2.6 (246mm Cl.)	
	Bearing Only .....	613012
<b>1995-1990</b>	4 Cyl. 3.9 (Diesel)(300mm Cl.)	
	Bearing Only .....	613014
<b>1995-1990</b>	4 Cyl. 3.9 (Turbo Diesel)(300mm Cl.)	
	Bearing Only .....	613014
<b>1995-1990</b>	4 Cyl. 2.3 (215mm Cl.)	
	Bearing Only .....	01496
<b>1994-1991</b>	6 Cyl. 3.1 (246mm Cl.)	
	Bearing Only .....	613012
<b>1993-1990</b>	4 Cyl. 1.5 (Turbo)(215mm Cl.)	
	Bearing Assembly .....	614108
<b>1993-1990</b>	4 Cyl. 1.6 (215mm Cl.)	
	Bearing Assembly .....	614108
<b>1993-1990</b>	4 Cyl. 1.6 (DOHC)(215mm Cl.)	
	Bearing Assembly .....	614108
<b>1993-1990</b>	4 Cyl. 1.6 (DOHC)(Turbo)(215mm Cl.)	
	Bearing Assembly .....	614108
<b>1993-1990</b>	4 Cyl. 1.8 (DOHC)(215mm Cl.)	
	Bearing Assembly .....	614108
<b>1992-1991</b>	6 Cyl. 3.1 (240mm Cl.)(MUA Trans.)	
	Bearing Only .....	613012
<b>1992-1991</b>	6 Cyl. 3.1 (240mm Cl.)(Warner Trans.)	
	Bearing Assembly .....	614083
<b>1991-1990</b>	6 Cyl. 2.8 (235mm Cl.)	
	Bearing Only .....	613012

### 3-SPEED AUTOMATIC TRANSAXLE

#### Torque Converter

<b>1993-1990</b>	(F3A)	
	Seal Viton .....	710078
	Kwik Slv (Opt Rpr) .....	KWK99177

# Bearings and Seals

Mfg./Year	Model & Location	Part No	Mfg./Year	Model & Location	Part No
-----------	------------------	---------	-----------	------------------	---------

## **ISUZU - FRONT DRIVE - Impulse, Impulse AWD, Stylus (cont.)**

### **3-SPEED AUTOMATIC TRANSAXLE**

#### **Output Shaft**

1993-1990 Stylus, lmark (F3A)	
Seal .....	223542[2]
Kwik Slv (Opt Rpr) .....	KWK99139[2]

#### **Differential**

1993-1990 (F3A)	
Bearing Assembly .....	32008XM[2]

### **4-SPEED AUTOMATIC TRANSAXLE**

#### **Differential**

1992-1990 Impulse (JF403)	
Bearing Assembly .....	30208M[2]

#### **Torque Convertor**

1992-1990 Impulse (JF403)	
Seal .....	710114

### **5-SPEED MANUAL TRANSAXLE**

#### **Differential**

1993-1990 (MFD5M)	
Bearing Assembly .....	32008XM[2]
1992-1990 (MFD5T)	
Bearing Assembly (LH) .....	32008XM

#### **Input Shaft**

1993-1990 (MFD5M, MFD5T)	
Seal .....	222835
Kwik Slv (Opt Rpr) .....	KWK99111
Bearing Assembly (Frnt) .....	32206M
Bearing Assembly (Rr) .....	30306M

#### **Output Shaft**

1993-1990 (MFD5M)	
Set (LH) .....	SET5
Seal (RH) .....	223542
Bearing Assembly (RH) .....	32206M
Kwik Slv (Opt Rpr) .....	KWK99139
1992-1990 (MFD5T)	
Seal (LH) .....	3543
Kwik Slv (Opt Rpr) (LH) .....	KWK99139
Seal Viton (RH) .....	710428
Kwik Slv (Opt Rpr) (RH) .....	KWK99210

### **5-SPEED MANUAL TRANSAXLE**

#### **Selector Shaft Seal/Man. Shaft**

1993-1990 (MFD5M, MFD5T)	
Seal .....	3667

### **ALTERNATOR**

1995-1990 Hitachi 60 Amp.	
Ball Bearing (Drive End) .....	303CC
Ball Bearing (Rear End) .....	201CC

### **CAMSHAFT SEAL**

#### **4 Cylinder**

1993-1990 1588cc/1.6L (DOHC)	
Seal .....	710308[2]
Kwik Slv (Opt Rpr) .....	KWK99157[2]

### **CRANKSHAFT FRONT SEAL**

#### **4 Cylinder**

1993-1990 1471cc/1.5L, 1471cc/1.5L (Turbo), 1588cc/1.6L, 1588cc/1.6L (DOHC), 1808CC/ 1.8L (DOHC)	
Seal .....	223220
Kwik Slv (Opt Rpr) .....	KWK99128

### **CRANKSHAFT REAR SEAL**

#### **4 Cylinder**

1993-1990 1471cc/1.5L, 1471cc/1.5L (Turbo), 1588cc/1.6L, 1588cc/1.6L (DOHC), 1808CC/ 1.8L (DOHC)	
Seal .....	228700

## **ISUZU TRUCK - MINIVAN, PICKUP, SUV - Amigo, Ascender, Axiom, Hombre, Oasis, P'up, Pickup, Rodeo, Rodeo Sport, Trooper, Trooper II, VehiCROSS**

### **FRONT WHEEL**

#### **2WD**

2006-2003 Ascender	
Hub Assembly .....	513188[2]
2004-2002 Axiom (Built from 11/2001)	
Hub Assembly .....	HA590653[2]
2004-2002 Rodeo, Rodeo Sport	
Hub Assembly .....	HA590653[2]

### **FRONT WHEEL (cont.)**

#### **2WD (cont.)**

2002 Axiom (Built to 10/2001)	
Seal (Inner) .....	710168[2]
Cone/Cup (Inner) .....	NP697136-NP592766[2]
Cone/Cup (Outer) .....	NP654538-NP177400[2]

**ISUZU TRUCK - MINIVAN, PICKUP, SUV - Amigo, Ascender, Axiom, Hombre, Oasis, P'up, Pickup, Rodeo, Rodeo Sport, Trooper, Trooper II, VehiCROSS (cont.)**

**FRONT WHEEL (cont.)**

**2WD (cont.)**

<b>2001-1995</b>	Rodeo, Rodeo Sport	
	Seal (Inner) .....	710168[2]
	Cone/Cup (Inner) .....	NP697136-NP592766[2]
	Cone/Cup (Outer) .....	NP654538-NP177400[2]
<b>2000-1998</b>	Amigo	
	Seal (Inner) .....	710168[2]
	Cone/Cup (Inner) .....	NP697136-NP592766[2]
	Cone/Cup (Outer) .....	NP654538-NP177400[2]
<b>2000-1996</b>	Hombre	
	Seal (Inner) .....	4739[2]
	Set (Inner) .....	SET6[2]
	Set (Outer) .....	SET34[2]
<b>1999-1995</b>	Oasis Van	
	Bearing Module .....	510038[2]
<b>1996-1995</b>	Trooper	
	Seal (Inner) .....	710168[2]
	Cone/Cup (Inner) .....	NP697136-NP592766[2]
	Cone/Cup (Outer) .....	NP654538-NP177400[2]
<b>1994-1991</b>	Rodeo	
	Seal (Inner) .....	710168[2]
	Cone/Cup (Inner) .....	XAA32009X-Y32009X[2]
	Bearing Assembly (Outer) .....	32008XM[2]
<b>1994-1990</b>	Amigo	
	Seal (Inner) .....	710168[2]
	Bearing Assembly (Inner) .....	32009XM[2]
	Bearing Assembly (Outer) .....	32008XM[2]
<b>1994-1990</b>	Pup, Pickup	
	Seal (Inner) .....	1974[2]
	Set (Inner) .....	SET5[2]
	Set (Outer) .....	SET3[2]
<b>1994-1990</b>	Trooper	
	Seal (Inner) .....	1974[2]
	Set (Inner) .....	SET5[2]
	Set (Outer) .....	SET3[2]

**4WD/AWD**

<b>2006-2003</b>	Ascender	
	Hub Assembly .....	513188[2]
<b>2004-2002</b>	Axiom (Built from 11/2001)	
	Hub Assembly .....	HA590644[2]
<b>2004-2002</b>	Rodeo, Rodeo Sport	
	Hub Assembly .....	HA590644[2]
<b>2002</b>	Axiom (Built to 10/2001)	
	Seal (Inner) .....	710168[2]
	Cone/Cup (Inner) .....	NP697136-NP592766[2]
	Cone/Cup (Outer) .....	NP654538-NP177400[2]
<b>2002-1990</b>	Trooper	
	Seal (Inner) .....	710168[2]
	Cone/Cup (Inner) .....	NP697136-NP592766[2]
	Cone/Cup (Outer) .....	NP654538-NP177400[2]
<b>2001-1999</b>	VehiCROSS	
	Seal (Inner) .....	710168[2]
	Cone/Cup (Inner) .....	NP697136-NP592766[2]
	Cone/Cup (Outer) .....	NP654538-NP177400[2]

**FRONT WHEEL (cont.)**

**4WD/AWD (cont.)**

<b>2001-1995</b>	Rodeo, Rodeo Sport	
	Seal (Inner) .....	710168[2]
	Cone/Cup (Inner) .....	NP697136-NP592766[2]
	Cone/Cup (Outer) .....	NP654538-NP177400[2]
<b>2000-1998</b>	Amigo	
	Seal (Inner) .....	710168[2]
	Cone/Cup (Inner) .....	NP697136-NP592766[2]
	Cone/Cup (Outer) .....	NP654538-NP177400[2]
<b>2000-1998</b>	Hombre	
	Hub Assembly .....	513124[2]
<b>1994-1991</b>	Rodeo	
	Seal (Inner) .....	710168[2]
	Cone (Inner) .....	32009XA[2]
	Cone (Outer) .....	A140[2]
<b>1994-1990</b>	Amigo	
	Seal (Inner) .....	710168[2]
	Cone (Inner) .....	32009XA[2]
	Cone (Outer) .....	A140[2]
<b>1994-1990</b>	Pup, Pickup (4WD)	
	Seal (Inner) .....	710168[2]
	Cone (Inner) .....	32009XA[2]
	Cone (Outer) .....	A140[2]

**REAR WHEEL**

<b>2006-2003</b>	Ascender	
	Seal .....	4762N[2]
	Cylindrical Bearing .....	513067[2]
	Kit .....	TRP59047[2] <sup>19</sup>
<b>2004-1998</b>	Amigo, Axiom, Rodeo, Rodeo Sport	
	Seal .....	9912S[2]
	Ball Bearing .....	RW131R[2]
<b>2002-1990</b>	Trooper, Trooper II From 7/87, VehiCROSS	
	Seal (Inner) .....	225230[2]
	Ball Bearing (Inner) .....	511016[2]
	Seal (Outer) .....	473179[2]
<b>2000-1996</b>	Hombre (GM Axle)(7.625" R.G.)	
	Cylindrical Bearing .....	5707[2]
<b>1999-1996</b>	Oasis Van	
	Hub Assembly .....	512124[2]
<b>1997-1991</b>	Rodeo (GM Axle)(7.625" R.G.)	
	Seal .....	710166[2]
	Cylindrical Bearing .....	5707[2]
	Kit Opt .....	TRP1563TAV[2] <sup>19</sup>
<b>1995-1994</b>	Rodeo 6 Cyl. 3.2	
	Seal .....	9912S[2]
	Set .....	SET10[2]
<b>1995-1990</b>	Pickup 4 Cyl. 2.3	
	Seal (Inner) .....	473812[2]
	Bearing Assembly (Inner) .....	30208M[2]
	Seal (Outer) .....	473179[2]
<b>1995-1990</b>	Pickup 4 Cyl. 2.6	
	Seal (Inner) .....	225230[2]
	Ball Bearing (Inner) .....	511016[2]
	Seal (Outer) .....	473179[2]

<sup>19</sup>Opt. Axle Rpr Brg. Replaces O.E. Brg & Seal

# Bearings and Seals

Mfg./Year    Model & Location    Part No    Mfg./Year    Model & Location    Part No

## **ISUZU TRUCK - MINIVAN, PICKUP, SUV - Amigo, Ascender, Axiom, Hombre, Oasis, P'up, Pickup, Rodeo, Rodeo Sport, Trooper, Trooper II, VehiCROSS (cont.)**

### **REAR WHEEL (cont.)**

<b>1994-1990</b> Amigo 4 Cyl. 2.6	
Seal (Inner) .....	225230[2]
Ball Bearing (Inner) .....	511016[2]
Seal (Outer) .....	473179[2]
<b>1993-1990</b> Amigo 4 Cyl. 2.3	
Seal (Inner) .....	473812[2]
Bearing Assembly (Inne .....	30208M[2]
Seal (Outer) .....	473179[2]

### **4WD FRONT AXLE**

#### **Axle Shaft**

<b>2002-1996</b> Amigo, Axiom, Rodeo, Trooper, Vehicross	
Seal .....	710516[2]
<b>2000-1998</b> Hombre (7.25" R.G.)	
Needle Bearing .....	B2010
<b>1995-1994</b> Amigo, Pickup, Rodeo, Trooper, Trooper II	
Seal (Inner) .....	710169
Ball Bearing (Inner) .....	106FL[2]
<b>1993-1990</b> Amigo, Pickup, Rodeo, Trooper, Trooper II	
Seal (Inner) .....	710169
Ball Bearing (Inner) .....	106FL[2]
Seal (Outer) .....	710170

#### **Differential**

<b>2004-1990</b> (10 bolt Hsg. cover)	
Set .....	SET45[2]
<b>2000-1998</b> Hombre (7.25" R.G.)	
Set .....	SET11[2]
<b>1999-1996</b> Oasis Van	
Bearing Assembly (LH) .....	30208M

#### **Pinion**

<b>2004-1999</b> (10 bolt Hsg. cover)	
Bearing Assembly (Inne .....	32307
Seal (Outer) .....	710513
Bearing Assembly (Outer) .....	30306M
<b>2000-1998</b> Hombre (7.25" R.G.)	
Cone/Cup (Inner) .....	M88047-M88010[2]
Seal (Outer) .....	8611N
Cone/Cup (Outer) .....	M86649-M86610
<b>1998-1990</b> (10 bolt Hsg. cover)	
Bearing Assembly (Inne .....	32307
Seal (Outer) .....	474133
Bearing Assembly (Outer) .....	30306M

### **REAR AXLE**

#### **Differential Rebuild Kit**

<b>1997-1990</b> Hombre (GM axle)(7.625" R.G.)	
Kit .....	DRK320

### **REAR AXLE**

#### **Differential**

<b>2004-1993</b> (Dana/Spicer 44 3 axle)	
Cone/Cup .....	25590-25523[2]
<b>2000-1999</b> (7.625", 8.50" R.G.)	
Cone/Cup .....	LM501349-LM501314[2]
<b>1999-1990</b> (KS22, NPR (R040) axle)	
Cone/Cup .....	29590-29522[2]
<b>1998-1996</b> Hombre (GM axle)(7.625" R.G.)	
Cone/Cup .....	LM501349-LM501314[2]
<b>1995-1990</b> (10 bolt Hsg. cover) 2.6	
Bearing Assembly .....	30210M[2]
<b>1994-1990</b> (10 bolt Hsg. cover) 2.3	
Set .....	SET45[2]

#### **Pinion**

<b>2004-1998</b> (GM Axle)(8.50" R.G.)	
Cone/Cup (Inner) .....	M802048-M802011
Seal (Outer) .....	710506
Cone/Cup (Outer) .....	M88048-M88010
<b>2000-1990</b> Pickup (GM axle)(7.625" R.G.)	
Cone/Cup (Inner) .....	HM89249-HM89210
Seal (Outer) .....	8610
Cone/Cup (Outer) .....	M86649-M86610
<b>1996-1990</b> Rodeo (GM axle)(7.625" R.G.)	
Cone/Cup (Inner) .....	HM89249-HM89210
Seal (Outer) .....	8610
Cone/Cup (Outer) .....	M86649-M86610

### **TRANSFER CASE REBUILD KIT**

<b>2000-1998</b>	
Kit .....	TRKF1190

### **TRANSFER CASE**

#### **Input Shaft**

<b>2000-1998</b> (New Process 233)	
Seal .....	3173[2]
Ball Bearing .....	110L
Seal Dual Lip Opt .....	710928
Kwik Slv (Opt Rpr) .....	KWK99193
Needle Bearing (Pilot) .....	
Pilot .....	FC66561
<b>1994-1990</b>	
Seal .....	710247
Ball Bearing .....	207
Kwik Slv (Opt Rpr) .....	KWK99149

#### **Front Output Shaft**

<b>2000-1998</b> (New Process 233)	
Seal Viton .....	4813V
Ball Bearing .....	206WB
Needle Bearing Pilot .....	J2416

Mfg./Year    Model & Location    Part No    Mfg./Year    Model & Location    Part No

---

**ISUZU TRUCK - MINIVAN, PICKUP, SUV - Amigo, Ascender, Axiom, Hombre, Oasis, P'up, Pickup, Rodeo, Rodeo Sport, Trooper, Trooper II, VehiCROSS (cont.)**

---

**TRANSFER CASE**

**Rear Output Shaft**

<b>2000-1998</b> (New Process 233)	
Seal .....	9613S
Ball Bearing .....	206WB
Seal Kit Opt .....	5200 <sup>64</sup>
Needle Bearing Pilot .....	B5020[2]
<b>1994-1990</b>	
Ball Bearing .....	307TB

**Oil Pump Housing**

<b>2000-1998</b> (New Process 233)	
Seal .....	341022
Kwik Slv (Opt Rpr) .....	KWK99225

**TRANSMISSION REBUILD KIT**

<b>2002-1991</b> (MSG5G)	
Kit .....	TRKFI200
<b>2002-1991</b> (Warner T5 World Class)	
Kit .....	TRK5W
<b>2002-1991</b> 9MSG5F)	
Kit .....	TRKFI160
<b>2000-1996</b> (New Venture 1500)	
Kit .....	TRK1500GM
<b>2000-1990</b> 7/1987 Trooper, Rodeo, Amigo	
Kit .....	TRKI130
<b>1995-1990</b> (MSG5K)	
Kit .....	TRKFI110
<b>1991-1990</b> (MSG5F)	
Kit .....	TRKFI130

**4-SPEED AUTOMATIC TRANSMISSION**

**Torque Converter**

<b>2002-1991</b> (4L30E)(THM700R4)	
Seal .....	3227
Kwik Slv (Opt Rpr) .....	KWK99174
<b>2000-1996</b> (4L60E)	
Seal .....	4950
Kwik Slv (Opt Rpr) .....	KWK99174
<b>2000-1993</b> (4L80E)	
Seal .....	4598
Kwik Slv (Opt Rpr) .....	KWK99199
<b>1994-1990</b> (Aisin O3 75, O3 80)	
Seal .....	223830
Kwik Slv (Opt Rpr) .....	KWK99147

**Rear Seal/Ext. Housing**

<b>2002-1991</b> (4L30E)(4L60E)(THM700R4)	
Seal .....	9613S
Seal Kit .....	5200 <sup>64</sup>
<b>2000-1993</b> (4L80E)	
Seal .....	9449
Seal Kit .....	5208 <sup>64</sup>
<b>1994-1990</b> (Aisin O3 75, O3 80)	
Seal .....	710319

**4-SPEED AUTOMATIC TRANSMISSION**

**Selector Shaft Seal/Man. Shaft**

<b>2002-1991</b> (4L30E)(4L60E)(4L80E)(THM70 OR4)	
Seal .....	8792S

**CLUTCH**

**Pilot Bearing**

<b>1997-1996</b> 4 Cyl. 2.2	
Bushing H/D .....	PB652HD
<b>1996-1992</b> 6 Cyl. 3.2 (SOHC)(DOHC)	
Ball Bearing .....	203FFW
<b>1995-1990</b> 4 Cyl.	
Ball Bearing .....	203FF
<b>1994-1990</b> 6 Cyl. 2.8	
Bushing H/D .....	PB652HD
<b>1994-1990</b> 6 Cyl. 3.1	
Bushing H/D .....	PB652HD

**Release Bearing**

<b>1999-1998</b> 4 Cyl. 2.2 (260mm Cl.)	
Bearing Assembly .....	614154
<b>1998-1996</b> 4 Cyl. 2.2 (Hyd.piston type)	
Bearing Assembly .....	614174
<b>1998-1991</b> 6 Cyl. 3.1 (260mm Cl.)	
Bearing Assembly .....	614154
<b>1998-1991</b> 6 Cyl. 3.2 (260mm Cl.)	
Bearing Assembly .....	614154
<b>1998-1991</b> 6 Cyl. 3.2 (DOHC)(260mm Cl.)	
Bearing Assembly .....	614154
<b>1998-1991</b> 6 Cyl. 3.5 (260mm Cl.)	
Bearing Assembly .....	614154
<b>1997-1993</b> 4 Cyl. 2.6 (260mm Cl.)(MUA Trans.)	
Bearing Assembly .....	614154
<b>1997-1993</b> 4 Cyl. 2.6 (260mm Cl.)(Warner Trans.)	
Bearing Assembly .....	614163
<b>1997-1993</b> 6 Cyl. 3.2 (240mm Cl.)	
Bearing Assembly .....	614163
<b>1995-1990</b> 4 Cyl. 1.9 (215mm Cl.)	
Bearing Only .....	01496
<b>1995-1990</b> 4 Cyl. 2.6 (246mm Cl.)	
Bearing Only .....	613012
<b>1995-1990</b> 4 Cyl. 3.9 (Diesel)(300mm Cl.)	
Bearing Only .....	613014
<b>1995-1990</b> 4 Cyl. 3.9 (Turbo Diesel)(300mm Cl.)	
Bearing Only .....	613014
<b>1995-1990</b> 4 Cyl. 2.3 (215mm Cl.)	
Bearing Only .....	01496
<b>1994-1991</b> 6 Cyl. 3.1 (246mm Cl.)	
Bearing Only .....	613012
<b>1993-1990</b> 4 Cyl. 1.5 (Turbo)(215mm Cl.)	
Bearing Assembly .....	614108
<b>1993-1990</b> 4 Cyl. 1.6 (215mm Cl.)	
Bearing Assembly .....	614108
<b>1993-1990</b> 4 Cyl. 1.6 (DOHC)(215mm Cl.)	
Bearing Assembly .....	614108

<sup>64</sup>Opt. Seal & Bushing Kit

# Bearings and Seals

Mfg./Year    Model & Location    Part No    Mfg./Year    Model & Location    Part No

## **ISUZU TRUCK - MINIVAN, PICKUP, SUV - Amigo, Ascender, Axiom, Hombre, Oasis, P'up, Pickup, Rodeo, Rodeo Sport, Trooper, Trooper II, VehiCROSS (cont.)**

### **CLUTCH (cont.)**

#### **Release Bearing (cont.)**

1993-1990	4 Cyl. 1.6 (DOHC)(Turbo)(215mm Cl.)	
	Bearing Assembly	614108
1993-1990	4 Cyl. 1.8 (DOHC)(215mm Cl.)	
	Bearing Assembly	614108
1992-1991	6 Cyl. 3.1 (240mm Cl.)(MUA Trans.)	
	Bearing Only	613012
1992-1991	6 Cyl. 3.1 (240mm Cl.)(Warner Trans.)	
	Bearing Assembly	614083
1991-1990	6 Cyl. 2.8 (235mm Cl.)	
	Bearing Only	613012

### **5-SPEED MANUAL TRANSMISSION**

#### **Front Input Shaft**

2002-1992	(MUA5C, MUA5CT)	
	Seal	710511
2000-1997	(New Process 3500)	
	Seal	4529N
	Ball Bearing	307FFLS
	Kwik Slv (Opt Rpr)	KWK99138
2000-1996	(New Process 1500)	
	Seal	223020
	Ball Bearing	306VVL
1999-1998	(Warner T5)	
	Seal	7412S
	Set	SET5
	Kwik Slv (Opt Rpr)	KWK99125
	Needle Bearing	FA55505
1994-1991	(Warner T5)	
	Seal	7412S
	Set	SET5
	Kwik Slv (Opt Rpr)	KWK99125
	Needle Bearing	FA55505
1994-1990	(MSG5A, MAG5C, MSG5T)	
	Seal	1990
	Ball Bearing	208LO
	Kwik Slv (Opt Rpr)	KWK99106
1993-1990	(MSA5D, MSG5D, MSG5R)	
	Seal	1990
	Kwik Slv (Opt Rpr)	KWK99106
1991-1990	(MUA5, MUA5T)	
	Seal	710157
	Kwik Slv (Opt Rpr)	KWK99103

#### **Countershaft**

2000-1997	(New Process 3500)	
	Needle Bearing	FC68336[2]
2000-1996	(New Process 1500)	
	Needle Bearing (Frnt)	FC68336
	Ball Bearing (Rr)	206FF
1999-1998	(Warner T5)	
	Cone/Cup (Frnt)	LM67048-LM67010BCE
	Set (Rr)	SET6
	Needle Bearing Thrust	NTA1423

### **5-SPEED MANUAL TRANSMISSION (cont.)**

#### **Countershaft (cont.)**

1994-1991	(Warner T5)	
	Cone/Cup (Frnt)	LM67048-LM67010BCE
	Set (Rr)	SET6
	Needle Bearing Thrust	NTA1423

#### **Mainshaft Pilot**

1999-1991	(Warner T5)	
	Needle Bearing	QBR23549[15]

#### **Mainshaft 1st Speed Gear**

1999-1991	(Warner T5)	
	Needle Bearing	F218255

#### **Mainshaft 2nd Speed Gear**

1999-1991	(Warner T5)	
	Needle Bearing	F93934

#### **Rear Output Shaft**

2002-1990	(MUA5T, MUA5CT)	
	Seal	224250
2002-1990	(MUA5, MSG5C, MUA5C, MSG5F)	
	Seal	710247
2000-1997	(New Process 3500)	
	Seal	416288
	Ball Bearing	307FFTB
2000-1996	(New Process 1500)	
	Seal	416288
	Ball Bearing	306L
1999-1991	(Warner T5)	
	Seal	710441
	Cone/Cup	25877-25821
1993-1990	(MSA5D)	
	Ball Bearing	308FFL

### **4-SPEED AUTOMATIC TRANSAXLE**

#### **Differential**

1997-1996	(MPJA)	
	Bearing Assembly (LH)	30208M

#### **Torque Converter**

1999-1996	(MDWA, MPJA)	
	Seal	350609

#### **Input Shaft**

1999-1996	(MDWA, MPJA)	
	Seal	220918

**ISUZU TRUCK - MINIVAN, PICKUP, SUV - Amigo, Ascender, Axiom, Hombre, Oasis, P'up, Pickup, Rodeo, Rodeo Sport, Trooper, Trooper II, VehiCROSS (cont.)**

**4-SPEED AUTOMATIC TRANSAXLE**

**Output Shaft**

<b>1999-1998</b>	(MDWA)	
Seal (LH)	.....	710315
Kwik Slv (Opt Rpr) (LH)	.....	KWK99139
Seal (RH)	.....	224066
Kwik Slv (Opt Rpr) (RH)	.....	KWK99157
<b>1997-1996</b>	(MPJA)	
Seal (LH)	.....	2007N
Kwik Slv (Opt Rpr) (LH)	.....	KWK99139
Seal (RH)	.....	224066
Kwik Slv (Opt Rpr) (RH)	.....	KWK99157

**Pinion**

<b>1997-1996</b>	(MPJA)	
Seal	.....	222830
Kwik Slv (Opt Rpr)	.....	KWK99111

**Selector Shaft Seal/Man. Shaft**

<b>1997-1996</b>	(MPJA)	
Seal	.....	221207
Kwik Slv (Opt Rpr)	.....	KWK99049

**ALTERNATOR**

<b>1995-1990</b>	Hitachi 60 Amp.	
Ball Bearing (Drive End)	.....	303CC
Ball Bearing (Rear End)	.....	201CC

**DRIVESHAFT SUPPORT**

<b>2000-1996</b>	(Spicer 1280 1410)(1.3780" Brg. I.D.)	
Ball Bearing	.....	88107
Hanger Brg Assy	.....	HB88107A
Hanger Brg Assy Assy.		
w/ Slings	.....	HB88107E
<b>1997-1991</b>	Rodeo (2WD)	
Hanger Brg Assy	.....	HB32
<b>1997-1991</b>	Rodeo (4WD)	
Hanger Brg Assy	.....	HB33

**CV JOINT HALF SHAFT**

<b>1999-1996</b>	Oasis Van	
Seal	.....	710300

**CAMSHAFT SEAL**

**4 Cylinder**

<b>1997-1990</b>	2254cc/2.3L, 2559cc/2.6L	
Seal	.....	223014
Kwik Slv (Opt Rpr)	.....	KWK99114

**CAMSHAFT SEAL**

**6 Cylinder**

<b>2003-1992</b>	3165cc/3.2 (DOHC), 3494cc/3.5L (DOHC)	
Seal	.....	223014[2]
Kwik Slv (Opt Rpr)	.....	KWK99114[2]

**CRANKSHAFT FRONT SEAL**

**4 Cylinder**

<b>2000-1996</b>	134/2.2L	
Seal	.....	9845
Kwik Slv (Opt Rpr)	.....	KWK99176
<b>1999-1998</b>	2254cc/2.3L	
Seal	.....	224015
Kwik Slv (Opt Rpr)	.....	KWK99157
<b>1997-1996</b>	2156cc/2.2L	
Seal	.....	224015
Kwik Slv (Opt Rpr)	.....	KWK99157
<b>1997-1990</b>	2254cc/2.3L, 2559cc/2.6L	
Seal	.....	224025
Kwik Slv (Opt Rpr)	.....	KWK99157

**6 Cylinder**

<b>2000-1992</b>	3165cc/3.2, 3494cc/3.5L	
Seal	.....	224025
Kwik Slv (Opt Rpr)	.....	KWK99157
<b>1994-1990</b>	173/2.8L, 189/3.1L	
Seal	.....	9845
Kwik Slv (Opt Rpr)	.....	KWK99176

**CRANKSHAFT REAR SEAL**

**6 Cylinder**

<b>2003-1992</b>	3165cc/3.2, 3494cc/3.5L	
Seal	.....	710060
Kwik Slv (Opt Rpr)	.....	KWK99364
<b>2000-1997</b>	262/4.3L	
Seal Viton	.....	4359V
Seal PTFE H/D	.....	5274
<b>1994-1990</b>	173/2.8L, 189/3.1L	
Seal	.....	4307V
Seal PTFE H/D Opt	.....	5273
Kwik Slv (Opt Rpr)	.....	KWK99298



# Bearings and Seals

Mfg./Year	Model & Location	Part No	Mfg./Year	Model & Location	Part No
<b>ISUZU TRUCK MEDIUM DUTY - EVR, FRR, FSR, FTR, FVR, NRR</b>					

## FRONT WHEEL

<b>1998-1997</b>	(FVR 11,000 lb. Axle)	
Seal (Inner)	.....	370211A[2] <sup>57</sup>
Bearing Assembly (Outer)	.....	33208[2]
<b>1998-1997</b>	(FVR 12,000 lb. and 14,600 lb. Axle)	
Seal Viton (Inner)	.....	370212A <sup>57</sup>
Cone/Cup (Inner)	.....	JF7049A-JF7010[2]
Cone/Cup (Outer)	.....	JM205149-JM205110[2]
<b>1998-1997</b>	FRR	
Seal (Inner)	.....	710087[2]
Bearing Assembly (Inne)	.....	513046[2]
Bearing Assembly (Outer)	.....	513045[2]
<b>1998-1997</b>	FSR	
Seal Viton (Inner)	.....	370199A <sup>57</sup>
Cone/Cup (Inner)	.....	JM205149-JM205110[2]
Bearing Assembly (Outer)	.....	32207M[2]
<b>1998-1997</b>	FTR	
Seal (Inner)	.....	370211A[2] <sup>57</sup>
Bearing Assembly (Outer)	.....	33208[2]
<b>1996-1990</b>	FTR (Air Brks.)	
Seal (Inner)	.....	710084[2]
Cone/Cup (Inner)	.....	H414245A-H414210[2]
Bearing Assembly (Outer)	.....	513047[2]
<b>1996-1990</b>	FRR	
Seal (Inner)	.....	710087[2]
Bearing Assembly (Inne)	.....	513046[2]
Bearing Assembly (Outer)	.....	513045[2]
<b>1996-1990</b>	FSR	
Seal (Inner)	.....	710087[2]
Bearing Assembly (Inne)	.....	513046[2]
Bearing Assembly (Outer)	.....	513045[2]
<b>1996-1990</b>	FTR (Air/Hyd.Brks.)	
Seal (Inner)	.....	710088[2]
Cone/Cup (Inner)	.....	HM212047-HM212011[2]
Cone/Cup (Outer)	.....	4388-4335[2]
<b>1996-1990</b>	FVR	
Seal (Inner)	.....	710084[2]
Cone/Cup (Inner)	.....	H414245X-H414210[2]
Bearing Assembly (Outer)	.....	513047[2]
<b>1994-1990</b>	NRR	
Seal (Inner)	.....	710087[2]
Bearing Assembly (Inne)	.....	32310[2]
Bearing Assembly (Outer)	.....	513045[2]
<b>1994-1990</b>	EVR	
Seal (Inner)	.....	710084[2]
Cone/Cup (Inner)	.....	H414245X-H414210[2]
Bearing Assembly (Outer)	.....	513047[2]

## REAR WHEEL

<b>1998-1997</b>	(FSR Spicer S150S Axle)	
Seal (Inner)	.....	370008A[2] <sup>57</sup>
Cone/Cup (Inner)	.....	33287-33462[2]
Cone/Cup (Outer)	.....	3982-3920[2]
<b>1998-1997</b>	FRR	
Seal (Inner)	.....	710085[2]
Bearing Assembly (Inne)	.....	32215[2]
Seal (Outer)	.....	710086[2]
Bearing Assembly (Outer)	.....	32213M[2]
<b>1996-1990</b>	FRR	
Seal (Inner)	.....	710085[2]
Bearing Assembly (Inne)	.....	32215[2]
Seal (Outer)	.....	710086[2]
Bearing Assembly (Outer)	.....	32213M[2]
<b>1996-1990</b>	FSR	
Seal (Inner)	.....	710085[2]
Bearing Assembly (Inne)	.....	32215[2]
Seal (Outer)	.....	710086[2]
Bearing Assembly (Outer)	.....	32213M[2]
<b>1996-1990</b>	(FTR Isuzu R094 Axle)	
Seal (Inner)	.....	710278[2]
Bearing Assembly (Inne)	.....	32216[2]
Seal (Outer)	.....	710277[2]
Bearing Assembly (Outer)	.....	32215[2]
<b>1994-1990</b>	NRR	
Seal (Inner)	.....	710085[2]
Bearing Assembly (Inne)	.....	32215[2]
Seal (Outer)	.....	710086[2]
Bearing Assembly (Outer)	.....	32213M[2]
<b>1994-1990</b>	EVR	
Seal (Inner)	.....	710089[2]
Bearing Assembly (Inne)	.....	32219M[2]
Seal (Outer)	.....	710090[2]
Bearing Assembly (Outer)	.....	32218M[2]
<b>1994-1990</b>	FVR	
Seal (Inner)	.....	710089[2]
Bearing Assembly (Inne)	.....	32219M[2]
Seal (Outer)	.....	710090[2]
Bearing Assembly (Outer)	.....	32218M[2]

## REAR AXLE

### Differential Rebuild Kit

<b>1994-1990</b>	(Spicer M220T axle)	
Kit	.....	DRK214

## CLUTCH

### Pilot Bearing

<b>1999-1990</b>		
Ball Bearing	.....	205FF
Ball Bearing Opt High	.....	
Temperature Seals	.....	205VV

Mfg./Year    Model & Location    Part No    Mfg./Year    Model & Location    Part No

---

**ISUZU TRUCK MEDIUM DUTY - EVR, FRR, FSR, FTR, FVR, NRR (cont.)**

---

**CLUTCH**

**Release Bearing**

1999-1995	7.1 (Turbo Diesel)(355mm Cl.)	
	Bearing Assembly	613011
1999-1995	7.1 (Turbo Diesel)(380mm Cl.)	
	Bearing Only	613014
1994-1990		
	Bearing Assembly	614009

**DRIVESHAFT SUPPORT**

1997-1991	Isuzu (4WD)	
	Hanger Brg Assy	HB33

**DRIVESHAFT SUPPORT (cont.)**

1997-1991	Isuzu (4WD)	
	Hanger Brg Assy	HB32

---

**IVECO TRUCK - LIGHT Z100, Z110, 1014AS, 110, 120TA, 1211, 1212, 1214, 1214AS, 1216AS, 1314, 1314AS**

---

**FRONT WHEEL**

1991-1990		
	Seal (Inner)	227540[2]
	Bearing Assembly (Inne	30309M[2]
	Bearing Assembly	
	(Outer)	30307M[2]

**REAR WHEEL**

1991-1990	1014AS, 1211, 1213, 1214AS, 1216AS, 1314, 1314AS	
	Bearing Assembly (Inne	30214[2]
	Bearing Assembly	
	(Outer)	30214[2]

---

**IVECO TRUCK - MEDIUM 200, 300, 400, 1500, 1800**

---

**FRONT WHEEL**

1991-1990		
	Seal (Inner)	227540[2]
	Bearing Assembly (Inne	30309M[2]
	Seal (Outer)	717006[2]
	Bearing Assembly	
	(Outer)	30307M[2]

**REAR WHEEL**

1991-1990	2316	
	Bearing Assembly (Inne	32217M[2]
	Cone/Cup (Outer)	JM714249-JM714210[2]
1991-1990	220, 220T, Z220, Z220T, 230T, Z230, Z230T, 1514, 1514AS, 1814, 1816	
	Bearing Assembly	33113[2]

---

**JAGUAR**

---

**FRONT WHEEL**

2004-2003	S Type R (Supercharged)	
	Hub Assembly	HA590224[2] <sup>20</sup>
2004-2000	S Type	
	Hub Assembly	HA590225[2]
2003-2002	X Type	
	Hub Assembly	HA590225[2]
1998-1997	XK8	
	Set	SET49[2]
1997-1993	XJS	
	Set (Inner)	SET17[2]
	Set (Outer)	SET8[2]
1997-1990	XJ6	
	Set (Inner)	SET17[2]
	Set (Outer)	SET8[2]
1992-1990	XJS	
	Seal (Inner)	473454[2]
	Set (Inner)	SET13[2]
	Set (Outer)	SET12[2]

**REAR WHEEL**

2004-2000	S Type	
	Ball Bearing	511032[2]
2003-1993	XJ6, XJ12, XJR, XJS, XK8, Vanden Plas	
	Set (Inner)	SET45[2]
	Cone/Cup (Outer)	LM503349A-LM503310[2]
1992-1990	XJ12, XJS	
	Cone/Cup (Inner)	18590-18520[2]
	Cone/Cup (Outer)	18690-18620[2]
1992-1990	XJ6, Sovereign, Vanden Plas	
	Set (Inner)	SET45[2]
	Cone/Cup (Outer)	LM503349A-LM503310[2]

<sup>20</sup>Not Currently In Production Check For Availability

# Bearings and Seals

Mfg./Year	Model & Location	Part No	Mfg./Year	Model & Location	Part No
-----------	------------------	---------	-----------	------------------	---------

## JAGUAR (cont.)

### REAR AXLE

#### Axle Shaft

1996-1990 (Salisbury axle)  
Set ..... SET17[2]

#### Differential

1993-1992  
Cone/Cup ..... 25577C-25523[2]  
1991-1990  
Cone/Cup ..... 25577-25523[2]

### 4-SPEED AUTOMATIC TRANSMISSION

#### Torque Converter

1995-1994 (4L80E)  
Seal ..... 4598  
Kwik Slv (Opt Rpr) ..... KWK99199  
1995-1990 (ZF 4HP 22, ZF 4HP 24)  
Seal ..... 224052

#### Rear Seal/Ext. Housing

1995-1994 (4L80E)  
Seal ..... 9449  
Seal Kit Opt ..... 5208<sup>64</sup>  
1995-1990 (ZF 4HP 22, ZF 4HP 24)  
Seal ..... 224045

#### Selector Shaft Seal/Man. Shaft

1995-1994 (4L80E)  
Seal ..... 8792S

### 5-SPEED AUTOMATIC TRANSMISSION

#### Torque Converter

2002-1997 (ZF 5HP 24)  
Seal ..... 224015  
Kwik Slv (Opt Rpr) ..... KWK99157

### 5-SPEED AUTOMATIC TRANSMISSION

#### Rear Seal/Ext. Housing

2002-1997 (ZF 5HP 24)  
Seal ..... 224045

### CRANKSHAFT FRONT SEAL

#### 6 Cylinder

2002-2000 181/3.0L (DOHC)  
Seal ..... 482041N  
Kwik Slv (Opt Rpr) ..... KWK99187

#### 12 Cylinder

1996-1990 5343cc/5.3L, 5994cc/6.0L  
Seal ..... 450867  
Kwik Slv (Opt Rpr) ..... KWK99212

### CRANKSHAFT REAR SEAL

#### 6 Cylinder

2003-2000 2497cc/2.5L, 2967cc/3.0L  
Seal Viton ..... 3909  
Seal PTFE H/D Opt ..... 5277  
Kwik Slv (Opt Rpr) ..... KWK99363

## JEEP - Liberty

### FRONT WHEEL

#### 2WD

2005-2002 (ABS)  
Hub Assembly (LH) ..... HA599455L  
Hub Assembly (RH) ..... HA599455R  
2005-2002 (w/o ABS)  
Hub Assembly ..... HA599467[2]

#### 4WD/AWD

2005-2002 (ABS)  
Hub Assembly (LH) ..... HA599455L  
Hub Assembly (RH) ..... HA599455R  
2005-2002 (w/o ABS)  
Hub Assembly ..... HA599467[2]

### REAR WHEEL

2005-2002 (Chrysler Axle)(8.25" R.G.)  
Seal ..... 8835S[2]  
Cylindrical Bearing ..... 6408[2]  
Kit ..... TRP1559TV[2]<sup>19</sup>  
2002 (Dana/Spicer 35 axle)  
Seal ..... 8660S[2]  
Bearing Assembly ..... NP182140-904A1[2]

### 4WD FRONT AXLE

#### Differential

2005-2002  
Cone/Cup ..... LM501349-LM501314[2]

Mfg./Year	Model & Location	Part No	Mfg./Year	Model & Location	Part No
-----------	------------------	---------	-----------	------------------	---------

## JEEP - Liberty (cont.)

### 4WD FRONT AXLE

#### Pinion

<b>2005-2002</b>		
Cone/Cup (Inner)	.....	M802048-M802011
Cone/Cup (Outer)	.....	HM88649-HM88610

### REAR AXLE

#### Differential Rebuild Kit

<b>2005-2002</b>	(8.25" R.G.)	
Kit	.....	DRK303
<b>2004-2002</b>	(Dana/Spicer 35 axle)	
Kit	.....	DRK335

#### Differential

<b>2005-2002</b>	(8.25" R.G.)	
Set	.....	SET36[2]
<b>2002</b>	(Dana/Spicer 35 axle)	
Cone/Cup	.....	LM501349-LM501314[2]

#### Pinion

<b>2005-2002</b>	(8.25" R.G.)	
Cone/Cup (Inner)	.....	M802048-M802011
Seal (Outer)	.....	8516N
Cone/Cup (Outer)	.....	M86649-M86610
<b>2002</b>	(Dana/Spicer 35 axle)	
Cone/Cup (Inner)	.....	HM88648-HM88610
Seal Viton (Outer)	.....	714675
Cone/Cup (Outer)	.....	M86649-M86610

### CAMSHAFT SEAL

#### 4 Cylinder

<b>2004-2002</b>	2.4L	
Seal Viton	.....	320249

### CRANKSHAFT REAR SEAL

#### 4 Cylinder

<b>2003-2002</b>	148/2.4L	
Seal	.....	416654
Kwik Slv (Opt Rpr)	.....	KWK99360

#### 6 Cylinder

<b>2004-2002</b>	226/3.7L	
Seal	.....	722108

## JEEP - SPORT UTILITY VEHICLES - Cherokee, Grand Cherokee

### FRONT WHEEL

#### 2WD

<b>2006-2005</b>	Grand Cherokee	
Hub Assembly	.....	HA590036[2] <sup>25</sup>
<b>2004-1999</b>	Grand Cherokee	
Hub Assembly	.....	HA598679[2]
<b>2001-2000</b>	Cherokee	
Hub Assembly	.....	HA597449[2]
<b>1999-1990</b>	Cherokee	
Hub Assembly	.....	513084[2]
<b>1998-1990</b>	Grand Cherokee	
Hub Assembly	.....	513084[2]

#### 4WD/AWD

<b>2006-2005</b>	Grand Cherokee	
Hub Assembly	.....	HA590036[2] <sup>25</sup>
<b>2004-1999</b>	Grand Cherokee	
Hub Assembly	.....	HA598679[2]
<b>2001-2000</b>	Cherokee (Cast Rotor)	
Hub Assembly	.....	HA597449[2]
<b>1999</b>	Cherokee (Composite Rotor)	
Hub Assembly	.....	513084[2]
<b>1998-1990</b>	Cherokee, Grand Cherokee	
Hub Assembly	.....	513084[2]

### REAR WHEEL

<b>2004-1998</b>	WJ Grand Cherokee (Dana/Spicer 35,44 Axle)	
Bearing Assembly	.....	NP182140-904A1[2]
Seal	.....	8660S[2]
<b>2001</b>	KJ Cherokee (Dana/Spicer 35,44 Axle)(mid year change)	
Bearing Assembly	.....	NP182140-904A1[2]
Seal	.....	8660S[2]
<b>2001-1998</b>	XJ Cherokee (Dana/Spicer 35 Axle)	
Seal	.....	8660S[2]
Cylindrical Bearing	.....	5707[2]
<b>2001-1991</b>	Cherokee, Cherokee Sport (Chrysler Axle)(8.25" R.G.)	
Seal	.....	8835S[2]
Cylindrical Bearing	.....	6408[2]
Kit	.....	TRP1559TV[2] <sup>19</sup>
<b>1997-1994</b>	Grand Cherokee (Dana/Spicer 44)(Fig. Axle Shaft)	
Seal (Inner)	.....	8660S[2]
Set (Inner)	.....	SET10[2]
Seal (Outer)	.....	4857[2]
<b>1997-1990</b>	Cherokee, Grand Cherokee (Dana/Spicer 35 Axle)	
Seal	.....	8660S[2]
Cylindrical Bearing	.....	5707[2]

<sup>19</sup>Opt. Axle Rpr Brg. Replaces O.E. Brg & Seal

<sup>25</sup>New Item, Check For Availability

# Bearings and Seals

Mfg./Year    Model & Location    Part No    Mfg./Year    Model & Location    Part No

## **JEEP - SPORT UTILITY VEHICLES - Cherokee, Grand Cherokee (cont.)**

### **4WD FRONT AXLE**

#### **Differential Rebuild Kit**

1997-1990 (Dana/Spicer 30 axle)  
 Kit ..... DRK3334  
 1993-1990 (Dana/Spicer 44 axle)  
 Kit ..... DRK339B

#### **Differential**

2004-1990 (Dana/Spicer 30, 35 axle)  
 Cone/Cup ..... LM501349-LM501314[2]  
 1993-1990 (Dana/Spicer 44 axle)  
 Cone/Cup ..... 25590-25523[2]

#### **Pinion**

2005  
 Cone/Cup (Inner) ..... HM803146-HM803110  
 Cone/Cup (Outer) ..... M88043-M88010  
 2004-1999 (Dana/Spicer 35 axle)  
 Cone/Cup (Inner) ..... HM88648-HM88610  
 Seal Viton (Outer) ..... 714675  
 Cone/Cup (Outer) ..... M86649-M86610  
 2001-1998 (Dana/Spicer 30 axle)  
 Cone/Cup (Inner) ..... HM88649-HM88610  
 Seal (Outer) ..... 5778  
 Cone/Cup (Outer) ..... M86649-M86610  
 1997-1990 (Dana/Spicer 30 axle)  
 Cone/Cup (Inner) ..... HM88649-HM88610  
 Seal (Outer) ..... 5778  
 Cone/Cup (Outer) ..... 02872-02820  
 1993-1990 (Dana/Spicer 44 axle)  
 Cone/Cup (Inner) ..... 31594-31520  
 Seal (Outer) ..... 5778  
 Cone/Cup (Outer) ..... 02872-02820

#### **Spindle Kit**

1998-1990  
 Bearing & Seal Kit ..... SBK1<sup>33</sup>

#### **Spindle**

1998-1990  
 Seal (Inner) ..... 722108  
 Needle Bearing (Inner) ..... B2110  
 Seal (Outer) ..... 722109

### **REAR AXLE**

#### **Differential Rebuild Kit**

2004-1998 (Dana/Spicer 44 axle)  
 Kit ..... DRK339A  
 2004-1992 (Dana/Spicer 35C axle)  
 Kit ..... DRK335C  
 1999-1991 (Chrysler axle)(8.25" R.G.)  
 Kit ..... DRK303  
 1998-1990 (Dana/Spicer 44 axle)  
 Kit ..... DRK339B  
 1991-1990 (Dana/Spicer 35C axle)  
 Kit ..... DRK335F

### **REAR AXLE**

#### **Differential**

2005 (Chrysler axle)(8.25" R.G.)  
 Set ..... SET36[2]  
 2004-1999 (Dana/Spicer 44 4 axle)  
 Set ..... SET36[2]  
 2004-1990 (Dana/Spicer 35C axle)  
 Cone/Cup ..... LM501349-LM501314[2]  
 1999-1991 (Chrysler axle)(8.25" R.G.)  
 Set ..... SET36[2]  
 1998-1990 (Dana/Spicer 44 axle)  
 Cone/Cup ..... 25590-25523[2]

#### **Pinion**

2005 (Chrysler axle)(8.25" R.G.)  
 Cone/Cup (Inner) ..... M802048-M802011  
 Cone/Cup (Outer) ..... M86649-M86610  
 2004-1999 (Dana/Spicer 44 4 axle)  
 Cone/Cup (Inner) ..... M802048-M802011  
 Seal Viton (Outer) ..... 719316  
 Cone/Cup (Outer) ..... M88048-M88010  
 2004-1992 (Dana/Spicer 35C axle)  
 Cone/Cup (Inner) ..... HM88648-HM88610  
 Seal Viton (Outer) ..... 714675  
 Cone/Cup (Outer) ..... M86649-M86610  
 2001-1991 (Chrysler axle)(8.25" R.G.)  
 Cone/Cup (Inner) ..... M802048-M802011  
 Seal (Outer) ..... 8516N  
 Cone/Cup (Outer) ..... M86649-M86610  
 1998-1990 (Dana/Spicer 44 axle)  
 Cone/Cup (Inner) ..... 31594-31520  
 Seal (Outer) ..... 5778  
 Cone/Cup (Outer) ..... 02872-02820  
 1991-1990 (Dana/Spicer 35C axle)  
 Cone/Cup (Inner) ..... HM88648-HM88610  
 Seal (Outer) ..... 470331N  
 Cone/Cup (Outer) ..... M86649-M86610

### **TRANSFER CASE REBUILD KIT**

2002-1994 (New Process 231)  
 Kit ..... TCRK231A<sup>16</sup>  
 1994-1990 (New Process 231)  
 Kit ..... TCRK231<sup>51</sup>  
 1994-1990 (New Process 242)(Exc. cases  
 52098383/4/5)  
 Kit ..... TCRK242  
 1991-1990 (New Process 228)  
 Kit ..... TCRK229  
 1991-1990 (New Process 229)  
 Kit ..... TCRK229

### **TRANSFER CASE**

#### **Input Shaft**

2002-1994 (New Process 242, 249)(2nd  
 design)  
 Seal ..... 3173[2]  
 Ball Bearing ..... 110L  
 Seal Dual Lip Opt ..... 710928  
 Kwik Slv (Opt Rpr) ..... KWK99193  
 Needle Bearing Pilot ..... FC66561

**TRANSFER CASE (cont.)**

**Input Shaft (cont.)**

<b>2001-1997</b> (New Process 231)	
Seal .....	3173[2]
Ball Bearing .....	110L
Seal Dual Lip Opt .....	710928
Kwik Slv (Opt Rpr) .....	KWK99193
Needle Bearing Pilot .....	FC66561
<b>1996-1990</b> (New Process 231)	
Seal .....	3173[2]
Ball Bearing .....	N5210KLB
Seal Dual Lip Opt .....	710928
Kwik Slv (Opt Rpr) .....	KWK99193
Needle Bearing Pilot .....	SCH1810
<b>1994-1990</b> (New Process 242, 249)(1st design)	
Seal .....	3173[2]
Ball Bearing .....	N5210KLB
Seal Dual Lip Opt .....	710928
Kwik Slv (Opt Rpr) .....	KWK99193
Needle Bearing Pilot .....	FC66561
<b>1991-1990</b> (New Process 228, 229)	
Seal .....	3173[2]
Needle Bearing .....	B5020[2]
Seal Dual Lip Opt .....	710928
Kwik Slv (Opt Rpr) .....	KWK99193
Needle Bearing Pilot .....	B2012
Needle Bearing Thrust .....	NTA3244

**Front Output Shaft**

<b>2002-1997</b> (New Process 242, 249)	
Seal .....	3946
Ball Bearing .....	207XLO
Kwik Slv (Opt Rpr) .....	KWK99187
Needle Bearing Pilot .....	J2416
<b>2001-1990</b> (New Process 231)	
Seal .....	710046
Ball Bearing .....	206WB
Kwik Slv (Opt Rpr) .....	KWK99155
Needle Bearing Pilot .....	J2416
<b>1996-1993</b> (New Process 243)	
Seal .....	3946
Ball Bearing .....	207XLO
Kwik Slv (Opt Rpr) .....	KWK99187
Needle Bearing Pilot .....	J2416
<b>1996-1990</b> (New Process 242)	
Seal .....	3946
Ball Bearing .....	207
Kwik Slv (Opt Rpr) .....	KWK99187
Needle Bearing Pilot .....	J2416
<b>1991-1990</b> (New Process 208, 219, 228, 229)	
Seal .....	3946
Needle Bearing .....	B2816
Kwik Slv (Opt Rpr) .....	KWK99187
Needle Bearing Pilot .....	J2416
Needle Bearing Thrust .....	NTA2840[2]

**TRANSFER CASE**

**Rear Output Shaft**

<b>2002-1997</b> (New Process 231)	
Seal .....	4370N
Ball Bearing .....	206WB
Kwik Slv (Opt Rpr) .....	KWK99149
Needle Bearing Pilot .....	B5020[2]
<b>2002-1993</b> (New Process 242, 249)	
Seal .....	4370N
Ball Bearing .....	206L
Kwik Slv (Opt Rpr) .....	KWK99149
Needle Bearing Pilot .....	C672Q
<b>1996-1990</b> (New Process 231)	
Seal .....	2506
Ball Bearing .....	206WB
Kwik Slv (Opt Rpr) .....	KWK99149
Needle Bearing Pilot .....	B5020[2]
<b>1991-1990</b> (New Process 228, 229)	
Seal .....	3946
Ball Bearing .....	207
Kwik Slv (Opt Rpr) .....	KWK99187
Needle Bearing Pilot .....	B3612
Needle Bearing Thrust .....	TC2435

**TRANSMISSION REBUILD KIT**

<b>2001-1990</b> (Aisin AX5)	
Kit .....	TRKFT160
<b>2001-1990</b> (Aisin AX15)	
Kit .....	TRKFT300

**3-SPEED AUTOMATIC TRANSMISSION**

**Torque Converter**

<b>1996-1994</b> (A904, A999, 30RH, 31RH, 32RH)	
Seal .....	331228H
Kwik Slv (Opt Rpr) .....	KWK99149
<b>1991-1990</b> (A727)	
Seal .....	331227H
Kwik Slv (Opt Rpr) .....	KWK99187

**Rear Seal/Ext. Housing**

<b>1996-1994</b> (30RH)	
Seal .....	710058
Ball Bearing .....	206LOE <sup>38</sup>
<b>1991-1990</b> (A727)	
Seal .....	7300S
Ball Bearing .....	207XLO
Seal Kit .....	5206 <sup>64</sup>

**Selector Shaft Seal/Man. Shaft**

<b>1996-1990</b> (A904, A999, 30RH, 31RH, 32RH)	
Seal .....	8609

<sup>38</sup>Use Old Snap Ring      <sup>64</sup>Opt. Seal & Bushing Kit

# Bearings and Seals

Mfg./Year	Model & Location	Part No	Mfg./Year	Model & Location	Part No
-----------	------------------	---------	-----------	------------------	---------

## **JEEP - SPORT UTILITY VEHICLES - Cherokee, Grand Cherokee (cont.)**

### **4-SPEED AUTOMATIC TRANSMISSION**

#### **Torque Converter**

<b>2000-1993</b>	(42RE, 44RE, A500SE)	
Seal	.....	331228H
Kwik Slv (Opt Rpr)	.....	KWK99149
<b>2000-1990</b>	(Aisin 03 40)	
Seal	.....	223830
Kwik Slv (Opt Rpr)	.....	KWK99147
<b>1995-1993</b>	(A518, 46RH)	
Seal	.....	331227H
Kwik Slv (Opt Rpr)	.....	KWK99187

#### **Rear Seal/Ext. Housing**

<b>2000-1993</b>	(42RE, 44RE)(4WD)(1.687" shaft)	
Seal	.....	7300S
Ball Bearing	.....	207XLO
Seal Kit	.....	5206 <sup>64</sup>
<b>2000-1993</b>	(42RE, 44RE)(4WD)(1.937" shaft)	
Seal	.....	710058
Ball Bearing	.....	207XLO
<b>2000-1990</b>	(Aisin 03 40)(4WD)	
Seal	.....	710319
<b>2000-1990</b>	(Aisin 03 40)(4WD)	
Seal	.....	225005
<b>1995-1993</b>	(46RH)	
Seal	.....	710058
Ball Bearing	.....	207XLO
<b>1993</b>	(A518, A500SE)(1.687" shaft)	
Seal	.....	7300S
Ball Bearing	.....	207XLO
<b>1993</b>	(A518, A500SE)(1.937" shaft)	
Seal	.....	710058
Ball Bearing	.....	207XLO

#### **Selector Shaft Seal/Man. Shaft**

<b>2000-1993</b>	(A518, 42RE, 44RE, 46RH, A500SE)	
Seal	.....	8609
<b>2000-1990</b>	(Aisin 03 40)	
Seal	.....	221207
Kwik Slv (Opt Rpr)	.....	KWK99049

### **CLUTCH**

#### **Pilot Bearing**

<b>2002-1992</b>	6 Cyl. 242 (4.0)	
Needle Bearing	.....	SCE1295
<b>2000-1990</b>	4 Cyl.	
Needle Bearing	.....	FC65446
<b>1991-1990</b>	6 Cyl. 242 (4.0)	
Needle Bearing	.....	FC66426

#### **Release Bearing**

<b>2002-1994</b>	6 Cyl. 242 (4.0)	
Bearing Assembly	.....	614093
<b>2000-1994</b>	4 Cyl. 150 (2.5)	
Bearing Assembly	.....	614093
<b>1993</b>	4 Cyl. 150 (2.5)(Hyd. piston type)	
Hyd. Bearing Assembly	.....	619004

### **CLUTCH (cont.)**

#### **Release Bearing (cont.)**

<b>1993</b>	6 Cyl. 242 (4.0)(Hyd. piston type)	
Hyd. Bearing Assembly	.....	619004
<b>1992-1991</b>	4 Cyl. 150 (2.5)(Hyd. piston type)	
Hyd. Bearing Assembly	.....	619001
<b>1992-1991</b>	6 Cyl. 242 (4.0)(Hyd. piston type)	
Hyd. Bearing Assembly	.....	619003
<b>1990</b>	6 Cyl. 242 (4.0)(Hyd. piston type)	
Hyd. Bearing Assembly	.....	619008
<b>1990</b>	4 Cyl. 150 (2.5)(Hyd. piston type)	
Hyd. Bearing Assembly	.....	619007

### **4-SPEED MANUAL TRANSMISSION**

#### **Input Shaft**

<b>1993-1990</b>	(Aisin AX4)	
Seal	.....	1981
Kwik Slv (Opt Rpr)	.....	KWK99114

#### **Rear Output Shaft**

<b>1993-1991</b>	(Aisin AX4)(4WD)	
Seal	.....	710319
Ball Bearing	.....	205BB
<b>1993-1990</b>	(Aisin AX4)(4WD)	
Seal	.....	1209N
Ball Bearing	.....	205BB

### **5-SPEED MANUAL TRANSMISSION**

#### **Front Input Shaft**

<b>2000-1990</b>	(Aisin AX15)	
Seal	.....	223253
Kwik Slv (Opt Rpr)	.....	KWK99128
<b>2000-1990</b>	(Aisin AX5)	
Seal	.....	1981
Kwik Slv (Opt Rpr)	.....	KWK99114
<b>1990</b>	(Peugeot BA10/5)	
Seal Viton	.....	710164
Kwik Slv (Opt Rpr)	.....	KWK99128

#### **Rear Countershaft**

<b>2000-1990</b>	(Aisin AX15)	
Cylindrical Bearing (Frt)	.....	MSNB5305GTBV
<b>2000-1990</b>	(Aisin AX5)	
Ball Bearing (Rr)	.....	204

#### **Rear Output Shaft**

<b>2000-1990</b>	(Aisin AX15)(4WD)	
Seal	.....	710319
<b>2000-1990</b>	(Aisin AX15)(4WD)	
Seal	.....	1209N
<b>2000-1990</b>	(Aisin AX5)(4WD)	
Seal	.....	710319
Ball Bearing	.....	205BB

Mfg./Year	Model & Location	Part No	Mfg./Year	Model & Location	Part No
<b>JEEP - SPORT UTILITY VEHICLES - Cherokee, Grand Cherokee (cont.)</b>					

**5-SPEED MANUAL TRANSMISSION (cont.)**

**Rear Output Shaft (cont.)**

2000-1990	(Aisin AX5)(4WD)	
	Seal .....	1209N
	Ball Bearing .....	205BB

**ALTERNATOR**

1993-1991	78 Amp.	
	Ball Bearing (Rear End) .....	203FF
1993-1990	(Delco Remy 42, 56, 63, 66, 78 Amp.)(Type II)	
	Ball Bearing (Drive End) .....	203S
1990	(Delco Remy 42, 56, 63, 66, 78 Amp.)(Type II)	
	Ball Bearing (Drive End) .....	203F
1990	(Delco Remy 37, 42, 55, 63, 78 Amp.)	
	Ball Bearing (Rear End) .....	MNJ471S

**CRANKSHAFT FRONT SEAL**

**4 Cylinder**

2000-1990	150/2.5L	
	Seal .....	321460
	Kwik Slv (Opt Rpr) .....	KWK99179

**6 Cylinder**

2002-1990	258/4.2L, 242/4.0L	
	Seal .....	321460
	Kwik Slv (Opt Rpr) .....	KWK99179

**CRANKSHAFT FRONT SEAL**

**8 Cylinder**

2001-1999	287/4.7L	
	Seal .....	3103
1998	360/5.9L	
	Seal Viton .....	713103
	Kwik Slv (Opt Rpr) .....	KWK99218
1998-1993	318/5.2L	
	Seal Viton .....	713103
	Kwik Slv (Opt Rpr) .....	KWK99218

**CRANKSHAFT REAR SEAL**

**4 Cylinder**

2000-1990	150/2.5L	
	Seal Viton .....	716445
	Kwik Slv (Opt Rpr) .....	KWK99294

**6 Cylinder**

2002-1990	258/4.2L, 242/4.0L	
	Seal .....	5111S

**8 Cylinder**

1998	360/5.9L	
	Seal Split .....	5106
1998-1993	318/5.2L	
	Seal .....	5414
1991-1990	304/5.0L, 360/5.9L, 401/6.6L	
	Seal .....	472341
	Kwik Slv (Opt Rpr) .....	KWK99200

**JEEP - LIGHT TRUCK - Sahara, TJ, Wrangler**

**FRONT WHEEL**

**4WD/AWD**

2006-2000	Wrangler, Sahara, TJ	
	Hub Assembly .....	HA597449[2]
1999-1990	Wrangler, TJ	
	Hub Assembly .....	513084[2]

**REAR WHEEL**

2006-1994	(Dana/Spicer 44)(Flg. Axle Shaft)	
	Seal (Inner) .....	9912S[2]
	Set (Inner) .....	SET10[2]
2005-1990	(Dana/Spicer 35 Axle)	
	Seal .....	8660S[2]
	Cylindrical Bearing .....	5707[2]

**4WD FRONT AXLE**

**Axle Shaft**

2002-1994	(Spicer 30 F)	
	Seal .....	710068[2]

**4WD FRONT AXLE (cont.)**

**Axle Shaft (cont.)**

1993-1990	(Spicer 30 F)(Disconnect)	
	Seal (LH) .....	710068
	Needle Bearing (LH) .....	BH208
	Seal (RH) .....	710202
1993-1990	(Spicer 30 F)(w/o Disconnect)	
	Seal .....	710068[2]

**Differential Rebuild Kit**

2004-1997	(Dana/Spicer 30 axle)	
	Kit .....	DRK334TJ[2]
1995-1990	(Dana/Spicer 30 axle)	
	Kit .....	DRK334

**Differential**

2004-1990	(Dana/Spicer 30 axle)	
	Cone/Cup .....	LM501349-LM501314[2]



# Bearings and Seals

Mfg./Year	Model & Location	Part No	Mfg./Year	Model & Location	Part No
-----------	------------------	---------	-----------	------------------	---------

## JEEP - LIGHT TRUCK - Sahara, TJ, Wrangler (cont.)

### 4WD FRONT AXLE

#### Pinion

<b>2004-1997</b> (Dana/Spicer 30 axle)	
Cone/Cup (Inner) .....	HM88649-HM88610
Cone/Cup (Outer) .....	M86649-M86610
Seal Viton Opt .....	5778V
Kwik Slv (Opt Rpr) .....	KWK99155
<b>1996-1990</b> (Dana/Spicer 30 axle)	
Cone/Cup (Inner) .....	HM88649-HM88610
Seal (Outer) .....	5778
Cone/Cup (Outer) .....	02872-02820
Seal Viton Opt .....	5778V
Kwik Slv (Opt Rpr) .....	KWK99155

#### Spindle Kit

<b>2002-1990</b> (Spicer 30 F)	
Bearing & Seal Kit .....	SBK1 <sup>33</sup>

#### Spindle

<b>2002-1990</b> (Dana/Spicer 30 axle)	
Seal (Inner) .....	722108
Needle Bearing (Inner) .....	B2110
Seal (Outer) .....	722109

### REAR AXLE

#### Differential Rebuild Kit

<b>2004-1992</b> (Dana/Spicer 35 axle)	
Kit .....	DRK335C
<b>2004-1990</b> (Dana/Spicer 44 1HD axle 44M)	
Kit .....	DRK339B
<b>1991-1990</b> (Dana/Spicer 35 axle)	
Kit .....	DRK335J <sup>16</sup>

#### Differential

<b>2004-1990</b> (Dana/Spicer 35C axle)	
Cone/Cup .....	LM501349-LM501314[2]
<b>2004-1990</b> (Dana/Spicer 44 1HD axle 44M)	
Cone/Cup .....	25590-25523[2]

#### Pinion

<b>2004-2003</b> (Dana/Spicer 44 1HD axle)	
Cone/Cup (Inner) .....	31593-31520
Seal Viton (Outer) .....	5778V
Cone/Cup (Outer) .....	02872-02820
Kwik Slv (Opt Rpr) .....	KWK99155
<b>2004-1992</b> (Dana/Spicer 35C axle)	
Cone/Cup (Inner) .....	HM88648-HM88610
Seal Viton (Outer) .....	714675
Cone/Cup (Outer) .....	M86649-M86610
<b>2002-1994</b> (Dana/Spicer 44 1HD axle)	
Cone/Cup (Inner) .....	31594-31520
Seal Viton (Outer) .....	5778V
Cone/Cup (Outer) .....	02872-02820
Kwik Slv (Opt Rpr) .....	KWK99155
<b>1991-1990</b> (Dana/Spicer 35C axle)	
Cone/Cup (Inner) .....	HM88648-HM88610
Seal (Outer) .....	470331N
Cone/Cup (Outer) .....	M86649-M86610

### TRANSFER CASE REBUILD KIT

<b>1995-1990</b> (New Process 231)	
Kit .....	TCRK231 <sup>51</sup>

### TRANSFER CASE

#### Input Shaft

<b>2002-1997</b> (New Process 231)	
Seal .....	3173
Ball Bearing .....	110L
Seal Dual Lip Opt .....	710928
Kwik Slv (Opt Rpr) .....	KWK99193
Ball Bearing Pilot .....	N5210KLB
<b>1995-1990</b> (New Process 231)	
Seal .....	3173
Ball Bearing .....	110L
Seal Dual Lip Opt .....	710928
Kwik Slv (Opt Rpr) .....	KWK99193
Ball Bearing Pilot .....	N5210KLB

#### Front Output Shaft

<b>2002-1990</b> (New Process 231)	
Seal .....	710046
Ball Bearing .....	206WB
Kwik Slv (Opt Rpr) .....	KWK99155
Needle Bearing Pilot .....	J2416

#### Rear Output Shaft

<b>2002-1997</b> (New Process 231)	
Seal .....	4370N
Ball Bearing .....	206WB
Kwik Slv (Opt Rpr) .....	KWK99149
Needle Bearing Pilot .....	B5020[2]

#### Oil Pump Housing

<b>2002-1990</b> (New Process 207, 229, 231)	
Seal .....	341022
Kwik Slv (Opt Rpr) .....	KWK99225

### TRANSMISSION REBUILD KIT

<b>2002-1990</b> (Aisin AX5)	
Kit .....	TRKFT160

### 3-SPEED AUTOMATIC TRANSMISSION

#### Torque Converter

<b>2002-1990</b> (A904, A999, 30RH, 31RH, 32RH)	
Seal .....	331228H
Kwik Slv (Opt Rpr) .....	KWK99149

#### Rear Seal/Ext. Housing

<b>2001-1994</b> (31RH, 32RH)	
Seal .....	710058
Ball Bearing .....	206LOE <sup>38</sup>
<b>1993-1990</b> (A904, A999, 30RH)	
Seal .....	2506
Ball Bearing .....	206LOE <sup>38</sup>

**3-SPEED AUTOMATIC TRANSMISSION**

**Selector Shaft Seal/Man. Shaft**

2002-1990	(A904, A999, 30RH, 31RH, 32RH)	
Seal		8609

**CLUTCH - 4 CYLINDER**

**Pilot Bearing**

2002-1990	150/2.5L	
Needle Bearing		FC65446

**CLUTCH - 6 CYLINDER**

**Pilot Bearing**

2004-2003		
Needle Bearing		FC69907
2002-1992	242/4.0L	
Needle Bearing		SCE1295
Needle Bearing		FC69907
1991-1990	242/4.0L, 258/4.2L	
Needle Bearing		FC66426

**CLUTCH - 4 CYLINDER**

**Release Bearing**

2002-1997	150/2.5L	
Bearing Assembly		614093
1995-1994	150/2.5L	
Bearing Assembly		614093
1993	150/2.5L	
Hyd. Bearing Assembly		619004
1992-1991	150/2.5L	
Hyd. Bearing Assembly		619001
1990	150/2.5L	
Hyd. Bearing Assembly		619007

**CLUTCH - 6 CYLINDER**

**Release Bearing**

2002-1997	242/4.0L	
Bearing Assembly		614093
1995-1994	242/4.0L	
Bearing Assembly		614093
1993	242/4.0L	
Hyd. Bearing Assembly		619004
1992-1991	242/4.0L	
Hyd. Bearing Assembly		619003
1990	242/4.0L, 258/4.2L	
Hyd. Bearing Assembly		619008

**5-SPEED MANUAL TRANSMISSION**

**Front Input Shaft**

2002-1990	(Aisin AX5)	
Seal		1981
Kwik Slv (Opt Rpr)		KWK99114
1997-1990	(Aisin AX15)	
Seal		223253
Kwik Slv (Opt Rpr)		KWK99128
1990	(Peugeot BA10/5)	
Seal Viton		710164
Kwik Slv (Opt Rpr)		KWK99128

**Rear Countershaft**

2002-1990	(Aisin AX5)	
Ball Bearing (Rr)		204
2001-1990	(Aisin AX15)	
Cylindrical Bearing (Frt)		MSNB5305GTBV

**Rear Output Shaft**

2002-1990	(Aisin AX5)(4WD)	
Seal		710319
Ball Bearing		205BB
2002-1990	(Aisin AX5)(4WD)	
Seal		1209N
Ball Bearing		205BB
2001-1990	(Aisin AX15)(4WD)	
Seal		710319
Ball Bearing		205BB
2001-1990	(Aisin AX15)(4WD)	
Seal		1209N
Ball Bearing		205BB

**ALTERNATOR**

1990	(Leece Neville 35, 40, 55 Amp.)	
Ball Bearing (Rear End)		MNJ471S
1990	(Delco Remy 42, 56, 63, 66, 78 Amp.)(Type II)	
Ball Bearing (Drive End)		203F

**CRANKSHAFT FRONT SEAL**

**4 Cylinder**

2002-1997	150/2.5L	
Seal		321460
Kwik Slv (Opt Rpr)		KWK99179
1995-1990	150/2.5L	
Seal		321460
Kwik Slv (Opt Rpr)		KWK99179

**6 Cylinder**

2002-1997	242/4.0L	
Seal		321460
Kwik Slv (Opt Rpr)		KWK99179
1995-1990	258/4.2L	
Seal		321460
Kwik Slv (Opt Rpr)		KWK99179

**CRANKSHAFT REAR SEAL**

**4 Cylinder**

2004-2003	148/2.4L	
Seal		416654
2002-1997	150/2.5L	
Seal Viton		716445
Kwik Slv (Opt Rpr)		KWK99294
1995-1990	150/2.5L	
Seal Viton		228410
Kwik Slv (Opt Rpr)		KWK99294

# Bearings and Seals

Mfg./Year	Model & Location	Part No	Mfg./Year	Model & Location	Part No
-----------	------------------	---------	-----------	------------------	---------

## JEEP - LIGHT TRUCK - Sahara, TJ, Wrangler (cont.)

### CRANKSHAFT REAR SEAL

#### 6 Cylinder

2003	148/2.4L	
Seal	.....	416654
Kwik Slv (Opt Rpr)	.....	KWK99360
2003	242/4.0L	
Seal	.....	416654
Kwik Slv (Opt Rpr)	.....	KWK99360
2002-1997	242/4.0L	
Seal	.....	5111S

### CRANKSHAFT REAR SEAL (cont.)

#### 6 Cylinder (cont.)

1995-1990	258/4.2L	
Seal	.....	5111S

## JEEP - FULL-SIZE WAGONEER - Grand Wagoneer, Wagoneer

### FRONT WHEEL

#### 4WD/AWD

1991-1990		
Seal (Inner)	.....	471271[2]
Cone/Cup (Inner)	.....	LM104949-JLM104910[2]
Set (Outer)	.....	SET45[2]

### REAR WHEEL

1991-1990	(Dana/Spicer 35 Axle)	
Seal	.....	46485[2]
Cylindrical Bearing	.....	5707[2]
1991-1990	(Dana/Spicer 44 Axle)	
Seal	.....	2689S[2]
Set	.....	SET10[2]
1991-1990	(Spicer 44)	
Seal (Inner)	.....	481837[2]
Set (Inner)	.....	SET10[2]
Seal (Outer)	.....	9912S[2]

### 4WD FRONT AXLE

#### Differential Rebuild Kit

1991-1990	(Dana/Spicer 30 axle)	
Kit	.....	DRK334
1991-1990	(Dana/Spicer 44 axle)	
Kit	.....	DRK339B

#### Differential

1991-1990	(Dana/Spicer 30 axle)	
Cone/Cup	.....	LM501349-LM501314[2]
1991-1990	(Dana/Spicer 44 axle)	
Cone/Cup	.....	25590-25523[2]

#### Pinion

1991-1990	(Dana/Spicer 30 axle)	
Cone/Cup (Inner)	.....	HM88649-HM88610
Seal (Outer)	.....	5778
Cone/Cup (Outer)	.....	02872-02820
1991-1990	(Dana/Spicer 44 axle)	
Cone/Cup (Inner)	.....	31594-31520
Seal (Outer)	.....	5778
Cone/Cup (Outer)	.....	02872-02820

### 4WD FRONT AXLE

#### Spindle Kit

1991-1990		
Bearing & Seal Kit	.....	SBK1 <sup>33</sup>

#### Spindle

1991-1990		
Seal (Inner)	.....	722108
Needle Bearing (Inner)	.....	B2110
Seal (Outer)	.....	722109

### REAR AXLE

#### Differential

1991-1990	(Dana/Spicer 44 axle)	
Cone/Cup	.....	25590-25523[2]

#### Pinion

1991-1990	(Dana/Spicer 44 axle)	
Cone/Cup (Inner)	.....	31594-31520
Cone/Cup (Outer)	.....	02872-02820

### TRANSFER CASE

#### Input Shaft

1994-1990	(New Process 242, 249)(1st design)	
Seal	.....	3173[2]
Ball Bearing	.....	N5210KLB
Seal Dual Lip Opt	.....	710928
Kwik Slv (Opt Rpr)	.....	KWK99193
Needle Bearing Pilot	.....	FC66561
1991-1990	(New Process 231)	
Seal	.....	3173[2]
Ball Bearing	.....	N5210KLB
Seal Dual Lip Opt	.....	710928
Kwik Slv (Opt Rpr)	.....	KWK99193
Needle Bearing Pilot	.....	SCH1810
1991-1990	(New Process 228, 229)	
Seal	.....	3173[2]
Needle Bearing	.....	B5020[2]
Seal Dual Lip Opt	.....	710928
Kwik Slv (Opt Rpr)	.....	KWK99193
Needle Bearing Pilot	.....	B2012
Needle Bearing Thrust	.....	NTA3244

**TRANSFER CASE**

**Front Output Shaft**

<b>1991-1990</b> (New Process 242)	
Seal .....	3946
Ball Bearing .....	207
Kwik Slv (Opt Rpr) .....	KWK99187
Needle Bearing Pilot .....	J2416
<b>1991-1990</b> (New Process 208, 219, 228, 229)	
Seal .....	3946
Needle Bearing .....	B2816
Kwik Slv (Opt Rpr) .....	KWK99187
Needle Bearing Pilot .....	J2416
Needle Bearing Thrust .....	NTA2840[2]

**Rear Output Shaft**

<b>1991-1990</b> (New Process 231)	
Seal .....	2506
Ball Bearing .....	206WB
Kwik Slv (Opt Rpr) .....	KWK99149
Needle Bearing Pilot .....	B5020[2]
<b>1991-1990</b> (New Process 228, 229)	
Seal .....	3946
Ball Bearing .....	207
Kwik Slv (Opt Rpr) .....	KWK99187
Needle Bearing Pilot .....	B3612
Needle Bearing Thrust .....	TC2435

**3-SPEED AUTOMATIC TRANSMISSION**

**Torque Converter**

<b>1991-1990</b> (A727)	
Seal .....	331227H
Kwik Slv (Opt Rpr) .....	KWK99187

**Rear Seal/Ext. Housing**

<b>1991-1990</b> (A727)	
Seal .....	7300S
Ball Bearing .....	207XLO
Seal Kit .....	5206 <sup>64</sup>

**Selector Shaft Seal/Man. Shaft**

<b>1991-1990</b> (A904, A999, 30RH, 31RH, 32RH)	
Seal .....	8609

**4-SPEED AUTOMATIC TRANSMISSION**

**Torque Converter**

<b>1993</b> (A518, 46RH)	
Seal .....	331227H
Kwik Slv (Opt Rpr) .....	KWK99187
<b>1991-1990</b> (Aisin 03 40)	
Seal .....	223830
Kwik Slv (Opt Rpr) .....	KWK99147

**4-SPEED AUTOMATIC TRANSMISSION**

**Rear Seal/Ext. Housing**

<b>1991-1990</b> (Aisin 03 40)(4WD)	
Seal .....	710319
<b>1991-1990</b> (Aisin 03 40)(4WD)	
Seal .....	225005

**Selector Shaft Seal/Man. Shaft**

<b>1991-1990</b> (Aisin 03 40)	
Seal .....	221207
Kwik Slv (Opt Rpr) .....	KWK99049

**4-SPEED MANUAL TRANSMISSION**

**Input Shaft**

<b>1991-1990</b> (Aisin AX4)	
Seal .....	1981
Kwik Slv (Opt Rpr) .....	KWK99114

**Rear Output Shaft**

<b>1991</b> (Aisin AX4)(4WD)	
Seal .....	710319
Ball Bearing .....	205BB
<b>1991-1990</b> (Aisin AX4)(4WD)	
Seal .....	1209N
Ball Bearing .....	205BB

**5-SPEED MANUAL TRANSMISSION**

**Front Input Shaft**

<b>1991-1990</b> (Aisin AX15)	
Seal .....	223253
Kwik Slv (Opt Rpr) .....	KWK99128
<b>1991-1990</b> (Aisin AX5)	
Seal .....	1981
Kwik Slv (Opt Rpr) .....	KWK99114
<b>1990</b> (Peugeot BA10/5)	
Seal Viton .....	710164
Kwik Slv (Opt Rpr) .....	KWK99128

**Rear Countershaft**

<b>1991-1990</b> (Aisin AX15)	
Cylindrical Bearing (Frt) .....	MSNB5305GTBV
<b>1991-1990</b> (Aisin AX5)	
Ball Bearing (Rr) .....	204

**Rear Output Shaft**

<b>1991-1990</b> (Aisin AX15)(4WD)	
Seal .....	710319
<b>1991-1990</b> (Aisin AX15)(4WD)	
Seal .....	1209N
<b>1991-1990</b> (Aisin AX5)(4WD)	
Seal .....	710319
Ball Bearing .....	205BB
<b>1991-1990</b> (Aisin AX5)(4WD)	
Seal .....	1209N
Ball Bearing .....	205BB

<sup>64</sup>Opt. Seal & Bushing Kit

# Bearings and Seals

Mfg./Year	Model & Location	Part No	Mfg./Year	Model & Location	Part No
-----------	------------------	---------	-----------	------------------	---------

## JEEP - FULL-SIZE WAGONEER - Grand Wagoneer, Wagoneer (cont.)

### ALTERNATOR

1993-1991	78 Amp.	
	Ball Bearing (Rear End)	203FF
1991-1990	(Delco Remy 37, 42, 55, 63, 78 Amp.)(Type I)	
	Ball Bearing (Drive End)	203S
1990	(Delco Remy 42, 56, 63, 66, 78 Amp.)(Type II)	
	Ball Bearing (Drive End)	203F
1990	(Delco Remy 37, 42, 55, 63, 78 Amp.)	
	Ball Bearing (Rear End)	MNJ471S

### CRANKSHAFT FRONT SEAL

#### 4 Cylinder

1991-1990	150/2.5L	
	Seal	321460
	Kwik Slv (Opt Rpr)	KWK99179
	Harmonic Balancer Slv	
	Opt	88179

#### 6 Cylinder

1991-1990	232/3.8L, 242/4.0L, 258/4.2L	
	Seal	321460
	Kwik Slv (Opt Rpr)	KWK99179

### CRANKSHAFT FRONT SEAL

#### 8 Cylinder

1991-1990	304/5.0L, 360/5.9L, 401/6.6L	
	Seal	472341
	Kwik Slv (Opt Rpr)	KWK99200

### CRANKSHAFT REAR SEAL

#### 4 Cylinder

1991-1990	150/2.5L	
	Seal Viton	716445
	Kwik Slv (Opt Rpr)	KWK99294

#### 6 Cylinder

1991-1990	232/3.8L, 242/4.0L, 258/4.2L	
	Seal	5115

#### 8 Cylinder

1991-1990	304/5.0L, 360/5.9L, 401/6.6L	
	Seal Split	5112S

## JEEP - TRUCK - Comanche

### FRONT WHEEL

#### 2WD

1992-1990	Comanche	
	Hub Assembly	513084[2]

#### 4WD/AWD

1992-1990	Comanche, Pickup (Dana/Spicer 30 Axle)	
	Hub Assembly	513084[2]
1992-1990	(Dana/Spicer 44 1F Axle)	
	Seal (Inner)	471271[2]
	Cone/Cup (Inner)	LM104949-JLM104910[2]
	Set (Outer)	SET45[2]

### REAR WHEEL

1992-1990	(Dana/Spicer 35 Axle)	
	Seal	46485[2]
	Cylindrical Bearing	5707[2]
1992-1990	(Dana/Spicer 60 Axle)(Tapered Axle Shaft)	
	Seal (Inner)	455860[2]
	Cone/Cup (Inner)	28578-28522[2]
	Cone/Cup (Outer)	18690-18620[2]
1992-1990	(Dana/Spicer 44)(Flg. Axle Shaft)	
	Seal	2689S[2]
	Set	SET10[2]

### 4WD FRONT AXLE

#### Axle Shaft

1992-1990	(Spicer 30 F)(Disconnect)	
	Seal (LH)	710068
	Needle Bearing (LH)	BH208
	Seal (RH)	710204
1992-1990	(Spicer 30 F)(w/o Disconnect)	
	Seal	710068[2]
1992-1990	(Spicer 44 1F)(2.250" O.D.)	
	Seal	5131[2]

#### Differential Rebuild Kit

1992-1990	(Dana/Spicer 30 axle)	
	Kit	DRK334
1992-1990	(Dana/Spicer 44 axle)	
	Kit	DRK339B

#### Differential

1992-1990	(Dana/Spicer 30 axle)	
	Cone/Cup	LM501349-LM501314[2]
1992-1990	(Dana/Spicer 44 axle)	
	Cone/Cup	25590-25523[2]

**4WD FRONT AXLE**

**Pinion**

<b>1995-1990</b>	(Dana/Spicer 30 axle)
Cone/Cup (Inner)	HM88649-HM88610
Seal (Outer)	5778
Cone/Cup (Outer)	02872-02820
<b>1993-1990</b>	(Dana/Spicer 44 axle)
Cone/Cup (Inner)	31594-31520
Seal (Outer)	5778
Cone/Cup (Outer)	02872-02820

**Spindle Kit**

<b>1992-1990</b>	Bearing & Seal Kit	SBK1 <sup>33</sup>
------------------	--------------------	--------------------

**Spindle**

<b>1992-1990</b>	Seal (Inner)	722108
Needle Bearing (Inner)	B2110	
Seal (Outer)	722109	

**REAR AXLE**

**Differential Rebuild Kit**

<b>1992-1991</b>	(Chrysler axle)(8.25" R.G.)	Kit	DRK303
<b>1992-1990</b>	(Dana/Spicer 44 axle)	Kit	DRK339B
<b>1991-1990</b>	(Dana/Spicer 35 axle)	Kit	DRK335J <sup>16</sup>

**Differential**

<b>1992-1991</b>	(Chrysler axle)(8.25" R.G.)	Set	SET36[2]
<b>1992-1990</b>	(Dana/Spicer 35 axle)	Cone/Cup	LM501349-LM501314[2]
<b>1992-1990</b>	(Dana/Spicer 44 axle)	Cone/Cup	25590-25523[2]
<b>1992-1990</b>	(Dana/Spicer 44 1HD axle)	Cone/Cup	25590-25523[2]

**Pinion**

<b>1992</b>	(Dana/Spicer 35 axle)
Cone/Cup (Inner)	HM88648-HM88610
Seal Viton (Outer)	714675
Cone/Cup (Outer)	M86649-M86610
<b>1992-1991</b>	(Chrysler axle)(8.25" R.G.)
Cone/Cup (Inner)	M802048-M802011
Seal (Outer)	8516N
Cone/Cup (Outer)	M86649-M86610
<b>1992-1990</b>	(Dana/Spicer 44 axle)
Cone/Cup (Inner)	31594-31520
Seal (Outer)	5778
Cone/Cup (Outer)	02872-02820
<b>1991-1990</b>	(Dana/Spicer 35 axle)
Cone/Cup (Inner)	HM88648-HM88610
Seal (Outer)	470331N
Cone/Cup (Outer)	M86649-M86610

**TRANSFER CASE REBUILD KIT**

<b>1992-1990</b>	(New Process 231)	Kit	TCRK231 <sup>51</sup>
<b>1992-1990</b>	(New Process 242)(Exc. cases 52098383/4/5)	Kit	TCRK242
<b>1991-1990</b>	(New Process 228)	Kit	TCRK229
<b>1991-1990</b>	(New Process 229)	Kit	TCRK229

**TRANSFER CASE**

**Input Shaft**

<b>1992-1990</b>	(New Process 231)
Seal	3173[2]
Ball Bearing	N5210KLB
Seal Dual Lip Opt	710928
Kwik Slv (Opt Rpr)	KWK99193
Needle Bearing Pilot	SCH1810
<b>1992-1990</b>	(New Process 242, 249)(1st design)
Seal	3173[2]
Ball Bearing	N5210KLB
Seal Dual Lip Opt	710928
Kwik Slv (Opt Rpr)	KWK99193
Needle Bearing Pilot	FC66561
<b>1991-1990</b>	(New Process 228, 229)
Seal	3173[2]
Needle Bearing	B5020[2]
Seal Dual Lip Opt	710928
Kwik Slv (Opt Rpr)	KWK99193
Needle Bearing Pilot	B2012
Needle Bearing Thrust	NTA3244

**Front Output Shaft**

<b>1992-1990</b>	(New Process 231)
Seal	710046
Ball Bearing	206WB
Kwik Slv (Opt Rpr)	KWK99155
Needle Bearing Pilot	J2416
<b>1992-1990</b>	(New Process 242)
Seal	3946
Ball Bearing	207
Kwik Slv (Opt Rpr)	KWK99187
Needle Bearing Pilot	J2416
<b>1991-1990</b>	(New Process 208, 219, 228, 229)
Seal	3946
Needle Bearing	B2816
Kwik Slv (Opt Rpr)	KWK99187
Needle Bearing Pilot	J2416
Needle Bearing Thrust	NTA2840[2]

**Rear Output Shaft**

<b>1992-1990</b>	(New Process 231)
Seal	2506
Ball Bearing	206WB
Kwik Slv (Opt Rpr)	KWK99149
Needle Bearing Pilot	B5020[2]

<sup>16</sup>Part Obsolete, Check For Availability, While Supplies Last  
722109 <sup>51</sup>BD50-8 I/S Brg.

<sup>33</sup>Opt. Kit Incls Brg B2110, Seals 722108 &

# Bearings and Seals

Mfg./Year	Model & Location	Part No	Mfg./Year	Model & Location	Part No
-----------	------------------	---------	-----------	------------------	---------

## JEEP - TRUCK - Comanche (cont.)

### TRANSFER CASE (cont.)

#### Rear Output Shaft (cont.)

1991-1990 (New Process 228, 229)	
Seal .....	3946
Ball Bearing .....	207
Kwik Slv (Opt Rpr) .....	KWK99187
Needle Bearing Pilot .....	B3612
Needle Bearing Thrust .....	TC2435

### 3-SPEED AUTOMATIC TRANSMISSION

#### Torque Converter

1992-1990 (A727)	
Seal .....	331227H
Kwik Slv (Opt Rpr) .....	KWK99187

#### Rear Seal/Ext. Housing

1992-1990 (A727)	
Seal .....	7300S
Ball Bearing .....	207XLO
Seal Kit .....	5206 <sup>64</sup>

#### Selector Shaft Seal/Man. Shaft

1992-1990 (A904, A999, 30RH, 31RH, 32RH)	
Seal .....	8609

### 4-SPEED AUTOMATIC TRANSMISSION

#### Torque Converter

1992-1990 (Aisin 03 40)	
Seal .....	223830
Kwik Slv (Opt Rpr) .....	KWK99147

#### Rear Seal/Ext. Housing

1992-1990 (Aisin 03 40)(4WD)	
Seal .....	710319
1992-1990 (Aisin 03 40)(4WD)	
Seal .....	225005

#### Selector Shaft Seal/Man. Shaft

1992-1990 (Aisin 03 40)	
Seal .....	221207
Kwik Slv (Opt Rpr) .....	KWK99049

### CLUTCH

#### Pilot Bearing

1992-1990 4 Cyl. 150 (2.5)(AMC )	
Needle Bearing .....	FC65446
1991-1990 6 Cyl. 242 (4.0)	
Needle Bearing .....	FC66426
1991-1990 6 Cyl. 258 (4.2)	
Needle Bearing .....	FC66426

### CLUTCH

#### Release Bearing

1992-1991 4 Cyl. 150 (2.5)(Hyd. piston type)	
Hyd. Bearing Assembly .....	619001
1992-1991 6 Cyl. 242 (4.0)(Hyd. piston type)	
Hyd. Bearing Assembly .....	619003
1990 6 Cyl. 242 (4.0)(Hyd. piston type)	
Hyd. Bearing Assembly .....	619008
1990 4 Cyl. 150 (2.5)(Hyd. piston type)	
Hyd. Bearing Assembly .....	619007

### 4-SPEED MANUAL TRANSMISSION

#### Input Shaft

1992-1990 (Aisin AX4)	
Seal .....	1981
Kwik Slv (Opt Rpr) .....	KWK99114

#### Rear Output Shaft

1992-1991 (Aisin AX4)(4WD)	
Seal .....	710319
Ball Bearing .....	205BB
1992-1990 (Aisin AX4)(4WD)	
Seal .....	1209N
Ball Bearing .....	205BB

### 5-SPEED MANUAL TRANSMISSION

#### Front Input Shaft

1992-1990 (Aisin AX15)	
Seal .....	223253
Kwik Slv (Opt Rpr) .....	KWK99128
1992-1990 (Aisin AX5)	
Seal .....	1981
Kwik Slv (Opt Rpr) .....	KWK99114
1990 (Peugeot BA10/5)	
Seal Viton .....	710164
Kwik Slv (Opt Rpr) .....	KWK99128

#### Rear Countershaft

1992-1990 (Aisin AX15)	
Cylindrical Bearing (Frt) .....	MSNB5305GTBV
1992-1990 (Aisin AX5)	
Ball Bearing (Rr) .....	204

#### Rear Output Shaft

1992-1990 (Aisin AX15)(4WD)	
Seal .....	710319
1992-1990 (Aisin AX15)(4WD)	
Seal .....	1209N
1992-1990 (Aisin AX5)(4WD)	
Seal .....	710319
Ball Bearing .....	205BB
1992-1990 (Aisin AX5)(4WD)	
Seal .....	1209N
Ball Bearing .....	205BB

Mfg./Year	Model & Location	Part No	Mfg./Year	Model & Location	Part No
-----------	------------------	---------	-----------	------------------	---------

**JEEP - TRUCK - Comanche (cont.)**

**CRANKSHAFT FRONT SEAL**

**4 Cylinder**

1992-1990	150/2.5L	
Seal	.....	321460
Kwik Slv (Opt Rpr)	.....	KWK99179

**6 Cylinder**

1992-1990	258/4.2L, 242/4.0L	
Seal	.....	321460
Kwik Slv (Opt Rpr)	.....	KWK99179

**8 Cylinder**

1992-1990	304/5.0L, 360/5.9L, 401/6.6L	
Seal	.....	472341
Kwik Slv (Opt Rpr)	.....	KWK99200

**CRANKSHAFT REAR SEAL**

**4 Cylinder**

1992-1990	150/2.5L	
Seal Viton	.....	716445
Kwik Slv (Opt Rpr)	.....	KWK99294

**CRANKSHAFT REAR SEAL**

**6 Cylinder**

1992-1990	232/3.8L, 242/4.0L, 258/4.2L	
Seal	.....	5115

**8 Cylinder**

1992-1990	304/5.0L, 360/5.9L, 401/6.6L	
Seal Split	.....	5112S

**KIA - Amanti, Optima, Rio, Sedona, Sephia, Sorento, Spectra, Sportage**

**FRONT WHEEL**

2005-2004	Amanti	
Ball Bearing	.....	510084[2] <sup>25</sup>
2005-2003	Optima (From 1/02)	
Ball Bearing	.....	510034[2]
2005-2002	Sedona	
Seal	.....	1932S[2]
Set	.....	SET49[2]
2005-2001	Rio	
Seal (Inner)	.....	4990[2]
Set (Inner)	.....	SET11[2]
Seal (Outer)	.....	710323[2]
Set (Outer)	.....	SET11[2]
2005-2001	Spectra Hatchback	
Ball Bearing	.....	510003[2]
2005-2001	Spectra Sedan	
Ball Bearing	.....	510010[2]
2004-2003	Sorento (4x2)(From Feb 2002)	
Set	.....	SET816[2] <sup>25</sup>
2004-2003	Sorento (4x4)(From Feb 2002)	
Set	.....	SET816[2] <sup>25</sup>
2002-2001	Optima (To 1/02)	
Bearing Assembly	.....	510076[2]
2002-1995	Sportage (2WD)	
Seal (Inner)	.....	710094[2]
Set (Inner)	.....	SET47[2]
Seal (Outer)	.....	710093[2]
Set (Outer)	.....	SET11[2]
2002-1995	Sportage (4WD)	
Seal (Inner)	.....	710094[2]
Set (Inner)	.....	SET47[2]
Seal (Outer)	.....	710093[2]
Set (Outer)	.....	SET11[2]

**FRONT WHEEL (cont.)**

2001-1994	Sephia	
Seal	.....	1932S[2]
Ball Bearing	.....	510003[2]
2000	Spectra (From 7/00)	
Ball Bearing	.....	510010[2]
2000	Spectra (To 7/00)	
Ball Bearing	.....	510003[2]

**REAR WHEEL**

2005-2004	Amanti (ABS)	
Hub Assembly	.....	HA590010[2] <sup>25</sup>
2005-2001	Optima (ABS)	
Hub Assembly	.....	512190[2]
2005-2001	Optima (w/o ABS)	
Hub Assembly	.....	512191[2]
2005-2001	Rio	
Seal (Inner)	.....	1126S[2]
Set (Inner)	.....	SET2[2]
Set (Outer)	.....	SET4[2]
2005-2000	Spectra (Drum)	
Hub Assembly	.....	512200[2]
2004-2003	Sedona (ABS) (From 12/2/03)	
Hub Assembly	.....	HA590013[2] <sup>25</sup>
2004-2002	Sedona (w/o ABS)	
Hub Assembly	.....	HA590011[2] <sup>25</sup>
2003-2002	Sedona (ABS) (To 12/1/03)	
Hub Assembly	.....	HA590012[2] <sup>25</sup>
2002-1998	Sportage	
Seal (Inner)	.....	473823[2]
Set (Inner)	.....	SET2[2]
Set (Outer)	.....	SET9[2]
2001-1994	Sephia	
Hub Assembly Drum Br	.....	512200[2]

<sup>25</sup>New Item, Check For Availability



# Bearings and Seals

Mfg./Year	Model & Location	Part No	Mfg./Year	Model & Location	Part No
<b>KIA - Amanti, Optima, Rio, Sedona, Sephia, Sorento, Spectra, Sportage (cont.)</b>					

## REAR WHEEL (cont.)

1997-1995 Sportage	
Seal (Inner) .....	223240[2]
Seal (Outer) .....	710387[2]

## 4WD FRONT AXLE

### Differential

2002-1995 Sportage	
Bearing Assembly .....	32008XM

### Pinion

2002-1995 Sportage	
Bearing Assembly (Inne .....	32207M
Bearing Assembly	
(Outer) .....	32206M

## REAR AXLE

### Differential

2002-1995 Sportage	
Bearing Assembly .....	32008XM[2]

### Pinion

2002-1995 Sportage	
Bearing Assembly (Inne .....	32207M
Seal (Outer) .....	1216N
Bearing Assembly	
(Outer) .....	32206M

## TRANSFER CASE REBUILD KIT

2002-1995 Sportage	
Kit .....	TRKFK100

## TRANSMISSION REBUILD KIT

2002-1995 Sportage (4WD)(5 Spd.)	
Kit .....	TRKFK110
2001-1995 Sephia (5 Spd.)(1.8L )	
Kit .....	TRKFMZ150
1997-1994 Sephia (5 Spd.)(1.6L )	
Kit .....	TRKFMZ130

## 4-SPEED AUTOMATIC TRANSMISSION

### Torque Converter

2002-1995 (Aisin O3 72)	
Seal .....	223830
Kwik Slv (Opt Rpr) .....	KWK99147

### Rear Seal/Ext. Housing

2002-1995 (Aisin O3 72)	
Seal .....	710319

## CLUTCH

### Pilot Bearing

2002-1994	
Ball Bearing .....	202SS

## CLUTCH

### Release Bearing

2002-1995 Sportage	
Bearing Assembly .....	614067
1999-1994 Sephia	
Bearing Assembly .....	614128

## 5-SPEED MANUAL TRANSMISSION

### Front Input Shaft

2002-1995 (Getrag R15MXD)	
Seal .....	1970
Kwik Slv (Opt Rpr) .....	KWK99147

### Rear Output Shaft

2002-1995 (Getrag R15MXD)	
Seal .....	710435

## 4-SPEED AUTOMATIC TRANSAXLE

### Differential

2002-1994 (Jatco F4A EL)	
Set .....	SET17[2]

### Torque Converter

2002-1994 (Jatco F4A EL)	
Seal .....	710446

### Output Shaft

2002-1994 (Jatco F4A EL)	
Seal (LH) .....	223543
Kwik Slv (Opt Rpr) (LH) .....	KWK99139
Seal (RH) .....	2007N
Kwik Slv (Opt Rpr) (RH) .....	KWK99139

## 5-SPEED MANUAL TRANSAXLE

### Differential

1997-1995 (Mazda G5M)	
Cone/Cup .....	XAA32008X-Y32008X[2]
1997-1994 (Mazda F52)	
Set .....	SET17[2]

### Input Shaft

1997-1995 (Mazda G5M)	
Bearing Assembly (Inne .....	513185
Seal (Outer) .....	1990
Set (Outer) .....	SET32
Kwik Slv (Opt Rpr) .....	KWK99106
1997-1994 (Mazda F52)	
Seal .....	1990
Kwik Slv (Opt Rpr) .....	KWK99106

**KIA - Amanti, Optima, Rio, Sedona, Sephia, Sorento, Spectra, Sportage (cont.)**

**5-SPEED MANUAL TRANSAXLE**

**Output Shaft**

<b>1997-1995</b>	(Mazda G5M)	
Seal (LH)	.....	223543
Kwik Slv (Opt Rpr) (LH)	.....	KWK99139
Seal (RH)	.....	2007N
Kwik Slv (Opt Rpr) (RH)	.....	KWK99139
<b>1997-1994</b>	(Mazda F52)	
Seal (LH)	.....	223543
Bearing Assembly (LH)	.....	32205
Kwik Slv (Opt Rpr) (LH)	.....	KWK99139
Seal (RH)	.....	2007N
Kwik Slv (Opt Rpr) (RH)	.....	KWK99139

**Extension Housing**

<b>1997-1995</b>	(Mazda G5M)	
Seal	.....	221620

**CAMSHAFT SEAL**

**4 Cylinder**

<b>2002-1996</b>	1998cc/2.0L (DOHC)	
Seal	.....	223420[2]
<b>1997-1995</b>	1597cc/1.6L (DOHC), 1839cc/1.8L (DOHC)	
Seal	.....	223420[2]
<b>1995</b>	1998cc/2.0L	
Seal	.....	223420
<b>1995-1994</b>	1597cc/1.6L	
Seal	.....	223012
Kwik Slv (Opt Rpr)	.....	KWK99114

**CRANKSHAFT FRONT SEAL**

**4 Cylinder**

<b>2002-1995</b>	1998/2.0L, 1998cc/2.0L (DOHC)	
Seal	.....	223420
<b>1997-1994</b>	1597cc/1.6L, 1597cc/1.6L (DOHC), 1839cc/1.8L (DOHC)	
Seal	.....	710355
Kwik Slv (Opt Rpr)	.....	KWK99145

**CRANKSHAFT REAR SEAL**

**4 Cylinder**

<b>2003-2001</b>	1493cc/1.5L (DOHC), 1594cc/1.6L (DOHC)	
Seal	.....	228250
Kwik Slv (Opt Rpr)	.....	KWK99328
<b>2002-1995</b>	1998/2.0L, 1998cc/2.0L (DOHC)	
Seal	.....	229010
Kwik Slv (Opt Rpr)	.....	KWK99354
<b>1997-1994</b>	1597cc/1.6L, 1597cc/1.6L (DOHC), 1839cc/1.8L (DOHC)	
Seal	.....	228250
Kwik Slv (Opt Rpr)	.....	KWK99328

**LADA**

**FRONT WHEEL**

<b>1993-1990</b>	Samura, Signet	
Set	.....	SET35[2]
<b>1993-1990</b>	Niva Truck	
Bearing Assembly (Inne	.....	32008XM[2]
Bearing Assembly	.....	32008XM[2]
(Outer)	.....	32008XM[2]
<b>1991-1990</b>	1500S	
Seal (Inner)	.....	472213[2]
Cone/Cup (Inner)	.....	15579X-15520[2]
Set (Outer)	.....	SET2[2]

**REAR WHEEL**

<b>1993-1990</b>		
Ball Bearing	.....	513116[2]

**CLUTCH**

**Release Bearing**

<b>1990</b>		
Bearing Only	.....	FI1709C

**ALTERNATOR**

<b>1992-1990</b>		
Ball Bearing (Drive End)	.....	302CC
Ball Bearing (Rear End)	.....	201CC

# Bearings and Seals

Mfg./Year	Model & Location	Part No	Mfg./Year	Model & Location	Part No
-----------	------------------	---------	-----------	------------------	---------

## LAFORZA - Other Applications

### FRONT WHEEL

<b>1992-1990</b>	
Seal (Inner)	4250[2]
Set (Inner)	SET37[2]
Set (Outer)	SET45[2]

### REAR WHEEL

<b>1992-1990</b>	
Seal	8835S[2]
Cylindrical Bearing	6408[2]
Kit Axle Repair Brg.	TRP1559TV[2] <sup>19</sup>

## LAMBORGHINI

### REAR AXLE

#### Differential

<b>1993-1990</b>	Countach
Cone/Cup	JM207049-JM207010[2]

### REAR AXLE

#### Pinion

<b>1993-1990</b>	Countach
Cone/Cup (Inner)	M802048-M802011
Cone/Cup (Outer)	HM88649-HM88610

## LEXUS - FRONT DRIVE - ES250, ES300, ES330

### FRONT WHEEL

<b>2006-2004</b>	ES330
Ball Bearing	510063[2]
<b>2003-1992</b>	
Ball Bearing	510006[2]
<b>1991-1990</b>	
Seal (Inner)	4899[2]
Ball Bearing (Inner)	514002B[2]
Seal (Outer)	225220[2]
Seal	5700[2]

### REAR WHEEL

<b>2006-2004</b>	ES330
Hub Assembly (LH)	HA592460
Hub Assembly (RH)	HA592450
<b>2003-2002</b>	ES300
Hub Assembly (LH)	HA592460
Hub Assembly (RH)	HA592450
<b>2001-1992</b>	
Bearing Module	512009[2]
<b>1991-1990</b>	
Seal	224210[2]
Ball Bearing	513022[2]

### CLUTCH - 6 CYLINDER

#### Release Bearing

<b>1993-1990</b>	2507cc./2.5L (DOHC), 2958cc./3.0L (DOHC)(236mm Cl.)
Bearing Assembly Cl.	
Release	614084

### 4-SPEED AUTOMATIC TRANSAXLE

#### Torque Converter

<b>1998-1990</b>	(A540E, A541E)
Seal	223830
Kwik Slv (Opt Rpr)	KWK99147

### 4-SPEED AUTOMATIC TRANSAXLE

#### Output Shaft

<b>1998-1990</b>	(A540E, A541E)
Seal (LH)	712551
Seal (RH)	710112

#### Selector Shaft Seal/Man. Shaft

<b>2001-1990</b>	(U140E, A540E, A541E)
Seal	221207
Kwik Slv (Opt Rpr)	KWK99049

### 5-SPEED AUTOMATIC TRANSAXLE

#### Selector Shaft Seal/Man. Shaft

<b>2002</b>	(Aisin U150)
Seal	221207
Kwik Slv (Opt Rpr)	KWK99049

### 5-SPEED MANUAL TRANSAXLE

#### Input Shaft

<b>1993-1992</b>	(E53)
Seal	223010
Kwik Slv (Opt Rpr)	KWK99114

#### Output Shaft

<b>1993-1992</b>	(E53)
Seal (LH)	223540
Kwik Slv (Opt Rpr) (LH)	KWK99139
Seal Viton (RH)	224026
Kwik Slv (Opt Rpr) (RH)	KWK99157
<b>1991-1990</b>	(E52)
Seal	710112[2]
Kwik Slv (Opt Rpr)	KWK99196[2]

#### Selector Shaft Seal/Man. Shaft

<b>1993-1990</b>	
Seal	1015N

Mfg./Year    Model & Location    Part No    Mfg./Year    Model & Location    Part No

---

**LEXUS - FRONT DRIVE - ES250, ES300, ES330 (cont.)**

---

**OIL PUMP**

**6 Cylinder**

2002-1994    2955cc/3.0L (DOHC)  
 Seal ..... 224020  
 Kwik Slv (Opt Rpr) .....KWK99157

**CAMSHAFT SEAL**

**6 Cylinder**

2002-1994    2995cc/3.0L (DOHC)  
 Seal ..... 223801[2]  
 Kwik Slv (Opt Rpr) .....KWK99147[2]  
 1993-1992    2958cc/3.0L (DOHC)  
 Seal ..... 223801[4]  
 Kwik Slv (Opt Rpr) .....KWK99147[4]  
 1991-1990    2507cc/2.5L (DOHC)  
 Seal ..... 223801[2]  
 Kwik Slv (Opt Rpr) .....KWK99147[2]

**CRANKSHAFT FRONT SEAL**

**6 Cylinder**

1993-1990    2507cc/2.5L, 2958cc/3.0L (DOHC)  
 Seal ..... 224020  
 Kwik Slv (Opt Rpr) .....KWK99157

**CRANKSHAFT REAR SEAL**

**6 Cylinder**

2003-1990    2507cc/2.5L, 2958cc/3.0L, 2995/3.0L (DOHC)  
 Seal Viton ..... 229210

---

**LEXUS - REAR DRIVE - GS300, GS400, GS430, IS300, LS400, LS430, SC300, SC400, SC430**

---

**FRONT WHEEL**

2005-2001    IS300  
 Ball Bearing ..... 513150[2]  
 2005-1998    GS300, GS400, GS430, SC300, SC400, SC430  
 Seal ..... 1941[2]  
 Ball Bearing ..... 510017[2]  
 2004-2001    LS430  
 Hub Assembly ..... HA593550[2]  
 2000-1998    LS400  
 Ball Bearing ..... 510071[2]  
 1997-1990  
 Seal ..... 1941[2]  
 Ball Bearing ..... 510017[2]

**REAR WHEEL**

2005-2001    IS300  
 Ball Bearing ..... 511028[2]  
 2005-1998    GS300, GS400, GS430, SC430  
 Ball Bearing ..... 511028[2]  
 2004-2001    LS430  
 Hub Assembly ..... HA591050[2]  
 2000-1998    LS400, SC300, SC400  
 Seal (Inner) ..... 1928[2]  
 Ball Bearing (Inner) ..... 511007[2]  
 Seal (Outer) ..... 1935[2]  
 1997-1990  
 Seal (Inner) ..... 1928[2]  
 Ball Bearing (Inner) ..... 511007[2]  
 Seal (Outer) ..... 1935[2]

**4-SPEED AUTOMATIC TRANSMISSION**

**Torque Converter**

2000-1990    (A340E)  
 Seal ..... 223830  
 Kwik Slv (Opt Rpr) .....KWK99147

**Rear Seal/Ext. Housing**

1993-1990    (A340E)  
 Seal ..... 3459S

**Selector Shaft Seal/Man. Shaft**

1993-1990    (A340E)  
 Seal ..... 221207  
 Kwik Slv (Opt Rpr) .....KWK99049

**5-SPEED AUTOMATIC TRANSMISSION**

**Rear Seal/Ext. Housing**

2002-1996    (A650E)  
 Seal ..... 710142

**CLUTCH**

**Pilot Bearing**

1996-1992    2997cc/3.0L (DOHC)  
 Ball Bearing ..... 201CC

**Release Bearing**

1996-1992    6 Cyl.  
 Bearing Assembly ..... 614088

**5-SPEED MANUAL TRANSMISSION**

**Front Input Shaft**

1996-1992    (W58)  
 Seal ..... 1981  
 Kwik Slv (Opt Rpr) .....KWK99114

# Bearings and Seals

Mfg./Year	Model & Location	Part No	Mfg./Year	Model & Location	Part No
<b>LEXUS - REAR DRIVE - GS300, GS400, GS430, IS300, LS400, LS430, SC300, SC400, SC430 (cont.)</b>					

## 5-SPEED MANUAL TRANSMISSION

### Rear Output Shaft

1996-1992 (W58)	
Seal	223840

## 5-SPEED AUTOMATIC TRANSAXLE

### Torque Converter

2002-1996 (A650E)	
Seal	223830
Kwik Slv (Opt Rpr)	KWK99147

## OIL PUMP

### 8 Cylinder

2000-1990 3969cc/4.0L (DOHC)	
Seal	473677
Kwik Slv (Opt Rpr)	KWK99157

## CAMSHAFT SEAL

### 6 Cylinder

2003-1992 2997cc/3.0L (DOHC)	
Seal	710436[2]

### 8 Cylinder

2000-1990 3969cc/4.0L (DOHC)	
Seal	223802[2]
Kwik Slv (Opt Rpr)	KWK99147[2]

## CRANKSHAFT FRONT SEAL

### 6 Cylinder

2003-1992 2997cc/3.0L	
Seal	224663
Kwik Slv (Opt Rpr)	KWK99181

## CRANKSHAFT REAR SEAL

### 6 Cylinder

2003-1992 2997cc/3.0L (DOHC)	
Seal Viton	229005
Kwik Slv (Opt Rpr)	KWK99354

### 8 Cylinder

2003-1990 3969cc/4.0L (DOHC), 4293cc/4.3L (DOHC)	
Seal Viton	710352
Kwik Slv (Opt Rpr)	KWK99364

# LEXUS TRUCK - SUV - GX470, LX450, LX470, RX300, RX300 AWD, RX330

## FRONT WHEEL

2004 RX330	
Ball Bearing	510063[2]
2003-1999	
Ball Bearing	510006[2]

## 4WD/AWD

2006-1998 LX470	
Seal (Inner)	710456[2] <sup>25</sup>
Set (Outer)	SET47[2]
Cone/Cup (Inner)	JLM506849A-JLM506810[2]
2005-2003 GX470 (ABS)	
Bearing Module	HA597060[2]
2004 RX330	
Ball Bearing	510063[2]
2004-2003 GX470 (w/o ABS)	
Bearing Module	HA596060[2]
2003-1999 RX300 (AWD)	
Ball Bearing	510006[2]
1997-1996 LX450, LX470	
Seal (Inner)	226285[2]
Cone/Cup (Inner)	JLM104948-JLM104910[2]
Set (Outer)	SET47[2]

## REAR WHEEL

2006-1998 LX470	
Ball Bearing	510011[2]
2005-2003 GX470	
Bearing Module (LH)	HA594246[2]
Bearing Module (RH)	HA590050[2] <sup>25</sup>
2003-1999 RX300 (AWD)	
Ball Bearing (Inner)	514002B[2]
Seal (Outer)	225275[2]
2003-1999 RX300 (FWD)	
Hub Assembly (LH)	HA592460
Hub Assembly (RH)	HA592450
1997-1996 LX450	
Seal (Inner)	226285[2]
Cone/Cup (Inner)	JLM104948-JLM104910[2]
Set (Outer)	SET47[2]

## 4WD FRONT AXLE

### Differential

2002-1996 (8.875" R.G.)	
Bearing Assembly	32010X[2]

Mfg./Year	Model & Location	Part No	Mfg./Year	Model & Location	Part No
<b>LEXUS TRUCK - SUV - GX470, LX450, LX470, RX300, RX300 AWD, RX330</b>					
<b>(cont.)</b>					

**4WD FRONT AXLE**

**Pinion**

2002-1996 (8.875" R.G.)  
Seal (Outer) ..... 1177

**REAR AXLE**

**Differential**

2002-1999 (6.7" R.G.)  
Seal ..... 710419[2]  
Set ..... SET45[2]  
Kwik Slv (Opt Rpr) .....KWK99139[2]  
2002-1996 (8.875" R.G.)  
Bearing Assembly .....32010X[2]

**Pinion**

2002-1999 (6.7" R.G.)  
Cone/Cup (Inner) .....HM88649-HM88610  
Seal (Outer) ..... 1176S  
Cone/Cup (Outer) ..... M86649-M86610  
Kwik Slv (Opt Rpr) .....KWK99147  
2002-1996 (8.875" R.G.)  
Seal (Outer) ..... 1177

**TRANSFER CASE**

**Input Shaft**

1997-1996 (HF2AV)  
Seal ..... 224810  
Kwik Slv (Opt Rpr) .....KWK99189

**Front Output Shaft**

1997-1996 (HF2AV)  
Seal ..... 224815  
Ball Bearing ..... 208S  
Kwik Slv (Opt Rpr) .....KWK99189

**Rear Output Shaft**

1997-1996 (HF2AV)  
Seal ..... 710173  
Ball Bearing ..... 110CB

**4-SPEED AUTOMATIC TRANSMISSION**

**Torque Converter**

2002-1998 (A343F)  
Seal ..... 223830  
Kwik Slv (Opt Rpr) .....KWK99147  
1997-1996 (A442F)  
Seal Viton ..... 2025  
Kwik Slv (Opt Rpr) .....KWK99169

**Rear Seal/Ext. Housing**

2002-1998 (A343F)  
Seal ..... 3459S  
1997-1996 (A442F)  
Seal ..... 224820

**4-SPEED AUTOMATIC TRANSMISSION**

**Selector Shaft Seal/Man. Shaft**

2002-1996 (A343F, A442F)  
Seal ..... 221207  
Kwik Slv (Opt Rpr) .....KWK99049

**4-SPEED AUTOMATIC TRANSAXLE**

**Differential**

2002-1999 (A140E, A140F)  
Seal ..... 710416[2]

**Torque Converter**

2002-1999 (A140E, A140F)  
Seal ..... 223830  
Kwik Slv (Opt Rpr) .....KWK99147

**Output Shaft**

2002-1999 (A140E, A140F)  
Seal ..... 223540[2]  
Kwik Slv (Opt Rpr) .....KWK99139

**Selector Shaft Seal/Man. Shaft**

2002-1999 (A140E, A140F)  
Seal ..... 221207  
Kwik Slv (Opt Rpr) .....KWK99049

**ALTERNATOR**

1997-1996 (Nippondenso 90)(Amp.)  
Ball Bearing (Drive End) ..... 302CC

**POWER STEERING**

**Pump Shaft**

2002-1998 LX470  
Seal ..... 710412

**OIL PUMP**

**6 Cylinder**

2002-1999 2995cc/3.0L (DOHC)  
Seal ..... 224020  
Kwik Slv (Opt Rpr) .....KWK99157

**8 Cylinder**

2002-1998 4664cc/4.7L  
Seal ..... 473677  
Kwik Slv (Opt Rpr) .....KWK99157

**CAMSHAFT SEAL**

**6 Cylinder**

2002-1999 2995cc/3.0L (DOHC)  
Seal ..... 223801[2]  
Kwik Slv (Opt Rpr) .....KWK99147[2]

# Bearings and Seals

Mfg./Year	Model & Location	Part No	Mfg./Year	Model & Location	Part No
<b>LEXUS TRUCK - SUV - GX470, LX450, LX470, RX300, RX300 AWD, RX330</b>					
<b>(cont.)</b>					

## CAMSHAFT SEAL

### 8 Cylinder

2002-1998	4664cc/4.7L	
Seal	.....	223802[2]
Kwik Slv (Opt Rpr)	.....	KWK99147[2]

## CRANKSHAFT FRONT SEAL

### 6 Cylinder

1997-1996	4476cc/4.5L	
Seal	.....	710187

## CRANKSHAFT REAR SEAL

### 6 Cylinder

2003-1999	2997cc/3.0L	
Seal Viton	.....	229210
1997-1996	4476cc/4.5L	
Seal	.....	710526

### 8 Cylinder

2003-1998	4664cc/4.7L	
Seal Viton	.....	710352
Kwik Slv (Opt Rpr)	.....	KWK99364

# LINCOLN - FRONT DRIVE - Continental

## FRONT WHEEL

2002-1995		
Hub Assembly	.....	513100[2]
1994-1991	(From 2/1991)	
Set	.....	SET49[2]
Hub Assembly Opt	.....	520100[2]
1991-1990	(To 1/91)	
Set	.....	SET49[2]
Hub Assembly Opt	.....	520000[2]

## REAR WHEEL

2002-1993		
Hub Assembly	.....	512107[2]
1992-1990		
Hub Assembly	.....	512105[2] <sup>16</sup>

## 4-SPEED AUTOMATIC TRANSAXLE

### Differential

2002-1990		
Ball Bearing	.....	208[2]

### Torque Convertor

2002-1990		
Seal	.....	4189H

### Output Shaft

2002-1990		
Seal	.....	3622S[2]
Kwik Slv (Opt Rpr)	.....	KWK99169[2]

## ALTERNATOR

1990	(Motorcraft)	
Ball Bearing (Drive End)	.....	203FF
1990	(Motorcraft)	
Ball Bearing (Rear End)	.....	MNJ471S

## POWER STEERING

### Input Shaft

1995-1990		
Seal	.....	471645
Needle Bearing	.....	FC65753

### Pitman Shaft

1992-1990		
Seal	.....	710504

### Pump Shaft

2002-1990		
Seal	.....	8773S

### Worm Shaft

1995-1990		
Ball Bearing	.....	201CC

## CRANKSHAFT FRONT SEAL

### 6 Cylinder

1994-1990	232/3.8L	
Seal (Frt Entry)	.....	2692
Seal (Rr Entry)	.....	2942
Kwik Slv (Opt Rpr)	.....	KWK99187
Harmonic Balancer Slv	.....	88187

### 8 Cylinder

2002-1995	281/4.6L	
Seal	.....	482041N
Kwik Slv (Opt Rpr)	.....	KWK99187
Harmonic Balancer Slv	.....	88187

## CRANKSHAFT REAR SEAL

### 6 Cylinder

1994-1990	232/3.8L	
Seal Viton	.....	3909
Seal PTFE H/D Opt	.....	5277
Kwik Slv (Opt Rpr)	.....	KWK99363

Mfg./Year    Model & Location    Part No    Mfg./Year    Model & Location    Part No

---

**LINCOLN - FRONT DRIVE - Continental (cont.)**

---

**CRANKSHAFT REAR SEAL**

**8 Cylinder**

2002-1995	281/4.6L	
Seal Viton	.....	3909
Seal PTFE H/D Opt	.....	5277
Kwik Slv (Opt Rpr)	.....	KWK99363

---

**LINCOLN - REAR DRIVE - Continental, LS, Mark Series, Town Car**

---

**FRONT WHEEL**

2005-2000	LS	
Hub Assembly	.....	HA590213[2]
2004-2003	Town Car (ABS)	
Hub Assembly	.....	513196[2]
2002-1997	Town Car (From 4/1997)	
Hub Assembly	.....	513202[2]
1998-1993	Mark Ser.	
Hub Assembly	.....	513092[2]
1997-1992	Town Car (Thru 3/1997)	
Hub Assembly	.....	513104[2]
1993-1990	(Exc. Town Car)	
Seal (Inner)	.....	9150S[2]
Set (Inner)	.....	SET5[2]
Set (Outer)	.....	SET12[2]
1991-1990	Town Car	
Seal (Inner)	.....	6815[2]
Set (Inner)	.....	SET11[2]
Set (Outer)	.....	SET12[2]

**REAR WHEEL**

2006-1993	Town Car, Continental (Exc. Limo. Ch.)	
Seal	.....	8660S[2]
Cylindrical Bearing	.....	5707[2]
Kit Opt	.....	TRP1563TAV[2] <sup>19</sup>
2005-2000	LS	
Ball Bearing	.....	511032[2]
2004-1990	Town Car (Limo. Ch.)	
Seal	.....	8835S[2]
Cylindrical Bearing	.....	6408[2]
Kit Opt	.....	TRP1559TV[2] <sup>19</sup>
1998-1993	Mark Ser.	
Set	.....	SET49[2]
1992-1990	(Exc. Limo. Ch.)	
Seal	.....	8660S[2]
Cylindrical Bearing	.....	5707[2]
Kit Opt	.....	TRP1563TAV[2] <sup>19</sup>

**REAR AXLE**

**Axle Shaft**

2002-2000	(IRS 8" R.G.)	
Seal Viton	.....	714569[2]
Needle Bearing	.....	FC66998[2]
Kwik Slv (Opt Rpr)	.....	KWK99157[2]
1998-1990	(IRS 7.5" R.G., IRS 8.8" R.G.)	
Seal Viton	.....	714569[2]
Needle Bearing	.....	FC66998[2]
Kwik Slv (Opt Rpr)	.....	KWK99157[2]

**Differential Rebuild Kit**

2005-1990	(8.5", 8.8" R.G.)	
Kit	.....	DRK311

**Differential**

2005-2000	LS	
Set	.....	SET36[2]
2005-1990	Town Car	
Set	.....	SET36[2]
1998-1993	Mark Ser.	
Cone/Cup	.....	LM501349-LM501314[2]

**Pinion**

2005-2000	(8" R.G.)	
Cone/Cup (Inner)	.....	NP559445-NP945727
Seal Viton (Outer)	.....	3604
Cone/Cup (Outer)	.....	M88048-M88010
2005-1999	(8.8" R.G.)	
Cone/Cup (Inner)	.....	M802048-M802011
Seal Viton (Outer)	.....	3604
Cone/Cup (Outer)	.....	M88048-M88010
1998-1990		
Cone/Cup (Inner)	.....	M802048-M802011
Seal Viton (Outer)	.....	3604
Cone/Cup (Outer)	.....	M88048-M88010
Cylindrical Bearing Pilo	.....	R1535TAV

**4-SPEED AUTOMATIC TRANSMISSION**

**Torque Converter**

2002-1991	(AODE)	
Seal	.....	3404
1991-1990	(AOT, AOD)	
Seal	.....	331107N
Kwik Slv (Opt Rpr)	.....	KWK99199

**Rear Seal/Ext. Housing**

2002-1995	(AODE)	
Seal	.....	4764
1994-1990	(AODE)	
Seal	.....	7692S
Seal Kit	.....	5202 <sup>64</sup>
1991-1990	(AOT, AOD)(long boot)	
Seal	.....	7692S
Seal Kit	.....	5202 <sup>64</sup>

<sup>19</sup>Opt. Axle Rpr Brg. Replaces O.E. Brg & Seal

<sup>64</sup>Opt. Seal & Bushing Kit



# Bearings and Seals

Mfg./Year    Model & Location    Part No    Mfg./Year    Model & Location    Part No

---

**LINCOLN - REAR DRIVE - Continental, LS, Mark Series, Town Car (cont.)**

---

## 4-SPEED AUTOMATIC TRANSMISSION

### Selector Shaft Seal/Man. Shaft

2002-1990  
Seal ..... 7929S

## ALTERNATOR

1990 (Motorcraft)(w/o 95 Amp.)  
Ball Bearing (Drive End) ..... 203FF  
1990 (Motorcraft)(w/o 95 Amp.)  
Ball Bearing (Rear End) ..... MNJ471S

## CRANKSHAFT FRONT SEAL

### 6 Cylinder

2005-2000 182/3.0L  
Seal ..... 482041N  
Kwik Slv (Opt Rpr) ..... KWK99187  
Harmonic Balancer Slv ..... 88187

### 8 Cylinder

2005-1990 281/4.6L  
Seal ..... 482041N  
Kwik Slv (Opt Rpr) ..... KWK99187  
Harmonic Balancer Slv ..... 88187

## CRANKSHAFT FRONT SEAL (cont.)

### 8 Cylinder (cont.)

1991-1990 302/5.0L, 351/5.8L, 400/6.6L,  
460/7.5L  
Seal (Frnt Entry) ..... 2692  
Seal (Rr Entry) ..... 2942  
Kwik Slv (Opt Rpr) ..... KWK99187  
Harmonic Balancer Slv ..... 88187

## CRANKSHAFT REAR SEAL

### 6 Cylinder

2005-2000 182/3.0L  
Seal Viton ..... 3909  
Seal PTFE H/D Opt ..... 5277  
Kwik Slv (Opt Rpr) ..... KWK99363

### 8 Cylinder

2005-1990 281/4.6L, 302/5.0L  
Seal Viton ..... 3909  
Seal PTFE H/D Opt ..... 5277  
Kwik Slv (Opt Rpr) ..... KWK99363

---

# LINCOLN TRUCK - PICKUP, SUV - Aviator, Blackwood, Navigator

---

## FRONT WHEEL

### 2WD

2003-2002 Blackwood  
Seal (Inner) ..... 4148[2]  
Cone/Cup (Inner) ..... JL69349P-JL69310P[2]  
Set (Outer) ..... SET12FP[2]<sup>60</sup>  
2002-1998  
Seal (Inner) ..... 4148[2]  
Cone/Cup (Inner) ..... JL69349P-JL69310P[2]  
Set (Outer) ..... SET12FP[2]<sup>60</sup>

### 4WD/AWD

2005-2003 Aviator  
Hub Assembly ..... SP470200[2]<sup>40</sup>  
2004-2000 (ABS)(M14 Bolts)  
Hub Assembly ..... 515031[2]  
2000-1998 (ABS)(M12 Bolts)  
Hub Assembly ..... SP550201[2]<sup>40</sup>

## REAR WHEEL

2005-2003 Aviator  
Hub Assembly ..... HA590259K[2]<sup>68</sup>  
2003-2002 Blackwood  
Seal Viton ..... 100357[2]  
Cylindrical Bearing ..... DB69881[2]<sup>25</sup>  
Kit ..... TF01561R[2]<sup>19</sup>  
2002-1998 NavigaTor (w/o Indep. Rr.  
Susp.)  
Seal Viton ..... 100357[2]  
Cylindrical Bearing ..... DB69881[2]<sup>25</sup>  
Kit ..... TF01561R[2]<sup>19</sup>

## 4WD FRONT AXLE

### Differential Rebuild Kit

2002-1998 (8.8" R.G.)  
Kit ..... DRK311F

### Differential

2005-2003 (8.8" R.G.)  
Cone/Cup ..... LM603049-LM603019[2]  
2005-2003 Aviator  
Cone/Cup ..... LM501349-LM501314[2]  
2002-1998 (8.8" R.G.)  
Set ..... SET36[2]

### Pinion

2005-1998 (8.8" R.G.)  
Cone/Cup (Inner) ..... M802048-M802011  
Seal Viton (Outer) ..... 3604  
Cone/Cup (Outer) ..... M88048-M88010

## REAR AXLE

### Differential Rebuild Kit

2002-1998 (8.8" R.G.)  
Kit ..... DRK311

## REAR AXLE

### Differential

2005-2003	(8.8" R.G.)	
Cone/Cup	.....	LM603049-LM603019[2]
2005-1998	(9.75" R.G.)	
Cone/Cup	.....	NP343847-NP372019[2]
2002-1998	(8.8" R.G.)	
Set	.....	SET36[2]

### Pinion

2005-2004	(9.75" R.G.)	
Cone/Cup (Inner)	.....	M802048-M802011
Seal Viton (Outer)	.....	4278
Cone/Cup (Outer)	.....	HM89443-HM89411
2005-1998	(8.8" R.G.)	
Cone/Cup (Inner)	.....	M802048-M802011
Seal Viton (Outer)	.....	3604
Cone/Cup (Outer)	.....	M88048-M88010
2003-1998	(9.75" R.G.)	
Cone/Cup (Inner)	.....	NP576375-NP434567
Seal Viton (Outer)	.....	3604
Cone/Cup (Outer)	.....	M88048-M88010

## TRANSFER CASE REBUILD KIT

2002-1998	(Warner 4406)	
Kit	.....	TCRK4406

## TRANSFER CASE

### Input Shaft

2002	(Warner 4416)	
Needle Bearing Pilot	.....	BK3026
2002-1998	(Warner 4406)	
Ball Bearing	.....	211TB
Needle Bearing Pilot	.....	BK3026

### Front Output Shaft

2003		
Seal	.....	4503N
2002-1998	(Warner 4406, 4416)	
Seal	.....	4333N
Ball Bearing	.....	208

### Rear Output Shaft

2002	(Warner 4416)	
Seal	.....	4503N
2002-1998	(Warner 4406)	
Seal	.....	4503N
Ball Bearing	.....	207

### Selector Shaft Seal/Man. Shaft

2002-1998	(Warner 4406, 4416)	
Seal	.....	330385

## 4-SPEED AUTOMATIC TRANSMISSION

### Torque Converter

2002-1998	(AODE)	
Seal	.....	3404

## 4-SPEED AUTOMATIC TRANSMISSION

### Rear Seal/Ext. Housing

2002-1998	(AODE)	
Seal	.....	4765

### Selector Shaft Seal/Man. Shaft

2002-1998	(AODE)	
Seal	.....	7929S

## POWER STEERING

### Pump Shaft

2001-1998		
Seal	.....	8773S

## CRANKSHAFT FRONT SEAL

### 8 Cylinder

2005-2003	281/4.6L	
Seal	.....	482041N
2005-1998	330/5.4L (DOHC)	
Seal	.....	482041N
Kwik Slv (Opt Rpr)	.....	KWK99187
Harmonic Balancer Slv	.....	
Opt	.....	88187
2000-1998	330/5.4L (SOHC)	
Seal	.....	482041N
Kwik Slv (Opt Rpr)	.....	KWK99187
Harmonic Balancer Slv	.....	
Opt	.....	88187

## CRANKSHAFT REAR SEAL

### 8 Cylinder

2005-2003	281/4.6L (DOHC)	
Seal Viton	.....	3909
Seal PTFE H/D Opt	.....	5277
Kwik Slv (Opt Rpr)	.....	KWK99363
2005-1998	330/5.4L (DOHC)	
Seal Viton	.....	3909
Seal PTFE H/D Opt	.....	5277
Kwik Slv (Opt Rpr)	.....	KWK99363
2000-1998	330/5.4L (SOHC)	
Seal Viton	.....	3909
Seal PTFE H/D Opt	.....	5277
Kwik Slv (Opt Rpr)	.....	KWK99363

# Bearings and Seals

Mfg./Year    Model & Location    Part No    Mfg./Year    Model & Location    Part No

## **MACK TRUCK - 200 Series, 250 Series, 300 Series**

### **FRONT WHEEL**

<b>1993-1990</b> (RVI 408.06 Axle)	
Seal (Inner) .....	717004[2]
Bearing Assembly (Inne .....	33214[2]
Bearing Assembly (Outer) .....	33210[2]
<b>1993-1990</b> (RVI Axle)(0.9744" wide Brg.)	
Seal (Inner) .....	717005[2]
Bearing Assembly (Inne .....	33211[2]
Bearing Assembly (Outer) .....	33208[2]
<b>1993-1990</b> (RVI Axle)(1.2600" wide Brg.)	
Seal (Inner) .....	717005[2]
Bearing Assembly (Inne .....	33211[2]
Bearing Assembly (Outer) .....	32208M[2]

### **REAR WHEEL**

<b>1993-1990</b>	
Seal (Inner) .....	370220A[2] <sup>57</sup>
Cone/Cup (Inner) .....	594-593X[2]
Cone/Cup (Outer) .....	594-593X[2]

### **REAR AXLE**

#### **Differential Rebuild Kit**

<b>1993-1990</b> (Eaton 16247 axle)	
Kit .....	DRK23D
<b>1993-1990</b> (Eaton 18207 axle)	
Kit .....	DRK1
<b>1993-1990</b> (Eaton 18227 axle)	
Kit .....	DRK1

#### **Differential**

<b>1993-1990</b> (Eaton 16247 axle)	
Cone/Cup (LH) .....	495A-493
Cone/Cup (RH) .....	42381-42584
<b>1993-1990</b> (Eaton 18207, 18227, 22127, 22227 axle)	
Cone/Cup (LH) .....	56425-56650
Cone/Cup (RH) .....	497-493
<b>1993-1990</b> (RVI axle)	
Cone/Cup .....	JM716649-JM716610[2]

### **REAR AXLE**

#### **Pinion**

<b>1993-1990</b> (Eaton 16247 axle)	
Cone/Cup (Inner) .....	55175C-55437
Seal (Outer) .....	9773R
Cone/Cup (Outer) .....	55175C-55437
Cylindrical Bearing Pilo .....	MUS1307UM
<b>1993-1990</b> (Eaton 18207, 18227 axle)	
Cone/Cup (Inner) .....	55200C-55437
Seal (Outer) .....	9773R
Cone/Cup (Outer) .....	55200C-55437
Cylindrical Bearing Pilo .....	MUS1307UM
<b>1993-1990</b> (Eaton 22127, 22227 axle)	
Cone/Cup (Inner) .....	72200C-72487
Seal (Outer) .....	9773R
Cone/Cup (Outer) .....	72200C-72487
Cylindrical Bearing Pilo .....	MUS1307UM
<b>1993-1990</b> (RVI axle)	
Cone/Cup (Inner) .....	65390-65320
Cone/Cup (Outer) .....	HM807040-HM807010

### **CLUTCH**

#### **Pilot Bearing**

<b>1993-1990</b> 8.8 (Turbo Diesel)	
Ball Bearing .....	305DD
<b>1993-1990</b> 5.5 (Turbo Diesel)	
Ball Bearing .....	105CC

### **DRIVESHAFT SUPPORT**

<b>1993-1990</b> (Spicer 1550, 1610, 1650)(1.7717" Brg. I.D.)	
Hanger Brg Assy .....	HB88509A

## **MASERATI**

### **FRONT WHEEL**

<b>1992-1990</b> 228	
Set (Inner) .....	SET6[2]
Set (Outer) .....	SET2[2]
<b>1992-1990</b> 430	
Set (Inner) .....	SET6[2]
Set (Outer) .....	SET2[2]
<b>1991-1990</b> Spyder	
Set (Inner) .....	SET6[2]
Set (Outer) .....	SET2[2]

### **REAR WHEEL**

<b>1993-1990</b> 228	
Cone/Cup (Inner) .....	LM78349-LM78310A[2]
Cone/Cup (Outer) .....	LM300849-LM300811[2]
<b>1993-1990</b> 430	
Cone/Cup (Inner) .....	LM78349-LM78310A[2]
Cone/Cup (Outer) .....	LM300849-LM300811[2]
<b>1992-1990</b> Spyder	
Cone/Cup (Inner) .....	LM78349-LM78310A[2]
Cone/Cup (Outer) .....	LM300849-LM300811[2]

Mfg./Year	Model & Location	Part No	Mfg./Year	Model & Location	Part No
-----------	------------------	---------	-----------	------------------	---------

**MASERATI (cont.)**

**REAR AXLE**

**Differential**

1993-1990	228, 430	
	Cone/Cup	LM501349-LM501311[2]

**MAZDA - FRONT WHEEL DRIVE - GLC (84-85), Mazda3, Mazda6, Millenia, MX3, MX6, Protege, Protege AWD, 323, 323 AWD, 626**

**FRONT WHEEL**

2005-2003	Mazda6	
	Ball Bearing	510053[2]
2004	Mazda3 (ABS)	
	Hub Assembly	HA590097[2] <sup>25</sup>
2004	Mazda3 (w/o ABS)	
	Hub Assembly	HA590072[2] <sup>25</sup>
2003-1990	Protege'	
	Seal	1932S[2]
	Ball Bearing	510003[2]
2002-2001	Millenia 2.3	
	Seal	710392[2]
	Ball Bearing	511019[2]
2002-2001	Millenia 2.5	
	Seal	1932S[2]
	Ball Bearing	510010[2]
2002-1998	626 (w/o ABS)	
	Seal	1932S[2]
	Ball Bearing	510010[2]
2000-1997	Millenia	
	Seal	1932S[2]
	Ball Bearing	510010[2]
1997-1993	626	
	Seal	1932S[2]
	Ball Bearing	510010[2]
1997-1993	MX 6	
	Seal	1932S[2]
	Ball Bearing	510010[2]
1996-1995	Millenia 2.3	
	Seal	710392[2]
	Ball Bearing	511019[2]
1996-1995	Millenia 2.5	
	Seal	1932S[2]
	Ball Bearing	510010[2]
1996-1992	MX 3	
	Seal	1932S[2]
	Ball Bearing	510003[2]
1995-1990	323	
	Seal	1932S[2]
	Ball Bearing	510003[2]
1992-1990	MX 6	
	Seal	1932S[2]
	Bearing Assembly	513057[2]
1992-1990	626	
	Seal	1932S[2]
	Bearing Assembly	513057[2]

**REAR WHEEL**

2004	Mazda3 (ABS)	
	Hub Assembly	HA590099[2] <sup>25</sup>
2004	Mazda3 (w/o ABS)	
	Hub Assembly	HA590098[2] <sup>25</sup>

**REAR WHEEL (cont.)**

2004-2003	Mazda6 (ABS)	
	Hub Assembly	HA590100[2] <sup>25</sup>
2004-2003	Mazda6 (w/o ABS)	
	Hub Assembly	HA590095[2] <sup>25</sup>
2002-2001	Millenia (ABS)(Disc Brks.)	
	Hub Assembly	513131[2]
2002-2001	Protege (ABS)(Disc Brks.)	
	Hub Assembly	513131[2]
2002-1998	626 (ABS)	
	Hub Assembly	512186[2]
2002-1993	626 (w/o ABS)	
	Hub Assembly	512119[2]
2002-1990	Protege' (w/o ABS)(Drum Brks.)	
	Hub Assembly	513030[2]
2000-1995	Millenia (ABS)	
	Hub Assembly	512118[2]
2000-1995	Protege' (Disc Brks.)	
	Hub Assembly	512161[2]
1997-1993	626 (ABS)	
	Hub Assembly	512118[2]
1997-1993	MX 6 (ABS)	
	Hub Assembly	512118[2]
1997-1993	MX 6 (w/o ABS)	
	Hub Assembly	512119[2]
1994-1992	MX 3 (Disc Brks.)	
	Hub Assembly	512161[2]
1994-1992	MX 3 (w/o ABS)	
	Hub Assembly	513030[2]
1994-1990	323	
	Hub Assembly	513030[2]
1992-1990	626 (4 Whl. Steering)	
	Seal	710191[2]
	Bearing Assembly	513245[2]
1992-1990	626 (w/o 4 Whl. Steering)	
	Seal	224235[2]
	Bearing Assembly	513055[2]
1992-1990	MX 6 (4 Whl. Steering)	
	Seal	710191[2]
	Bearing Assembly	513245[2]
1992-1990	MX 6 (w/o 4 Whl. Steering)	
	Seal	224235[2]
	Bearing Assembly	513055[2]
1991-1990	Protege' (AWD)	
	Seal	1932S[2]
	Ball Bearing	510003[2]

<sup>25</sup>New Item, Check For Availability

# Bearings and Seals

Mfg./Year	Model & Location	Part No	Mfg./Year	Model & Location	Part No
<b>MAZDA - FRONT WHEEL DRIVE - GLC (84-85), Mazda3, Mazda6, Millenia, MX3, MX6, Protege, Protege AWD, 323, 323 AWD, 626 (cont.)</b>					

## REAR AXLE

### Pinion

1991-1990	Protege (AWD), 323 (AWD)	
	Bearing Assembly (Inne)	32206M
	Seal (Outer)	710217
	Bearing Assembly (Outer)	32205
	Kwik Slv (Opt Rpr)	KWK99139

## CLUTCH

### Pilot Bearing

1996-1990	Ball Bearing	202SS
-----------	--------------	-------

### Release Bearing

2002-2001	626, 2.0L	
	Bearing Assembly	614067
2002-2001	Protege, 1.66L	
	Bearing Assembly	614128
2002-2001	Protege, 2.0L	
	Bearing Assembly	614067
1997-1993	626 4 Cyl.	
	Bearing Assembly	614079
1997-1993	MX 6 4 Cyl.	
	Bearing Assembly	614079
1996-1993	626 6 Cyl.	
	Bearing Assembly	614079
1996-1993	MX 6 6 Cyl.	
	Bearing Assembly	614079
1996-1990	Proteg (FWD)(SOHC)	
	Bearing Assembly	614128
1995-1993	RX 7 (Twin Turbo)	
	Bearing Assembly	614164
1995-1992	MX 3	
	Bearing Assembly	614128
1993-1990	323 (SOHC)	
	Bearing Assembly	614128
1993-1990	MX 6 (w/o Turbo)	
	Bearing Assembly	614067
1992-1990	Proteg, (DOHC)	
	Bearing Assembly	614067
1992-1990	MX 6 (Turbo)	
	Bearing Assembly	614079
1992-1990	929	
	Bearing Assembly	614079
1992-1990	626 (Turbo)	
	Bearing Assembly	614079
1992-1990	626 (w/o Turbo)	
	Bearing Assembly	614067
1992-1990	RX 7 (Turbo)	
	Bearing Assembly	614079
1991-1990	Proteg, (4WD)	
	Bearing Assembly	614079

## 3-SPEED AUTOMATIC TRANSAXLE

### Torque Converter

1991-1990	(F3A)	
	Seal	1012N
	Kwik Slv (Opt Rpr)	KWK99177

### Output Shaft

1991-1990	(F3A)	
	Seal	223543[2]
	Kwik Slv (Opt Rpr)	KWK99139[2]

### Differential

1991-1990	(F3A)	
	Bearing Assembly	32008XM[2]

## 4-SPEED AUTOMATIC TRANSAXLE

### Differential

2002-1990	(F4A EL)	
	Set	SET17[2]
2000-1995	(JF403)	
	Bearing Assembly	30208M[2]
1997-1990	(G4A EL)	
	Bearing Assembly	32008XM[2]

### Torque Converter

2002-1990	(F4A EL, G4A EL, G4A HL)	
	Seal	710446
2000-1995	(JF403)	
	Seal	710114

### Output Shaft

2002-1990	(F4A EL, G4A EL, G4A HL)	
	Seal (LH)	223543
	Kwik Slv (Opt Rpr) (LH)	KWK99139
	Seal (RH)	2007N
	Kwik Slv (Opt Rpr) (RH)	KWK99139

## 5-SPEED AUTOMATIC TRANSAXLE

### Output Shaft

2002-1996	(C4DE)	
	Seal	3622S[2]
	Kwik Slv (Opt Rpr)	KWK99169[2]

## 4-SPEED MANUAL TRANSAXLE

### Differential

1991-1990	(F4A)	
	Set	SET17[2]

### Input Shaft

1991-1990	(F4A)	
	Seal	222430
	Kwik Slv (Opt Rpr)	KWK99098

Mfg./Year	Model & Location	Part No	Mfg./Year	Model & Location	Part No
<b>MAZDA - FRONT WHEEL DRIVE - GLC (84-85), Mazda3, Mazda6, Millenia, MX3, MX6, Protege, Protege AWD, 323, 323 AWD, 626 (cont.)</b>					

**4-SPEED MANUAL TRANSAXLE**

**Output Shaft**

<b>1991-1990</b> (F4A)	
Seal (LH) .....	223543
Kwik Slv (Opt Rpr) (LH) .....	KWK99139
Seal (RH) .....	2007N
Kwik Slv (Opt Rpr) (RH) .....	KWK99139

**5-SPEED MANUAL TRANSAXLE**

**Input Shaft**

<b>2002-1990</b> (F5A, F52, F501)	
Seal .....	222430
Kwik Slv (Opt Rpr) .....	KWK99098
<b>2002-1990</b> (F5F, G5A, G5M, G5Y, H5Y, G501)	
Seal (Outer) .....	1990
Set (Outer) .....	SET32
Kwik Slv (Opt Rpr) .....	KWK99106

**Countershaft**

<b>2002-1990</b> (F5A, F52, F501)	
Bearing Assembly (Frt) .....	32205

**Output Shaft**

<b>2002-1990</b> (F5A, F5F, F52, G5A, G5M, G5Y, H5Y, F501, G501)	
Seal (LH) .....	223543
Kwik Slv (Opt Rpr) (LH) .....	KWK99139
Seal (RH) .....	2007N
Kwik Slv (Opt Rpr) (RH) .....	KWK99139

**Selector Shaft Seal/Man. Shaft**

<b>2002-1990</b> (G5M, G5Y, H5Y)	
Seal .....	221620

**CV JOINT HALF SHAFT**

<b>1995-1992</b> MX 3 (1.6 )	
Seal (Inner) .....	710224
Seal (Outer) .....	710223
<b>1992-1990</b> 626	
Seal Dust Seal .....	710253
Seal (Inner) .....	710224
Seal (Outer) .....	710223
<b>1992-1990</b> MX 6	
Seal Dust Seal .....	710253
Seal (Inner) .....	710224
Seal (Outer) .....	710223

**CAMSHAFT SEAL**

**4 Cylinder**

<b>2002-1990</b> 1489cc/1.5L, 1597cc/1.6L, 1839cc/1.8L, 1991cc/2.0	
Seal .....	223420[2]
<b>1995-1990</b> 1597cc/1.6L, 1839cc/1.8L	
Seal .....	223012
<b>1992-1990</b> 1998cc/2.0L, 2184cc/2.2L	
Seal .....	223420

**6 Cylinder**

<b>2002-1992</b> 1844cc/1.8L, 2254cc/2.3L, 2497cc/2.5L	
Seal .....	223012[4]
Kwik Slv (Opt Rpr) .....	KWK99114[4]

**CRANKSHAFT FRONT SEAL**

**4 Cylinder**

<b>2002-1994</b> 2.0L (SOHC)(DOHC)	
Seal .....	223420
<b>2001-1992</b> 1489cc/1.5L, 1597cc/1.6L, 1839cc/1.8L	
Seal .....	710355
Kwik Slv (Opt Rpr) .....	KWK99145
<b>1993</b> 1991cc/2.0L From 3/13/93	
Seal .....	223420
<b>1993</b> 1991cc/2.0L, (Thru 3/12/93)	
Seal Viton .....	2012V
Kwik Slv (Opt Rpr) .....	KWK99166
<b>1992-1990</b> 1998cc/2.0L, 2184cc/2.2L	
Seal .....	223420
<b>1991</b> 1597cc/1.6L From 12/2/90	
Seal .....	710355
Kwik Slv (Opt Rpr) .....	KWK99145
<b>1991</b> 1597cc/1.6L To 12/1/90	
Seal .....	223012
Kwik Slv (Opt Rpr) .....	KWK99114
<b>1991</b> 1839cc/1.8L From 2/2/91	
Seal .....	710355
Kwik Slv (Opt Rpr) .....	KWK99145
<b>1991</b> 1839cc/1.8L To 2/1/91	
Seal .....	223012
Kwik Slv (Opt Rpr) .....	KWK99114
<b>1990</b> 1597cc/1.6L, 1839cc/1.8L	
Seal .....	223012
Kwik Slv (Opt Rpr) .....	KWK99114

**6 Cylinder**

<b>2002-1992</b> 1844cc/1.8L, 2254cc/2.3L, 2497cc/2.5L	
Seal Viton .....	2012V
Kwik Slv (Opt Rpr) .....	KWK99166

**CRANKSHAFT REAR SEAL**

**4 Cylinder**

<b>2003-1993</b> 2.0L (DOHC)	
Seal .....	229004
Kwik Slv (Opt Rpr) .....	KWK99347
<b>2003-1990</b> 1489cc/1.5L, 1597cc/1.6L, 1839cc/1.8L	
Seal .....	228250
Kwik Slv (Opt Rpr) .....	KWK99328
<b>1992-1990</b> 1998cc/2.0L, 2184cc/2.2L	
Seal .....	229010
Kwik Slv (Opt Rpr) .....	KWK99354

# Bearings and Seals

Mfg./Year	Model & Location	Part No	Mfg./Year	Model & Location	Part No
<b>MAZDA - FRONT WHEEL DRIVE - GLC (84-85), Mazda3, Mazda6, Millenia, MX3, MX6, Protege, Protege AWD, 323, 323 AWD, 626 (cont.)</b>					

## CRANKSHAFT REAR SEAL

### 6 Cylinder

2003	3.0L (DOHC)	
Seal Viton		3909
2002-1992	1844cc/1.8L, 2254cc/2.3L, 2497cc/2.5L	
Seal		1019S
Kwik Slv (Opt Rpr)		KWK99298

## MAZDA - REAR WHEEL DRIVE - MX5 Miata, RX7, 929

### FRONT WHEEL

2005-2004	RX 8 (ABS)	
Hub Assembly		HA590096[2] <sup>25</sup>
2005-1991	MX 5 Miata (ABS)	
Hub Assembly		513155[2]
2005-1990	MX 5 Miata (w/o ABS)	
Hub Assembly		513152[2]
1996-1992	929	
Hub Assembly		513131[2]
1995-1993	RX 7 (ABS)	
Hub Assembly		512118[2]
1992-1990	RX 7	
Seal (Inner)		1975S[2]
Bearing Assembly (Inne		32204[2]
Set (Outer)		SET11[2]
1991-1990	929	
Seal		1207N[2]
Ball Bearing		510035[2]

### REAR WHEEL

2005-1990	MX 5 Miata	
Seal		1932S[2]
Ball Bearing		510003[2]
1995-1993	RX 7	
Ball Bearing		511019[2]
1995-1992	929	
Ball Bearing		511019[2]
1992-1990	RX 7	
Seal		225872[2]
Ball Bearing		510010[2]
1991-1990	929	
Bearing Assembly		513057[2]

### REAR AXLE

#### Differential

2005-1990	MX 5 Miata	
Seal Viton		710218[2]
Cone/Cup		XAA32008X-Y32008X[2]
Kwik Slv (Opt Rpr)		KWK99139[2]
1995-1990	929	
Seal		223840[2]
Kwik Slv (Opt Rpr)		KWK99147[2]
1992-1990	RX 7 (Locking Diff.)	
Seal Viton		710218[2]
Kwik Slv (Opt Rpr)		KWK99139[2]

### REAR AXLE (cont.)

#### Differential (cont.)

1992-1990	RX 7 (w/o Locking Diff.)	
Seal		2007N[2]
Cone/Cup		XAA32008X-Y32008X[2]
Kwik Slv (Opt Rpr)		KWK99139[2]

#### Pinion

2005-1990	MX 5 Miata	
Bearing Assembly (Inne		32307
Seal (Outer)		2008S
Bearing Assembly		
(Outer)		32206M
Kwik Slv (Opt Rpr)		KWK99128
1995-1993	RX 7	
Bearing Assembly (Inne		32308
Bearing Assembly		
(Outer)		30306M
1995-1990	929	
Bearing Assembly (Inne		32307
Bearing Assembly		
(Outer)		30306M
1992-1990	RX 7 (Locking Diff.)	
Bearing Assembly (Inne		32207M
Bearing Assembly		
(Outer)		30306M
Ball Bearing Pilot		108TB
1992-1990	RX 7 (w/o Locking Diff.)	
Bearing Assembly (Inne		32207M
Seal (Outer)		712010
Bearing Assembly		
(Outer)		32206M
Kwik Slv (Opt Rpr)		KWK99189

### TRANSMISSION REBUILD KIT

2000-1990	(Dbl. Ball Frt. Brg.)	
Kit		TRKZ110
2000-1990	(single Ball Frt.)	
Kit		TRKZ100

### 4-SPEED AUTOMATIC TRANSMISSION

#### Torque Converter

1997-1990	(L4N71B)	
Seal Viton		2025
Kwik Slv (Opt Rpr)		KWK99166

## MAZDA - REAR WHEEL DRIVE - MX5 Miata, RX7, 929 (cont.)

### 4-SPEED AUTOMATIC TRANSMISSION (cont.)

#### Torque Converter (cont.)

1994-1992 (R4AEL)	
Seal	224663
Kwik Slv (Opt Rpr)	KWK99181

#### Rear Seal/Ext. Housing

1997-1990 (L4N71B)	
Seal	223801
1994-1992 (R4AEL)	
Seal	710517

### CLUTCH

#### Pilot Bearing

1996-1990 Rotary	
Ball Bearing	152016
1996-1990 (w/o rotary )	
Ball Bearing	202SS

### CLUTCH - ROTARY

#### Release Bearing

1995-1993 1308cc./130L (Turbo)(240mm Cl.)	
Bearing Assembly	614164
1992-1990 1308cc./130L, 1308cc./130L (Turbo)(230mm Cl.)	
Bearing Assembly	614079

### CLUTCH - 4 CYLINDER

#### Release Bearing

2003-1994 1839cc./1.8L (DOCH)(225mm Cl.)	
Bearing Assembly	614120
1993-1990 1597cc./1.6L (200mm Cl.)	
Bearing Assembly	614120

### 5-SPEED MANUAL TRANSMISSION

#### Front Input Shaft

1992-1990 (5D)	
Seal	1990
Ball Bearing	306L
Kwik Slv (Opt Rpr)	KWK99106
1991-1990 (5HC)	
Seal	1990
Ball Bearing	108A
Kwik Slv (Opt Rpr)	KWK99106

#### Countershaft

1992-1990 (5E)	
Ball Bearing (Frt)	5205KLE
Ball Bearing (Rr)	304WB
1991-1990 (5HC)	
Ball Bearing (Frt)	5205KLE

### 5-SPEED MANUAL TRANSMISSION

#### Intermediate Shaft

1992-1990 (w/o 5HC)	
Ball Bearing	306L

#### Rear Output Shaft

1992-1990 (5D)	
Ball Bearing	305AG

### 5-SPEED AUTOMATIC TRANSAXLE

#### Output Shaft

2003-1999 (C4DE)	
Seal	3622S[2]
Kwik Slv (Opt Rpr)	KWK99169[2]

### ALTERNATOR

1999-1990 65 Amp.	
Ball Bearing (Drive End)	303CC
Ball Bearing (Rear End)	201CC
1993-1990 Exc. Navajo	
Ball Bearing (Drive End)	303CC

### CAMSHAFT SEAL

#### 4 Cylinder

1999-1990 1597cc/1.6L, 1839cc/1.8L	
Seal	223420[2]

#### 6 Cylinder

1995-1990 2954/3.0L (DOHC)	
Seal (LH)	226510[2]
Seal (RH)	710338[2]
1991-1990 2954/3.0L (SOHC)	
Seal	1940[2]

### CRANKSHAFT FRONT SEAL

#### Rotary

1995-1990	
Seal Viton	226840

1995-1990	
Seal Viton	2025
Kwik Slv (Opt Rpr)	KWK99169

#### 4 Cylinder

2002-1991 1597cc/1.6L (From 2/2/91), 1839cc/1.8L	
Seal	710355
Kwik Slv (Opt Rpr)	KWK99145
1991-1990 1597cc/1.6L (To 2/1/91)	
Seal	223012
Kwik Slv (Opt Rpr)	KWK99114



# Bearings and Seals

Mfg./Year	Model & Location	Part No	Mfg./Year	Model & Location	Part No
-----------	------------------	---------	-----------	------------------	---------

## MAZDA - REAR WHEEL DRIVE - MX5 Miata, RX7, 929 (cont.)

### CRANKSHAFT FRONT SEAL

#### 6 Cylinder

1995-1990	2954cc/3.0L	
Seal		224660
Kwik Slv (Opt Rpr)		KWK99181

### CRANKSHAFT REAR SEAL

#### 4 Cylinder

2002-1990	1489cc/1.5L, 1597cc/1.6L, 1839cc/1.8L	
Seal		228250
Kwik Slv (Opt Rpr)		KWK99328

### CRANKSHAFT REAR SEAL

#### 6 Cylinder

1995-1990	2954cc/3.0L	
Seal		1019S
Kwik Slv (Opt Rpr)		KWK99298

## MAZDA TRUCK - PICKUP, SUV - B2200, B2300, B2500, B2600, B3000, B4000, MPV, Navajo, Tribute

### FRONT WHEEL

#### 2WD

2005-2000	MPV	
Seal		1932S[2]
Ball Bearing		510010[2]
2004-2001	Tribute	
Ball Bearing		510072[2]
2004-1995	B2300, B2500, B3000, B4000 Truck	
Seal (Inner)		9150S[2]
Set (Inner)		SET5[2]
Set (Outer)		SET2[2]
1998-1996	MPV	
Hub Assembly		513131[2]
1995-1990	MPV	
Hub Assembly		513131[2]
1994-1992	B2300, B3000, B4000 Truck	
Seal (Inner)		6815[2]
Set (Inner)		SET6[2]
Set (Outer)		SET2[2]
1994-1991	Navajo	
Seal (Inner)		6815[2]
Set (Inner)		SET6[2]
Set (Outer)		SET2[2]
1993-1992	B2200, B2600 Truck	
Seal (Inner)		225225[2]
Set (Inner)		SET5[2]
Bearing Assembly (Outer)		30205M[2]
1991-1990	B Ser. Truck	
Seal (Inner)		225225[2]
Set (Inner)		SET5[2]
Bearing Assembly (Outer)		30205M[2]

#### 4WD/AWD

2004-2001	Tribute	
Ball Bearing		510072[2]
2004-2000	B3000, B4000 (2 Whl. ABS)(w/o Auto Locking Hub)(From 6/22/00)	
Hub Assembly		515014[2]

### FRONT WHEEL (cont.)

#### 4WD/AWD (cont.)

2002-2000	B3000, B4000 (4 Whl. ABS)(w/o Auto Locking Hub)(From 6/22/00)	
Hub Assembly		SP450201[2] <sup>40</sup>
Sensor Kit		SK450201[2] <sup>16</sup>
2000-1998	B2000, B3000, B4000 (4 Whl. ABS)(w/o Auto Locking Hub)(to 6/21/00)	
Hub Assembly		515027[2]
2000-1998	B2500 (Rr. ABS)	
Hub Assembly		515026[2]
2000-1998	B3000, B4000 (2 Whl. ABS)(w/o Auto Locking Hub)(To 6/21/00)	
Hub Assembly		515026[2]
1998-1997	MPV	
Ball Bearing		510053[2]
1997-1994	B4000 Truck	
Seal (Inner)		4250[2]
Set (Inner)		SET37[2]
Set (Outer)		SET37[2]
1996-1994	B2300, B3000 Trucks	
Seal (Inner)		8312S[2]
Set (Inner)		SET45[2]
Set (Outer)		SET45[2]
1995-1990	MPV	
Seal (Inner)		1932S[2]
Ball Bearing (Inner)		510010[2]
Seal (Outer)		710225[2]
1994-1991	Navajo	
Seal (Inner)		4250[2]
Set (Inner)		SET37[2]
Set (Outer)		SET37[2]
1993-1990	B2600 Truck	
Seal (Inner)		710094[2]
Set (Inner)		SET47[2]
Seal (Outer)		710093[2]
Set (Outer)		SET11[2]

Mfg./Year	Model & Location	Part No	Mfg./Year	Model & Location	Part No
<b>MAZDA TRUCK - PICKUP, SUV - B2200, B2300, B2500, B2600, B3000, B4000, MPV, Navajo, Tribute (cont.)</b>					

### REAR WHEEL

<b>2004-2001</b>	Tribute	
	Ball Bearing .....	510029[2]
<b>2004-1994</b>	B2300 Truck	
	Seal .....	8660S[2]
	Cylindrical Bearing .....	5707[2]
	Kit .....	TRP1563TAV[2] <sup>19</sup>
<b>2004-1994</b>	B3000 Truck	
	Seal .....	8660S[2]
	Cylindrical Bearing .....	5707[2]
	Kit .....	TRP1563TAV[2] <sup>19</sup>
<b>2004-1994</b>	B4000 Truck	
	Seal .....	8835S[2]
	Cylindrical Bearing .....	6408[2]
	Kit .....	TRP1559TV[2] <sup>19</sup>
<b>2002-2000</b>	MPV (w/o ABS)	
	Hub Assembly .....	513084[2]
<b>2001-1998</b>	B2500 Truck	
	Seal .....	8660S[2]
	Cylindrical Bearing .....	5707[2]
	Kit .....	TRP1563TAV[2] <sup>19</sup>
<b>1998-1996</b>	MPV	
	Ball Bearing .....	511027[2]
<b>1998-1990</b>	MPV (Drum Brks.)	
	Seal (Inner) .....	224820[2]
	Ball Bearing (Inner) .....	307FF[2]
	Seal (Outer) .....	710150[2]
<b>1994-1991</b>	Navajo	
	Seal .....	8835S[2]
	Cylindrical Bearing .....	6408[2]
	Kit .....	TRP1559TV[2] <sup>19</sup>
<b>1993-1990</b>	B2200 Truck	
	Seal (Inner) .....	223550[2]
	Bearing Assembly (Inne .....	30208M[2]
	Seal (Outer) .....	1994[2]
<b>1993-1990</b>	B2600 Truck	
	Seal (Inner) .....	223550[2]
	Bearing Assembly (Inne .....	30208M[2]
	Seal (Outer) .....	1994[2]

### 4WD FRONT AXLE

#### Axle Shaft

<b>2005-2001</b>	Tribute	
	Seal Viton .....	710429[2]

#### Differential Rebuild Kit

<b>2003-1991</b>	(Dana/Spicer 35 axle)	
	Kit .....	DRK335
<b>1997-1994</b>	(Dana/Spicer 28IFS axle)	
	Kit .....	DRK333

#### Differential

<b>2003-1991</b>	(Dana/Spicer 35IFS axle)	
	Cone/Cup .....	LM501349-LM501314[2]
<b>1997-1995</b>	MPV	
	Bearing Assembly .....	32008XM[2]
<b>1997-1994</b>	(Dana/Spicer 24IFS axle)	
	Cone/Cup .....	LM29749-LM29710[2]

### 4WD FRONT AXLE (cont.)

#### Differential (cont.)

<b>1997-1994</b>	(Dana/Spicer 28 axle)	
	Cone/Cup .....	LM29749-LM29710[2]

#### Pinion

<b>2002-1991</b>	(Dana/Spicer 35IFS axle)	
	Cone/Cup (Inner) .....	HM88648-HM88610
	Seal Viton (Outer) .....	714675
	Cone/Cup (Outer) .....	M86649-M86610
<b>1997-1995</b>	MPV	
	Bearing Assembly (Inne .....	32207M
	Seal (Outer) .....	712011
	Bearing Assembly (Outer) .....	32206M
<b>1997-1994</b>	(Dana/Spicer 24IFS axle)	
	Cone/Cup (Inner) .....	M88048-M88010
	Seal (Outer) .....	4244
	Cone/Cup (Outer) .....	M86649-M86610
<b>1997-1994</b>	(Dana/Spicer 28 axle)	
	Cone/Cup (Inner) .....	M88048-M88010
	Seal (Outer) .....	4244
	Cone/Cup (Outer) .....	M86649-M86610

#### Spindle Kit

<b>1998-1991</b>	(Dana/Spicer 35IFS axle)	
	Bearing & Seal Kit .....	SBK4 <sup>36</sup>
<b>1997-1994</b>	(Dana/Spicer 28IFS axle)	
	Bearing & Seal Kit .....	SBK2 <sup>34</sup>

#### Spindle

<b>1997-1993</b>	(Dana/Spicer 28IFS, 35IFS axle)	
	Seal (Inner) .....	710453
	Needle Bearing (Inner) .....	B2110
	Seal (Outer) .....	722108
	Needle Bearing Thrust .....	NTA1625
<b>1996-1994</b>	(Dana/Spicer 28IFS axle)	
	Seal (Inner) .....	8314S
	Needle Bearing (Inner) .....	SCE188
	Seal (Outer) .....	340836
<b>1992-1991</b>	(Dana/Spicer 35IFS axle)	
	Seal (Inner) .....	722108
	Needle Bearing (Inner) .....	B2110
	Seal (Outer) .....	722109
	Needle Bearing Thrust .....	NTA1625

### REAR AXLE

#### Differential Rebuild Kit

<b>2002-1994</b>	Ford (7.5" R.G.)	
	Kit .....	DRK315
<b>2002-1991</b>	Ford (8.8" R.G.)	
	Kit .....	DRK311

<sup>19</sup>Opt. Axle Rpr Brg. Replaces O.E. Brg & Seal Kit Incls, Brg B2110, Seals 722108 & 722109, & Ring

<sup>34</sup>Opt. Kit Incls, Brg SCE148, Seal 8314S

<sup>36</sup>Opt.

# Bearings and Seals

Mfg./Year    Model & Location    Part No    Mfg./Year    Model & Location    Part No

## **MAZDA TRUCK - PICKUP, SUV - B2200, B2300, B2500, B2600, B3000, B4000, MPV, Navajo, Tribute (cont.)**

### **REAR AXLE**

#### **Differential**

<b>2003</b>	Ford (7.5" R.G.)	
Cone/Cup	.....	LM29749-LM29710[2]
<b>2003-1991</b>	Ford (8.8" R.G.)	
Set	.....	SET36[2]
<b>2002-1994</b>	Ford (7.5" R.G.)	
Cone/Cup	.....	LM501349-LM501314[2]
<b>1993-1990</b>	(Exc. Ford axle)	
Bearing Assembly	.....	32008XM[2]

#### **Pinion**

<b>2003-1991</b>	(Ford axle)(7.5", 8.8" R.G.)	
Cone/Cup (Inner)	.....	M802048-M802011
Seal Viton (Outer)	.....	3604
Cone/Cup (Outer)	.....	M88048-M88010
<b>1999-1994</b>	B2600, MPV	
Bearing Assembly (Inne	.....	30307M
Seal (Outer)	.....	712011
Bearing Assembly		
(Outer)	.....	30306M
Kwik Slv (Opt Rpr)	.....	KWK99157
<b>1993-1990</b>	B2600, MPV	
Bearing Assembly (Inne	.....	30307M
Seal (Outer)	.....	712011
Bearing Assembly		
(Outer)	.....	30306M
Kwik Slv (Opt Rpr)	.....	KWK99157
<b>1993-1990</b>	B2000, B2200	
Bearing Assembly (Inne	.....	32307
Seal (Outer)	.....	1216N
Bearing Assembly		
(Outer)	.....	32206M
Kwik Slv (Opt Rpr)	.....	KWK99157

### **TRANSFER CASE REBUILD KIT**

<b>2003-1991</b>	(MPV)	
Kit	.....	TRKFMZ230
<b>1996-1990</b>	Pickup	
Kit	.....	TRKFMZ220

### **TRANSFER CASE**

#### **Input Shaft**

<b>2001-1993</b>	(Warner 1354)	
Seal	.....	710403
Ball Bearing	.....	109L
Needle Bearing Pilot	.....	M18161
<b>1992-1991</b>	(Warner 1354)	
Seal	.....	4143
Ball Bearing	.....	109L
Needle Bearing Pilot	.....	M18161

#### **Front Output Shaft**

<b>2002-1993</b>	(Warner 1354)	
Seal	.....	710403
Ball Bearing	.....	206WB
Kwik Slv (Opt Rpr)	.....	KWK99166

### **TRANSFER CASE (cont.)**

#### **Front Output Shaft (cont.)**

<b>1992-1991</b>	(Warner 1354)	
Seal	.....	4143
Ball Bearing	.....	206WB

#### **Rear Output Shaft**

<b>2002-1993</b>	(Warner 1354)	
Seal	.....	710403
Ball Bearing	.....	206WB
Kwik Slv (Opt Rpr)	.....	KWK99166
Needle Bearing Pilot	.....	JH1612
<b>1992-1991</b>	(Warner 1354)	
Seal	.....	4143
Ball Bearing	.....	206WB
Needle Bearing Pilot	.....	JH1612

#### **Selector Shaft Seal/Man. Shaft**

<b>2002-1991</b>	(Warner 1354)	
Seal	.....	330385

### **TRANSMISSION REBUILD KIT**

<b>2003-1990</b>	B5V	
Kit	.....	TRKFMZ210
<b>2002-1990</b>	(M5R1)	
Kit	.....	TRK247
<b>1993-1990</b>	B2600 pickup	
Kit	.....	TRKFMZ210
<b>1993-1990</b>	B2200 Pickup (5 Spd.)(Dbl. Ball Frt. C/S Brg.)	
Kit	.....	TRKFMZ200
<b>1990</b>	B2200 Pickup (5 Spd.)(Single Ball Frt. C/S Brg.)	
Kit	.....	TRKFMZ120

### **4-SPEED AUTOMATIC TRANSMISSION**

#### **Torque Converter**

<b>1999-1990</b>	(Jatco R4AEL)	
Seal	.....	224663
Kwik Slv (Opt Rpr)	.....	KWK99181
<b>1997-1991</b>	(A4LD)	
Seal	.....	2658
<b>1995-1990</b>	(Jatco N4A, L4N71B)	
Seal Viton	.....	2025
Kwik Slv (Opt Rpr)	.....	KWK99166

#### **Rear Seal/Ext. Housing**

<b>2002-1991</b>	(4R44E, A4LD)	
Seal	.....	2655

#### **Selector Shaft Seal/Man. Shaft**

<b>2002-1991</b>	(4R44E, A4LD)	
Seal	.....	7929S

Mfg./Year	Model & Location	Part No	Mfg./Year	Model & Location	Part No
<b>MAZDA TRUCK - PICKUP, SUV - B2200, B2300, B2500, B2600, B3000, B4000, MPV, Navajo, Tribute (cont.)</b>					

**5-SPEED AUTOMATIC TRANSMISSION**  
**Rear Seal/Ext. Housing**

2002-1997	(Ford 5R55E)	
Seal		2655

**Selector Shaft Seal/Man. Shaft**

2002-1997	(Ford 5R55E)	
Seal		7929S

**CLUTCH**  
**Pilot Bearing**

2002-1994	4 Cyl. 2.0L, 2.3L, 2.5L	
Needle Bearing		FC65354
2002-1994	6 Cyl. 3.0	
Needle Bearing		FC65354
2002-1991	6 Cyl. 4.0	
Needle Bearing		F33126
1991-1990	6 Cyl. 3.0	
Ball Bearing		202SS

**Release Bearing**

1998	B2500 truck (Hyd. Mechanism)	
Bearing Assembly		614169
1998-1994	B3000 truck (Hyd. Mechanism)	
Bearing Assembly		614169
1998-1993	B4000 truck (Hyd. Mechanism)	
Bearing Assembly		614169
1995-1994	B2300 truck (Hyd. Mechanism)	
Bearing Assembly		614169
1993-1990	B2600 truck	
Bearing Assembly		614079
1993-1990	B2200 truck	
Bearing Assembly		614079

**5-SPEED MANUAL TRANSMISSION**  
**Front Input Shaft**

2002-1994	(M5R1)	
Seal		1990
Kwik Slv (Opt Rpr)		KWK99106
1993-1990	(5HC)	
Seal		1990
Ball Bearing		108A
Kwik Slv (Opt Rpr)		KWK99106
1993-1990	(5E, 5TB)	
Seal		1990
Ball Bearing		306L
Kwik Slv (Opt Rpr)		KWK99106

**Countershaft**

1993-1990	(5HC)	
Ball Bearing (Frt)		5205KLE
1993-1990	(5E, 5TB)	
Ball Bearing (Frt)		5205KLE
Ball Bearing (Rr)		304WB

**5-SPEED MANUAL TRANSMISSION**  
**Intermediate Shaft**

1993-1990	(5E, 5TB)	
Ball Bearing		306L

**Rear Output Shaft**

2002-1994	(M5R1)(2WD)	
Seal		7692S
2002-1994	(M5R1)(4WD)	
Seal		1981
1993-1990	(5D)	
Seal		2443
Ball Bearing		305AG

**5-SPEED AUTOMATIC TRANSAXLE**

**Output Shaft**

2002-2001	(C4DE)	
Seal (LH)		3622S
Kwik Slv (Opt Rpr)		KWK99169

**5-SPEED MANUAL TRANSAXLE**

**Input Shaft**

2002-2001	(G5M)	
Seal		1990
Set		SET32
Kwik Slv (Opt Rpr)		KWK99106

**Output Shaft**

2002-2001	(G5M)	
Seal		2007N[2]
Kwik Slv (Opt Rpr)		KWK99139

**ALTERNATOR**

1993-1990	Exc. Navajo	
Ball Bearing (Drive End)		303CC

**DRIVESHAFT SUPPORT**

1995-1990	(.9843" Brg. I.D.)	
Ball Bearing		205F
1994	B2300	
Hanger Brg Assy		HBD206FF
1994	B3000	
Hanger Brg Assy		HBD206FF
1994	B4000	
Hanger Brg Assy		HBD206FF

**POWER STEERING**

**Input Shaft**

2002-1995	B2300, B3000, B4000	
Seal		471645
Needle Bearing		FC65753

# Bearings and Seals

Mfg./Year    Model & Location    Part No    Mfg./Year    Model & Location    Part No

## **MAZDA TRUCK - PICKUP, SUV - B2200, B2300, B2500, B2600, B3000, B4000, MPV, Navajo, Tribute (cont.)**

### **POWER STEERING**

#### **Pump Shaft**

2002    B2300  
Seal .....8773S  
2002    B3000, B4000 (Ford Pump)  
Seal .....8773S

### **MANUAL STEERING**

#### **Sector Shaft**

1995-1994    B2300  
Seal .....223010

#### **Worm Shaft**

1995-1994    B2300  
Seal .....221922

### **CRANKSHAFT FRONT SEAL**

#### **4 Cylinder**

2003-2001    121/2.0L (DOHC), 140/2.3L (DOHC)  
Seal .....3771  
Kwik Slv (Opt Rpr) .....KWK99139  
2001-1994    140/2.3L, 150/2.5L  
Seal .....2955  
1995-1990    2606cc/2.6L  
Seal .....224460  
Kwik Slv (Opt Rpr) .....KWK99181  
1993-1990    1998cc/2.0L, 2184cc/2.2L  
Seal .....223420

#### **6 Cylinder**

2002-2001    155/2.5L (DOHC), 181/3.0L (DOHC)  
Seal .....482041N  
Kwik Slv (Opt Rpr) .....KWK99187  
2002-1994    2954/3.0L  
Seal (Frt Entry) .....2692  
Seal (Rr Entry) .....2942  
Kwik Slv (Opt Rpr) .....KWK99187  
2002-1991    244/4.0L  
Seal .....473560N  
Kwik Slv (Opt Rpr) .....KWK99166

### **CRANKSHAFT FRONT SEAL (cont.)**

#### **6 Cylinder (cont.)**

1993-1990    2954cc/3.0L  
Seal .....224660  
Kwik Slv (Opt Rpr) .....KWK99181

### **CRANKSHAFT REAR SEAL**

#### **4 Cylinder**

2003-2001    121/2.0L (DOHC), 140/2.3L (DOHC)  
Seal .....3772  
Seal PTFE H/D Opt .....5287  
2001-1994    2300/2.3L, 2500/2.5L  
Seal Viton .....3909  
Seal PTFE H/D Opt .....5277  
Kwik Slv (Opt Rpr) .....KWK99363  
1998-1990    2555cc/2.6L  
Seal Viton .....228005  
Kwik Slv (Opt Rpr) .....KWK99315  
1995-1990    1998cc/2.0L, 2184cc/2.2L, 2606cc/2.6L  
Seal .....229010  
Kwik Slv (Opt Rpr) .....KWK99354

#### **6 Cylinder**

2003-1991    4000/4.0L  
Seal Viton .....3393  
Seal PTFE H/D Opt .....5288  
Kwik Slv (Opt Rpr) .....KWK99237  
2002-2001    155/2.5L (DOHC), 181/3.0L (DOHC)  
Seal Viton .....3909  
Seal PTFE H/D Opt .....5277  
Kwik Slv (Opt Rpr) .....KWK99363  
2002-1994    2954/3.0L  
Seal .....3772  
1993-1990    2954cc/3.0L  
Seal .....1019S  
Kwik Slv (Opt Rpr) .....KWK99298

## **MERCEDES BENZ**

### **FRONT WHEEL**

2003-2002    300 Ser. CLK320  
Set (Inner) .....SET17[2]  
Set (Outer) .....SET12[2]  
2003-1999    400 Ser. CLK430  
Set (Inner) .....SET17[2]  
Set (Outer) .....SET12[2]  
2003-1994    200 Ser.  
Set (Inner) .....SET17[2]  
Set (Outer) .....SET12[2]

### **FRONT WHEEL (cont.)**

2001-1998    300 Ser. CLK320  
Set (Inner) .....SET17[2]  
Set (Outer) .....SET2[2]  
1999-1998    500 Ser. CL500  
Cone/Cup (Inner) .....XAA32008X-Y32008X[2]  
Bearing Assembly  
(Outer) .....33205[2]

Mfg./Year	Model & Location	Part No	Mfg./Year	Model & Location	Part No
-----------	------------------	---------	-----------	------------------	---------

**MERCEDES BENZ (cont.)**

**FRONT WHEEL (cont.)**

<b>1999-1992</b>	300 Ser. S320, S350, 300SD, 300SE, 300SEL	
	Cone/Cup (Inner) .....XAA32008X-Y32008X[2]	
	Bearing Assembly	
	(Outer) .....33205[2]	
<b>1999-1992</b>	500 Ser. S500, 500SEC, 500SEL	
	Cone/Cup (Inner) .....XAA32008X-Y32008X[2]	
	Bearing Assembly	
	(Outer) .....33205[2]	
<b>1999-1992</b>	600 Ser. CL600, S600, 600SEL	
	Cone/Cup (Inner) .....XAA32008X-Y32008X[2]	
	Bearing Assembly	
	(Outer) .....33205[2]	
<b>1997-1993</b>	600 Ser. SL600, 600SL	
	Set (Inner) ..... SET17[2]	
	Set (Outer) ..... SET12[2]	
<b>1997-1992</b>	400 Ser. S420, 400SE, 400SEL	
	Cone/Cup (Inner) .....XAA32008X-Y32008X[2]	
	Bearing Assembly	
	(Outer) .....33205[2]	
<b>1997-1990</b>	300 Ser. C36, SL320, 300SL	
	Set (Inner) ..... SET17[2]	
	Set (Outer) ..... SET12[2]	
<b>1997-1990</b>	500 Ser. E500, SL500, 500E, 500SL	
	Set (Inner) ..... SET17[2]	
	Set (Outer) ..... SET12[2]	
<b>1995-1993</b>	300 Ser. 300D, E, TE, 300CE Sedan, E320, E300D	
	Seal (Inner) .....239134[2]	
	Set (Inner) ..... SET6[2]	
	Set (Outer) ..... SET2[2]	
<b>1995-1993</b>	300 Ser. E320, 300CE Convertible	
	Set (Inner) ..... SET17[2]	
	Set (Outer) ..... SET12[2]	
<b>1995-1992</b>	400 Ser. 400E, E420	
	Set (Inner) ..... SET17[2]	
	Set (Outer) ..... SET12[2]	
<b>1993-1990</b>	100 Ser. (w/o 2.3L 16 Valve)	
	Seal (Inner) .....239134[2]	
	Set (Inner) ..... SET6[2]	
	Set (Outer) ..... SET1[2]	
<b>1992-1990</b>	300 Ser. 300CE, D, E, TD, TE	
	Seal (Inner) .....239134[2]	
	Set (Inner) ..... SET6[2]	
	Set (Outer) ..... SET2[2]	
<b>1991-1990</b>	400 Ser.	
	Seal (Inner) .....1960[2]	
	Set (Inner) ..... SET5[2]	
	Set (Outer) ..... SET3[2]	
<b>1991-1990</b>	500 Ser. 560SEC, SEL	
	Set (Inner) ..... SET5[2]	
	Set (Outer) ..... SET3[2]	
<b>1991-1990</b>	300 Ser. 300CDT, SD, SDL, SE, SEL, 350SDL	
	Seal (Inner) .....1960[2]	
	Set (Inner) ..... SET5[2]	
	Set (Outer) ..... SET3[2]	

**REAR WHEEL**

<b>2003-2002</b>	300 Ser. CLK320	
	Ball Bearing .....513130[2]	
<b>2003-1999</b>	400 Ser. CLK430	
	Ball Bearing .....513130[2]	
<b>2003-1994</b>	200 Ser. C220, C240, C280	
	Hub Assembly .....513030[2]	
<b>2001-1992</b>	300 Ser. (Exc. Convertible)	
	Ball Bearing .....513130[2]	
<b>1998-1993</b>	600 Ser. SL600, 600SL	
	Ball Bearing .....513130[2]	
<b>1997-1992</b>	400 Ser.	
	Ball Bearing .....513130[2]	
<b>1997-1990</b>	500 Ser. E500, SL500, 500E, SL	
	Ball Bearing .....513130[2]	
<b>1993-1990</b>	100 Ser.	
	Ball Bearing .....513130[2]	
<b>1991-1990</b>	300 Ser. 300CE, 300D, 300E, 300SL, 300TD, 300TE, 350SDL	
	Bearing Assembly .....JXC25469C[2]	
<b>1991-1990</b>	300 Ser. 300SDL, 300SE, 300SEL	
	Seal (Inner) .....1174S[2]	
	Cone/Cup (Inner) ..... LM300849-LM300811[2]	
	Cone/Cup (Outer) ..... LM503349A-LM503310[2]	
<b>1991-1990</b>	400 Ser.	
	Seal (Inner) .....1174S[2]	
	Cone/Cup (Inner) ..... LM300849-LM300811[2]	
	Cone/Cup (Outer) ..... LM503349A-LM503310[2]	
<b>1991-1990</b>	500 Ser. 500SEC, SEL, 560SEC, SEL, SL	
	Seal (Inner) .....1174S[2]	
	Cone/Cup (Inner) ..... LM300849-LM300811[2]	
	Cone/Cup (Outer) ..... LM503349A-LM503310[2]	

**REAR AXLE**

**Differential**

<b>1997-1992</b>	600 Ser.	
	Cone/Cup .....387AS-382A[2]	
<b>1997-1990</b>	500 Ser.	
	Cone/Cup .....387AS-382A[2]	
<b>1993-1992</b>	400SEL, 400SE	
	Cone/Cup .....387AS-382A[2]	
<b>1993-1990</b>	400E, 420SEL	
	Cone/Cup ..... LM806649-LM806610[2]	
<b>1993-1990</b>	500 Ser.	
	Cone/Cup ..... LM806649-LM806610[2]	

**Pinion**

<b>1997-1992</b>	600 Ser.	
	Cone/Cup (Inner) ..... HM803149-HM803110	
	Cone/Cup (Outer) ..... HM88649-HM88610	
<b>1997-1990</b>	500 Ser.	
	Cone/Cup (Inner) ..... HM803149-HM803110	
	Cone/Cup (Outer) ..... HM88649-HM88610	
<b>1993-1992</b>	400SEL, 400SE	
	Cone/Cup (Inner) ..... HM803149-HM803110	
	Cone/Cup (Outer) ..... HM88649-HM88610	

# Bearings and Seals

Mfg./Year	Model & Location	Part No	Mfg./Year	Model & Location	Part No
-----------	------------------	---------	-----------	------------------	---------

## MERCEDES BENZ (cont.)

### REAR AXLE (cont.)

#### Pinion (cont.)

1993-1990	400E, 420SEL	
	Cone/Cup (Inner)	M802048-M802011
	Cone/Cup (Outer)	M86649-M86610
1993-1990	190 Ser.	
	Cone/Cup (Inner)	HM88649-HM88610
	Cone/Cup (Outer)	M84548-M84510

### CLUTCH

#### Release Bearing

1991-1990	260E	
	Bearing Assembly	614125
1991-1990	190 Ser.	
	Bearing Assembly	614125
1991-1990	300 Ser.	
	Bearing Assembly	614125
1991-1990	280SE, (W126 Ch.)	
	Bearing Assembly	614125
1990	240D, TD	
	Bearing Assembly	614125

### ALTERNATOR

1992-1990	(Bosch 90 Amp.)	
	Ball Bearing (Drive End)	303CC
1992-1990	(Bosch 55 Amp.)	
	Ball Bearing (Drive End)	303CC
	Ball Bearing (Rear End)	201S
1992-1990	(Bosch 65 Amp.)	
	Ball Bearing (Drive End)	303CC
	Ball Bearing (Rear End)	201CC
1992-1990	(Bosch 70 Amp.)	
	Ball Bearing (Drive End)	303CC
	Ball Bearing (Rear End)	201CC
1992-1990	(Motorola 55 Amp.)	
	Ball Bearing (Drive End)	203FF
1990	(Bosch 80 Amp.)	
	Ball Bearing (Drive End)	303CC

### CRANKSHAFT FRONT SEAL

#### 4 Cylinder

2004-2003	1796cc./1.8L	
	Seal	710289
	Kwik Slv (Opt Rpr)	KWK99177
2003-1994	2199cc/2.2L, 2295cc/2.3L	
	Seal	710289
	Kwik Slv (Opt Rpr)	KWK99177
1993-1991	2298cc/2.3L	
	Seal	710289
	Kwik Slv (Opt Rpr)	KWK99177

#### 6 Cylinder

1994-1990	2599cc/2.6L, 2797cc/2.8L, 2962cc/3.0L, 2997cc/3.0L, 3199cc/3.2L	
	Seal	710289
	Kwik Slv (Opt Rpr)	KWK99177

### CRANKSHAFT FRONT SEAL

#### 8 Cylinder

2001-1990	4196cc/4.2L(DOHC), 4973/5.0L(DOHC)	
	Seal	710289
	Kwik Slv (Opt Rpr)	KWK99177

#### 12 Cylinder

1994-1992	5987cc/6.0L	
	Seal	710289
	Kwik Slv (Opt Rpr)	KWK99177

### CRANKSHAFT REAR SEAL

#### 4 Cylinder

2003-1994	1796cc/1.8L, 2197cc/2.2L, 2295cc/2.3L	
	Seal	710288

#### 6 Cylinder

1999-1990	2599cc/2.6L, 2797cc/2.8L, 2962cc/3.0L, 2997cc/3.0L, 3199cc/3.2L	
	Seal	710288

#### 8 Cylinder

1999-1995	4196cc/4.2L(DOHC), 4973/5.0L(DOHC)	
	Seal Viton	710290
	Kwik Slv (Opt Rpr)	KWK99393

#### 12 Cylinder

1999-1992	5987cc/6.0L	
	Seal	710288

Mfg./Year	Model & Location	Part No	Mfg./Year	Model & Location	Part No
-----------	------------------	---------	-----------	------------------	---------

**MERCEDES BENZ TRUCK - L, LP, LPK, LPS, LS, Series**

**FRONT WHEEL**

<b>1991-1990</b>	L1319, VL 4/3 6	
	Bearing Assembly (Inne .....	33214[2]
	Bearing Assembly (Outer) .....	32309M[2]
<b>1991-1990</b>	LP1219, HL 4/16 7	
	Cone/Cup (Inner) .....	580-572[2]
<b>1991-1990</b>	LP1219, L1319, HL5/1 10	
	Seal (Inner) .....	231204[2]
	Cone/Cup (Inner) .....	598-592A[2]
	Bearing Assembly (Outer) .....	32215[2]
<b>1991-1990</b>	LP1219, LP1419, HL4/8 10	
	Bearing Assembly (Inne .....	33019[2]
	Bearing Assembly (Outer) .....	33215[2]
<b>1991-1990</b>	LP1419, VL 3/8D 6	
	Bearing Assembly (Inne .....	33214[2]
	Bearing Assembly (Outer) .....	33210[2]
<b>1991-1990</b>	L1117, HL 4/28 7	
	Cone/Cup (Inner) .....	580-572[2]
<b>1991-1990</b>	L1117, VL 2/11 3	
	Bearing Assembly (Inne .....	33211[2]
<b>1991-1990</b>	L1117, VL 3/11D 4	
	Seal (Inner) .....	231002[2]
	Bearing Assembly (Inne .....	33213M[2]
	Bearing Assembly (Outer) .....	33208[2]
<b>1991-1990</b>	LP1219, L1317, L1319, LP1419, HL 4/17 9	
	Bearing Assembly (Inne .....	33217[2]

**FRONT WHEEL (cont.)**

<b>1991-1990</b>	L1013, L1113, L1317, L1319, L1418, LS1418, VL 3/4 5	
	Seal (Inner) .....	417967[2]
	Cone/Cup (Inner) .....	559-552A[2]
	Bearing Assembly (Outer) .....	32307[2]
<b>1991-1990</b>	L1317, L1319, L1418, LS1418, HL 4/8 10	
	Seal (Inner) .....	231204[2]
	Bearing Assembly (Inne .....	33019[2]
	Bearing Assembly (Outer) .....	33215[2]
<b>1991-1990</b>	LP1219, L1319, L1418, LS1418, LP1419, VL 3/7D 5	
	Seal (Inner) .....	231002[2]
	Bearing Assembly (Inne .....	33213M[2]
	Bearing Assembly (Outer) .....	33208[2]

**CLUTCH**

**Pilot Bearing**

<b>1991-1990</b>	6 Cyl. 6.0 (Turbo Diesel)	
	Ball Bearing .....	205FF

**Release Bearing**

<b>1991-1990</b>	6 Cyl. 6.0 (Turbo Diesel)(350mm Cl.)	
	Bearing Assembly .....	614113
<b>1991-1990</b>	5 Cyl. 10.0 (Turbo Diesel)	
	Bearing Assembly .....	614113
<b>1991-1990</b>	6 Cyl. 6.0 (Turbo Diesel)(330mm Cl.)	
	Bearing Assembly .....	614112

**MERCURY - FRONT DRIVE - Capri**

**FRONT WHEEL**

<b>1994-1991</b>		
	Seal (Inner) .....	4990[2]
	Seal (Outer) .....	710323[2]
	Set .....	SET11[2]

**REAR WHEEL**

<b>1994-1991</b>		
	Seal (Inner) .....	1213N[2]
	Set (Inner) .....	SET8[2]
	Set (Outer) .....	SET2[2]

**CLUTCH**

**Pilot Bearing**

<b>1994-1991</b>		
	Ball Bearing .....	202SS

**CLUTCH**

**Release Bearing**

<b>1994-1991</b>	(Turbo)	
	Bearing Assembly .....	614079
<b>1994-1991</b>	(w/o Turbo)	
	Bearing Assembly .....	614128

**4-SPEED AUTOMATIC TRANSAXLE**

**Differential**

<b>1992-1991</b>	(4HAT G)	
	Bearing Assembly .....	32009XM[2]

**Torque Converter**

<b>1992-1991</b>	(4HAT G)	
	Seal .....	710446



# Bearings and Seals

Mfg./Year    Model & Location    Part No    Mfg./Year    Model & Location    Part No

## **MERCURY - FRONT DRIVE - Capri (cont.)**

### **4-SPEED AUTOMATIC TRANSAXLE**

#### **Output Shaft**

1992-1991 (4HAT G)  
 Seal (LH) ..... 223543  
 Seal (RH) ..... 2007N  
 Kwik Slv (Opt Rpr) .....KWK99139[2]

### **5-SPEED MANUAL TRANSAXLE**

#### **Input Shaft**

1994-1991 (Turbo)  
 Seal (Outer) ..... 1990  
 Set (Outer) ..... SET32  
 Kwik Slv (Opt Rpr) .....KWK99106  
 1994-1991 (w/o Turbo)  
 Seal ..... 222430  
 Kwik Slv (Opt Rpr) .....KWK99098

#### **Output Shaft**

1994-1991  
 Seal (LH) ..... 223543  
 Seal (RH) ..... 2007N  
 Kwik Slv (Opt Rpr) .....KWK99139[2]

### **ALTERNATOR**

1994-1991 (Bosch 85 Amp.)  
 Ball Bearing (Drive End) .....303CC  
 1994-1991 (Bosch 85 Amp.)  
 Ball Bearing (Rear End) ..... 201S  
 1994-1991 Mitsubishi 70 Amp.  
 Ball Bearing (Drive End) .....303CC

### **CAMSHAFT SEAL**

#### **4 Cylinder**

1994-1991 1597cc/1.6L  
 Seal .....223420[2]

### **CRANKSHAFT FRONT SEAL**

#### **4 Cylinder**

1994-1991 1597cc/1.6L, (From 12/1/90)  
 Seal .....710355  
 1991 1597cc/1.6L, (Thru 12/1/90)  
 Seal .....223012  
 Kwik Slv (Opt Rpr) .....KWK99114

### **CRANKSHAFT REAR SEAL**

#### **4 Cylinder**

1994-1991 1597cc/1.6L, (From 12/1/90)  
 Seal .....228250  
 Kwik Slv (Opt Rpr) .....KWK99328

## **MERCURY - FRONT DRIVE - Cougar**

### **FRONT WHEEL**

2002-1999  
 Ball Bearing ..... 510029[2]

### **REAR WHEEL**

2002-1999  
 Hub Assembly .....512024[2]

### **5-SPEED AUTOMATIC TRANSAXLE**

#### **Output Shaft**

2002-1999  
 Seal .....3622S[2]  
 Kwik Slv (Opt Rpr) .....KWK99169[2]

### **CAMSHAFT SEAL**

#### **4 Cylinder**

2002-1999 121/2.0/L (DOHC)  
 Seal .....3774S  
 Kwik Slv (Opt Rpr) .....KWK99169

### **CRANKSHAFT FRONT SEAL**

#### **6 Cylinder**

2002-1999 155/2.5L  
 Seal Viton ..... 3909  
 Seal PTFE H/D Opt ..... 5277  
 Kwik Slv (Opt Rpr) .....KWK99363

#### **4 Cylinder**

2002-1999 121/2.0/L (DOHC)  
 Seal ..... 3771  
 Kwik Slv (Opt Rpr) .....KWK99139

#### **6 Cylinder**

2002-1999 155/2.5L  
 Seal .....482041N  
 Kwik Slv (Opt Rpr) .....KWK99187

### **CRANKSHAFT REAR SEAL**

#### **4 Cylinder**

2002-1999 121/2.0/L (DOHC)  
 Seal .....3772  
 Seal PTFE H/D Opt ..... 5287

Mfg./Year	Model & Location	Part No	Mfg./Year	Model & Location	Part No
-----------	------------------	---------	-----------	------------------	---------

## MERCURY - FRONT DRIVE - Mystique

### FRONT WHEEL

2000-1995	Ball Bearing .....	510029[2]
-----------	--------------------	-----------

### REAR WHEEL

2000-1995	Hub Assembly .....	512024[2]
-----------	--------------------	-----------

### CLUTCH

#### Release Bearing

2000-1995	Bearing Assembly .....	614128
-----------	------------------------	--------

### 4-SPEED AUTOMATIC TRANSAXLE

#### Differential

2000-1995	(4EAT F)	
	Set .....	SET17[2]
2000-1995	(AX4, AXOD)	
	Ball Bearing .....	208[2]
1997-1995	(4EAT G)	
	Bearing Assembly .....	32008XM[2]

#### Torque Converter

2000-1995	(4EAT G, 4HAT G)	
	Seal .....	710446
2000-1995	(AX4, AXOD)	
	Seal .....	4189H

#### Output Shaft

2000-1995	(4EAT G, 4HAT G)	
	Seal (LH) .....	223543
	Seal (RH) .....	2007N
	Kwik Slv (Opt Rpr) .....	KWK99139[2]
2000-1995	(AX4, AXOD)	
	Seal .....	3622S[2]
	Kwik Slv (Opt Rpr) .....	KWK99169[2]

### 5-SPEED MANUAL TRANSAXLE

#### Differential

2000-1995	(Mazda F52)	
	Set .....	SET17[2]

#### Input Shaft

2000-1995	(Mazda F52)	
	Seal .....	222430
	Kwik Slv (Opt Rpr) .....	KWK99098

### 5-SPEED MANUAL TRANSAXLE

#### Output Shaft

2000-1995	(Mazda F52)	
	Seal (LH) .....	223543
	Seal (RH) .....	2007N
	Kwik Slv (Opt Rpr) .....	KWK99139[2]

#### Selector Shaft Seal/Man. Shaft

2000-1995	Seal .....	221620
-----------	------------	--------

### CAMSHAFT SEAL

#### 4 Cylinder

2000-1995	121/2.0/L	
	Seal .....	3774S
	Kwik Slv (Opt Rpr) .....	KWK99169

### CRANKSHAFT FRONT SEAL

#### 4 Cylinder

2000-1995	121/2.0/L	
	Seal .....	3771
	Kwik Slv (Opt Rpr) .....	KWK99139

#### 6 Cylinder

2000-1995	2540cc/2.5L (DOHC)	
	Seal .....	482041N
	Kwik Slv (Opt Rpr) .....	KWK99187
	Harmonic Balancer Slv .....	88187

### CRANKSHAFT REAR SEAL

#### 4 Cylinder

2000-1995	121/2.0/L	
	Seal .....	3772
	Seal PTFE H/D Opt .....	5287

#### 6 Cylinder

2000-1995	2540cc/2.5L (DOHC)	
	Seal Viton .....	3909
	Kwik Slv (Opt Rpr) .....	KWK99363
	Seal PTFE H/D Opt .....	5277

## MERCURY - FRONT DRIVE - Sable

### FRONT WHEEL

2005-1996	Hub Assembly .....	513100[2]
1995-1991	(From 2/1991)	
	Set .....	SET49[2]
	Hub Assembly Opt .....	520100[2]

### FRONT WHEEL (cont.)

1991-1990	(Thru 1/1991)	
	Set .....	SET49[2]
	Hub Assembly Opt .....	520000[2]

# Bearings and Seals

Mfg./Year	Model & Location	Part No	Mfg./Year	Model & Location	Part No
-----------	------------------	---------	-----------	------------------	---------

## MERCURY - FRONT DRIVE - Sable (cont.)

### REAR WHEEL

2005 (Disc Brks.)(ABS)	
Hub Assembly .....	HA590038[2] <sup>25</sup>
2005-2001 (ABS)(Drum Brks.)	
Hub Assembly .....	512163[2]
2005-2001 (w/o ABS)(Drum Brks.)	
Hub Assembly .....	512164[2]
2004-1993 (Disc Brks.)	
Hub Assembly .....	512107[2]
2000 (ABS)(Drum Brks.)	
Hub Assembly .....	512162[2]
2000 (w/o ABS)(Drum Brks.)	
Hub Assembly .....	512106[2]
1999-1990 (w/o ABS)(Drum Brks.)	
Hub Assembly .....	512106[2]
1992-1990 (Disc Brks.)	
Hub Assembly .....	512105[2] <sup>16</sup>

### CLUTCH

#### Pilot Bearing

1993-1990	
Ball Bearing .....	202SS

#### Release Bearing

1993-1990	
Bearing Assembly .....	614060
Bearing Assembly Opt	
Brg. & Sleeve Kit .....	614118

### 4-SPEED AUTOMATIC TRANSAXLE

#### Differential

2002-1990 (AX4, AXOD)	
Ball Bearing .....	208[2]

#### Torque Convertor

2002-1990 (AX4, AXOD)	
Seal .....	4189H

### 4-SPEED AUTOMATIC TRANSAXLE

#### Output Shaft

2002-1990 (AX4, AXOD)	
Seal .....	3622S[2]
Kwik Slv (Opt Rpr) .....	KWK99169[2]

### ALTERNATOR

1991-1990 (Motorcraft)	
Ball Bearing (Drive End) .....	203FF
1991-1990 (Motorcraft)	
Ball Bearing (Rear End) .....	MNJ471S

### CRANKSHAFT FRONT SEAL

#### 6 Cylinder

2002-1996 182/3.0L (DOHC)	
Seal .....	482041N
Kwik Slv (Opt Rpr) .....	KWK99187
2002-1990 182/3.0L OHV	
Seal (Fr Entry) .....	2692
Seal (Rr Entry) .....	2942
Kwik Slv (Opt Rpr) .....	KWK99187
Harmonic Balancer Slv .....	88187
1995-1990 232/3.8L	
Seal (Fr Entry) .....	2692
Seal (Rr Entry) .....	2942
Kwik Slv (Opt Rpr) .....	KWK99187
Harmonic Balancer Slv .....	88187

### CRANKSHAFT REAR SEAL

#### 6 Cylinder

2003-1996 182/3.0L (DOHC)	
Seal Viton .....	3909
Seal PTFE H/D Opt .....	5277
Kwik Slv (Opt Rpr) .....	KWK99363
2003-1990 182/3.0L OHV	
Seal .....	3772
Seal PTFE H/D Opt .....	5287
1995-1990 232/3.8L	
Seal Viton .....	3909
Seal PTFE H/D Opt .....	5277
Kwik Slv (Opt Rpr) .....	KWK99363

## MERCURY - FRONT DRIVE - Tracer

### FRONT WHEEL

1999-1991	
Seal .....	1932S[2]
Ball Bearing .....	510013[2]
1990	
Seal (Inner) .....	225220[2]
Seal (Outer) .....	710323[2]
Set .....	SET11[2]

### REAR WHEEL

1999-1994 (Disc Brks.)	
Hub Assembly .....	512161[2]
1999-1994 (Drum Brks.)	
Hub Assembly .....	513030[2]

### REAR WHEEL (cont.)

1993-1991	
Hub Assembly .....	513030[2]
1990 (Sedan)	
Seal (Inner) .....	710311[2]
Set (Inner) .....	SET8[2]
Set (Outer) .....	SET2[2]
1990 (Wagon)	
Seal (Inner) .....	1973[2]
Cone/Cup (Inner) .....	15123-15245[2]
Set (Outer) .....	SET2[2]

**CLUTCH - 4 CYLINDER**

**Pilot Bearing**

1999-1997	1998cc/2.0L	
	Needle Bearing .....	FC65354
1996-1991	113/1.8L (DOHC)	
	Ball Bearing .....	202SS
1996-1991	116/1.9L	
	Needle Bearing .....	FC65354

**CLUTCH**

**Release Bearing**

1999-1997	1998cc/2.0L	
	Bearing Assembly .....	614155
1996-1991	113/1.8L (DOHC)	
	Bearing Assembly .....	614079
1996-1991	116/1.9L	
	Bearing Assembly .....	614128

**4-SPEED AUTOMATIC TRANSAXLE**

**Differential**

1999-1991	(AX4, AXOD)	
	Ball Bearing .....	208[2]

**Torque Convertor**

1999-1991	(AX4, AXOD)	
	Seal .....	4189H

**Output Shaft**

1999-1991	(AX4, AXOD)	
	Seal .....	3622S[2]
	Kwik Slv (Opt Rpr) .....	KWK99169[2]

**5-SPEED MANUAL TRANSAXLE**

**Differential**

1999-1991	(Mazda F52)	
	Set .....	SET17[2]
1994-1990	(MTX III)	
	Set .....	SET45[2]

**Input Shaft**

1999-1991	(Mazda F52)	
	Seal .....	222430
	Kwik Slv (Opt Rpr) .....	KWK99098
1994-1990	(MTX III)	
	Seal .....	3638
	Cone/Cup .....	LM67049A-LM67010[2]
	Kwik Slv (Opt Rpr) .....	KWK99112

**Output Shaft**

1999-1991	(Mazda F52)	
	Seal (LH) .....	223543
	Seal (RH) .....	2007N
	Kwik Slv (Opt Rpr) .....	KWK99139[2]
1994-1990	(MTX III)	
	Seal .....	3622S[2]
	Set .....	SET30[2]
	Kwik Slv (Opt Rpr) .....	KWK99169[2]

**Selector Shaft Seal/Man. Shaft**

1994-1990	(MTX III)	
	Seal Viton .....	710274

**ALTERNATOR**

1991-1990	(Motorcraft)	
	Ball Bearing (Drive End) .....	203FF
1991-1990	(Motorcraft)	
	Ball Bearing (Rear End) .....	MNJ471S

**CAMSHAFT SEAL**

**4 Cylinder**

1999-1991	116/1.9L, 122/2.0L	
	Seal .....	3774S
	Kwik Slv (Opt Rpr) .....	KWK99169
1996-1991	1839cc/1.8L	
	Seal .....	223420

**CRANKSHAFT FRONT SEAL**

**4 Cylinder**

1996-1991	116/1.9L, 122/2.0L	
	Seal .....	3771
	Kwik Slv (Opt Rpr) .....	KWK99139
1996-1991	1839cc/1.8L	
	Seal .....	710355
	Kwik Slv (Opt Rpr) .....	KWK99145

**CRANKSHAFT REAR SEAL**

**4 Cylinder**

1999-1991	116/1.9L, 122/2.0L	
	Seal .....	3772
	Seal PTFE H/D Opt .....	5287
1996-1991	1839cc/1.8L	
	Seal .....	228250
	Kwik Slv (Opt Rpr) .....	KWK99328

# Bearings and Seals

Mfg./Year	Model & Location	Part No	Mfg./Year	Model & Location	Part No
-----------	------------------	---------	-----------	------------------	---------

## MERCURY - FRONT DRIVE, AWD - Montego

### FRONT WHEEL

2005 (ABS)  
Hub Assembly ..... HA590028[2]<sup>25</sup>

### 4WD/AWD

2005 (ABS)  
Hub Assembly ..... HA590029[2]<sup>25</sup>

## MERCURY - FRONT DRIVE, AWD - Topaz

### FRONT WHEEL

1994-1990  
Set ..... SET39[2]  
Hub Assembly ..... 518503[2]<sup>62</sup>

### REAR WHEEL

1994-1990 (w/o AWD)  
Seal (Inner) ..... 473677[2]  
Set (Inner) ..... SET8[2]  
Set (Outer) ..... SET12[2]  
1991-1990 Topaz (AWD)  
Bearing Assembly ..... 513001[2]

### TRANSFER CASE

#### Input Shaft

1991-1990 (Spicer)  
Set ..... SET2[2]  
Ball Bearing Pilot ..... 206WB

#### Front Output Shaft

1991-1990 (Spicer)  
Cone/Cup ..... M86647-M86610

#### Rear Output Shaft

1991-1990 (Spicer)  
Cone/Cup ..... M86649-M86610  
Needle Bearing Pilot ..... SCH78

### CLUTCH

#### Release Bearing

1994-1990  
Bearing Assembly ..... 614060  
Bearing Assembly Opt  
Brg. & Sleeve Kit ..... 614118

### 3-SPEED AUTOMATIC TRANSAXLE

#### Torque Converter

1994-1990 (ATX)  
Seal ..... 4539H  
Kwik Slv (Opt Rpr) ..... KWK99235

### 3-SPEED AUTOMATIC TRANSAXLE

#### Output Shaft

1992-1990 (ATX)  
Seal ..... 3622S[2]  
Kwik Slv (Opt Rpr) ..... KWK99169[2]

#### Differential

1994-1990  
Ball Bearing ..... 208[2]

#### Selector Shaft Seal/Man. Shaft

1994-1990  
Seal ..... 342517  
Kwik Slv (Opt Rpr) ..... KWK99101

### 5-SPEED MANUAL TRANSAXLE

#### Differential

1994-1990 (MTX III)(2 pinion)  
Set ..... SET45[2]  
1994-1990 (MTX III)(4 pinion)  
Set ..... SET37[2]

#### Input Shaft

1994-1990 (MTX III)  
Seal ..... 3638  
Cone/Cup ..... LM67049A-LM67010[2]  
Kwik Slv (Opt Rpr) ..... KWK99112

#### Countershaft

1994-1990 (MTX III)  
Set ..... SET16[2]

#### Output Shaft

1994-1990 (MTX III)  
Seal ..... 3622S[2]  
Set ..... SET30[2]  
Kwik Slv (Opt Rpr) ..... KWK99169[2]

#### Selector Shaft Seal/Man. Shaft

1994-1990 (MTX III)  
Seal Viton ..... 710274

### ALTERNATOR

1991-1990 Mazda 65 Amp.  
Ball Bearing (Drive End) ..... 303CC

Mfg./Year	Model & Location	Part No	Mfg./Year	Model & Location	Part No
-----------	------------------	---------	-----------	------------------	---------

---

## **MERCURY - FRONT DRIVE, AWD - Topaz (cont.)**

---

### **ALTERNATOR (cont.)**

<b>1991-1990 (Motorcraft)</b>	
Ball Bearing (Drive End) .....	203FF
<b>1991-1990 (Motorcraft)</b>	
Ball Bearing (Rear End) .....	MNJ471S

### **CRANKSHAFT FRONT SEAL**

#### **4 Cylinder**

<b>1994-1990 140/2.3L</b>	
Seal .....	714075
Kwik Slv (Opt Rpr) .....	KWK99177

#### **6 Cylinder**

<b>1994-1992 183/3.0L</b>	
Seal (Frt Entry) .....	2692
Seal (Rr Entry) .....	2942
Kwik Slv (Opt Rpr) .....	KWK99187
Harmonic Balancer Slv .....	88187

### **CRANKSHAFT REAR SEAL**

#### **4 Cylinder**

<b>1994-1990 140/2.3L</b>	
Seal .....	3772
Seal PTFE H/D Opt .....	5287

#### **6 Cylinder**

<b>1994-1992 183/3.0L</b>	
Seal .....	3772
Seal PTFE H/D Opt .....	5287

---

## **MERCURY - REAR DRIVE - Colony Park, Grand Marquis, Marauder**

---

### **FRONT WHEEL**

<b>2004-2003 (ABS)</b>	
Hub Assembly .....	513196[2]
<b>2002-1997 (From 4/97)</b>	
Hub Assembly .....	513202[2]
<b>1997-1992 (To 3/97)</b>	
Hub Assembly .....	513104[2]
<b>1991-1990</b>	
Seal (Inner) .....	6815[2]
Set (Inner) .....	SET11[2]
Set (Outer) .....	SET12[2]

### **REAR WHEEL**

<b>2005-1990</b>	
Seal .....	8660S[2]
Cylindrical Bearing .....	5707[2]
Kit .....	TRP1563TAV[2] <sup>19</sup>

### **REAR AXLE**

#### **Differential Rebuild Kit**

<b>2005-1990 (8.8" R.G.)</b>	
Kit .....	DRK311
<b>1997-1990 (8.5" R.G.)</b>	
Kit .....	DRK311

#### **Differential**

<b>2005-1990 (8.5", 8.8" R.G.)</b>	
Set .....	SET36[2]

### **REAR AXLE**

#### **Pinion**

<b>2005-1999 (8.8" R.G.)</b>	
Cone/Cup (Inner) .....	M802048-M802011
Seal Viton (Outer) .....	3604
Cone/Cup (Outer) .....	M88048-M88010
<b>1998-1990 (7.5", 8.5", 8.8" R.G.)</b>	
Cone/Cup (Inner) .....	M802048-M802011
Seal Viton (Outer) .....	3604
Cone/Cup (Outer) .....	M88048-M88010
Kwik Slv (Opt Rpr) .....	KWK99181

### **4-SPEED AUTOMATIC TRANSMISSION**

#### **Torque Converter**

<b>2002-1992 (AODE)</b>	
Seal .....	3404
<b>1991-1990 (AOT, AOD)</b>	
Seal .....	331107N
Kwik Slv (Opt Rpr) .....	KWK99199

#### **Rear Seal/Ext. Housing**

<b>2002-1995 (AODE)</b>	
Seal .....	4764
<b>1994-1992 (AODE)</b>	
Seal .....	7692S
Seal Kit .....	5202 <sup>64</sup>
<b>1991-1990 (AOT, AOD)(long boot)</b>	
Seal .....	7692S
Seal Kit .....	5202 <sup>64</sup>
<b>1991-1990 (AOT, AOD)(short boot)</b>	
Seal .....	2194

<sup>19</sup>Opt. Axle Rpr Brg. Replaces O.E. Brg & Seal

<sup>64</sup>Opt. Seal & Bushing Kit

# Bearings and Seals

Mfg./Year    Model & Location    Part No    Mfg./Year    Model & Location    Part No

## **MERCURY - REAR DRIVE - Colony Park, Grand Marquis, Marauder (cont.)**

### **4-SPEED AUTOMATIC TRANSMISSION**

#### **Selector Shaft Seal/Man. Shaft**

2002-1990  
Seal ..... 7929S

### **ALTERNATOR**

1991-1990 (Motorcraft)  
Ball Bearing (Drive End) ..... 203FF  
1991-1990 (Motorcraft)  
Ball Bearing (Rear End) ..... MNJ471S

### **CRANKSHAFT FRONT SEAL**

#### **8 Cylinder**

2001-1992 281/4.6L  
Seal ..... 482041N  
Kwik Slv (Opt Rpr) .....KWK99187  
Harmonic Balancer Slv ..... 88187  
1991-1990 (w/o 281/4.6, 292/4.8)  
Seal (Frt Entry) .....2692  
Seal (Rr Entry) ..... 2942  
Kwik Slv (Opt Rpr) .....KWK99187  
Harmonic Balancer Slv ..... 88187

### **CRANKSHAFT REAR SEAL**

#### **8 Cylinder**

2003-1990 281/4.6L, 302/5.0L  
Seal Viton ..... 3909  
Seal PTFE H/D Opt ..... 5277  
Kwik Slv (Opt Rpr) .....KWK99363  
1991-1990 351/5.8L (W)  
Seal Viton ..... 2377  
Seal PTFE H/D Opt ..... 5278  
Kwik Slv (Opt Rpr) .....KWK99372

## **MERCURY - REAR DRIVE - Cougar**

### **FRONT WHEEL**

1997-1993  
Hub Assembly .....513092[2]  
1992-1991 (ABS) & (w/o ABS)  
Hub Assembly .....513092[2]  
1990 (ABS)  
Hub Assembly .....513076[2]  
1990 (w/o ABS)  
Hub Assembly .....513077[2]

### **REAR WHEEL**

1997-1990  
Set ..... SET49[2]

### **CLUTCH RELEASE**

#### **Diaphragm Spring Pressure Plates**

1996-1993 6 Cyl. (including Supercharged)  
Bearing Assembly ..... 614061  
1992-1991 8 Cyl.  
Bearing Assembly .....614038  
1992-1990 6 Cyl. (including Supercharged)  
Bearing Assembly ..... 614061

### **REAR AXLE**

#### **Axle Shaft**

1997-1990 (IRS 7.5" R.G., IRS 8.8" R.G.)  
Seal Viton ..... 714569[2]  
Needle Bearing ..... FC66998[2]  
Kwik Slv (Opt Rpr) .....KWK99157[2]

### **REAR AXLE**

#### **Differential Rebuild Kit**

1997-1990 (8.8" R.G.)  
Kit ..... DRK311  
1997-1990 (7.5" R.G.)  
Kit ..... DRK315

#### **Differential**

1997-1990 (7.5" R.G.)  
Cone/Cup ..... LM501349-LM501314[2]  
1997-1990 (8.8" R.G.)  
Set ..... SET36[2]

#### **Pinion**

1997-1990 (7.5", 8.8" R.G.)  
Cone/Cup (Inner) ..... M802048-M802011  
Seal Viton (Outer) ..... 3604  
Cone/Cup (Outer) ..... M88048-M88010

### **4-SPEED AUTOMATIC TRANSMISSION**

#### **Torque Converter**

1997-1992 (AODE)  
Seal ..... 3404  
1993-1990 (AOT, AOD)  
Seal .....331107N  
Kwik Slv (Opt Rpr) .....KWK99199

Mfg./Year	Model & Location	Part No	Mfg./Year	Model & Location	Part No
-----------	------------------	---------	-----------	------------------	---------

**MERCURY - REAR DRIVE - Cougar (cont.)**

**4-SPEED AUTOMATIC TRANSMISSION**

**Rear Seal/Ext. Housing**

1997-1994 (AODE W)	
Seal .....	4764
1997-1994 (AODE)	
Seal .....	7692S
Seal Kit .....	5202 <sup>64</sup>
1993-1990 (AOT, AOD)(long boot)	
Seal .....	7692S
Seal Kit .....	5202 <sup>64</sup>
1993-1990 (AOT, AOD)(short boot)	
Seal .....	2194

**Selector Shaft Seal/Man. Shaft**

1997-1990	
Seal .....	7929S

**CLUTCH**

**Pilot Bearing**

1992-1990 (w/o 4.6 V8)	
Needle Bearing .....	FC65174

**5-SPEED MANUAL TRANSMISSION**

**Front Input Shaft**

1995-1990 (Mazda M5R2)	
Seal .....	223012
Kwik Slv (Opt Rpr) .....	KWK99114

**Countershaft**

1995-1990 (Mazda M5R2)	
Cylindrical Bearing (Center) .....	MR1207EL
Ball Bearing (Rr) .....	304WB

**Rear Output Shaft**

1995-1990 (Mazda M5R2)	
Seal .....	710414

**Extension Housing**

1995-1990 (Mazda M5R2)	
Seal .....	710415

**ALTERNATOR**

1993-1990 (Motorcraft)	
Ball Bearing (Drive End) .....	203FF
1993-1990 (Motorcraft)	
Ball Bearing (Rear End) .....	MNJ471S

**CRANKSHAFT FRONT SEAL**

**8 Cylinder**

1997-1994 281/4.6L	
Seal .....	482041N
Kwik Slv (Opt Rpr) .....	KWK99187
Harmonic Balancer Slv .....	88187
1993-1990 (w/o 281/4.6)	
Seal (Frt Entry) .....	2692
Seal (Rr Entry) .....	2942
Kwik Slv (Opt Rpr) .....	KWK99187
Harmonic Balancer Slv .....	88187

**CRANKSHAFT REAR SEAL**

**6 Cylinder**

1997-1990 232/3.8L From 1/1/83	
Seal Viton .....	3909
Seal PTFE H/D Opt .....	5277
Kwik Slv (Opt Rpr) .....	KWK99363

**8 Cylinder**

1997-1990 281/4.6L, 302/5.0L	
Seal Viton .....	3909
Seal PTFE H/D Opt .....	5277
Kwik Slv (Opt Rpr) .....	KWK99363

**MERCURY TRUCK - PICKUP, SUV - Mariner**

**FRONT WHEEL**

2006-2005	
Ball Bearing .....	510072[2]

**REAR WHEEL**

2006-2005	
Ball Bearing .....	510029[2]

**REAR WHEEL**

**4WD/AWD**

2006-2005	
Ball Bearing .....	510029[2]

<sup>64</sup>Opt. Seal & Bushing Kit



# Bearings and Seals

Mfg./Year    Model & Location    Part No    Mfg./Year    Model & Location    Part No

## **MERCURY TRUCK - PICKUP, SUV - Mountaineer**

### **FRONT WHEEL**

#### **2WD**

2001-1997  
 Seal (Inner) ..... 9150S[2]  
 Set (Inner) ..... SET5[2]  
 Set (Outer) ..... SET2[2]

#### **4WD/AWD**

2005-2002 (ABS)  
 Hub Assembly ..... SP470200[2]<sup>40</sup>  
 2001-1997 (ABS)(5 Lug Whl.)  
 Hub Assembly ..... SP450200[2]<sup>40</sup>

### **REAR WHEEL**

2005-2002  
 Hub Assembly ..... HA590259K[2]<sup>68</sup>  
 2001-1997  
 Seal ..... 8835S[2]  
 Cylindrical Bearing ..... 6408[2]  
 Kit ..... TRP1559TV[2]<sup>19</sup>

### **4WD FRONT AXLE**

#### **Axle Shaft**

2001-1997 (Spicer 35)  
 Seal Viton (LH) ..... 710429  
 Needle Bearing (LH) ..... S268  
 Seal (RH) ..... 710248  
 Cylindrical Bearing (RH) ..... 5707

#### **Differential Rebuild Kit**

2001-1997 (Dana/Spicer 35 axle)  
 Kit ..... DRK335

#### **Differential**

2005-2002  
 Cone/Cup ..... LM501349-LM501314[2]  
 2001-1997 (Dana/Spicer 35 axle)  
 Cone/Cup ..... LM501349-LM501314[2]

#### **Pinion**

2005-2002  
 Cone/Cup (Inner) ..... HM88649-HM88610  
 Seal Viton (Outer) ..... 714675  
 Cone/Cup (Outer) ..... M86649-M86610  
 2001-1997 (Dana/Spicer 35 axle)  
 Cone/Cup (Inner) ..... HM88648-HM88610  
 Seal Viton (Outer) ..... 714675  
 Cone/Cup (Outer) ..... M86649-M86610

#### **Spindle Kit**

2001-1997 (Dana/Spicer 35 axle)  
 Bearing & Seal Kit ..... SBK1<sup>33</sup>

### **4WD FRONT AXLE**

#### **Spindle**

2001-1997 (Dana/Spicer 35 axle)  
 Seal (Inner) ..... 722108  
 Needle Bearing (Inner) ..... B2110  
 Seal (Outer) ..... 722109

### **REAR AXLE**

#### **Axle Shaft**

2002 (8.8" R.G.)  
 Needle Bearing ..... FC66998[2]

#### **Differential Rebuild Kit**

2000-1997 (8.8" R.G.)  
 Kit ..... DRK311

#### **Differential**

2005-2001 (8.8" R.G.)  
 Cone/Cup ..... LM603049-LM603019[2]  
 2000-1997 (8.8" R.G.)  
 Set ..... SET36[2]

#### **Pinion**

2005-1997 (8.8" R.G.)  
 Cone/Cup (Inner) ..... M802048-M802011  
 Seal Viton (Outer) ..... 3604  
 Cone/Cup (Outer) ..... M88048-M88010

### **TRANSFER CASE REBUILD KIT**

2002-1998 4.0L  
 Kit ..... TCRK4405  
 2001-1997 5.0L  
 Kit ..... TCRK4404

### **TRANSFER CASE**

#### **Input Shaft**

2000-1997 (Warner 4405)  
 Seal ..... 710403  
 Ball Bearing ..... 209LO  
 Kwik Slv (Opt Rpr) ..... KWK99166  
 Needle Bearing Pilot ..... M18161  
 1998 (Warner 4404)(booted)  
 Seal ..... 4333N  
 Ball Bearing ..... 109TB  
 Needle Bearing Pilot ..... SCH1310  
 1998 (Warner 4404)(w/o boot)  
 Seal ..... 3946  
 Ball Bearing ..... 109TB  
 Kwik Slv (Opt Rpr) ..... KWK99187  
 Needle Bearing Pilot ..... SCH1310

<sup>19</sup>Opt. Axle Rpr Brg. Replaces O.E. Brg & Seal    <sup>33</sup>Opt. Kit Incls Brg B2110, Seals 722108 & 722109

<sup>40</sup>5 Lug. Incls Sensor Cable    <sup>68</sup>Kit Incls, Flg, Brg, & Snap Ring

**TRANSFER CASE**

**Front Output Shaft**

<b>2002-1998</b> (Warner 4403, 4404)	
Ball Bearing (Inner) .....	206WB
Seal (Outer) .....	710403
Ball Bearing (Outer) .....	207
Kwik Slv (Opt Rpr) .....	KWK99166
<b>2000-1997</b> (Warner 4405)	
Ball Bearing (Inner) .....	306H
Seal (Outer) .....	710403
Ball Bearing (Outer) .....	206WB
Kwik Slv (Opt Rpr) .....	KWK99166
Needle Bearing .....	FC67945 <sup>16</sup>

**Rear Output Shaft**

<b>2002-1999</b> (Warner 4403)	
Seal .....	710403
Ball Bearing .....	208
Kwik Slv (Opt Rpr) .....	KWK99166
<b>2000-1997</b> (Warner 4405)	
Seal .....	710403
Ball Bearing .....	306H
Kwik Slv (Opt Rpr) .....	KWK99166
<b>1998</b> (Warner 4404)	
Ball Bearing (Inner) .....	N1061
Seal (Outer) .....	710403
Ball Bearing (Outer) .....	208SL
Kwik Slv (Opt Rpr) .....	KWK99166

**Selector Shaft Seal/Man. Shaft**

<b>2002-1997</b> (Warner 4403, 4404, 4405)	
Seal .....	330385

**4-SPEED AUTOMATIC TRANSMISSION**

**Torque Converter**

<b>2001-1997</b> (4R70W)	
Seal .....	3404

**Rear Seal/Ext. Housing**

<b>2001-1997</b> (4R70W)	
Seal .....	4765

**4-SPEED AUTOMATIC TRANSMISSION**

**Selector Shaft Seal/Man. Shaft**

<b>2001-1997</b> (4R70W)	
Seal .....	7929S

**ALTERNATOR**

<b>1998-1997</b> Mitsubishi 110 Amp.	
Ball Bearing (Drive End) .....	303CC

**CRANKSHAFT FRONT SEAL**

**6 Cylinder**

<b>2002-1998</b> 244/4.0L	
Seal Viton .....	2012V
Kwik Slv (Opt Rpr) .....	KWK99166

**8 Cylinder**

<b>2002</b> 281/4.6L	
Seal .....	482041N
Kwik Slv (Opt Rpr) .....	KWK99187
Harmonic Balancer Slv .....	88187
<b>2001-1997</b> 302/5.0L	
Seal (Frt Entry) .....	2692
Seal (Rr Entry) .....	2942
Kwik Slv (Opt Rpr) .....	KWK99187
Harmonic Balancer Slv .....	88187

**CRANKSHAFT REAR SEAL**

**6 Cylinder**

<b>2003-1998</b> 244/4.0L	
Seal Viton .....	3393
Seal PTFE H/D Opt .....	5288
Kwik Slv (Opt Rpr) .....	KWK99237

**8 Cylinder**

<b>2003-1997</b> 281/4.6L, 302/5.0L	
Seal Viton .....	3909
Seal PTFE H/D Opt .....	5277
Kwik Slv (Opt Rpr) .....	KWK99363

**MERCURY TRUCK - MINIVAN - Monterey**

**FRONT WHEEL**

<b>2004</b> (L.H.)(ABS)	
Hub Assembly .....	HA590024[2] <sup>25</sup>
<b>2004</b> (R.H.)(ABS)	
Hub Assembly .....	HA590025[2] <sup>25</sup>

**REAR WHEEL**

<b>2004</b> (L.H.)(ABS)	
Hub Assembly .....	HA590022[2] <sup>25</sup>
<b>2004</b> (R.H.)(ABS)	
Hub Assembly .....	HA590021[2] <sup>25</sup>

<sup>16</sup>Part Obsolete, Check For Availability, While Supplies Last

<sup>25</sup>New Item, Check For Availability

# Bearings and Seals

Mfg./Year	Model & Location	Part No	Mfg./Year	Model & Location	Part No
-----------	------------------	---------	-----------	------------------	---------

## **MERCURY TRUCK - MINIVAN - Villager**

### **FRONT WHEEL**

2002-1993	Ball Bearing	510028[2]
-----------	--------------	-----------

## **MERKUR**

### **REAR WHEEL**

1990	Seal	224252[2]
	Set	SET24[2]

### **REAR AXLE**

#### **Differential**

1990	Scorpio	
	Cone/Cup	LM29749-LM29711[2]

### **CLUTCH**

#### **Pilot Bearing**

1990	Scorpio	
	Needle Bearing	FC65354
1990	XR4Ti	
	Needle Bearing	FC65354

### **Release Bearing**

1990	Scorpio	
	Bearing Only	F01267C
1990	XR4Ti	
	Bearing Assembly	614014

## **MITSUBISHI - FRONT DRIVE - Diamante, Eclipse, Eclipse AWD, Expo, Expo AWD, Galant, Galant AWD, Galant Sigma, Lancer, Mirage, Precis, 3000GT, 3000GT AWD**

### **FRONT WHEEL**

2006-2004	Galant 2.4L	
	Hub Assembly	513157[2]
2006-2004	Galant 3.8L	
	Hub Assembly	HA590108[2] <sup>25</sup>
2006-2004	Lancer LS, 0-Z Rallye	
	Ball Bearing	510079[2] <sup>25</sup>
2006-2002	Lancer ES	
	Ball Bearing	510016[2]
2005-2003	Lancer Evolution	
	Hub Assembly	513133[2]
2005-1995	Eclipse	
	Hub Assembly	513157[2]
2004-1991	Diamante	
	Seal (Inner)	710182[2]
	Ball Bearing (Inner)	510034[2]
	Seal (Outer)	710183[2]
2003-1998	Galant	
	Hub Assembly 5 Studs	513157[2]
	Hub Assembly 4 Studs	HA590240[2]
	Bearing Module	513135[2]
2002-1993	Mirage	
	Seal (Inner)	8430S[2]
	Ball Bearing (Inner)	510016[2]
	Seal (Outer)	4898[2]
1999-1991	3000GT (AWD)	
	Hub Assembly	513133[2]
1998-1991	3000GT (w/o AWD)	
	Seal (Inner)	710182[2]
	Ball Bearing (Inner)	510034[2]
	Seal (Outer)	710183[2]

### **FRONT WHEEL (cont.)**

1997	Galant	
	Bearing Module	513135[2]
1996	Galant	
	Hub Assembly 5 Studs	513157[2]
1996-1994	Galant	
	Hub Assembly 4 Studs	HA590240[2]
1995-1992	Expo	
	Seal (Inner)	225450[2]
	Ball Bearing (Inner)	513036[2]
	Seal (Outer)	225230[2]
1994-1990	Eclipse	
	Seal (Inner)	225450[2]
	Ball Bearing (Inner)	513036[2]
	Seal (Outer)	225230[2]
1994-1990	Precis	
	Seal (Inner)	474134[2]
	Set	SET41[2]
1993-1990	Galant	
	Seal (Inner)	225450[2]
	Ball Bearing (Inner)	513036[2]
	Seal (Outer)	225230[2]
1992-1990	Mirage	
	Seal (Inner)	474134[2]
	Set	SET41[2]

### **REAR WHEEL**

2006-2004	Galant (ABS)	
	Hub Assembly	HA590128[2] <sup>25</sup>

Mfg./Year	Model & Location	Part No	Mfg./Year	Model & Location	Part No
<b><i>MITSUBISHI - FRONT DRIVE - Diamante, Eclipse, Eclipse AWD, Expo, Expo AWD, Galant, Galant AWD, Galant Sigma, Lancer, Mirage, Precis, 3000GT, 3000GT AWD (cont.)</i></b>					

**REAR WHEEL (cont.)**

2006-2004	Lancer Sedan (2.4L)	
	Hub Assembly	HA590103[2] <sup>25</sup>
2006-2002	Lancer ES	
	Hub Assembly	HA590104[2] <sup>25</sup>
2006-2002	Lancer LS, O-Z Rally (2.0L)	
	Hub Assembly	HA590101[2] <sup>25</sup>
2005-2003	Lancer Evolution	
	Bearing Module	512181[2]
	Hub Assembly	HA590105[2] <sup>25</sup>
2005-1995	Eclipse (FWD)	
	Hub Assembly	HA590306[2] <sup>25</sup>
	Bearing Module Opt	512136[2]
2004	Lancer Wagon (2.4L)	
	Hub Assembly	HA590101[2] <sup>25</sup>
2004-1997	Diamante (ABS)	
	Hub Assembly	HA590107[2] <sup>25</sup>
2003-1996	Galant	
	Hub Assembly	HA590306[2] <sup>25</sup>
	Bearing Module Opt	512136[2]
2002-1997	Mirage (ABS)	
	Hub Assembly	512185[2]
2002-1993	Mirage (w/o ABS)	
	Hub Assembly	512148[2]
1999-1995	Eclipse (AWD)	
	Bearing Module	512181[2]
1999-1992	3000GT (AWD)	
	Seal (Inner)	710152[2]
	Ball Bearing (Inner)	511014[2]
	Ball Bearing (Outer)	511015[2]
1998-1991	3000GT (FWD)	
	Hub Assembly	512039[2]
1996-1994	Galant	
	Hub Assembly	512235[2]
1996-1992	Expo (AWD)	
	Ball Bearing	511013[2]
1996-1991	Diamante (ABS)	
	Hub Assembly	512011[2] <sup>81</sup>
1996-1990	Diamante (w/o ABS)	
	Hub Assembly	512010[2]
1994-1990	Eclipse (AWD)	
	Seal (Inner)	710152[2]
	Ball Bearing (Inner)	511014[2]
	Ball Bearing (Outer)	511015[2]
1994-1990	Eclipse (w/o ABS)	
	Hub Assembly	512010[2]
1994-1990	Eclipse (FWD)(ABS)	
	Hub Assembly	512011[2] <sup>81</sup>
1994-1990	Precis	
	Seal (Inner)	710404[2]
	Bearing Assembly	516000[2]
1993-1990	Galant (Disc Brks.)	
	Hub Assembly	512158[2]
1993-1990	Galant (FWD)(Drum Brks.)	
	Seal (Inner)	1196[2]
	Set (Inner)	SET4[2]
	Set (Outer)	SET1[2]
1992-1990	Mirage (Drum Brks.)	
	Seal (Inner)	1205N[2]
	Bearing Assembly	516001WB[2]

**REAR WHEEL (cont.)**

1992-1990	Galant Sigma (FWD)	
	Seal (Inner)	494122[2]
	Set (Inner)	SET6[2]
	Set (Outer)	SET2[2]
1991-1990	Galant (AWD)	
	Seal (Inner)	710152[2]
	Ball Bearing (Inner)	511014[2]
	Ball Bearing (Outer)	511015[2]
1990	Mirage (Disc Brks.)	
	Seal (Inner)	1205N[2]
	Bearing Assembly	516000[2]

**REAR AXLE**

**Differential**

1997-1991	(4WD) 3000GT	
	Seal	710208[2]
1995-1990	(4WD) Eclipse, Expo, Galant	
	Seal	710396[2]
	Bearing Assembly	30207M[2]

**TRANSMISSION REBUILD KIT**

2000-1990	(4 & 5 Spd. Tapered Brg.)	
	Kit	TRKM100

**CLUTCH**

**Pilot Bearing**

1996-1990	6 Cyl. 3.0	
	Ball Bearing	203FF
1996-1990	4 Cyl. 2.0, 2.4, 2.6	
	Ball Bearing	102CC

**Release Bearing**

2003-2000	Eclipse 2.4 (SOHC)(w/o Turbo)	
	Bearing Assembly	614126
1999-1996	Eclipse (AWD)(Turbo) 2.4L (SOHC)	
	Bearing Assembly	614099
1999-1996	Eclipse 2.0L (DOHC)	
	Bearing Assembly	614121
1996-1992	Expo	
	Bearing Assembly	614126
1996-1991	3000GT (AWD)(Turbo)	
	Bearing Assembly	614099
1996-1991	3000GT (w/o AWD Turbo)	
	Bearing Assembly	614126
1996-1991	Diamante	
	Bearing Assembly	614126
1996-1990	Galant Ser. (FWD)	
	Bearing Assembly	614126
1995	Eclipse (AWD)(Turbo)	
	Bearing Assembly	614099
1995	Eclipse (w/o Turbo)(w/o AWD)	
	Bearing Assembly	614121
1995-1990	Mirage (FWD)	
	Bearing Assembly	614126
1994-1990	Eclipse (AWD)(Turbo)	
	Bearing Assembly	614099

<sup>25</sup>New Item, Check For Availability

<sup>81</sup>Holes Exists For Tone Ring, Reuse Tone Ring From Old Unit.

# Bearings and Seals

Mfg./Year    Model & Location    Part No    Mfg./Year    Model & Location    Part No

## **MITSUBISHI - FRONT DRIVE - Diamante, Eclipse, Eclipse AWD, Expo, Expo AWD, Galant, Galant AWD, Galant Sigma, Lancer, Mirage, Precis, 3000GT, 3000GT AWD (cont.)**

### **CLUTCH (cont.)**

#### **Release Bearing (cont.)**

1994-1990	Eclipse 2.0 (DOHC)(w/o Turbo)	
	Bearing Assembly	614126
1992-1990	Precis	
	Bearing Assembly	614126
1991-1990	Sigma	
	Bearing Assembly	614126

### **3-SPEED AUTOMATIC TRANSAXLE**

#### **Torque Converter**

1997-1990		
	Seal	320583
	Kwik Slv (Opt Rpr)	KWK99157

#### **Idler Shaft**

1997-1990	(F3A21 3)	
	Bearing Assembly	30206M

#### **Transfer Shaft**

1997-1990	(F3A21 3)	
	Bearing Assembly	30207M
1994-1990	(KM171 1, KM171 2, KM172 0, KM171 5)	
	Bearing Assembly (Inne)	30206M
	Bearing Assembly (Outer)	30304

#### **Output Shaft**

1997-1990		
	Seal	223543[2]
	Kwik Slv (Opt Rpr)	KWK99139[2]

#### **Differential**

1997-1990	(F3A21 3, KM171 5)	
	Ball Bearing	207[2]

### **4-SPEED AUTOMATIC TRANSAXLE**

#### **Differential**

1999-1997	(F4A21 2, F4A33 1)	
	Ball Bearing	207[2]
1999-1997	(F4AC1)	
	Seal	3459S[2]
	Kwik Slv (Opt Rpr)	KWK99157[2]
	Set (RH)	SET11
1996-1995	(F4AC1)	
	Seal	3459S[2]
	Set	SET11[2]
	Kwik Slv (Opt Rpr)	KWK99157[2]
1996-1990	(F4A21 2, F4A22 2, F4A33 1, KM176 5, KM177 0)	
	Ball Bearing	207[2]
1990	(KM177 8)	
	Ball Bearing	206WB[2]

### **4-SPEED AUTOMATIC TRANSAXLE**

#### **Torque Converter**

2001-1997	(F4A21 2, F4A33 1, W4A33 1)	
	Seal	320583
	Kwik Slv (Opt Rpr)	KWK99157
1999-1995	(F4AC1)	
	Seal	331228H
	Kwik Slv (Opt Rpr)	KWK99149
1996-1990	(F4A21 2, F4A22 2, F4A33 1, KM176 5, KM175 5, KM177 0, KM177 8, W4A32 1, W4A33 1)	
	Seal	320583
	Kwik Slv (Opt Rpr)	KWK99157

#### **Input Shaft**

1995-1990	(W4A32 1)	
	Seal	223014
	Kwik Slv (Opt Rpr)	KWK99114

#### **Idler Shaft**

1997-1991	(F4A21 2)	
	Bearing Assembly	30206M

#### **Transfer Shaft**

1999-1995	(F4AC1)	
	Set	SET16[2]
1997-1991	(F4A21 2)	
	Bearing Assembly	30207M

#### **Output Shaft**

1999-1993	(F4A33 1)	
	Seal Viton	710259[2]
1999-1990	(W4A32 1, W4A33 1)	
	Seal (LH)	223543
	Seal (RH)	710199
	Kwik Slv (Opt Rpr)	KWK99139[2]
1997	(F4A21 2)	
	Seal	223543[2]
	Kwik Slv (Opt Rpr)	KWK99139
1996-1993	(F4A21 2, F4A22 2)	
	Seal	223543[2]
	Kwik Slv (Opt Rpr)	KWK99139
1992-1990	(F4A21 2, F4A22 2, F4A33 1, KM176 5, KM175 5, KM177 0, KM177 8)	
	Seal	223543[2]
	Kwik Slv (Opt Rpr)	KWK99139

#### **Selector Shaft Seal/Man. Shaft**

1999-1995	(F4AC1)	
	Seal	8609

Mfg./Year	Model & Location	Part No	Mfg./Year	Model & Location	Part No
-----------	------------------	---------	-----------	------------------	---------

---

**MITSUBISHI - FRONT DRIVE - Diamante, Eclipse, Eclipse AWD, Expo, Expo AWD, Galant, Galant AWD, Galant Sigma, Lancer, Mirage, Precis, 3000GT, 3000GT AWD (cont.)**

---

**ALTERNATOR**

1994-1991	110 Amp.	
	Ball Bearing (Drive End)	303CC
1994-1990	65 Amp.	
	Ball Bearing (Drive End)	302CC

**CRANKSHAFT FRONT SEAL**

**4 Cylinder**

2002-1992	1834cc/1.8L	
	Seal	223750
2002-1990	1468cc/1.5L	
	Seal	223018
	Kwik Slv (Opt Rpr)	KWK99114
2000-1990	1595cc/1.6L, 1755cc/1.8L, 1795cc/1.8L, 1997cc/2.0L, 2351cc/2.4L	
	Seal	224460

**6 Cylinder**

2002-1990	2497cc/2.5L, 2972cc/3.0L, 3496cc/3.5L	
	Seal	223750

**CRANKSHAFT REAR SEAL**

**4 Cylinder**

2002-1990	1468cc/1.5L, 1597cc/1.6L, 1755cc/1.8L	
	Seal	227235
2000-1990	1595cc/1.6L, 1795cc/1.8L, 1997cc/2.0L, 2351cc/2.4L	
	Seal Viton	228005
	Kwik Slv (Opt Rpr)	KWK99315
1999-1995	122/2.0L (DOHC)	
	Seal Viton	710056
	Seal PTFE H/D Opt	5279

**6 Cylinder**

2003-1997	3496cc/3.5L	
	Seal Viton	229005
	Kwik Slv (Opt Rpr)	KWK99354
2003-1990	2497cc/2.5L, 2972cc/3.0L	
	Seal Viton	710056
	Seal PTFE H/D Opt	5279

---

**MITSUBISHI TRUCK - MINIVAN, PICKUP, SUV - Endeavor, Mighty Max, Montero, Montero Sport, Outlander, VanWagon**

---

**FRONT WHEEL**

**2WD**

2005	Montero	
	Seal (Inner)	225875[2]
	Set	SET47[2]
2005-2004	Endeavor	
	Hub Assembly	HA590108[2] <sup>25</sup>
2004-2003	Outlander	
	Ball Bearing	510079[2] <sup>25</sup>
2004-1997	Montero, Montero Sport	
	Seal (Inner)	225875[2]
	Set	SET47[2]
1996-1990		
	Seal (Inner)	225010[2]
	Set (Inner)	SET5[2]
	Set (Outer)	SET3[2]

**4WD/AWD**

2006-2003	Outlander	
	Ball Bearing	510079[2] <sup>25</sup>
2005	Montero	
	Seal (Inner)	225875[2]
	Set	SET47[2]
2005-2004	Endeavor	
	Hub Assembly	HA590108[2] <sup>25</sup>
2004-2003	Montero, Montero Sport	
	Seal (Inner)	225875[2]
	Ball Bearing	510079[2] <sup>25</sup>
	Set	SET47[2]

**FRONT WHEEL (cont.)**

**4WD/AWD (cont.)**

2002-1990		
	Seal (Inner)	225875[2]
	Set	SET47[2]

**REAR WHEEL**

2006-2003	Outlander (2WD)	
	Hub Assembly	HA590103[2] <sup>25</sup>
2006-2003	Outlander (4WD)	
	Ball Bearing	511013[2]
2005-2004	Endeavor	
	Hub Assembly	HA590120[2] <sup>25</sup>
2005-2001	Montero	
	Hub Assembly	HA590039[2] <sup>25</sup>
2004-2001	Montero Sport (Locking Diff.)	
	Seal (Inner)	4989[2]
	Ball Bearing (Inner)	516006[2]
	Seal (Outer)	710437[2]
2004-2001	Montero Sport (w/o Locking Diff.)	
	Seal (Inner)	4989[2]
	Bearing Assembly (Inne	30208M[2]
	Seal (Outer)	225010[2]
2000-1997	Montero (Locking Diff.)	
	Seal (Inner)	4989[2]
	Ball Bearing (Inner)	516006[2]
	Seal (Outer)	710437[2]

<sup>25</sup>New Item, Check For Availability

# Bearings and Seals

Mfg./Year    Model & Location    Part No    Mfg./Year    Model & Location    Part No

## ***MITSUBISHI TRUCK - MINIVAN, PICKUP, SUV - Endeavor, Mighty Max, Montero, Montero Sport, Outlander, VanWagon (cont.)***

### **REAR WHEEL (cont.)**

<b>2000-1997</b>	Montero (w/o Locking Diff.)
Seal (Inner)	.....4989[2]
Bearing Assembly (Inne	.....30208M[2]
Seal (Outer)	.....225010[2]
<b>1996-1992</b>	Mighty Max
Seal (Inner)	.....4989[2]
Bearing Assembly (Inne	.....30208M[2]
Seal (Outer)	.....225010[2]
<b>1996-1992</b>	Montero
Seal (Inner)	.....4989[2]
Ball Bearing (Inner)	.....516006[2]
Seal (Outer)	.....710437[2]
<b>1991-1990</b>	Pickups
Seal (Inner)	.....4989[2]
Bearing Assembly (Inne	.....30208M[2]
Seal (Outer)	.....225010[2]
<b>1990</b>	Van Wagon
Seal (Inner)	.....223550[2]
Cone/Cup (Inner)	.....LM29749-LM29710[2]
Seal (Outer)	.....224510[2]

### **FRONT AXLE**

#### **Differential**

<b>2003-1994</b>	
Seal	.....710151[2]
Cone/Cup	.....17887-17831[2]
<b>1993-1990</b>	4 Cyl.
Seal	.....710335[2]
Cone/Cup	.....17887-17831[2]
Kwik Slv (Opt Rpr)	.....KWK99139[2]
<b>1993-1990</b>	6 Cyl.
Seal	.....710151[2]
Cone/Cup	.....17887-17831[2]

#### **Pinion**

<b>2003-1994</b>	
Cone/Cup (Inner)	.....HM89449-HM89410
Seal (Outer)	.....224570
Cone/Cup (Outer)	.....M88043-M88010
Kwik Slv (Opt Rpr)	.....KWK99169
<b>1993-1991</b>	6 Cyl.
Cone/Cup (Inner)	.....HM89449-HM89410
Seal (Outer)	.....224570
Cone/Cup (Outer)	.....M88043-M88010
Kwik Slv (Opt Rpr)	.....KWK99169
<b>1993-1990</b>	4 Cyl.
Cone/Cup (Inner)	.....HM89449-HM89410
Seal (Outer)	.....224255
Cone/Cup (Outer)	.....M86649-M86610
Kwik Slv (Opt Rpr)	.....KWK99169
<b>1990</b>	6 Cyl.
Cone/Cup (Inner)	.....HM89449-HM89410
Seal (Outer)	.....1943
Cone/Cup (Outer)	.....M88043-M88010
Kwik Slv (Opt Rpr)	.....KWK99169

### **REAR AXLE**

#### **Differential**

<b>2005-2003</b>	Outlander
Seal	.....223543[2]
Bearing Assembly	.....30207M[2]
<b>2000-1990</b>	
Cone/Cup	.....17887-17831[2]

#### **Pinion**

<b>2005-2003</b>	Outlander
Bearing Assembly (Inne	.....32207M
Seal (Outer)	.....471847N
Cone (Outer)	.....30305C
<b>2004-2001</b>	Montero
Cone/Cup (Inner)	.....HM89249-HM89210
Seal (Outer)	.....224570
Cone/Cup (Outer)	.....M88043-M88010
Kwik Slv (Opt Rpr)	.....KWK99177
<b>2000-1994</b>	Mighty Max, Montero
Cone/Cup (Inner)	.....HM89249-HM89210
Seal (Outer)	.....224570
Cone/Cup (Outer)	.....M88043-M88010
Kwik Slv (Opt Rpr)	.....KWK99177
<b>1993-1990</b>	Mighty Max, Montero (4 Cyl.)
Cone/Cup (Inner)	.....HM89449-HM89410
Seal (Outer)	.....224570
Cone/Cup (Outer)	.....M88043-M88010
Kwik Slv (Opt Rpr)	.....KWK99177
<b>1993-1990</b>	Mighty Max, Montero (6 Cyl.)
Cone/Cup (Inner)	.....HM89249-HM89210
Seal (Outer)	.....224570
Cone/Cup (Outer)	.....M88043-M88010
Kwik Slv (Opt Rpr)	.....KWK99177
<b>1990</b>	Van Wagon
Cone/Cup (Inner)	.....HM89449-HM89410
Seal (Outer)	.....224570
Cone/Cup (Outer)	.....M88043-M88010
Kwik Slv (Opt Rpr)	.....KWK99177

### **TRANSFER CASE REBUILD KIT**

<b>2002-1991</b>	(KM120)
Kit	.....TRKFM220
<b>1996-1990</b>	(KM100)
Kit	.....TRKFM230

### **TRANSMISSION REBUILD KIT**

<b>2003-1990</b>	Montero (4WD)(V6)
Kit	.....TRKFM200
<b>2003-1990</b>	Montero
Kit	.....TRKFM130
<b>1996-1990</b>	(KM145 8)
Kit	.....TRKFM120
<b>1996-1990</b>	(V5MT2)
Kit	.....TRKFM200

Mfg./Year	Model & Location	Part No	Mfg./Year	Model & Location	Part No
-----------	------------------	---------	-----------	------------------	---------

---

**MITSUBISHI TRUCK - MINIVAN, PICKUP, SUV - Endeavor, Mighty Max, Montero, Montero Sport, Outlander, VanWagon (cont.)**

---

**4-SPEED AUTOMATIC TRANSMISSION**

**Torque Converter**

<b>2001-1990</b> (Aisin)	
Seal .....	223830
Kwik Slv (Opt Rpr) .....	KWK99147
<b>1996-1990</b> (A500)	
Seal .....	331228H
Kwik Slv (Opt Rpr) .....	KWK99149

**Rear Seal/Ext. Housing**

<b>2001-1995</b> (Aisin 03 40)	
Seal .....	225005
<b>1996-1990</b> (A500)(2wd)	
Seal .....	7300S
Ball Bearing .....	207XLO
Seal Kit .....	5206 <sup>64</sup>
<b>1996-1990</b> (A500)(4WD)	
Seal .....	710058
Ball Bearing .....	207XLO
<b>1994-1990</b> (Aisin 03 72)	
Seal .....	710319

**Selector Shaft Seal/Man. Shaft**

<b>2001-1995</b> (Aisin 03 40)	
Seal .....	221207
Kwik Slv (Opt Rpr) .....	KWK99049
<b>1996-1990</b> (A500)	
Seal .....	8609

**CLUTCH**

**Pilot Bearing**

<b>1996-1990</b> 6 Cyl. 3.0	
Ball Bearing .....	203FF
<b>1996-1990</b> 4 Cyl. 2.0, 2.4, 2.6	
Ball Bearing .....	102CC

**Release Bearing**

<b>1999-1990</b> 2972cc/3.0L	
Bearing Assembly .....	614107
<b>1999-1990</b> 2350cc/2.4L	
Bearing Assembly .....	614016

**5-SPEED MANUAL TRANSMISSION**

**Front Input Shaft**

<b>1996-1990</b>	
Seal .....	223014
Ball Bearing .....	307L
Kwik Slv (Opt Rpr) .....	KWK99114

**Countershaft**

<b>1996-1990</b> (KM132 1)	
Bearing Assembly .....	30205M[2]
<b>1993-1990</b> (KM132 E, KM132 9, KM145 2, KM145 4, KM145 8)	
Cone/Cup .....	XAA30205-YAA30205[2]

**5-SPEED MANUAL TRANSMISSION**

**Rear Output Shaft**

<b>1996-1990</b> (KM132 1, KM145 8, KM145 9)	
Seal .....	223608
Ball Bearing .....	511014

**ALTERNATOR**

<b>1994-1991</b> 110 Amp.	
Ball Bearing (Drive End) .....	303CC
<b>1994-1990</b> 65 Amp.	
Ball Bearing (Drive End) .....	302CC

**DRIVESHAFT SUPPORT**

<b>1993-1990</b> Mighty Max (4WD)	
Hanger Brg Assy .....	HB30
<b>1992-1990</b> Mighty Max (4WD)	
Hanger Brg Assy .....	HB22

**CAMSHAFT SEAL**

**4 Cylinder**

<b>1999-1990</b> 2000/2.0L, 2300/2.3L (Diesel), 2350/2.4L	
Seal .....	3771
Kwik Slv (Opt Rpr) .....	KWK99139

**6 Cylinder**

<b>2002-1994</b> 3500/3.5L (DOHC)	
Seal (Frt) .....	223010[2]
Seal (Rr) .....	710302[2]
Kwik Slv (Opt Rpr) .....	KWK99114[4]
<b>2002-1990</b> 2972cc/3.0L	
Seal .....	3771[2]
Kwik Slv (Opt Rpr) .....	KWK99139[2]

**CRANKSHAFT FRONT SEAL**

**4 Cylinder**

<b>1999-1990</b> 2000/2.0L, 2300/2.3L (Diesel), 2350/2.4L	
Seal .....	224460

**6 Cylinder**

<b>2002-1994</b> 3500/3.5L (DOHC)	
Seal .....	223750
<b>2002-1990</b> 2972cc/3.0L	
Seal .....	223750

**CRANKSHAFT REAR SEAL**

**4 Cylinder**

<b>2003-1990</b> 2000/2.0L, 2300/2.3L (Diesel), 2350/2.4L	
Seal Viton .....	228005
Kwik Slv (Opt Rpr) .....	KWK99315

<sup>64</sup>Opt. Seal & Bushing Kit



# Bearings and Seals

Mfg./Year    Model & Location    Part No    Mfg./Year    Model & Location    Part No

## ***MITSUBISHI TRUCK - MINIVAN, PICKUP, SUV - Endeavor, Mighty Max, Montero, Montero Sport, Outlander, VanWagon (cont.)***

### **CRANKSHAFT REAR SEAL**

#### **6 Cylinder**

<b>2003-1994</b>	3500/3.5L, 3797 3.8L	
Seal Viton .....		229005
Kwik Slv (Opt Rpr) .....		KWK99354
<b>2003-1990</b>	2972cc/3.0L	
Seal Viton .....		710056
Seal PTFE H/D Opt .....		5279

## ***NISSAN - FRONT WHEEL DRIVE - Altima, Axxess, Maxima, Pulsar, NX, Sentra, Sentra AWD, Stanza, Stanza AWD, 200SX***

### **FRONT WHEEL**

<b>2006-2002</b>	Altima	
Ball Bearing .....		510060[2]
<b>2006-2000</b>	Sentra	
Ball Bearing .....		510061[2]
<b>2005-2000</b>	Maxima	
Ball Bearing .....		510060[2]
<b>2001-1998</b>	Altima (w/o ABS)	
Ball Bearing (Inner) .....		510068[2]
Seal .....		710108[2]
<b>2001-1993</b>	Altima (ABS)	
Ball Bearing (Inner) .....		510009[2]
Seal .....		710108[2]
<b>1999-1991</b>	Sentra	
Seal (Inner) .....		710127[2]
Ball Bearing (Inner) .....		514002B[2]
Seal (Outer) .....		710125[2]
<b>1999-1990</b>	Maxima	
Ball Bearing (Inner) .....		510009[2]
Seal .....		710108[2]
<b>1998-1995</b>	200SX	
Seal (Inner) .....		710127[2]
Ball Bearing (Inner) .....		514002B[2]
Seal (Outer) .....		710125[2]
<b>1993-1991</b>	NX	
Seal (Inner) .....		710127[2]
Ball Bearing (Inner) .....		514002B[2]
Seal (Outer) .....		710125[2]
<b>1992-1990</b>	Axxess	
Ball Bearing (Inner) .....		510009[2]
Seal .....		710108[2]
<b>1992-1990</b>	Stanza	
Ball Bearing (Inner) .....		510009[2]
Seal .....		710108[2]
<b>1990</b>	Pulsar	
Seal .....		710107[2]
Ball Bearing .....		510008[2]
<b>1990</b>	Sentra	
Seal .....		710107[2]
Ball Bearing .....		510008[2]

### **FRONT WHEEL**

#### **4WD/AWD**

<b>1995-1990</b>	Axxess	
Ball Bearing (Inner) .....		510009[2]
Seal .....		710108[2]

### **REAR WHEEL**

<b>2006-2002</b>	Altima (ABS)	
Hub Assembly .....		512201[2]
<b>2006-2002</b>	Altima (w/o ABS)	
Hub Assembly .....		512202[2]
<b>2006-2000</b>	Sentra	
Hub Assembly .....		HA590110[2] <sup>25</sup>
<b>2005-2004</b>	Maxima	
Hub Assembly .....		HA590111[2] <sup>25</sup>
<b>2003-2000</b>	Maxima	
Hub Assembly .....		512203[2]
<b>2001-1998</b>	Altima (ABS)(Disc)	
Hub Assembly .....		HA590047[2] <sup>25</sup>
<b>2001-1998</b>	Altima (ABS)(Drum)	
Hub Assembly .....		HA590043[2] <sup>25</sup>
<b>2001-1998</b>	Altima (w/o ABS)	
Hub Assembly .....		512016[2]
<b>1999-1991</b>	Sentra (w/o ABS)	
Hub Assembly .....		512025[2]
<b>1999-1990</b>	Maxima (ABS or w/o ABS)	
Hub Assembly .....		512140[2] <sup>16</sup>
<b>1998-1995</b>	200SX (w/o ABS)	
Hub Assembly .....		512025[2]
<b>1997-1993</b>	Altima	
Hub Assembly .....		512016[2]
<b>1995-1990</b>	Axxess (AWD)	
Ball Bearing (Inner) .....		510009[2]
Seal .....		710108[2]
<b>1995-1990</b>	Axxess (FWD)	
Hub Assembly .....		512016[2]
<b>1992-1990</b>	Stanza (w/o ABS)	
Hub Assembly .....		512016[2]
<b>1990</b>	Pulsar	
Ball Bearing .....		513071[2]
<b>1990</b>	Sentra	
Ball Bearing .....		513071[2]
<b>1990</b>	Sentra (4WD)	
Seal (Inner) .....		710069[2]
Bearing Assembly (Inne .....		513015[2]
Set (Outer) .....		SET2[2]

Mfg./Year	Model & Location	Part No	Mfg./Year	Model & Location	Part No
<b>NISSAN - FRONT WHEEL DRIVE - Altima, Axxess, Maxima, Pulsar, NX, Sentra, Sentra AWD, Stanza, Stanza AWD, 200SX (cont.)</b>					

**TRANSFER CASE**

**Selector Shaft Seal/Man. Shaft**

1992-1990 (TY10)	
Seal .....	710243
Kwik Slv (Opt Rpr) .....	KWK99098

**CLUTCH - 4 CYLINDER**

**Pilot Bearing**

2002-1990	
Bushing .....	PB22

**CLUTCH - 6 CYLINDER**

**Pilot Bearing**

2002-1990	
Bushing .....	PB22

**CLUTCH - 4 CYLINDER**

**Release Bearing**

2001-1991	1998cc./2.0L (DOHC)(215mm Cl.)	
Bearing Assembly .....		614047
1999-1990	1597cc./1.6L (190mm Cl.)	
Bearing Assembly .....		614047
1992-1990	2389cc./2.4L (225mm Cl.)	
Bearing Assembly .....		614157

**CLUTCH - 6 CYLINDER**

**Release Bearing**

1992-1990	2960cc/3.0L, 2988cc/3.0 (DOHC)	
Bearing Assembly .....		614049

**3-SPEED AUTOMATIC TRANSAXLE**

**Torque Converter**

1992-1990 (RL3F01A, RN3F01A)	
Seal .....	224979

**Output Shaft**

1992-1990 (RL3F01A)	
Seal Viton .....	224026[2]
Kwik Slv (Opt Rpr) .....	KWK99157[2]
Ball Bearing (RH) .....	32006
Bearing Assembly (LH) .....	32007XM
1990 (RN3F01A)	
Seal .....	710122[2]
Ball Bearing (RH) .....	32006
Bearing Assembly (LH) .....	32007XM

**3-SPEED AUTOMATIC TRANSAXLE**

**Differential**

1992-1990 (RL3F01A, RN3F01A)	
Bearing Assembly (LH) .....	32013X
Bearing Assembly (RH) .....	30208M

**4-SPEED AUTOMATIC TRANSAXLE**

**Differential**

2002-1998 (RL4F03V)	
Bearing Assembly (LH) .....	32008XM
2002-1991 (RL4F03A, RE4F03A)	
Ball Bearing .....	208[2]
2001-1992 (RE4F04A)	
Bearing Assembly .....	32009XM[2]
2001-1992 (RE4F04V)	
Bearing Assembly (LH) .....	32009XM
Bearing Assembly (RH) .....	32013X
1994-1991 (RL4F03V)	
Bearing Assembly (LH) .....	32008XM
1994-1990 (RE4F02A, RL4F02A)	
Bearing Assembly (LH) .....	32013X
Bearing Assembly (RH) .....	30208M
1992-1990 (RE4F02V)	
Bearing Assembly (LH) .....	32010X
Bearing Assembly (RH) .....	32013X

**Torque Converter**

2002-1991 (RL4F03A, RE4F03A, RL4F03V)	
Seal .....	710442
2001-1990 (RE4F02A, RE4F02V, RL4F02A, RE4F04A, RE4F04V)	
Seal .....	224663
Kwik Slv (Opt Rpr) .....	KWK99181

**Output Shaft**

2002-1991 (RL4F03A, RE4F03A)	
Seal Viton .....	224026[2]
2001-1992 (RE4F04A)	
Seal (LH) .....	710118
Seal (RH) .....	710124
2001-1992 (RE4F04V)	
Seal (LH) .....	710397
Seal (RH) .....	710124
1999-1991 (RL4F03V)	
Seal (LH) .....	710132
Seal (RH) .....	710133
1994-1990 (RE4F02A, RE4F02V)	
Seal (LH) .....	710123
Seal (RH) .....	710124
1992-1990 (RL4F02A)(4WD)	
Seal .....	226018[2]

**Selector Shaft Seal/Man. Shaft**

2001-1991	
Seal .....	221207

# Bearings and Seals

Mfg./Year	Model & Location	Part No	Mfg./Year	Model & Location	Part No
<b>NISSAN - FRONT WHEEL DRIVE - Altima, Axxess, Maxima, Pulsar, NX, Sentra, Sentra AWD, Stanza, Stanza AWD, 200SX (cont.)</b>					

## 4-SPEED MANUAL TRANSAXLE

### Differential

1990 (RN4F31A)	
Bearing Assembly	30208M[2]

### Input Shaft

1990 (RN4F31A)	
Seal	710316
Ball Bearing	305AG
Kwik Slv (Opt Rpr)	KWK99098

### Output Shaft

1990 (RN4F31A)	
Seal Viton	224026[2]
Kwik Slv (Opt Rpr)	KWK99157[2]

## 5-SPEED MANUAL TRANSAXLE

### Differential

2002-1991 (RS5F32V)	
Bearing Assembly (LH)	32010X
2002-1990 (RS5F31A)(RS5F32A)	
Bearing Assembly	32010X[2]
2001-1990 (RS5F50A)	
Bearing Assembly	32009XM[2]
2001-1990 (RS5F50V)	
Bearing Assembly (LH)	32009XM
Bearing Assembly (RH)	32013X
1991-1990 (RS5F30A)	
Bearing Assembly	30208M[2]

### Input Shaft

2002-1991 (RS5F32A)(RS5F32V)	
Seal	710316
Ball Bearing	305AG
Kwik Slv (Opt Rpr)	KWK99098
2001-1990 (RS5F50A)(RS5F50V)	
Seal	710119
Ball Bearing	108A
Kwik Slv (Opt Rpr)	KWK99111
1999-1990 (RS5F30A)(RS5F31A)	
Seal	710316
Ball Bearing	305AG
Kwik Slv (Opt Rpr)	KWK99098

### Output Shaft

2002-1998 (RS5F32A)	
Seal	710132[2]
2002-1991 (RS5F32V)	
Seal (LH)	710132
Seal (RH)	710133
2001-1990 (RS5F50A)	
Seal (LH)	710118
Bearing Assembly (LH)	32206M
Seal (RH)	710124
Bearing Assembly (RH)	30306M
2001-1990 (RS5F50V)	
Seal (LH)	710397
Seal (RH)	710124

## 5-SPEED MANUAL TRANSAXLE (cont.)

### Output Shaft (cont.)

1999-1990 (RS5F31A)	
Seal (LH)	225210
Seal (RH)	710134
1991-1990 (RS5F30A)	
Seal Viton	224026[2]
Bearing Assembly	30304[2]
Kwik Slv (Opt Rpr)	KWK99157[2]

## ALTERNATOR

1994-1992 Mitsubishi 110 Amp.	
Ball Bearing (Drive End)	303CC
1994-1990 Hitachi 70, 80, 90 Amp.	
Ball Bearing (Drive End)	303CC

## BALANCE SHAFT

### 4 Cylinder

1990 1597cc/1.6L	
Seal	710415
Kwik Slv (Opt Rpr)	KWK99128

## CAMSHAFT SEAL

### 4 Cylinder

2001-1991 1597cc/1.6L (DOHC), 1998cc/2.0 (DOHC)	
Seal	223420[2]
Kwik Slv (Opt Rpr)	KWK99134[2]
1990 1487cc/1.5L, 1597cc/1.6L	
Seal	224020
Kwik Slv (Opt Rpr)	KWK99157

### 6 Cylinder

1994-1992 2960cc/3.0L (DOHC)	
Seal	224052[4]
Kwik Slv (Opt Rpr)	KWK99157[4]
1994-1990 2960cc/3.0L	
Seal	224052[2]
Kwik Slv (Opt Rpr)	KWK99157[2]

## CRANKSHAFT FRONT SEAL

### 4 Cylinder

2002-2000 1800/1.8L	
Seal	223340
2002-1991 1998cc/2.0L	
Seal	224650
Kwik Slv (Opt Rpr)	KWK99181
2001-1990 2389cc/2.4L	
Seal	224650
1999-1991 1600/ 1.6L (DOHC)	
Seal	710308
Kwik Slv (Opt Rpr)	KWK99157
1993-1990 1600/ 1.6L (SOHC)	
Seal	223602
Kwik Slv (Opt Rpr)	KWK99146

Mfg./Year	Model & Location	Part No	Mfg./Year	Model & Location	Part No
<b>NISSAN - FRONT WHEEL DRIVE - Altima, Axxess, Maxima, Pulsar, NX, Sentra, Sentra AWD, Stanza, Stanza AWD, 200SX (cont.)</b>					

### CRANKSHAFT FRONT SEAL

#### 6 Cylinder

2001-1995	2988cc/3.0L	
Seal	.....	710356
Kwik Slv (Opt Rpr)	.....	KWK99189

### CRANKSHAFT REAR SEAL

#### 4 Cylinder

2003-1990	1597cc/1.6L, 1598cc/1.6L, 1680cc/1.7L, 1809cc/1.8L, 1974cc/2.0L, 1998cc/2.0L	
Seal Viton	.....	228410
2001-1991	2389cc/2.4L	
Seal	.....	228009
Kwik Slv (Opt Rpr)	.....	KWK99315

#### 6 Cylinder

2001-1995	2988cc/3.0L	
Seal Viton	.....	710363
1995-1990	2960cc/3.0L	
Seal Viton	.....	228410

## NISSAN - REAR WHEEL DRIVE - 240SX, 300ZX, 350Z

### FRONT WHEEL

2005-2003	350Z	
Hub Assembly	.....	HA590027[2] <sup>25</sup>
1996-1990	300ZX	
Seal	.....	710108[2]
Bearing Assembly	.....	513244[2]
1994-1990	240SX	
Ball Bearing	.....	510031[2]
1990	Micra, Multi Wagon, Multi Wagon (AWD)	
Ball Bearing	.....	510054[2]

### REAR WHEEL

2005-2003	350Z	
Bearing Module	.....	BM500006[2] <sup>25</sup>
1998-1990	240SX	
Bearing Module	.....	512014[2]
1996-1990	300ZX (Turbo)	
Bearing Module (LH)	.....	511010[2]
Bearing Module (RH)	.....	511011[2]
Seal	.....	710130[2]
1996-1990	300ZX (w/o Turbo)(From 3/1990)	
Seal	.....	710129[2]
1993-1991	NX1600, NX2000	
Ball Bearing	.....	513071[2]
1990	300ZX (w/o Turbo)(Thru 2/1990)	
Seal	.....	710129[2]
Bearing Module	.....	512014[2]

### REAR AXLE

#### Differential

2002-1998	C200B	
Cone	.....	30209C[2]
2002-1990	H233, H233B, H233BS	
Cone/Cup	.....	17887-17831[2]

### REAR AXLE (cont.)

#### Differential (cont.)

1998-1990	R230	
Seal	.....	710135[2]
Bearing Assembly	.....	32211M[2]
1998-1990	R200, R200A, R200KV, R200V	
Seal	.....	223542[2]
Cone	.....	30209C[2]
1995-1990	(H190, H190A, H190B axle)	
Seal	.....	1167S[2]
Bearing Assembly	.....	30208M[2]
1995-1990	R180, R180A	
Seal	.....	1167S[2]
Bearing Assembly	.....	30208M[2]
1993-1990	C200, C200B	
Cone	.....	30209C[2]

#### Pinion

2002-1998	C200B	
Seal (Outer)	.....	710245
Cone (Outer)	.....	32306C
Kwik Slv (Opt Rpr)	.....	KWK99166
2002-1998	H233BS	
Bearing Assembly (Inne)	.....	32308
Seal (Outer)	.....	710245
Cone (Outer)	.....	32306C
Kwik Slv (Opt Rpr)	.....	KWK99166

### 4-SPEED AUTOMATIC TRANSMISSION

#### Torque Converter

1996-1990	(RE4R01A, RE4R03A)	
Seal	.....	224450
Kwik Slv (Opt Rpr)	.....	KWK99181

<sup>25</sup>New Item, Check For Availability

# Bearings and Seals

Mfg./Year	Model & Location	Part No	Mfg./Year	Model & Location	Part No
-----------	------------------	---------	-----------	------------------	---------

## **NISSAN - REAR WHEEL DRIVE - 240SX, 300ZX, 350Z (cont.)**

### **4-SPEED AUTOMATIC TRANSMISSION**

#### **Rear Seal/Ext. Housing**

1996-1990 (E4N71B, RE4R01A, RE4R03A)  
Seal .....223801

#### **Selector Shaft Seal/Man. Shaft**

1996-1990 (RE4R01A, RE4R03A)  
Seal .....2027

### **CLUTCH**

#### **Pilot Bearing**

1996-1990 6 Cyl.  
Bushing .....PB22  
1995-1990 4 Cyl. (1.6 and larger)  
Bushing .....PB22  
1995-1990 4 Cyl. (under 1.6)  
Bushing .....PB21

#### **Release Bearing**

1997-1990 300ZX  
Bearing Only .....613015  
1996-1995 200SX SE R  
Bearing Assembly .....614047  
1996-1994 200SX  
Bearing Assembly .....614047  
1995-1990 240SX  
Bearing Only .....613015  
1993-1991 NX 1600, 2000  
Bearing Assembly .....614047  
1990 200SX  
Bearing Only .....DNE01576C

### **5-SPEED MANUAL TRANSMISSION**

#### **Transmission Rebuild Kit**

1996-1990 (FS5R30A)  
Kit .....TRKFN150  
1996-1990 (FS5W71H, FS5W71M,  
FS5W71N, FS5W71S)  
Kit .....TRKFN110

#### **Front Input Shaft**

2002-1995 (FS5W71C)  
Seal .....1981  
Kwik Slv (Opt Rpr) .....KWK99114  
2002-1990 (FS5R30A)  
Seal .....1981  
Ball Bearing .....1308L  
Kwik Slv (Opt Rpr) .....KWK99114  
1994-1990 (FS5W71A, FS5W71B,  
FS5W71C)  
Seal .....1981  
Ball Bearing .....306LO  
Kwik Slv (Opt Rpr) .....KWK99114

### **5-SPEED MANUAL TRANSMISSION**

#### **Countershaft**

2002-1990 (FS5W71A, FS5W71B,  
FS5W71C)  
Ball Bearing (Center) .....305AG  
Ball Bearing (Rr) .....204

#### **Rear Output Shaft**

2002-1990 (FS5R30A)  
Seal .....224215  
Ball Bearing .....307L  
2002-1990 (FS5W71A, FS5W71B,  
FS5W71C)  
Seal .....710324  
Ball Bearing .....306TB

#### **Extension Housing**

2002-1990 (FS5R30A)  
Ball Bearing .....307L  
2002-1990 (FS5W71A, FS5W71B,  
FS5W71C)  
Ball Bearing .....205BB

### **ALTERNATOR**

1994-1992 Mitsubishi 110 Amp.  
Ball Bearing (Drive End) .....303CC  
1994-1990 Hitachi 70 Amp.  
Ball Bearing (Drive End) .....303CC  
1994-1990 Hitachi 80 Amp.  
Ball Bearing (Drive End) .....303CC  
1994-1990 Hitachi 90 Amp.  
Ball Bearing (Drive End) .....303CC

### **DRIVESHAFT SUPPORT**

1996-1990 240SX  
Hanger Brg Assy .....HB6  
Ball Bearing .....206FF

### **CAMSHAFT SEAL**

#### **6 Cylinder**

1996-1990 2960cc/3.0L (DOHC)  
Seal .....224052[4]  
Kwik Slv (Opt Rpr) .....KWK99157[4]

### **CRANKSHAFT FRONT SEAL**

#### **4 Cylinder**

2002-1990 1998cc/2.0L, 2389cc/2.4L  
Seal .....224650  
Kwik Slv (Opt Rpr) .....KWK99181  
2001-1990 1597cc/1.6L  
Seal .....710308  
Kwik Slv (Opt Rpr) .....KWK99157

Mfg./Year	Model & Location	Part No	Mfg./Year	Model & Location	Part No
-----------	------------------	---------	-----------	------------------	---------

**NISSAN - REAR WHEEL DRIVE - 240SX, 300ZX, 350Z (cont.)**

**CRANKSHAFT FRONT SEAL**

**6 Cylinder**

2002-1990	2960cc/3.0L, 3274cc/3.3L	
Seal	.....	224052
Kwik Slv (Opt Rpr)	.....	KWK99157
2001-1995	2988cc/3.0L	
Seal	.....	710356
Kwik Slv (Opt Rpr)	.....	KWK99189

**CRANKSHAFT REAR SEAL**

**4 Cylinder**

2002-1990	2389cc/2.4L	
Seal	.....	228009
Kwik Slv (Opt Rpr)	.....	KWK99315

**CRANKSHAFT REAR SEAL (cont.)**

**4 Cylinder (cont.)**

2001-1990	1597cc/1.6L, 1598cc/1.6L, 1680cc/1.7L, 1809cc/1.8L, 1974cc/2.0L, 1998cc/2.0L	
Seal Viton	.....	228410

**6 Cylinder**

2002-1990	3274cc/3.3L	
Seal Viton	.....	228410
2001-1995	2988cc/3.0L	
Seal Viton	.....	710363
1995-1990	2960cc/3.0L	
Seal Viton	.....	228410

**NISSAN TRUCK - MINIVAN, PICKUP, SUV - Armada, Frontier, D21-Hardbody, Murano, Pathfinder, Quest, Titan, Van, Xterra**

**FRONT WHEEL**

**2WD**

2006	Quest	
Hub Assembly	.....	HA590046[2] <sup>25</sup>
2006-2005	Xterra	
Hub Assembly	.....	SP450702[2] <sup>76</sup>
2006-2004	Titan PU	
Hub Assembly	.....	SP500701[2] <sup>76</sup>
2005	Frontier	
Hub Assembly	.....	SP450702[2] <sup>76</sup>
2005	Pathfinder (Exc. Armada)	
Hub Assembly	.....	SP450702[2] <sup>76</sup>
2005-2004	Armada	
Hub Assembly	.....	SP500701[2] <sup>76</sup>
2005-2003	Murano, Quest	
Hub Assembly	.....	HA590046[2] <sup>25</sup>
2004-2000	Frontier (6 Cyl.)	
Seal (Inner)	.....	710072[2]
Set (Inner)	.....	SET37[2]
Cone/Cup (Outer)	.....	LM300849-LM300811[2]
2004-2000	Xterra	
Seal (Inner)	.....	710073[2]
Set (Inner)	.....	SET37[2]
Cone/Cup (Outer)	.....	LM300848-LM300811[2]
2004-1998	Frontier (4 Cyl.)	
Seal (Inner)	.....	710073[2]
Set (Inner)	.....	SET5[2]
Set (Outer)	.....	SET3[2]
2004-1990	Pathfinder (Exc. Armada)	
Seal (Inner)	.....	710072[2]
Set (Inner)	.....	SET37[2]
Cone/Cup (Outer)	.....	LM300849-LM300811[2]
2002-1993	Quest	
Ball Bearing	.....	510028[2]
1997-1990	D21 Hardbody	
Seal (Inner)	.....	710073[2]
Set (Inner)	.....	SET5[2]
Set (Outer)	.....	SET3[2]

**FRONT WHEEL**

**4WD/AWD**

2006-2005	Xterra	
Hub Assembly	.....	SP450701[2] <sup>76</sup>
2006-2004	Titan PU	
Hub Assembly	.....	SP500701[2] <sup>76</sup>
2005	Frontier	
Hub Assembly	.....	SP450701[2] <sup>76</sup>
2005	Pathfinder (Exc. Armada)	
Hub Assembly	.....	SP450701[2] <sup>76</sup>
2005-2004	Armada	
Hub Assembly	.....	SP500701[2] <sup>76</sup>
2004-2000	Frontier (4 Cyl.)	
Set (Inner)	.....	SET5[2]
Set (Outer)	.....	SET3[2]
2004-2000	Frontier (6 Cyl.)	
Seal (Inner)	.....	710072[2]
Set (Inner)	.....	SET37[2]
Cone/Cup (Outer)	.....	LM300849-LM300811[2]
2004-2000	Xterra	
Seal (Inner)	.....	710072[2]
Set (Inner)	.....	SET37[2]
Cone/Cup (Outer)	.....	LM300849-LM300811[2]
2004-1990	Pathfinder (Exc. Armada)	
Seal (Inner)	.....	710072[2]
Set (Inner)	.....	SET37[2]
Cone/Cup (Outer)	.....	LM300849-LM300811[2]
1999-1998	Frontier	
Seal (Inner)	.....	710072[2]
Set (Inner)	.....	SET37[2]
Cone/Cup (Outer)	.....	LM300849-LM300811[2]
1997-1990	D21 Hardbody (4WD)	
Seal (Inner)	.....	710072[2]
Set (Inner)	.....	SET37[2]
Cone/Cup (Outer)	.....	LM300849-LM300811[2]

**REAR WHEEL**

2006-2004	Quest	
Hub Assembly	.....	HA590109[2] <sup>25</sup>

<sup>25</sup>New Item, Check For Availability

<sup>76</sup>6 Lug. New # Check For Availability

# Bearings and Seals

Mfg./Year    Model & Location    Part No    Mfg./Year    Model & Location    Part No

## **NISSAN TRUCK - MINIVAN, PICKUP, SUV - Armada, Frontier, D21-Hardbody, Murano, Pathfinder, Quest, Titan, Van, Xterra (cont.)**

### **REAR WHEEL (cont.)**

2006-2004	Titan PU	
Set	.....	SET10[2]
2005	Pathfinder (Exc. Armada)	
Hub Assembly	.....	HA500701[2] <sup>76</sup>
2005-2004	Armada	
Hub Assembly	.....	SP500702[2] <sup>76</sup>
2005-2003	Murano (2WD)	
Hub Assembly	.....	HA590045[2] <sup>25</sup>
2005-2003	Murano (4WD)	
Hub Assembly	.....	HA590044[2] <sup>25</sup>
2004-2001	Xterra (4 Cyl.)	
Seal	.....	710305[2]
Bearing Assembly	.....	513246[2]
2004-2001	Xterra (6 Cyl.)	
Seal	.....	710176[2]
Bearing Assembly	.....	513244[2]
2004-1999	Frontier (6 Cyl.)	
Seal	.....	710176[2]
Bearing Assembly	.....	513244[2]
2004-1998	Frontier (4 Cyl.)	
Seal	.....	710305[2]
Bearing Assembly	.....	513246[2]
2004-1996	Pathfinder (Exc. Armada)	
Seal	.....	710176[2]
Bearing Assembly	.....	516005[2]
2002-1999	Quest	
Hub Assembly	.....	HA590057[2]
2000	Xterra	
Seal	.....	710305[2]
Bearing Assembly	.....	30208M[2]
1998-1993	Quest	
Ball Bearing	.....	511008[2]
1997-1990	D21 Hardbody Pickup (SRW)	
Seal (Inner)	.....	473823[2]
Bearing Assembly	.....	30208M[2]
Seal (Outer)	.....	710305[2]
1995-1990	Pathfinder (Disc Brks.)	
Seal	.....	710176[2]
Bearing Assembly	.....	513246[2]
1995-1990	Pathfinder (Drum Brks.)	
Seal (Inner)	.....	473823[2]
Bearing Assembly (Inne	.....	30208M[2]
Seal (Outer)	.....	710305[2]
1995-1990	D21 Hardbody Pickup (DRW.)	
Seal (Inner)	.....	226530[2]
Seal (Outer)	.....	223400[2]
Bearing Assembly	.....	32010X[2]

### **FRONT AXLE**

#### **Differential**

2004-1999	Xterra 2.4L	
Cone	.....	30209C[2]
2004-1999	Xterra 3.3L	
Bearing Assembly	.....	30208M
2002-1999	Frontier 3.3L	
Bearing Assembly	.....	30208M
2002-1998	Frontier 2.4L	
Cone	.....	30209C[2]

### **FRONT AXLE (cont.)**

#### **Differential (cont.)**

2002-1990	R200, R200A	
Seal	.....	223542[2]
Cone	.....	30209C[2]
Kwik Slv (Opt Rpr)	.....	KWK99139[2]
2002-1990	R180, R180A	
Seal	.....	1167S[2]
Bearing Assembly	.....	30208M
Kwik Slv (Opt Rpr)	.....	KWK99128[2]

#### **Pinion**

2004-1990	R200A	
Bearing Assembly (Inne	.....	32307
Seal (Outer)	.....	712020
Cone (Outer)	.....	32306C
Kwik Slv (Opt Rpr)	.....	KWK99157
2002-1990	R180, R180A	
Bearing Assembly (Inne	.....	32307
Seal (Outer)	.....	2011S
Bearing Assembly		
(Outer)	.....	32305
Kwik Slv (Opt Rpr)	.....	KWK99139
Ball Bearing Pilot	.....	30565

### **REAR AXLE**

#### **Differential**

2004-1990	H233, H233B, H233BS	
Cone/Cup	.....	17887-17831[2]
2002-1998	C200B	
Cone	.....	30209C[2]
2002-1990	(H190, H190A, H190B axle)	
Seal	.....	1167S[2]
Bearing Assembly	.....	30208M[2]
1998-1990	R230	
Seal	.....	710135[2]
Bearing Assembly	.....	32211M[2]
1995-1990	R180, R180A	
Seal	.....	1167S[2]
Bearing Assembly	.....	30208M[2]
1993-1990	C200, C200B	
Cone	.....	30209C[2]

#### **Pinion**

2004-1998	H233BS	
Bearing Assembly (Inne	.....	32308
Seal (Outer)	.....	710245
Cone (Outer)	.....	32306C
Kwik Slv (Opt Rpr)	.....	KWK99166
2004-1990	C200B	
Bearing Assembly (Inne	.....	32307[2]
Seal (Outer)	.....	710245
Cone (Outer)	.....	32306C
Kwik Slv (Opt Rpr)	.....	KWK99166
2002-1990	(H190, H190A, H190B axle)	
Bearing Assembly (Inne	.....	32307
Seal (Outer)	.....	1979
Bearing Assembly		
(Outer)	.....	30306M

**REAR AXLE (cont.)**

**Pinion (cont.)**

1992-1990 R180	
Bearing Assembly (Inne .....	32307
Seal (Outer) .....	1173
Bearing Assembly (Outer) .....	32305
Kwik Slv (Opt Rpr) .....	KWK99139

**TRANSFER CASE REBUILD KIT**

2002-1990 (TX10)	
Kit .....	TRKFN240

**TRANSFER CASE**

**Input Shaft**

2002-1990 (TX10, TX10A)(A/T)	
Seal .....	225035
Ball Bearing .....	306TB[2]
Kwik Slv (Opt Rpr) .....	KWK99196
2002-1990 (TX10, TX10A)(M/T)	
Seal .....	225030
Ball Bearing .....	306TB[2]
Kwik Slv (Opt Rpr) .....	KWK99196
1992-1990 (TY10A)	
Seal .....	224150

**Front Output Shaft**

2002-1990 (TX10, TX10A)	
Seal .....	710113
Ball Bearing .....	212L
1992-1990 (TY10A)	
Seal .....	226018
Kwik Slv (Opt Rpr) .....	KWK99235

**Rear Output Shaft**

2002-1990 (TX10, TX10A)	
Seal .....	224266
Ball Bearing .....	213SL
Kwik Slv (Opt Rpr) .....	KWK99166
1992-1990 (TY10A)	
Seal .....	710214

**Drive Sprocket**

2002-1990 (TX10, TX10A)	
Ball Bearing .....	208[2]

**Selector Shaft Seal/Man. Shaft**

2002-1990 (TX10, TX10A)	
Seal .....	221710
Kwik Slv (Opt Rpr) .....	KWK99068
1992-1990 (TY10, TY10A)	
Seal .....	710243
Kwik Slv (Opt Rpr) .....	KWK99098

**TRANSMISSION REBUILD KIT**

1997-1990 (FS5W71G)	
Kit .....	TRKFN190

**TRANSMISSION REBUILD KIT (cont.)**

1997-1990 (FS5R30A, FS5R30B)	
Kit .....	TRKFN150
1997-1990 (FS5W71E)	
Kit .....	TRKFN110

**4-SPEED AUTOMATIC TRANSMISSION**

**Torque Converter**

2002-1990 (RE4R01A, RL4R01A)	
Seal .....	224663
Kwik Slv (Opt Rpr) .....	KWK99181

**Rear Seal/Ext. Housing**

2002-1990 (RL4R01A)	
Seal .....	224464
2002-1990 (E4N71B, RE4R01A)	
Seal .....	223801

**Selector Shaft Seal/Man. Shaft**

2002-1990 (RE4R01A, RL4R01A)	
Seal .....	2027

**5-SPEED MANUAL TRANSMISSION**

**Transmission Rebuild Kit**

2002-1990 (FS5R30A)	
Kit .....	TRKFN150
2002-1990 (FS5W71C)	
Kit .....	TRKFN110

**Front Input Shaft**

2002-1995 (FS5W71C)	
Seal .....	1981
Kwik Slv (Opt Rpr) .....	KWK99114
2002-1990 (FS5R30A)	
Seal .....	1981
Ball Bearing .....	1308L
Kwik Slv (Opt Rpr) .....	KWK99114
1994-1990 (FS5W71A, FS5W71B, FS5W71C)	
Seal .....	1981
Ball Bearing .....	306LO
Kwik Slv (Opt Rpr) .....	KWK99114

**Countershaft**

2002-1990 (FS5W71A, FS5W71B, FS5W71C)	
Ball Bearing (Center) .....	305AG
Ball Bearing (Rr) .....	204

**Rear Output Shaft**

2002-1990 (FS5R30A)	
Seal .....	224215
Ball Bearing .....	1308L
2002-1990 (FS5W71A, FS5W71B, FS5W71C)	
Seal .....	710324
Ball Bearing .....	306TB



# Bearings and Seals

Mfg./Year    Model & Location    Part No    Mfg./Year    Model & Location    Part No

## **NISSAN TRUCK - MINIVAN, PICKUP, SUV - Armada, Frontier, D21-Hardbody, Murano, Pathfinder, Quest, Titan, Van, Xterra (cont.)**

### **5-SPEED MANUAL TRANSMISSION**

#### **Extension Housing**

2002-1990 (FS5R30A)	
Seal .....	224215
Ball Bearing .....	307L
2002-1990 (FS5W71A, FS5W71B, FS5W71C)	
Seal .....	3771
Ball Bearing .....	205BB

### **4-SPEED AUTOMATIC TRANSAXLE**

#### **Differential**

2002-1993 (RE4F04A)	
Bearing Assembly .....	32009XM[2]
1995-1990 (RL4F02A)(2WD)	
Bearing Assembly (LH) .....	30208M
Cone (RH) .....	32014
1995-1990 (RL4F02A)(4WD)	
Bearing Assembly (RH) .....	32013X

#### **Torque Converter**

2002-1990 (RL4F02A, RE4F04A)	
Seal .....	224663
Kwik Slv (Opt Rpr) .....	KWK99181

#### **Output Shaft**

2002-1993 (RE4F04A)	
Seal (LH) .....	710118
Seal (RH) .....	710124
1995-1990 (RL4F02A)(2WD)	
Seal (LH) .....	710122
Seal (RH) .....	710124
1995-1990 (RL4F02A)(4WD)	
Seal .....	226018[2]

#### **Selector Shaft Seal/Man. Shaft**

2003-1991 (RE4F04A)	
Seal .....	221207

### **5-SPEED MANUAL TRANSAXLE**

#### **Differential**

1995-1990 (RS5F50A)(2WD)	
Cone .....	A140[2]

#### **Input Shaft**

1995-1990 (RS5F50A)	
Seal .....	710119
Ball Bearing .....	108A
Kwik Slv (Opt Rpr) .....	KWK99111

### **DRIVESHAFT SUPPORT**

1997-1990 Pathfinder (4WD)	
Hanger Brg Assy .....	HB6
Ball Bearing .....	206FF
1997-1990 Hardbody Pickup (4WD)	
Hanger Brg Assy .....	HB6
Ball Bearing .....	206FF

### **DRIVESHAFT SUPPORT (cont.)**

1995-1990 Hardbody Pickup (4WD)(V6)	
Hanger Brg Assy .....	HB13
Ball Bearing .....	206FF

### **CAMSHAFT SEAL**

#### **6 Cylinder**

2002-1990 2960cc/3.0L, 3274cc/3.3L	
Seal .....	224052[2]
Kwik Slv (Opt Rpr) .....	KWK99157[2]

### **CRANKSHAFT FRONT SEAL**

#### **4 Cylinder**

2003-1990 2389cc/2.4L	
Seal .....	224650
Kwik Slv (Opt Rpr) .....	KWK99181

#### **6 Cylinder**

2004-2001 3498cc/3.5L	
Seal .....	710356
Kwik Slv (Opt Rpr) .....	KWK99189
2003-1996 3275/3.3L	
Seal .....	224052
Kwik Slv (Opt Rpr) .....	KWK99157
1998-1990 2960cc/3.0L	
Seal .....	223340

### **CRANKSHAFT REAR SEAL**

#### **4 Cylinder**

2003-1990 2389cc/2.4L	
Seal .....	228009
Kwik Slv (Opt Rpr) .....	KWK99315

#### **6 Cylinder**

2004-2001 3498cc/3.5L	
2003-1996 3275/3.3L	
Seal Viton .....	228410
1998-1990 2960cc/3.0L	
Seal Viton .....	228410

Mfg./Year	Model & Location	Part No	Mfg./Year	Model & Location	Part No
<b>OLDSMOBILE - FRONT DRIVE - Achieva, Alero</b>					

**FRONT WHEEL**

<b>2004-1999</b>	Alero	
	Hub Assembly .....	513137[2]
<b>1999-1997</b>	Cutlass Supreme, International	
	Hub Assembly .....	513137[2]
<b>1998-1992</b>	Achieva	
	Hub Assembly .....	513017K[2] <sup>61</sup>
<b>1996-1990</b>	Cutlass Supreme, International	
	Hub Assembly .....	513044[2]
<b>1991-1990</b>	Cutlass Calais, International, Quad 442	
	Hub Assembly .....	513017K[2] <sup>61</sup>

**REAR WHEEL**

<b>2004-1999</b>	Alero	
	Hub Assembly .....	512152[2]
<b>1999-1998</b>	Cutlass	
	Hub Assembly .....	512150[2]
<b>1998-1992</b>	Achieva	
	Hub Assembly .....	512001[2]
<b>1997</b>	Cutlass	
	Hub Assembly .....	512151[2]
<b>1997</b>	Cutlass Supreme (ABS)	
	Hub Assembly .....	512151[2]
<b>1996-1992</b>	Cutlass Supreme (ABS)	
	Hub Assembly .....	512004[2]
<b>1994-1990</b>	Cutlass Supreme (w/o ABS)	
	Hub Assembly .....	513018[2]
<b>1991</b>	Calais Ser. (ABS)	
	Hub Assembly .....	512001[2]
<b>1991</b>	Calais Ser. (w/o ABS)	
	Hub Assembly .....	513012[2]
<b>1991-1990</b>	Cutlass Supreme (ABS)	
	Hub Assembly .....	513042[2]
<b>1990</b>	Calais Ser. (Stabilizer bar)	
	Hub Assembly .....	512001[2]
<b>1990</b>	Calais Ser. (w/o stabilizer bar)	
	Hub Assembly .....	513012[2]

**CLUTCH**

**Release Bearing**

<b>1996-1995</b>	(5 Spd.)(Isuzu Trans.)(Hyd. piston type)	
	Hyd. Bearing Assembly .....	619006
<b>1994-1992</b>	4 Cyl. 2.3 (DOHC)(T550 Trans.)(Hyd. piston type)(5 Spd.)	
	Hyd. Bearing Assembly .....	619005
<b>1994-1992</b>	4 Cyl. 2.3 (SOHC)(5 Spd.)(Isuzu Trans.)	
	Bearing Assembly .....	614108
<b>1994-1992</b>	Quad4 (5 Spd.)(Isuzu Trans.)	
	Bearing Assembly .....	614108
<b>1992-1991</b>	3.4 V6 (5 Spd.)(Isuzu Trans.)	
	Bearing Assembly .....	614108
<b>1992-1990</b>	Quad4 (5 Spd.)(Muncie Trans.)	
	Bearing Assembly .....	614069
<b>1992-1990</b>	4 Cyl. (w/o Quad4)(5 Spd.)	
	Bearing Assembly .....	614108
<b>1990</b>	6 Cyl. (5 Spd.)	
	Bearing Assembly .....	614069

**3-SPEED AUTOMATIC TRANSAXLE**

**Torque Converter**

<b>1996-1990</b>	(HM3T40)	
	Seal .....	4072N
<b>1996-1990</b>	(THM125)	
	Seal .....	4072N

**Output Shaft**

<b>1996-1990</b>	(THM125)(3T40)	
	Seal .....	3543[2]
	Kwik Slv (Opt Rpr) .....	KWK99139[2]

**Selector Shaft Seal/Man. Shaft**

<b>1996-1990</b>		
	Seal .....	8792S

**4-SPEED AUTOMATIC TRANSAXLE**

**Torque Converter**

<b>2002-1999</b>	(4T40E)	
	Seal .....	4072N
<b>2001-1995</b>	(4T80)	
	Seal .....	224840
	Kwik Slv (Opt Rpr) .....	KWK99189
<b>2001-1990</b>	(THM440 T4, 4T60, 4T60 E, 4T40)	
	Seal .....	4072N

**Output Shaft**

<b>2001-1997</b>	(4T65)	
	Seal (LH) .....	100165
	Seal (RH) .....	3543
	Kwik Slv (Opt Rpr) .....	KWK99139[2]
<b>2001-1995</b>	(4T80)	
	Seal (LH) .....	714679
	Seal (RH) .....	4674N
<b>1998-1990</b>	(THM440 T4, 4T60, 4T60 E)	
	Seal (LH) .....	710096
	Seal (RH) .....	3543
	Kwik Slv (Opt Rpr) .....	KWK99139[2]

**Selector Shaft Seal/Man. Shaft**

<b>2002-1990</b>		
	Seal .....	8792S

**5-SPEED MANUAL TRANSAXLE**

**Differential**

<b>1999-1991</b>	(Getrag 284)	
	Cone/Cup .....	LM503349P-LM503310P[2]
<b>1998-1990</b>	Isuzu	
	Bearing Assembly .....	32008XM
<b>1994-1992</b>	(New Process)	
	Set .....	SET11[2]
<b>1990</b>	(Getrag)	
	Set .....	SET11[2]

<sup>61</sup>Kit Incl, Seal, Hub Nut, & Brg Unit

# Bearings and Seals

Mfg./Year    Model & Location    Part No    Mfg./Year    Model & Location    Part No

## **OLDSMOBILE - FRONT DRIVE - Achieva, Alero (cont.)**

### **5-SPEED MANUAL TRANSAXLE**

#### **Input Shaft**

**1998-1995** Isuzu  
 Seal ..... 222835  
 Bearing Assembly ..... 30306M  
 Kwik Slv (Opt Rpr) ..... KWK99111  
**1994-1990** Isuzu  
 Seal ..... 222835  
 Kwik Slv (Opt Rpr) ..... KWK99111  
**1991-1990** (Getrag)  
 Ball Bearing ..... 305DD

#### **Output Shaft**

**1999-1991** (Getrag 284)  
 Seal ..... 2003N[2]  
 Kwik Slv (Opt Rpr) ..... KWK99146[2]  
 Cone/Cup (RH) ..... LM503349P-LM503310P  
 Cone/Cup (LH) ..... LM48548P-LM48510P  
**1998-1990** Isuzu  
 Seal ..... 3543[2]  
 Kwik Slv (Opt Rpr) ..... KWK99139[2]  
 Bearing Assembly (RH) ..... 32206M  
 Set (LH) ..... SET5  
**1994-1993** (New Process T550)  
 Seal ..... 3543[2]  
 Kwik Slv (Opt Rpr) ..... KWK99139[2]  
**1991-1990** (Getrag)  
 Seal ..... 3543[2]  
 Kwik Slv (Opt Rpr) ..... KWK99139[2]

#### **Selector Shaft Seal/Man. Shaft**

**1998-1990**  
 Seal ..... 3667

### **POWER STEERING**

#### **Pump Shaft**

**2001-1992**  
 Seal ..... 7013S  
**1991-1990** (integral reservoir)  
 Seal ..... 221925  
 Ball Bearing ..... 203FF

#### **Worm Shaft**

**1990**  
 Seal ..... 222510

### **CRANKSHAFT FRONT SEAL**

#### **4 Cylinder**

**2004-2002** 134/2.2L  
 Seal ..... 9845  
 Kwik Slv (Opt Rpr) ..... KWK99176  
**2001-1990** 138/2.3L, 146/2.4L  
 Seal Viton ..... 320259  
 Kwik Slv (Opt Rpr) ..... KWK99199  
**1996-1990** 112/1.8L, 121/2.0L, 134/2.2L,  
 151/2.5L  
 Seal ..... 9845  
 Kwik Slv (Opt Rpr) ..... KWK99176  
 Harmonic Balancer Slv ..... 88176

#### **6 Cylinder**

**2004-1990** 173/2.8L, 189/3.1L, 207/3.4L  
 Seal ..... 9845  
 Kwik Slv (Opt Rpr) ..... KWK99176  
**1993-1990** 181/3.0L, 204/3.3L  
 Seal Viton ..... 710162  
 Kwik Slv (Opt Rpr) ..... KWK99193

### **CRANKSHAFT REAR SEAL**

#### **4 Cylinder**

**2004-2002** 134/2.2L  
 Seal ..... 4307V  
 Seal PTFE H/D Opt ..... 5273  
 Kwik Slv (Opt Rpr) ..... KWK99298  
**2001-1990** 138/2.3L, 146/2.4L  
 Seal ..... 40375  
**1996-1993** 134/2.2L  
 Seal ..... 4307V  
 Kwik Slv (Opt Rpr) ..... KWK99298  
 Seal PTFE H/D Opt ..... 5273  
**1992-1990** 151/2.5L  
 Seal ..... 3698

#### **6 Cylinder**

**2004-1990** 173/2.8L, 189/3.1L, 207/3.4L  
 Seal ..... 4307V  
 Seal PTFE H/D Opt ..... 5273  
 Kwik Slv (Opt Rpr) ..... KWK99298  
**1998-1990** 204/3.3L, 231/3.8L  
 Seal Viton ..... 320691  
 Kwik Slv (Opt Rpr) ..... KWK99328  
**1998-1990** 173/2.8L (2nd design)  
 Seal ..... 4307V  
 Seal PTFE H/D Opt ..... 5273  
 Kwik Slv (Opt Rpr) ..... KWK99298  
**1993-1990** 204/3.3L, 231/3.8L  
 Seal Viton ..... 320691  
 Kwik Slv (Opt Rpr) ..... KWK99328  
**1990** 181/3.0L, 231/3.8L, 252/4.0L  
 Seal ..... 5591  
 Seal PTFE H/D Opt ..... 5291

Mfg./Year	Model & Location	Part No	Mfg./Year	Model & Location	Part No
-----------	------------------	---------	-----------	------------------	---------

---

**OLDSMOBILE - FRONT DRIVE - Aurora**

---

**FRONT WHEEL**

2003-2001 (2nd Design)	
Hub Assembly .....	513179[2] <sup>73</sup>
2001-1997 (1st Design)	
Hub Assembly .....	513121[2] <sup>72</sup>
1996-1995	
Hub Assembly .....	513087[2] <sup>45</sup>

**REAR WHEEL**

2003-1995	
Hub Assembly .....	512003[2]

**4-SPEED AUTOMATIC TRANSAXLE**

**Torque Convertor**

2002-2001 (4T65)	
Seal .....	4072N
2002-1995 (4T80 E)	
Seal .....	224840
Kwik Slv (Opt Rpr) .....	KWK99189

**Output Shaft**

2002-1995	
Seal (LH) .....	714679
Seal (RH) .....	4674N
Kwik Slv (Opt Rpr) .....	KWK99139[2]

**4-SPEED AUTOMATIC TRANSAXLE**

**Selector Shaft Seal/Man. Shaft**

2002-1995	
Seal .....	8792S
Kwik Slv (Opt Rpr) .....	KWK99050

**POWER STEERING**

**Pump Shaft**

2001-1995	
Ball Bearing .....	203FF

**CRANKSHAFT FRONT SEAL**

**6 Cylinder**

2002-2001 212/3.5L	
Seal .....	470163

**8 Cylinder**

2002-1995 244/4.0L	
Seal Viton .....	710263

**CRANKSHAFT REAR SEAL**

**8 Cylinder**

2003-1995 244/4.0L	
Seal Viton .....	710262

---

**OLDSMOBILE - FRONT DRIVE - Cutlass Ciera, Cutlass Cruiser**

---

**FRONT WHEEL**

1996-1994	
Hub Assembly .....	513087[2] <sup>45</sup>
1993-1990	
Hub Assembly .....	513016K[2] <sup>61</sup>

**REAR WHEEL**

1996-1994	
Hub Assembly .....	512078[2]
1993-1990	
Hub Assembly .....	513018[2]

**CLUTCH**

**Release Bearing**

1993-1992 Quad4 (5 Spd.)(Isuzu Trans.)	
Bearing Assembly .....	614108
1992-1990 Quad4 (5 Spd.)(Muncie Trans.)	
Bearing Assembly .....	614069
1992-1990 6 Cyl. (5 Spd.)	
Bearing Assembly .....	614069
1992-1990 4 Cyl. (w/o Quad4)(5 Spd.)	
Bearing Assembly .....	614108

**3-SPEED AUTOMATIC TRANSAXLE**

**Torque Converter**

1996-1990	
Seal .....	4072N

**Output Shaft**

1990	
Seal .....	3543[2]
Kwik Slv (Opt Rpr) .....	KWK99138[2]

**Selector Shaft Seal/Man. Shaft**

1996-1990	
Seal .....	340847

**4-SPEED AUTOMATIC TRANSAXLE**

**Torque Converter**

1996-1994	
Seal .....	4072N

**Output Shaft**

1996-1994	
Seal (Pass Side) .....	100165
Seal (Driver Side) .....	710096
Kwik Slv (Opt Rpr) .....	KWK99139[2]

<sup>45</sup>Brg Flg Has Non-Threaded Mtg Holes      <sup>61</sup>Kit Incl, Seal, Hub Nut, & Brg Unit      <sup>72</sup>Stainless Steel

Sensor Wire Clip      <sup>73</sup>Plastic Sensor Wire Clip

# Bearings and Seals

Mfg./Year	Model & Location	Part No	Mfg./Year	Model & Location	Part No
-----------	------------------	---------	-----------	------------------	---------

## **OLDSMOBILE - FRONT DRIVE - Cutlass Ciera, Cutlass Cruiser (cont.)**

### **4-SPEED AUTOMATIC TRANSAXLE**

#### **Selector Shaft Seal/Man. Shaft**

<b>1996-1994</b>	
Seal .....	340847
Kwik Slv (Opt Rpr) .....	KWK99049

### **POWER STEERING**

#### **Pump Shaft**

<b>1996-1990</b>	
Seal .....	480821

### **CRANKSHAFT FRONT SEAL**

#### **4 Cylinder**

<b>1996-1990</b>	134/2.2L, 151/2.5L
Seal .....	9845
Kwik Slv (Opt Rpr) .....	KWK99176

#### **6 Cylinder**

<b>1996-1990</b>	173/2.8L, 189/3.1L
Seal .....	9845
Kwik Slv (Opt Rpr) .....	KWK99176
<b>1993-1990</b>	204/3.3L, 231/3.8L
Seal Viton .....	710162
Kwik Slv (Opt Rpr) .....	KWK99193

### **CRANKSHAFT REAR SEAL**

#### **4 Cylinder**

<b>1996-1993</b>	134/2.2L
Seal .....	4307V
Seal PTFE H/D Opt .....	5273
Kwik Slv (Opt Rpr) .....	KWK99298
<b>1992-1990</b>	151/2.5L
Seal .....	3698

#### **6 Cylinder**

<b>1996-1990</b>	173/2.8L, 189/3.1L
Seal .....	4307V
Seal PTFE H/D Opt .....	5273
Kwik Slv (Opt Rpr) .....	KWK99298
<b>1993-1990</b>	204/3.3L
Seal Viton .....	320691

## **OLDSMOBILE - FRONT DRIVE - Eighty-Eight's, Ninety-Eight's, Touring Sedan**

### **FRONT WHEEL**

<b>1999-1996</b>	
Hub Assembly .....	513121[2] <sup>72</sup>
<b>1999-1992</b>	(ABS)
Hub Assembly .....	513087[2] <sup>45</sup>
<b>1993-1992</b>	88 (w/o ABS)
Hub Assembly .....	513088[2]
<b>1991</b>	88, 98 (ABS)
Hub Assembly .....	513016K[2] <sup>61</sup>
<b>1991-1990</b>	88, 98 (w/o ABS)
Hub Assembly .....	513016K[2] <sup>61</sup>
<b>1990</b>	88, 98, Touring Sedan (ABS)
Hub Assembly .....	513016K[2] <sup>61</sup>

### **REAR WHEEL**

<b>1999-1994</b>	
Hub Assembly .....	513062[2]
<b>1993-1992</b>	88 (w/o ABS)
Hub Assembly .....	513018[2]
<b>1993-1991</b>	88, 98 (ABS)
Hub Assembly .....	513062[2]
<b>1991-1990</b>	88, 98 (w/o ABS)
Hub Assembly .....	513018[2]
<b>1990</b>	88, 98, Touring Sedan (ABS)
Hub Assembly .....	513041[2]

### **4-SPEED AUTOMATIC TRANSAXLE**

#### **Torque Converter**

<b>1999-1990</b>	
Seal .....	4072N

#### **Output Shaft**

<b>1999-1990</b>	
Seal (LH) .....	710096
Seal (RH) .....	3543
Kwik Slv (Opt Rpr) .....	KWK99139[2]

#### **Selector Shaft Seal/Man. Shaft**

<b>1999-1990</b>	
Seal .....	8792S

### **POWER STEERING**

#### **Pump Shaft**

<b>1999-1990</b>	
Seal .....	480821

#### **Worm Shaft**

<b>1999-1990</b>	
Seal .....	222510

**OLDSMOBILE - FRONT DRIVE - Eighty-Eight's, Ninety-Eight's, Touring Sedan (cont.)**

**CRANKSHAFT FRONT SEAL**

**6 Cylinder**

1999-1990	
Seal Viton .....	710162
Kwik Slv (Opt Rpr) .....	KWK99193

**CRANKSHAFT REAR SEAL**

**6 Cylinder**

1999-1991	
Seal Viton .....	320691
Kwik Slv (Opt Rpr) .....	KWK99328
<b>1990</b>	
Seal .....	5591
Seal PTFE H/D Opt .....	5291

**OLDSMOBILE - FRONT DRIVE - Intrigue**

**FRONT WHEEL**

2002-2001 (2nd Design)	
Hub Assembly .....	513179[2] <sup>73</sup>
2001-1998 (1st Design)	
Hub Assembly .....	513121[2] <sup>72</sup>

**REAR WHEEL**

2002-1998	
Hub Assembly .....	512150[2]

**4-SPEED AUTOMATIC TRANSAXLE**

**Torque Convertor**

2002-1998	
Seal .....	4072N

**Output Shaft**

2002-1998	
Seal (LH) .....	100165
Seal (RH) .....	3543
Kwik Slv (Opt Rpr) .....	KWK99139[2]

**Selector Shaft Seal/Man. Shaft**

2002-1998	
Seal .....	8792S
Kwik Slv (Opt Rpr) .....	KWK99050

**POWER STEERING**

**Pump Shaft**

2002-1999 212/3.5L	
Seal .....	7013S
Ball Bearing .....	203FF
1999-1998 231/3.8L	
Seal .....	7013S

**CRANKSHAFT FRONT SEAL**

**6 Cylinder**

2002-1999 212/3.5L	
Seal .....	470163
1999-1998 231/3.8L	
Seal Viton .....	710162
Kwik Slv (Opt Rpr) .....	KWK99193

**CRANKSHAFT REAR SEAL**

**6 Cylinder**

1999-1998 231/3.8L	
Seal Viton .....	320691
Kwik Slv (Opt Rpr) .....	KWK99328

**OLDSMOBILE - FRONT DRIVE - Toronado, Toronado Trofeo**

**FRONT WHEEL**

1992	
Hub Assembly .....	513087[2] <sup>45</sup>
1991-1990	
Hub Assembly .....	513059[2]

**REAR WHEEL**

1992	
Hub Assembly .....	512003[2]
1991 (ABS)	
Hub Assembly .....	512003[2]
1990 (ABS)	
Hub Assembly .....	513041[2]
1990 (w/o ABS)	
Hub Assembly .....	513018[2]

**3-SPEED AUTOMATIC TRANSAXLE**

**Torque Converter**

1992-1990	
Seal .....	4072N

<sup>45</sup>Brg Flg Has Non-Threaded Mtg Holes  
Clip

<sup>72</sup>Stainless Steel Sensor Wire Clip

<sup>73</sup>Plastic Sensor Wire

# Bearings and Seals

Mfg./Year    Model & Location    Part No    Mfg./Year    Model & Location    Part No

## **OLDSMOBILE - FRONT DRIVE - Toronado, Toronado Trofeo (cont.)**

### **3-SPEED AUTOMATIC TRANSAXLE**

#### **Output Shaft**

1992-1990  
 Seal (LH) ..... 710096  
 Kwik Slv (Opt Rpr) .....KWK99139  
 Seal (RH) ..... 3543  
 Kwik Slv (Opt Rpr) .....KWK99138

#### **Selector Shaft Seal/Man. Shaft**

1992-1990  
 Seal .....340847  
 Kwik Slv (Opt Rpr) .....KWK99050

### **4-SPEED AUTOMATIC TRANSAXLE**

#### **Torque Converter**

1992-1990  
 Seal ..... 4072N

#### **Output Shaft**

1992-1990  
 Seal (Pass Side) ..... 3543  
 Seal (Driver Side) .....710096

#### **Selector Shaft Seal/Man. Shaft**

1992-1990  
 Seal .....8792S

### **ALTERNATOR**

1992-1990  
 Ball Bearing (Drive End) .....203FF  
 Ball Bearing (Rear End) ..... 100CCAB

### **POWER STEERING**

#### **Pump Shaft**

1992  
 Seal .....7013S  
 Ball Bearing .....203FF  
 1991-1990  
 Seal .....22192S  
 Ball Bearing .....203FF

### **CRANKSHAFT FRONT SEAL**

#### **6 Cylinder**

1992-1990 231/3.8L  
 Seal Viton ..... 710162  
 Kwik Slv (Opt Rpr) .....KWK99193

### **CRANKSHAFT REAR SEAL**

#### **6 Cylinder**

1992-1991 231/3.8L  
 Seal Viton ..... 320691  
 Kwik Slv (Opt Rpr) .....KWK99328  
 1990  
 Seal .....5591  
 Seal PTFE H/D Opt ..... 5291

## **OLDSMOBILE - REAR DRIVE - Cruiser Wagon**

### **FRONT WHEEL**

1992-1991  
 Seal (Inner) .....4739[2]  
 Set (Inner) .....SET6[2]  
 Set (Outer) .....SET3[2]  
 1990  
 Seal (Inner) .....8871[2]  
 Set (Inner) .....SET6[2]  
 Set (Outer) .....SET3[2]

### **REAR WHEEL**

1992-1990 (8.875" R.G.)  
 Seal .....8660S[2]  
 Cylindrical Bearing ..... 5707[2]  
 Kit .....TRP1563TAV[2]<sup>19</sup>  
 1990 (8.5" R.G.)(Wagon)  
 Seal .....8835S[2]  
 Cylindrical Bearing ..... 6408[2]  
 Kit .....TRP1559TV[2]<sup>19</sup>  
 1990 (8.75" R.G.)(Wagon)  
 Seal .....8835S[2]  
 Cylindrical Bearing ..... 6408[2]  
 Kit .....TRP1559TV[2]<sup>19</sup>

### **REAR AXLE**

#### **Differential Rebuild Kit**

1996-1990 (8.5" R.G.)  
 Kit .....DRK321  
 1990 (7.5" R.G.)  
 Kit .....DRK320

#### **Differential**

1996-1990 (B, C, G, K, O axle)  
 Cone/Cup ..... LM501349-LM501314[2]

#### **Pinion**

1996-1990 (8.5" R.G.)  
 Cone/Cup (Inner) ..... M802048-M802011  
 Seal (Outer) .....2043  
 Cone/Cup (Outer) ..... M88048-M88010

Mfg./Year	Model & Location	Part No	Mfg./Year	Model & Location	Part No
-----------	------------------	---------	-----------	------------------	---------

**OLDSMOBILE - REAR DRIVE - Cruiser Wagon (cont.)**

**4-SPEED AUTOMATIC TRANSMISSION**

**Torque Converter**

1992-1990	
Seal .....	3227
Kwik Slv (Opt Rpr) .....	KWK99174

**Rear Seal/Ext. Housing**

1992-1990	
Seal .....	9613S
Kwik Slv (Opt Rpr) .....	KWK99149
Seal Kit .....	5200 <sup>64</sup>

**POWER STEERING**

**Pitman Shaft**

1992-1990	
Seal Kit .....	PSK1 <sup>24</sup>

**Pump Shaft**

1992-1990 (Saginaw)	
Seal .....	7013S

**CRANKSHAFT FRONT SEAL**

**8 Cylinder**

1992-1991	
Seal .....	9845
Kwik Slv (Opt Rpr) .....	KWK99176
Harmonic Balancer Slv .....	88176
1990	
Seal .....	472082
Kwik Slv (Opt Rpr) .....	KWK99199
Harmonic Balancer Slv .....	88199

**CRANKSHAFT REAR SEAL**

**8 Cylinder**

1992-1991	305/5.0L	
Seal Viton .....		4359V
Seal PTFE H/D Opt .....		5274
Kwik Slv (Opt Rpr) .....		KWK99364
1990	307/5.0L	
Seal .....		5419

**OLDSMOBILE TRUCK - MINIVAN, SUV - Bravada**

**FRONT WHEEL**

2004-2002	
Hub Assembly .....	513188[2]
2001-1997 (ABS)	
Hub Assembly .....	513124[2]
1996-1992	
Hub Assembly .....	513087[2] <sup>45</sup>
1991	
Hub Assembly .....	513016K[2] <sup>61</sup>
Seal Kit .....	5698[2] <sup>12</sup>

**4WD/AWD**

2004-2002	
Hub Assembly .....	513188[2]
2001-1997 (ABS)	
Hub Assembly .....	513124[2]
1996-1991 (ABS)	
Hub Assembly .....	513061[2]

**REAR WHEEL**

2004-2003	
Seal .....	4762N[2]
Cylindrical Bearing .....	513067[2]
2002 (All Other Axle)	
Seal .....	4762N[2]
Cylindrical Bearing .....	5707[2]
Kit .....	TRP1563TAV[2] <sup>19</sup>
2002-1992 (Axle code K)	
Seal .....	8660S[2]
Cylindrical Bearing .....	5707[2]
Kit .....	TRP1563TAV[2] <sup>19</sup>
2002-1991 (Axle code C)	
Seal .....	710166[2]
Cylindrical Bearing .....	5707[2]
Kit .....	TRP1563TAV[2] <sup>19</sup>

**4WD FRONT AXLE**

**Axle Shaft**

2001-1998	
Needle Bearing .....	HK4012
1997-1996 (4WD)	
Seal .....	223255[2]
Needle Bearing .....	B2010
1997-1996 (AWD)	
Needle Bearing .....	HK4012
1994-1991	
Seal .....	223255[2]
Needle Bearing .....	B2010

**Differential Rebuild Kit**

2004-1991 (7.25" R.G.)	
Kit .....	DRK320A

**Differential**

2004-1991 (7.25" R.G.)	
Set .....	SET11[2]

**Pinion**

2004-1991	
Cone/Cup (Inner) .....	M88048S-M88010
Cone/Cup (Inner) Opt .....	M88047-M88010
Seal (Outer) .....	8611N
Cone/Cup (Outer) .....	M86649-M86610

**REAR AXLE**

**Differential Rebuild Kit**

2001-1999	
Kit .....	DRK320C <sup>25</sup>

<sup>12</sup>Opt. Kit Incls Seal & O Ring. Kit Incl w/ Hub Assy      <sup>19</sup>Opt. Axle Rpr Brg. Replaces O.E. Brg & Seal      **289**  
<sup>24</sup>Opt. Kit Incls. Seals 5683 & 5684. Not Sold Separately      <sup>25</sup>New Item, Check For Availability  
<sup>45</sup>Brg Flg Has Non-Threaded Mtg Holes      <sup>61</sup>Kit Incl, Seal, Hub Nut, & Brg Unit      <sup>64</sup>Opt. Seal & Bushing Kit



# Bearings and Seals

Mfg./Year    Model & Location    Part No    Mfg./Year    Model & Location    Part No

## **OLDSMOBILE TRUCK - MINIVAN, SUV - Bravada (cont.)**

### **REAR AXLE (cont.)**

#### **Differential Rebuild Kit (cont.)**

1998-1991  
Kit .....DRK320

#### **Differential**

2004-2002 (8.5", 8.625" R.G.)  
Set .....SET36[2]  
2004-1991 (7.5", 7.625" R.G.)  
Cone/Cup .....LM501349-LM501314[2]

#### **Pinion**

2004-2002 (8.5", 8.625" R.G.)(113" WB)  
Cone/Cup (Inner) .....NP457992-NP926068  
Seal (Outer) .....8610  
Cone/Cup (Outer) .....M86649-M86610  
2004-2002 (8.5", 8.625" R.G.)(129" WB)  
Cone/Cup (Inner) .....NP544520-NP099285  
Cone/Cup (Outer) .....M88048-M88010  
2001-1999  
Cone/Cup (Inner) .....HM89249-HM89210  
Seal (Outer) .....40006689<sup>16</sup>  
Cone/Cup (Outer) .....M86649-M86610  
1998-1991  
Cone/Cup (Inner) .....HM89249-HM89210  
Seal (Outer) .....8610  
Cone/Cup (Outer) .....M86649-M86610

### **TRANSFER CASE REBUILD KIT**

1997-1996 (Warner 4472)  
Kit .....TCRK1372  
1994-1991 (Warner 4472)  
Kit .....TCRK1372

### **TRANSFER CASE**

#### **Input Shaft**

1997-1996 (Warner 4472)  
Seal .....710062  
Ball Bearing .....109TB  
Kwik Slv (Opt Rpr) .....KWK99175  
Needle Bearing Pilot .....SCH1310  
1994-1991 (Warner 4472)  
Seal .....710062  
Ball Bearing .....109TB  
Kwik Slv (Opt Rpr) .....KWK99175  
Needle Bearing Pilot .....SCH1310

#### **Front Output Shaft**

1997-1996 (Warner 4472)  
Seal (Frt) .....714503  
Ball Bearing (Frt) .....207  
Needle Bearing Pilot .....JH1612  
1994-1991 (Warner 4472)  
Seal (Frt) .....714503  
Ball Bearing (Frt) .....207  
Needle Bearing Pilot .....JH1612

### **TRANSFER CASE**

#### **Rear Output Shaft**

1997-1996 (Warner 4472)(booted)  
Seal .....4503N  
Ball Bearing .....208SL  
1997-1996 (Warner 4472)(w/o boot)  
Seal .....714503  
Ball Bearing .....208SL  
1994-1991 (Warner 4472)(booted)  
Seal .....4503N  
Ball Bearing .....208SL  
1994-1991 (Warner 4472)(w/o boot)  
Seal .....714503  
Ball Bearing .....208SL

### **4-SPEED AUTOMATIC TRANSMISSION**

#### **Torque Converter**

2001-1993  
Seal .....4950  
Kwik Slv (Opt Rpr) .....KWK99174  
1992-1991  
Seal .....3227  
Kwik Slv (Opt Rpr) .....KWK99174

#### **Rear Seal/Ext. Housing**

2001-1991  
Seal .....9613S  
Kwik Slv (Opt Rpr) .....KWK99149  
Seal Kit .....5200<sup>64</sup>

#### **Selector Shaft Seal/Man. Shaft**

2001-1991  
Seal .....8792S  
Kwik Slv (Opt Rpr) .....KWK99050

### **DRIVESHAFT SUPPORT**

2001-1991  
Hanger Brg Assy .....HB88107A

### **CRANKSHAFT FRONT SEAL**

#### **6 Cylinder**

2001-1991 262/4.3L  
Seal .....9845  
Kwik Slv (Opt Rpr) .....KWK99176

### **CRANKSHAFT REAR SEAL**

#### **6 Cylinder**

2001-1991 262/4.3L  
Seal Viton .....4359V  
Seal PTFE H/D Opt .....5274  
Kwik Slv (Opt Rpr) .....KWK99364

Mfg./Year    Model & Location    Part No    Mfg./Year    Model & Location    Part No

---

**OLDSMOBILE TRUCK - MINIVAN, SUV - Silhouette**

---

**FRONT WHEEL**

2004-2002 (AWD)	
Hub Assembly .....	513187[2]
2004-2001 (2nd Design, 2WD)	
Hub Assembly .....	513179[2] <sup>73</sup>
2001-1997 (1st Design)	
Hub Assembly .....	513121[2] <sup>72</sup>
1996-1992	
Hub Assembly .....	513087[2] <sup>45</sup>
1991-1990 (w/o ABS)	
Hub Assembly .....	513016K[2] <sup>61</sup>

**REAR WHEEL**

2004-2002 (AWD)	
Hub Assembly .....	513121[2] <sup>72</sup>
2004-1992 (ABS)(w/o AWD)	
Hub Assembly .....	512078[2]
1991-1990 (w/o ABS)	
Hub Assembly .....	513018[2]

**3-SPEED AUTOMATIC TRANSAXLE**

**Torque Converter**

1995-1990	
Seal .....	4072N

**Output Shaft**

1995-1990	
Seal .....	3543[2]
Kwik Slv (Opt Rpr) .....	KWK99138[2]

**Selector Shaft Seal/Man. Shaft**

1995-1990	
Seal .....	8792S
Kwik Slv (Opt Rpr) .....	KWK99050

**4-SPEED AUTOMATIC TRANSAXLE**

**Torque Converter**

2002-2001 (4T65 E)	
Seal (LH) .....	100165
Kwik Slv (Opt Rpr) .....	KWK99144
2002-1992 (4T60E, 4T65E)	
Seal .....	4072N

**4-SPEED AUTOMATIC TRANSAXLE**

**Output Shaft**

2001-1992	
Seal (LH) .....	710096
Kwik Slv (Opt Rpr) .....	KWK99139
Seal (RH) .....	3543
Kwik Slv (Opt Rpr) .....	KWK99138

**Selector Shaft Seal/Man. Shaft**

2002-1992	
Seal .....	8792S
Kwik Slv (Opt Rpr) .....	KWK99050

**CRANKSHAFT FRONT SEAL**

**6 Cylinder**

2002-1996 207/3.4L	
Seal .....	9845
Kwik Slv (Opt Rpr) .....	KWK99176
1995-1992 231/3.8L	
Seal Viton .....	710162
Kwik Slv (Opt Rpr) .....	KWK99193
1995-1990 189/3.1L	
Seal .....	9845
Kwik Slv (Opt Rpr) .....	KWK99176

**CRANKSHAFT REAR SEAL**

**6 Cylinder**

2004-1990 189/3.1L, 207/3.4L	
Seal .....	4307V
Seal PTFE H/D Opt .....	5273
Kwik Slv (Opt Rpr) .....	KWK99298
1995-1992 231/3.8L	
Seal Viton .....	320691
Kwik Slv (Opt Rpr) .....	KWK99328

**PEUGEOT**

---

**FRONT WHEEL**

1992-1990 405	
Ball Bearing .....	513073[2]
1991-1990 505 (2.8L)	
Ball Bearing .....	513051[2]
1991-1990 505 (Exc. 2.8)	
Seal (Inner) .....	224520[2]
Set (Inner) .....	SET33[2]
Bearing Assembly (Outer) .....	32005X[2]

**REAR WHEEL**

1992-1990 405 (w/o ABS)	
Hub Assembly .....	512017[2]
1992-1990 505 Sedan	
Seal (Inner) .....	225460[2]
Ball Bearing (Inner) .....	513151[2]
Seal (Outer) .....	557008XX[2]

<sup>45</sup>Brg Flg Has Non-Threaded Mtg Holes  
Sensor Wire Clip

<sup>61</sup>Kit Incl, Seal, Hub Nut, & Brg Unit  
<sup>73</sup>Plastic Sensor Wire Clip

<sup>72</sup>Stainless Steel

# Bearings and Seals

Mfg./Year	Model & Location	Part No	Mfg./Year	Model & Location	Part No
-----------	------------------	---------	-----------	------------------	---------

## PEUGEOT (cont.)

### REAR AXLE

#### Differential

1992-1990 504, 505, 604  
Set ..... SET37[2]

### CLUTCH

#### Pilot Bearing

1990 4 Cyl. 2.5 (Turbo Diesel)  
Ball Bearing ..... 103CC  
1990 4 Cyl. (Gas Turbo)  
Ball Bearing ..... 103CC  
1990 4 Cyl. (w/o Gas Turbo)  
Bushing ..... PB38<sup>16</sup>  
1990 4 Cyl. (w/o Turbo Diesel)  
Bushing ..... PB38<sup>16</sup>

### CLUTCH (cont.)

#### Pilot Bearing (cont.)

1990 4 Cyl. 2.2 (Turbo Diesel)  
Bushing ..... PB38<sup>16</sup>

### ALTERNATOR

1991-1990 (Motorola 70 Amp.)  
Ball Bearing (Drive End) ..... 203FF  
Ball Bearing (Rear End) ..... 200CC

## PLYMOUTH - FRONT DRIVE - Acclaim, Sundance

### FRONT WHEEL

1995-1991 Acclaim, Sundance  
Hub Assembly ..... 513075[2]  
1991-1990 Acclaim Sundance (4 Lug Whl.)  
Seal ..... 5604[2]<sup>56</sup>  
Ball Bearing ..... 513006[2]  
Hub Assembly ..... 518501[2]<sup>62</sup>  
1991-1990 Reliant Caravelle Acclaim  
Sundance (5 Lug Whl.)  
Seal ..... 5604[2]<sup>56</sup>  
Ball Bearing ..... 513006[2]  
Hub Assembly ..... 518502[2]<sup>62</sup>

### REAR WHEEL

1995-1990  
Seal (Inner) ..... 4099[2]  
Set (Inner) ..... SET46[2]  
Set (Outer) ..... SET16[2]

### CLUTCH

#### Release Bearing

1995-1990 4 Cyl.  
Bearing Assembly ..... 614092  
1994-1991 6 Cyl. 3.0, 3.2  
Bearing Assembly ..... 614092

### 3-SPEED AUTOMATIC TRANSAXLE

#### Torque Converter

1995-1990  
Seal ..... 331228H  
Kwik Slv (Opt Rpr) ..... KWK99149

#### Transfer Shaft

1995-1990 (A404, A413, A470, A670,  
31TH)  
Set ..... SET11[2]

### 3-SPEED AUTOMATIC TRANSAXLE

#### Output Shaft

1991-1990 (A404, A413, A470, A670)  
Set ..... SET17[2]

#### Differential

1995-1990 (A404, A413, A470, A670,  
31TH)  
Seal ..... 3459S[2]  
Set ..... SET11[2]  
Kwik Slv (Opt Rpr) ..... KWK99157[2]

#### Selector Shaft Seal/Man. Shaft

1995-1990 (A404, A413, A470, A670,  
31TH)  
Seal ..... 8609

### 4-SPEED AUTOMATIC TRANSAXLE

#### Differential

1995-1990 (A604, 41TE)  
Seal ..... 3459S[2]  
Set ..... SET11[2]  
Kwik Slv (Opt Rpr) ..... KWK99157[2]

#### Torque Converter

1995-1990 (A604, 41TE)  
Seal ..... 331228H  
Kwik Slv (Opt Rpr) ..... KWK99149

#### Transfer Shaft

1995-1992 (41TE)  
Set (RH) ..... SET45  
1991-1990 (A604)  
Set ..... SET11[2]

Mfg./Year	Model & Location	Part No	Mfg./Year	Model & Location	Part No
<b>PLYMOUTH - FRONT DRIVE - Acclaim, Sundance (cont.)</b>					

**4-SPEED AUTOMATIC TRANSAXLE**  
**Output Shaft**

1991-1990 (A604)  
Set ..... SET17[2]

**Selector Shaft Seal/Man. Shaft**  
1995-1990 (A604, 41TE)  
Seal .....8609

**5-SPEED MANUAL TRANSAXLE**  
**Differential**

1995-1990 (A465, A520, A523, A525, A543, A555, A568)  
Seal .....3459S[2]  
Set ..... SET11[2]  
Kwik Slv (Opt Rpr) .....KWK99157[2]

**Input Shaft**  
1995-1990 (A465, A520, A523, A525, A543, A555, A568)  
Seal (Frnt) .....3732S  
Set (Frnt) ..... SET4  
Kwik Slv (Opt Rpr) .....KWK99106  
Set (Rr) ..... SET5

**Selector Shaft Seal/Man. Shaft**  
1995-1990 (A465, A520, A523, A525, A543, A555, A568)  
Seal .....3816

**CAMSHAFT SEAL**  
**4 Cylinder**  
1995-1990 135/2.2L, 153/2.5L  
Seal .....3655S  
Kwik Slv (Opt Rpr) .....KWK99139

**CAMSHAFT SEAL**  
**6 Cylinder**  
1995-1990 181/3.0L  
Seal .....3771[2]  
Kwik Slv (Opt Rpr) .....KWK99139[2]

**INTERMEDIATE SHAFT**  
**4 Cylinder**  
1995-1990 135/2.2L, 153/2.5L  
Seal .....3655S

**CRANKSHAFT FRONT SEAL**  
**4 Cylinder**  
1995-1990 135/2.2L, 153/2.5L  
Seal .....3638  
Kwik Slv (Opt Rpr) .....KWK99112

**6 Cylinder**  
1995-1990 181/3.0L  
Seal .....223750

**CRANKSHAFT REAR SEAL**  
**4 Cylinder**  
1994-1990 135/2.2L, 153/2.5L  
Seal Viton ..... 710056  
Seal PTFE H/D Opt ..... 5279

**6 Cylinder**  
1995-1990 181/3.0L  
Seal Viton ..... 710056  
Seal PTFE H/D ..... 5279

**PLYMOUTH - FRONT DRIVE - Breeze**

**FRONT WHEEL**  
2000-1996  
Hub Assembly .....513138[2]

**REAR WHEEL**  
2000-1998 (ABS)  
Hub Assembly .....512220[2]  
2000-1996 (w/o ABS)  
Hub Assembly .....512154[2]  
1997-1996 (ABS)  
Hub Assembly .....512133[2]

**CLUTCH**  
**Release Bearing**  
2000-1996  
Bearing Assembly .....614121

**4-SPEED AUTOMATIC TRANSAXLE**  
**Differential**  
2000-1997 (A604 41TE)(Prod. from mid 1997 on)  
Cone/Cup (LH) ..... NP889967-NP714580  
Cone/Cup (RH) .....NP952605-JL69310P  
1997-1996 (A604 41TE)(Prod. thru mid 1997)  
Cone/Cup (LH) ..... NP889967-NP714580  
Cone/Cup (RH) ..... JL69348-JL69310

# Bearings and Seals

Mfg./Year	Model & Location	Part No	Mfg./Year	Model & Location	Part No
-----------	------------------	---------	-----------	------------------	---------

## PLYMOUTH - FRONT DRIVE - Breeze (cont.)

### 4-SPEED AUTOMATIC TRANSAXLE

#### Torque Converter

2000-1996	
Seal	331228H
Kwik Slv (Opt Rpr)	KWK99149

#### Transfer Shaft

2000-1996	(A604, 41TE)
Cone/Cup (Inner)	NP853895-NP352518
Set (Outer)	SET45

#### Output Shaft

2000-1997	(A604 41TE)(Prod. from mid 1997 on)
Cone/Cup (Outer)	LM300848-LM300911
Cone/Cup (Inner)	NP952605-JL69310P
1997-1996	(A604 41TE)(Prod. thru mid 1997)
Cone/Cup (Outer)	LM300848-LM300811
Cone/Cup (Inner)	JL69348-JL69310

#### Selector Shaft Seal/Man. Shaft

2000-1996	
Seal	8609

### 5-SPEED MANUAL TRANSAXLE

#### Differential

2000-1996	
Seal	3459S[2]
Set	SET11[2]
Kwik Slv (Opt Rpr)	KWK99157[2]

#### Input Shaft

2000-1996	
Seal (Frnt)	3732S
Set (Frnt)	SET4
Kwik Slv (Opt Rpr)	KWK99106
Set (Rr)	SET5

#### Selector Shaft Seal/Man. Shaft

2000-1996	
Seal	3816

### CAMSHAFT SEAL

#### 4 Cylinder

2000-1996	122/2.0L
Seal Viton	320249
Kwik Slv (Opt Rpr)	KWK99139
2000-1996	148/2.4L
Seal Viton	320249
Kwik Slv (Opt Rpr)	KWK99139

### CRANKSHAFT FRONT SEAL

#### 4 Cylinder

2000-1996	122/2.0L
Seal Viton	320348
Kwik Slv (Opt Rpr)	KWK99128
2000-1996	148/2.4L
Seal Viton	320348
Kwik Slv (Opt Rpr)	KWK99128

### CRANKSHAFT REAR SEAL

#### 4 Cylinder

2000-1996	122/2.0L
Seal Viton	710056
Seal PTFE H/D Opt	5279
2000-1996	148/2.4L
Seal Viton	710056
Seal PTFE H/D Opt	5279

## PLYMOUTH - FRONT DRIVE - Horizon

### FRONT WHEEL

1990	
Seal	5604[2] <sup>56</sup>
Ball Bearing	B39[2] <sup>62</sup>
Hub Assembly	518500[2] <sup>62</sup>

### REAR WHEEL

1990	
Seal (Inner)	4099[2]
Set (Inner)	SET46[2]
Set (Outer)	SET16[2]

### CLUTCH

#### Release Bearing

1991-1990	6 Cyl. 3.0, 3.2
Bearing Assembly	614092
1990	4 Cyl.
Bearing Assembly	614092

Mfg./Year	Model & Location	Part No	Mfg./Year	Model & Location	Part No
<b>PLYMOUTH - FRONT DRIVE - Horizon (cont.)</b>					

**3-SPEED AUTOMATIC TRANSAXLE**

**Torque Converter**

1990  
 Seal .....331228H  
 Kwik Slv (Opt Rpr) .....KWK99149

**Transfer Shaft**

1990 (A404, A413, A470, A670, 31TH)  
 Set .....SET11[2]

**Output Shaft**

1990 (A404, A413, A470, A670)  
 Set .....SET17[2]

**Differential**

1990 (A404, A413, A470, A670, 31TH)  
 Seal .....3459S[2]  
 Set .....SET11[2]  
 Kwik Slv (Opt Rpr) .....KWK99157[2]

**Selector Shaft Seal/Man. Shaft**

1990 (A404, A413, A470, A670, 31TH)  
 Seal .....8609

**5-SPEED MANUAL TRANSAXLE**

**Differential**

1990  
 Seal .....3459S[2]  
 Set .....SET11[2]  
 Kwik Slv (Opt Rpr) .....KWK99157[2]

**Input Shaft**

1990  
 Seal (Frnt) .....3732S  
 Set (Frnt) .....SET4  
 Kwik Slv (Opt Rpr) .....KWK99106  
 Set (Rr) .....SET5

**5-SPEED MANUAL TRANSAXLE**

**Selector Shaft Seal/Man. Shaft**

1990  
 Seal .....3816

**CAMSHAFT SEAL**

**4 Cylinder**

1990 135/2.2L  
 Seal (Frnt) .....3655S  
 Kwik Slv (Opt Rpr) .....KWK99139

**CRANKSHAFT FRONT SEAL**

**4 Cylinder**

1990 135/2.2L  
 Seal .....3638  
 Kwik Slv (Opt Rpr) .....KWK99112

**CRANKSHAFT REAR SEAL**

**4 Cylinder**

1990 135/2.2L  
 Seal Viton .....710056  
 Seal PTFE H/D Opt .....5279

**PLYMOUTH - FRONT DRIVE - Neon**

**FRONT WHEEL**

2001-2000  
 Ball Bearing .....510057[2]  
 1999-1995  
 Ball Bearing .....510032[2]  
 Hub Assembly 4 Studs .....HA590181K[2]  
 Hub Assembly 5 Studs .....HA590182K[2]

**REAR WHEEL**

2001-2000  
 Hub Assembly .....512167[2]  
 1999-1998  
 Hub Assembly .....512013[2]

**REAR WHEEL (cont.)**

1997-1996  
 Hub Assembly .....512023[2]  
 1995 (4 Lug Whl)  
 Hub Assembly .....512021[2]  
 1995 (5 Lug Whl)  
 Hub Assembly .....512023[2]

**CLUTCH**

**Release Bearing**

2002-1995  
 Bearing Assembly .....614121

# Bearings and Seals

Mfg./Year    Model & Location    Part No    Mfg./Year    Model & Location    Part No

## **PLYMOUTH - FRONT DRIVE - Neon (cont.)**

### **3-SPEED AUTOMATIC TRANSAXLE**

#### **Torque Converter**

2001-1995  
 Seal ..... 331228H  
 Kwik Slv (Opt Rpr) .....KWK99149

#### **Transfer Shaft**

2000-1995 (A404 31TH)  
 Cone/Cup (LH) ..... NP952605-JL69310P  
 Cone/Cup (RH) ..... NP952605-JL69310P

#### **Output Shaft**

2000-1995 (A404 31TH)  
 Cone/Cup (LH) ..... L68149P-L68111P  
 Cone/Cup (RH) .....L68149P-L68111P

#### **Differential**

2000-1997 (A404 31TH)(Prod. from mid 1997 on)  
 Seal (LH) ..... 3459S  
 Cone/Cup (LH) ..... NP889967-NP714580  
 Seal (RH) ..... 3459S  
 Cone/Cup (RH) ..... NP952605-JL69310P  
 1997-1996 (A404 31TH)(Prod. thru mid 1997)  
 Seal (LH) ..... 3459S  
 Cone/Cup (LH) ..... NP889967-NP714580  
 Seal (RH) ..... 3459S  
 Cone/Cup (RH) ..... JL69348-JL69310  
 1995 (A404 31TH)  
 Seal (LH) ..... 3459S[2]  
 Cone/Cup (LH) ..... JL69349CP-JL69310[2]

#### **Selector Shaft Seal/Man. Shaft**

2001-1995  
 Seal .....8609

### **5-SPEED MANUAL TRANSAXLE**

#### **Differential**

2001-1996  
 Seal ..... 3459S[2]  
 Set ..... SET11[2]  
 Kwik Slv (Opt Rpr) .....KWK99157[2]

### **5-SPEED MANUAL TRANSAXLE**

#### **Input Shaft**

2001-1995  
 Seal (Frt) ..... 3732S  
 Set (Frt) ..... SET4  
 Kwik Slv (Opt Rpr) .....KWK99106  
 Set (Rr) ..... SET5

#### **Selector Shaft Seal/Man. Shaft**

2001-1996  
 Seal .....3816

### **CAMSHAFT SEAL**

#### **4 Cylinder**

2001-1995 122/2.0L  
 Seal Viton ..... 320249  
 Kwik Slv (Opt Rpr) .....KWK99139

### **CRANKSHAFT FRONT SEAL**

#### **4 Cylinder**

2001-1995 122/2.0L  
 Seal Viton ..... 320348  
 Kwik Slv (Opt Rpr) .....KWK99128

### **CRANKSHAFT REAR SEAL**

#### **4 Cylinder**

2001-1995 122/2.0L  
 Seal Viton ..... 710056  
 Seal PTFE H/D Opt ..... 5279

## **PLYMOUTH - REAR DRIVE - Prowler (See Also Chrysler 02)**

### **FRONT WHEEL**

2001-1997  
 Hub Assembly .....513123[2]

### **REAR WHEEL**

2001-1997  
 Hub Assembly .....513089[2]

### **4-SPEED AUTOMATIC TRANSAXLE**

#### **Differential**

2001-1997 (A606, 42LE)  
 Seal .....3459S[2]  
 Set ..... SET36[2]  
 Kwik Slv (Opt Rpr) .....KWK99157[2]

Mfg./Year    Model & Location    Part No    Mfg./Year    Model & Location    Part No

---

**PLYMOUTH - REAR DRIVE - Prowler (See Also Chrysler 02) (cont.)**

---

**4-SPEED AUTOMATIC TRANSAXLE**

**Torque Converter**

2001-1997  
 Seal ..... 331228H  
 Kwik Slv (Opt Rpr) .....KWK99149

**Transfer Shaft**

2001-1997 (A606, 42LE)  
 Cone/Cup (Outer) .....26131H-26334  
 Cone/Cup (Inner) ..... M802048CP-M802011AP

**Output Shaft**

2001 (A606, 42LE)  
 Cone/Cup (Outer) ..... NP952605-JL69310P  
 Cone/Cup (Inner) ..... NP117885-LM300811  
 2000-1997 (A606 42LE)(Prod. from mid 1997 on)  
 Cone/Cup (Outer) ..... NP952605-JL69310P  
 Cone/Cup (Inner) ..... LM300848-LM300811

**Selector Shaft Seal/Man. Shaft**

2001-1997  
 Seal .....8609

**CAMSHAFT SEAL**

**6 Cylinder**

2001-1997 215/3.5L  
 Seal .....714655[2]  
 Kwik Slv (Opt Rpr) .....KWK99112[2]

**CRANKSHAFT FRONT SEAL**

**6 Cylinder**

2001-1997 215/3.5L  
 Seal ..... 3638  
 Kwik Slv (Opt Rpr) .....KWK99112

**CRANKSHAFT REAR SEAL**

**6 Cylinder**

2001-1997 215/3.5L  
 Seal Viton ..... 710056  
 Seal PTFE H/D Opt ..... 5279

---

**PLYMOUTH IMPORT - see also MITSUBISHI - Colt, Laser**

---

**FRONT WHEEL**

1994-1993 Colt  
 Seal (Inner) .....8430S[2]  
 Ball Bearing (Inner) .....510016[2]  
 Seal (Outer) .....4898[2]  
 1994-1990 Laser  
 Seal (Inner) .....225450[2]  
 Ball Bearing (Inner) .....513036[2]  
 Seal (Outer) .....225230[2]  
 1992-1990 Colt  
 Seal .....229522[2]  
 Set ..... SET41[2]  
 1991-1990 Colt Vista (AWD)  
 Seal (Inner) .....225082[2]  
 Ball Bearing (Inner) .....513036[2]  
 Seal (Outer) .....225230[2]  
 1991-1990 Colt Vista  
 Seal .....229522[2]  
 Set ..... SET41[2]

**REAR WHEEL**

1994-1993 Colt (ABS)  
 Hub Assembly .....512033[2]  
 1994-1993 Colt (w/o ABS)  
 Hub Assembly .....512148[2]

**REAR WHEEL (cont.)**

1994-1992 Colt Vista  
 Hub Assembly .....512040[2]  
 1994-1992 Colt Vista (AWD)  
 Ball Bearing .....511013[2]  
 1994-1992 Laser (AWD)  
 Seal (Inner) .....710152[2]  
 Ball Bearing (Inner) .....511014[2]  
 Ball Bearing (Outer) .....511015[2]  
 1994-1990 Laser (FWD)(ABS)  
 Hub Assembly .....512011[2]<sup>81</sup>  
 1994-1990 Laser (FWD)(w/o ABS)  
 Hub Assembly .....512010[2]  
 1992-1991 Colt (Drum Brks.)  
 Seal (Inner) .....1205N[2]  
 Bearing Assembly .....516001[2]  
 1991-1990 Colt Vista  
 Seal (Inner) .....1196[2]  
 Set (Inner) ..... SET4[2]  
 Set (Outer) ..... SET1[2]  
 1991-1990 Colt Vista (AWD)  
 Seal (Inner) .....710152[2]  
 Ball Bearing (Inner) .....511014[2]  
 Ball Bearing (Outer) .....511015[2]

<sup>81</sup>Holes Exists For Tone Ring, Reuse Tone Ring From Old Unit.



# Bearings and Seals

Mfg./Year    Model & Location    Part No    Mfg./Year    Model & Location    Part No

## **PLYMOUTH IMPORT - see also MITSUBISHI - Colt, Laser (cont.)**

### **REAR WHEEL (cont.)**

<b>1990</b>	Colt (4Dr.)	
	Seal (Inner) .....	1205N[2]
	Bearing Assembly .....	513029[2]
<b>1990</b>	Colt (Disc Brks.)(2DR)	
	Seal (Inner) .....	1205N[2]
	Bearing Assembly .....	516000[2]
<b>1990</b>	Colt (Drum Brks.)(2DR)	
	Seal (Inner) .....	1205N[2]
	Bearing Assembly .....	516001[2]
<b>1990</b>	Colt Wagon (AWD)	
	Seal (Inner) .....	1955[2]

### **REAR AXLE**

#### **Differential**

<b>1994-1990</b>	Colt Ser. (AWD)	
	Seal .....	710396[2]
	Bearing Assembly .....	30207M[2]
	Kwik Slv (Opt Rpr) .....	KWK99139[2]
<b>1994-1990</b>	Laser (AWD)	
	Seal .....	710396[2]
	Bearing Assembly .....	30207M[2]
	Kwik Slv (Opt Rpr) .....	KWK99139[2]

### **CLUTCH**

#### **Release Bearing**

<b>1994-1990</b>	Laser (AWD)(Turbo)	
	Bearing Assembly .....	614099
<b>1994-1990</b>	Laser (w/o AWD)(w/o Turbo)	
	Bearing Assembly .....	614126
<b>1994-1990</b>	Colt	
	Bearing Assembly .....	614126
<b>1991-1990</b>	Colt Vista	
	Bearing Assembly .....	614126

### **3-SPEED AUTOMATIC TRANSAXLE**

#### **Torque Converter**

<b>1996-1990</b>		
	Seal .....	320583
	Kwik Slv (Opt Rpr) .....	KWK99157

#### **Output Shaft**

<b>1996-1990</b>		
	Seal .....	223543[2]
	Kwik Slv (Opt Rpr) .....	KWK99139[2]

#### **Differential**

<b>1996-1990</b>	(w/o KM172 0, KM172 5)	
	Ball Bearing .....	207[2]
<b>1990</b>	(KM172 0, KM172 5)	
	Bearing Assembly .....	30207M[2]

### **4-SPEED AUTOMATIC TRANSAXLE**

#### **Differential**

<b>1996-1990</b>	(F4A21 2, F4A22 2, F4A33 1, KM176 5)	
	Ball Bearing .....	207[2]

#### **Torque Converter**

<b>1996-1990</b>		
	Seal .....	320583
	Kwik Slv (Opt Rpr) .....	KWK99157

#### **Output Shaft**

<b>1996-1993</b>	(F4A21 2, F4A22 2)	
	Seal .....	223543[2]
	Kwik Slv (Opt Rpr) .....	KWK99139[2]
<b>1996-1993</b>	(F4A33 1)	
	Seal Viton .....	710259[2]
<b>1996-1992</b>	(W4A32 1)	
	Seal (LH) .....	223543
	Seal (RH) .....	710199
	Kwik Slv (Opt Rpr) .....	KWK99139[2]
<b>1992-1990</b>	(F4A21 2, F4A22 2, F4A33 1, KM176 5)	
	Seal .....	223543[2]
	Kwik Slv (Opt Rpr) .....	KWK99139[2]

### **4-SPEED MANUAL TRANSAXLE**

#### **Differential**

<b>1992-1990</b>	(F4M21 1)	
	Ball Bearing .....	207[2]

#### **Input Shaft**

<b>1992-1990</b>	(F4M21 1, KM200 0)	
	Seal Viton .....	712007
	Kwik Slv (Opt Rpr) .....	KWK99098

#### **Output Shaft**

<b>1992-1990</b>	(F4M21 1, KM200 0)	
	Seal .....	223543[2]
	Bearing Assembly .....	30206M[2]
	Kwik Slv (Opt Rpr) .....	KWK99139[2]

#### **Selector Shaft Seal/Man. Shaft**

<b>1992-1990</b>	(KM160 2)	
	Seal .....	710222

### **5-SPEED MANUAL TRANSAXLE**

#### **Differential**

<b>1996-1990</b>	(KM182 2, F5M22 2, KM182 0, KM206 0, KM221 1)	
	Bearing Assembly .....	30207M[2]
<b>1996-1990</b>	(F5M21 1, F5M21 2, W5M31 2, W5M33 2, KM162 0, KM162 0, KM163 0, KM201 0)	
	Ball Bearing .....	207[2]

**5-SPEED MANUAL TRANSAXLE**

**Input Shaft**

<b>1996-1990</b>	(F5M21 1, F5M21 2, F5M22 2, F5M33 2W5M31 2, W5M33 2)	
Seal Viton	.....	712007
Kwik Slv (Opt Rpr)	.....	KWK99098
<b>1994-1991</b>	(Getrag)	
Seal Viton	.....	712007
Kwik Slv (Opt Rpr)	.....	KWK99098
<b>1991-1990</b>	(KM182 2, KM182 0, KM221 1)	
Seal Viton	.....	712007
Ball Bearing (Center)	.....	304WB
Bearing Assembly (Rr)	.....	30304
Kwik Slv (Opt Rpr)	.....	KWK99098

**Countershaft**

<b>1991-1990</b>	(KM182 0, KM182 2, KM221 1)	
Bearing Assembly	.....	30304[2]
<b>1990</b>	(KM201 0, KM206 0)	
Ball Bearing (Frt)	.....	RW122
Ball Bearing (Rr)	.....	108A

**Output Shaft**

<b>1996-1993</b>	(F5M33 1)	
Seal Viton	.....	710259[2]
<b>1996-1992</b>	(W5M33 2)	
Seal (LH)	.....	223543
Seal (RH)	.....	710199
Kwik Slv (Opt Rpr)	.....	KWK99139[2]
<b>1996-1990</b>	(F5M21 1, F5M21 2, F5M22 2, KM201 0, KM206 0)	
Seal	.....	223543[2]
Bearing Assembly	.....	30206M[2]
Kwik Slv (Opt Rpr)	.....	KWK99139[2]
<b>1996-1990</b>	(KM182 2, KM162 0, KM163 0, KM221 1, F5M31 2, F5M33 2)	
Seal	.....	223543[2]
Kwik Slv (Opt Rpr)	.....	KWK99139[2]
<b>1994-1993</b>	(Getrag)	
Seal Viton	.....	710259[2]
<b>1993-1992</b>	(W5M31 2)	
Seal (LH)	.....	223543
Kwik Slv (Opt Rpr)	.....	KWK99139
Seal (RH)	.....	1981
Kwik Slv (Opt Rpr)	.....	KWK99114
<b>1992-1991</b>	(Getrag)	
Seal	.....	223543[2]
Kwik Slv (Opt Rpr)	.....	KWK99139[2]

**Pinion**

<b>1996-1990</b>	(W5M31 2, W5M33 2)	
Seal	.....	223014
Kwik Slv (Opt Rpr)	.....	KWK99114

**5-SPEED MANUAL TRANSAXLE**

**Selector Shaft Seal/Man. Shaft**

<b>1996-1990</b>	(KM162 0)	
Seal	.....	710222

**Extension Housing**

<b>1993-1992</b>	(W5M31 2)	
Seal	.....	710317
<b>1991-1990</b>	(KM182 0, KM182 2, KM221 1)	
Seal	.....	223240
Bearing Assembly	.....	30206M[2]
Kwik Slv (Opt Rpr)	.....	KWK99128

**DRIVESHAFT SUPPORT**

<b>1991-1990</b>	Colt Vista (4WD)	
Hanger Brg Assy	.....	HB25

**CAMSHAFT SEAL**

**4 Cylinder**

<b>1996-1990</b>	1410cc/1.4L, 1468cc/1.5L, 1597cc/1.6L, 1755cc/1.8L, 1834cc/1.8L, 1997cc/2.0L, 2351cc/2.4L	
Seal	.....	3771
Kwik Slv (Opt Rpr)	.....	KWK99139

**CRANKSHAFT FRONT SEAL**

**4 Cylinder**

<b>1996-1992</b>	1834cc/1.8L	
Seal	.....	223750
Kwik Slv (Opt Rpr)	.....	KWK99145
<b>1996-1990</b>	1468cc/1.5L	
Seal	.....	223018
Kwik Slv (Opt Rpr)	.....	KWK99114
<b>1996-1990</b>	1595cc/1.6L (DOHC), 1597cc/1.6L, 1755cc/1.8L, 1997cc/2.0L, 2351cc/2.4L	
Seal	.....	224460

**CRANKSHAFT REAR SEAL**

**4 Cylinder**

<b>1996-1990</b>	1595cc/1.6L (DOHC), 1834cc/1.8L, 1997cc/2.0L (DOHC), 2351cc/2.4L	
Seal Viton	.....	228005
Kwik Slv (Opt Rpr)	.....	KWK99315
<b>1996-1990</b>	1410cc/1.4L, 1468cc/1.5L, 1597cc/1.6L, 1755cc/1.8L	
Seal	.....	227235

# Bearings and Seals

Mfg./Year    Model & Location    Part No    Mfg./Year    Model & Location    Part No

## **PLYMOUTH TRUCK - MINIVAN, AWD MINIVAN - Grand Voyager, Voyager - 2001 SEE CHRYSLER SECTION**

### **FRONT WHEEL**

2000-1996 (14" Whl.)	
Hub Assembly .....	513122[2]
2000-1996 (15" Whl.)	
Hub Assembly .....	513123[2]
1995-1991 (14" Whl.)	
Hub Assembly .....	513075[2]
1995-1990 (15" Whl.)	
Hub Assembly .....	513074[2] <sup>44</sup>
1990 (14" Whl.)(4 Lug Whl)	
Seal .....	5604[2] <sup>56</sup>
Ball Bearing .....	513006[2]
Hub Assembly .....	518501[2] <sup>62</sup>
1990 (14" Whl.)(5 Lug Whl.)	
Seal .....	5604[2] <sup>56</sup>
Ball Bearing .....	513006[2]
Hub Assembly .....	518502[2] <sup>62</sup>

### **REAR WHEEL**

2000-1996 Grand Voyager, Voyager (14" Whl)(Drum Brks.)	
Hub Assembly .....	512155[2]
2000-1996 Grand Voyager, Voyager (15" Whl)(Drum Brks.)	
Hub Assembly .....	512156[2]
1995-1990	
Seal (Inner) .....	4249[2]
Set (Inner) .....	SET17[2]
Set (Outer) .....	SET16[2]

### **4WD/AWD**

2000-1996	
Hub Assembly .....	512157[2]
1995-1991	
Hub Assembly .....	512125[2]

### **AWD REAR AXLE**

#### **Differential**

2000-1994	
Cone/Cup .....	JL69349H-JL69310[2]

#### **Pinion**

2000-1994	
Set (Inner) .....	SET45
Set (Outer) .....	SET17

### **3-SPEED AUTOMATIC TRANSAXLE**

#### **Torque Converter**

2000-1990 (A404 31TH, A413)	
Seal .....	331228H
Kwik Slv (Opt Rpr) .....	KWK99149

### **3-SPEED AUTOMATIC TRANSAXLE**

#### **Transfer Shaft**

2000-1990 (A413, A670, 31TH)	
Set .....	SET11[2]

#### **Output Shaft**

2000-1992 (A404 31TH)	
Cone/Cup (LH) .....	L68149P-L68111P
Cone/Cup (RH) .....	L68149P-L68111P
1991-1990 (A404 31TH, A413)	
Set (LH) .....	SET17
Set (RH) .....	SET17

#### **Differential**

2000-1997 31TH	
Seal (LH) .....	3459S
Cone/Cup (LH) .....	NP889967-NP714580
Seal (RH) .....	3459S
Cone/Cup (RH) .....	NP952605-JL69310P
1996-1990 (A413, A670, 31TH)	
Seal .....	3459S[2]
Set .....	SET11[2]
Kwik Slv (Opt Rpr) .....	KWK99157[2]
1995-1992 (A404 31TH)	
Seal .....	3459S[2]
Cone/Cup .....	JL69349CP-JL69310P[2]
1991-1990 (A404)	
Seal .....	3459S[2]
Cone/Cup .....	JL69349H-JL69310[2]

#### **Selector Shaft Seal/Man. Shaft**

1992-1990 (A413, 31TH)	
Seal .....	8609

### **4-SPEED AUTOMATIC TRANSAXLE**

#### **Differential**

2000-1997 (A604 41TE)(AWD)(Prod. from mid 1997 on)	
Cone/Cup (LH) .....	NP889967-NP714580
Cone/Cup (RH) .....	NP952605-JL69310P
2000-1997 (A604 41TE)(Prod. from mid 1997 on)	
Cone/Cup (LH) .....	NP889967-NP714580
Cone/Cup (RH) .....	NP952605-JL69310P
1997 (A604 41TE)(AWD)(Prod. thru mid 1997)	
Cone/Cup (LH) .....	NP889967-NP714580
Cone/Cup (RH) .....	JL69348-JL69310
1997-1996 (A604 41TE)(Prod. thru mid 1997)	
Cone/Cup (LH) .....	NP889967-NP714580
Cone/Cup (RH) .....	JL69348-JL69310
1995-1994 (A604 41TE)(AWD)	
Cone/Cup (LH) .....	JL69348-JL69310
Cone/Cup (RH) .....	LM503349-LM503310
1995-1991 (A604 41TE)	
Cone/Cup .....	JL69348-JL69310[2]

**PLYMOUTH TRUCK - MINIVAN, AWD MINIVAN - Grand Voyager, Voyager - 2001 SEE CHRYSLER SECTION (cont.)**

**4-SPEED AUTOMATIC TRANSAXLE (cont.)**

**Differential (cont.)**

<b>1993-1991</b>	(A604 41TE)(AWD)	
Cone/Cup (LH)	.....	JL69348-JL69310
Cone (RH)	.....	LM503349
<b>1990</b>	(A604, A670)	
Set	.....	SET11[2]

**Torque Convertor**

<b>2000-1990</b>	(A604, A604, A670, 41TE)(incl. AWD)	
Seal	.....	331228H

**Transfer Shaft**

<b>2000-1996</b>	(A604, 41TE)	
Cone/Cup (Inner)	.....	NP853895-NP352518
Set (Outer)	.....	SET45
<b>1995-1991</b>	(A604, 41TE)	
Cone/Cup (Inner)	.....	13687-13623X
Set (Outer)	.....	SET45

**Output Shaft**

<b>2000-1997</b>	(A604 41TE)(AWD)(Prod. from mid 1997 on)	
Cone/Cup (Outer)	.....	LM300848-LM300911
Cone/Cup (Inner)	.....	NP952605-JL69310P
<b>2000-1997</b>	(A604 41TE)(Prod. from mid 1997 on)	
Cone/Cup (Outer)	.....	LM300848-LM300911
Cone/Cup (Inner)	.....	NP952605-JL69310P
<b>1997-1991</b>	(A604 41TE)(AWD)(Prod. thru mid 1997)	
Cone/Cup (Outer)	.....	LM300848-LM300811
Cone/Cup (Inner)	.....	JL69348-JL69310
<b>1997-1991</b>	(A604 41TE)(Prod. thru mid 1997)	
Cone/Cup (Outer)	.....	LM300848-LM300811
Cone/Cup (Inner)	.....	JL69348-JL69310
<b>1990</b>	(A604, A670)	
Seal	.....	3459S[2]
Set	.....	SET17[2]

**Selector Shaft Seal/Man. Shaft**

<b>2000-1990</b>	(A604, A604 41TE, A670)	
Seal	.....	8609

**CAMSHAFT SEAL**

**4 Cylinder**

<b>2000-1996</b>	148/2.4L	
Seal Viton	.....	320249[2]
Kwik Slv (Opt Rpr)	.....	KWK99139[2]
<b>1995-1990</b>	153/2.5L	
Seal	.....	3655S
Kwik Slv (Opt Rpr)	.....	KWK99139

**CAMSHAFT SEAL**

**6 Cylinder**

<b>2000-1990</b>	2972cc/3.0L	
Seal	.....	3771[2]
Kwik Slv (Opt Rpr)	.....	KWK99139[2]

**INTERMEDIATE SHAFT**

**6 Cylinder**

<b>2000-1990</b>	201/3.3L, 230/3.8L	
Seal	.....	3655S

**CRANKSHAFT FRONT SEAL**

**4 Cylinder**

<b>2000-1996</b>	148/2.4L	
Seal Viton	.....	320348
Kwik Slv (Opt Rpr)	.....	KWK99128
<b>1995-1990</b>	153/2.5L	
Seal	.....	3638
Kwik Slv (Opt Rpr)	.....	KWK99112

**6 Cylinder**

<b>2000-1990</b>	201/3.3L, 230/3.8L	
Seal	.....	3638
Kwik Slv (Opt Rpr)	.....	KWK99112
<b>2000-1990</b>	2972cc/3.0L	
Seal	.....	223750

**CRANKSHAFT REAR SEAL**

**4 Cylinder**

<b>2000-1990</b>	135/2.2L, 148/2.4L, 153/2.5L	
Seal Viton	.....	710056
Seal PTFE H/D Opt	.....	5279

**6 Cylinder**

<b>2000-1990</b>	2972cc/3.0L, 201/3.3L, 231/3.8L	
Seal Viton	.....	710056
Seal PTFE H/D Opt	.....	5279

# Bearings and Seals

Mfg./Year	Model & Location	Part No	Mfg./Year	Model & Location	Part No
-----------	------------------	---------	-----------	------------------	---------

## **PONTIAC - FRONT DRIVE - Bonneville**

### **FRONT WHEEL**

<b>2005-2004</b>	GXP	
Hub Assembly	.....	HA590075[2]
<b>2005-2001</b>	(Exc. GXP)	
Hub Assembly	.....	513179[2] <sup>73</sup>
<b>2001-2000</b>	(1st Design)(Steel Clip)	
Hub Assembly	.....	513121[2] <sup>72</sup>
<b>1999-1992</b>	(ABS)	
Hub Assembly	.....	513087[2] <sup>45</sup>
<b>1992</b>	(w/o ABS)	
Hub Assembly	.....	513088[2]
<b>1991-1990</b>		
Hub Assembly	.....	513016K[2] <sup>61</sup>

### **REAR WHEEL**

<b>2005-2000</b>		
Hub Assembly	.....	512003[2]
<b>1999-1991</b>	(ABS)	
Hub Assembly	.....	513062[2]
<b>1992-1990</b>	(w/o ABS)	
Hub Assembly	.....	513018[2]
<b>1990</b>	(ABS)	
Hub Assembly	.....	513041[2]

### **4-SPEED AUTOMATIC TRANSAXLE**

#### **Torque Convertor**

<b>2001-1990</b>		
Seal	.....	4072N

#### **Output Shaft**

<b>2001-1998</b>		
Seal (LH)	.....	100165
Seal (RH)	.....	3543
Kwik Slv (Opt Rpr)	.....	KWK99139[2]
<b>1997-1990</b>		
Seal (LH)	.....	710096
Seal (RH)	.....	3543
Kwik Slv (Opt Rpr)	.....	KWK99139[2]

### **4-SPEED AUTOMATIC TRANSAXLE**

#### **Selector Shaft Seal/Man. Shaft**

<b>2001-1990</b>		
Seal	.....	8792S

### **ALTERNATOR**

<b>1997-1990</b>	(Delco)	
Ball Bearing (Rear End)	.....	100CCAB
Ball Bearing (Drive End)	.....	203FF

### **POWER STEERING**

#### **Pump Shaft**

<b>2000-1992</b>		
Seal	.....	7013S

### **CRANKSHAFT FRONT SEAL**

#### **6 Cylinder**

<b>2004-1990</b>	231/3.8L	
Seal Viton	.....	710162
Kwik Slv (Opt Rpr)	.....	KWK99193

### **CRANKSHAFT REAR SEAL**

#### **6 Cylinder**

<b>2004-1991</b>	231/3.8L	
Seal Viton	.....	320691
Seal PTFE H/D	.....	5291
Kwik Slv (Opt Rpr)	.....	KWK99328
<b>1990</b>	231/3.8L	
Seal	.....	5591

## **PONTIAC - FRONT DRIVE - G6**

### **FRONT WHEEL**

<b>2006</b>	(w/o ABS)	
Hub Assembly	.....	HA590071[2]
<b>2006-2005</b>	(ABS)	
Hub Assembly	.....	HA590070[2]

### **REAR WHEEL**

<b>2006-2005</b>	(ABS)	
Hub Assembly	.....	HA590080[2]

### **REAR WHEEL (cont.)**

<b>2006-2005</b>	(w/o ABS)	
Hub Assembly	.....	HA590081[2]

**FRONT WHEEL**

<b>2005-1999</b>	
Hub Assembly .....	513137[2]
<b>1998-1990 (w/o ABS)</b>	
Hub Assembly .....	513017K[2] <sup>61</sup>
Seal Kit .....	5697[2] <sup>12</sup>

**REAR WHEEL**

<b>2005-2001 (Disc Brks. &amp; Drum Brks.)</b>	
Hub Assembly .....	512152[2]
<b>2000-1999 (Disc Brks.)</b>	
Hub Assembly .....	512152[2]
<b>2000-1999 (Drum Brks.)</b>	
Hub Assembly .....	512003[2]
<b>1998-1991 (ABS)</b>	
Hub Assembly .....	512001[2]
<b>1990 (w/o ABS)</b>	
Hub Assembly .....	513012[2]

**CLUTCH**

**Pilot Bearing**

<b>1991-1990 4 Cyl.</b>	
Bushing .....	PB650

**Release Bearing**

<b>2001-2000 146/2.4L</b>	
Hyd. Bearing Assembly .....	619006
<b>1996-1995 (5 Spd.)(Isuzu Trans.)(Hyd. piston type)</b>	
Hyd. Bearing Assembly .....	619006
<b>1994-1992 4 Cyl. 2.3 (DOHC)(T550 Trans.)(Hyd. piston type)</b>	
Hyd. Bearing Assembly .....	619005
<b>1994-1992 4 Cyl. 2.3 (SOHC)(5 Spd.)(Isuzu Trans.)</b>	
Bearing Assembly .....	614108
<b>1994-1992 Quad4 (5 Spd.)(Isuzu Trans.)</b>	
Bearing Assembly .....	614108
<b>1992-1990 Quad4 (5 Spd.)(Muncie Trans.)</b>	
Bearing Assembly .....	614069
<b>1992-1990 6 Cyl. (5 Spd.)</b>	
Bearing Assembly .....	614069
<b>1992-1990 4 Cyl. (w/o Quad4)(5 Spd.)</b>	
Bearing Assembly .....	614108

**3-SPEED AUTOMATIC TRANSAXLE**

**Torque Converter**

<b>2001-1990</b>	
Seal .....	4072N

**Output Shaft**

<b>2001-1990</b>	
Seal .....	3543[2]
Kwik Slv (Opt Rpr) .....	KWK99139[2]

**3-SPEED AUTOMATIC TRANSAXLE**

**Selector Shaft Seal/Man. Shaft**

<b>2001-1990</b>	
Seal .....	8792S

**4-SPEED AUTOMATIC TRANSAXLE**

**Torque Converter**

<b>2002-1990</b>	
Seal .....	4072N

**Output Shaft**

<b>2002-1997 (4T65)</b>	
Seal (LH) .....	100165
Seal (RH) .....	3543
Kwik Slv (Opt Rpr) .....	KWK99139[2]
<b>2001-1990 (THM440 T4, 4T60, 4T60 E)</b>	
Seal (LH) .....	710096
Seal (RH) .....	3543
Kwik Slv (Opt Rpr) .....	KWK99139[2]

**Selector Shaft Seal/Man. Shaft**

<b>2002-1990</b>	
Seal .....	8792S

**5-SPEED MANUAL TRANSAXLE**

**Input Shaft**

<b>2000-1990</b>	
Seal .....	222835
Ball Bearing .....	306VVL
Kwik Slv (Opt Rpr) .....	KWK99111

**Output Shaft**

<b>2000-1990</b>	
Seal .....	3543[2]
Kwik Slv (Opt Rpr) .....	KWK99139[2]
Bearing Assembly (RH) .....	32206M
Set (LH) .....	SET5

**Selector Shaft Seal/Man. Shaft**

<b>2001-1990</b>	
Seal .....	3667

**ALTERNATOR**

<b>1992-1990 (Delco)</b>	
Ball Bearing (Drive End) .....	203FF
Ball Bearing (Rear End) .....	100CCAB

**POWER STEERING**

**Pump Shaft**

<b>2000-1992</b>	
Seal .....	7013S

<sup>12</sup>Opt. Kit Incls Seal & O Ring. Kit Incl w/ Hub Assy

<sup>61</sup>Kit Incl, Seal, Hub Nut, & Brg Unit

# Bearings and Seals

Mfg./Year	Model & Location	Part No	Mfg./Year	Model & Location	Part No
-----------	------------------	---------	-----------	------------------	---------

## PONTIAC - FRONT DRIVE - Grand Am (cont.)

### CAMSHAFT SEAL

#### 4 Cylinder

1995-1990	138/2.3L (DOHC)	
	Seal Viton .....	713771
	Kwik Slv (Opt Rpr) .....	KWK99139
1994-1992	138/2.3L (SOHC)	
	Seal Viton .....	713771
	Kwik Slv (Opt Rpr) .....	KWK99139

### CRANKSHAFT FRONT SEAL

#### 4 Cylinder

2004-2002	134/2.2L	
	Seal .....	9845
2001-1996	146/2.4L	
	Seal Viton .....	320259
1995-1990	138/2.3L (DOHC)	
	Seal Viton .....	320259
1994-1992	138/2.3L (SOHC)	
	Seal Viton .....	320259
1994-1990	151/2.5L	
	Seal .....	9845
	Kwik Slv (Opt Rpr) .....	KWK99176
	Harmonic Balancer Slv .....	88176

#### 6 Cylinder

2004-1999	201/3.4L	
	Seal .....	9845
	Kwik Slv (Opt Rpr) .....	KWK99176
	Harmonic Balancer Slv .....	88176
2001-1990	181/3.0L	
	Seal Viton .....	710162
	Kwik Slv (Opt Rpr) .....	KWK99193
1998-1994	189/3.1L	
	Seal .....	9845
	Kwik Slv (Opt Rpr) .....	KWK99176
	Harmonic Balancer Slv .....	88176

### CRANKSHAFT FRONT SEAL (cont.)

#### 6 Cylinder (cont.)

1993-1992	3300/3.3L	
	Seal Viton .....	710162
	Kwik Slv (Opt Rpr) .....	KWK99193

### CRANKSHAFT REAR SEAL

#### 4 Cylinder

2004-2002	134/2.2L	
	Seal .....	4307V
	Seal PTFE H/D .....	5273
	Kwik Slv (Opt Rpr) .....	KWK99298
2001-1996	146/2.4L	
	Seal .....	40375
1995-1990	138/2.3L (DOHC)	
	Seal .....	40375
1994-1992	138/2.3L (SOHC)	
	Seal .....	40375
1991-1990	151/2.5L	
	Seal .....	3698

#### 6 Cylinder

2004-1999	201/3.4L	
	Seal .....	4307V
	Seal PTFE H/D Opt .....	5273
	Kwik Slv (Opt Rpr) .....	KWK99298
1998-1994	189/3.1L	
	Seal .....	4307V
	Seal PTFE H/D Opt .....	5273
	Kwik Slv (Opt Rpr) .....	KWK99298
1993-1992	3300/3.3L	
	Seal Viton .....	320691
	Kwik Slv (Opt Rpr) .....	KWK99328

## PONTIAC - FRONT DRIVE - Grand Prix

### FRONT WHEEL

2006-2004	(ABS)	
	Hub Assembly .....	HA590075[2]
2006-2004	(w/o ABS)	
	Hub Assembly .....	HA590076[2]
2003-2001	(2nd Design)(Plastic Clip)	
	Hub Assembly .....	513179[2] <sup>73</sup>
2001-1997	(1st Design)(Steel Clip)	
	Hub Assembly .....	513121[2] <sup>72</sup>
1996-1990		
	Hub Assembly .....	513044[2]

### REAR WHEEL

2006-2004	(ABS)	
	Hub Assembly .....	HA590073[2]
2006-2004	(w/o ABS)	
	Hub Assembly .....	HA590074[2]
2003	(ABS)	
	Hub Assembly .....	512237[2]

### REAR WHEEL (cont.)

2003	(w/o ABS)	
	Hub Assembly .....	512221[2]
2002-1997		
	Hub Assembly .....	512150[2]
1996-1992	(ABS)	
	Hub Assembly .....	512004[2]
1996-1990	(w/o ABS)	
	Hub Assembly .....	513018[2]
1991-1990	(ABS)	
	Hub Assembly .....	513042[2]

### CLUTCH

#### Release Bearing

1996-1995	(5 Spd.)(Isuzu Trans.)(Hyd. piston type)	
	Hyd. Bearing Assembly .....	619006
1994-1992	Quad4 (5 Spd.)(Isuzu Trans.)	
	Bearing Assembly .....	614108

**CLUTCH (cont.)**

**Release Bearing (cont.)**

1992-1991	3.4 V6 (5 Spd.)(pull type Cl.)	
	Bearing Assembly	614108
1992-1990	4 Cyl. (w/o Quad4 & Turbo)(5 Spd.)	
	Bearing Assembly	614108
1992-1990	6 Cyl. (5 Spd.)	
	Bearing Assembly	614069
1992-1990	Quad4 (5 Spd.)(Muncie Trans.)	
	Bearing Assembly	614069

**3-SPEED AUTOMATIC TRANSAXLE**

**Torque Converter**

2001-1990		
	Seal	4072N

**Output Shaft**

2001-1990		
	Seal	3543[2]
	Kwik Slv (Opt Rpr)	KWK99139[2]

**Selector Shaft Seal/Man. Shaft**

2001-1990		
	Seal	8792S

**4-SPEED AUTOMATIC TRANSAXLE**

**Torque Converter**

2002-1990		
	Seal	4072N

**Output Shaft**

2002-1997	(4T65)	
	Seal (LH)	100165
	Seal (RH)	3543
	Kwik Slv (Opt Rpr)	KWK99139[2]
2001-1990	(THM440 T4, 4T60, 4T60 E)	
	Seal (LH)	710096
	Seal (RH)	3543
	Kwik Slv (Opt Rpr)	KWK99139[2]

**Selector Shaft Seal/Man. Shaft**

2002-1990		
	Seal	8792S

**5-SPEED MANUAL TRANSAXLE**

**Input Shaft**

2000-1990		
	Seal	222835
	Ball Bearing	306VVL
	Kwik Slv (Opt Rpr)	KWK99111

**5-SPEED MANUAL TRANSAXLE**

**Output Shaft**

2000-1990		
	Seal (LH)	3543[2]
	Kwik Slv (Opt Rpr)	KWK99139[2]
	Bearing Assembly (RH)	32206M
	Set (LH)	SET5

**Selector Shaft Seal/Man. Shaft**

2001-1990		
	Seal	3667

**ALTERNATOR**

2002-1990	(Delco)	
	Ball Bearing (Drive End)	203FF
	Ball Bearing (Rear End)	100CCAB

**CRANKSHAFT FRONT SEAL**

**4 Cylinder**

1991-1990	138/2.3L	
	Seal Viton	320259

**6 Cylinder**

2004-1997	231/3.8L	
	Seal Viton	710162
	Kwik Slv (Opt Rpr)	KWK99193
2003-1990	173/2.8L, 189/3.1L, 207/3.4L	
	Seal	9845
	Kwik Slv (Opt Rpr)	KWK99176

**CRANKSHAFT REAR SEAL**

**4 Cylinder**

1991-1990	138/2.3L	
	Seal	40375

**6 Cylinder**

2004-1997	231/3.8L	
	Seal Viton	320691
	Kwik Slv (Opt Rpr)	KWK99322
2003-1990	189/3.1L, 207/3.4L	
	Seal	4307V
	Seal PTFE H/D Opt	5273
	Kwik Slv (Opt Rpr)	KWK99298



# Bearings and Seals

Mfg./Year	Model & Location	Part No	Mfg./Year	Model & Location	Part No
-----------	------------------	---------	-----------	------------------	---------

## **PONTIAC - FRONT DRIVE - Sunbird**

### **FRONT WHEEL**

<b>1994-1990</b>		
Hub Assembly	.....	513017K[2] <sup>61</sup>

### **REAR WHEEL**

<b>1994-1992</b>		
Hub Assembly	.....	512001[2]
<b>1991-1990</b>		
Hub Assembly	.....	513012[2]

### **CLUTCH**

#### **Release Bearing**

<b>1994-1990</b>	4 Cyl. 2.0 (Turbo)(5 Spd.)	
Bearing Assembly	.....	614069
<b>1994-1990</b>	6 Cyl. (5 Spd.)	
Bearing Assembly	.....	614069
<b>1993-1990</b>	4 Cyl. (w/o Quad4 & Turbo)(5 Spd.)	
Bearing Assembly	.....	614108
<b>1991-1990</b>	4 Cyl. 1.8 (Turbo)(5 Spd.)	
Bearing Assembly	.....	614108

### **3-SPEED AUTOMATIC TRANSAXLE**

#### **Torque Converter**

<b>1994-1990</b>		
Seal	.....	4072N

#### **Output Shaft**

<b>1994-1990</b>		
Seal	.....	3543[2]
Kwik Slv (Opt Rpr)	.....	KWK99139[2]

#### **Selector Shaft Seal/Man. Shaft**

<b>1994-1990</b>		
Seal	.....	8792S

### **4-SPEED AUTOMATIC TRANSAXLE**

#### **Torque Converter**

<b>1994</b>		
Seal	.....	4072N

#### **Output Shaft**

<b>1994</b>		
Seal (LH)	.....	710096
Seal (RH)	.....	3543
Kwik Slv (Opt Rpr)	.....	KWK99139[2]

#### **Selector Shaft Seal/Man. Shaft**

<b>1994</b>		
Seal	.....	8792S

### **5-SPEED MANUAL TRANSAXLE**

#### **Input Shaft**

<b>1994-1990</b>		
Seal	.....	222835
Ball Bearing	.....	306VVL
Kwik Slv (Opt Rpr)	.....	KWK99111

#### **Output Shaft**

<b>1994-1990</b>		
Seal	.....	3543[2]
Kwik Slv (Opt Rpr)	.....	KWK99139[2]
Bearing Assembly (RH)	.....	32206M
Set (LH)	.....	SET5

#### **Selector Shaft Seal/Man. Shaft**

<b>1994-1990</b>		
Seal	.....	3667

### **ALTERNATOR**

<b>1992-1990</b>	(Delco)	
Ball Bearing (Rear End)	.....	100CCAB
<b>1992-1990</b>	(Delco)	
Ball Bearing (Drive End)	.....	203FF

### **CRANKSHAFT FRONT SEAL**

#### **4 Cylinder**

<b>1994-1990</b>	112/1.8L, 122/2.0L, 151/2.5L	
Seal	.....	9845
Kwik Slv (Opt Rpr)	.....	KWK99176

#### **6 Cylinder**

<b>1994-1991</b>	189/3.1L	
Seal	.....	9845
Kwik Slv (Opt Rpr)	.....	KWK99176

### **CRANKSHAFT REAR SEAL**

#### **4 Cylinder**

<b>1994-1990</b>	122/2.0L	
Seal Opt	.....	4307V
Seal PTFE H/D Opt	.....	5273
Kwik Slv (Opt Rpr)	.....	KWK99298

#### **6 Cylinder**

<b>1994-1991</b>	189/3.1L	
Seal	.....	4307V
Seal PTFE H/D Opt	.....	5273
Kwik Slv (Opt Rpr)	.....	KWK99298

Mfg./Year	Model & Location	Part No	Mfg./Year	Model & Location	Part No
-----------	------------------	---------	-----------	------------------	---------

**PONTIAC - FRONT DRIVE - Sunfire**

**FRONT WHEEL**

2005-1995  
Hub Assembly ..... 513017K[2]<sup>61</sup>

**REAR WHEEL**

2005-2003 (w/o ABS)  
Hub Assembly ..... 513012[2]  
2005-1995 (ABS)  
Hub Assembly ..... 512001[2]

**CLUTCH**

**Release Bearing**

1999-1997 (Hyd.piston type)  
Hyd. Bearing Assembly ..... 619006

**3-SPEED AUTOMATIC TRANSAXLE**

**Torque Converter**

1997-1995  
Seal ..... 4072N

**Output Shaft**

1997-1995  
Seal ..... 3543[2]  
Kwik Slv (Opt Rpr) ..... KWK99139[2]

**Selector Shaft Seal/Man. Shaft**

1997-1995  
Seal ..... 8792S

**4-SPEED AUTOMATIC TRANSAXLE**

**Torque Converter**

2001-1995  
Seal ..... 4072N

**Output Shaft**

2001-1997 (4T65)  
Seal (LH) ..... 100165  
Seal (RH) ..... 3543  
Kwik Slv (Opt Rpr) ..... KWK99139[2]  
2001-1995 (THM440 T4, 4T60, 4T60 E)  
Seal (LH) ..... 710096  
Seal (RH) ..... 3543  
Kwik Slv (Opt Rpr) ..... KWK99139[2]

**Selector Shaft Seal/Man. Shaft**

2001-1995  
Seal ..... 8792S

**5-SPEED MANUAL TRANSAXLE**

**Input Shaft**

2000-1995  
Seal ..... 222835  
Ball Bearing ..... 306VVL  
Kwik Slv (Opt Rpr) ..... KWK99111

**5-SPEED MANUAL TRANSAXLE**

**Output Shaft**

2000-1995  
Seal ..... 3543[2]  
Kwik Slv (Opt Rpr) ..... KWK99139[2]  
Bearing Assembly (RH) ..... 32206M  
Set (LH) ..... SET5

**Selector Shaft Seal/Man. Shaft**

2001-1995  
Seal ..... 3667

**CAMSHAFT SEAL**

**4 Cylinder**

1995 138/2.3L (DOHC)  
Seal Viton ..... 713771  
Kwik Slv (Opt Rpr) ..... KWK99139

**CRANKSHAFT FRONT SEAL**

**4 Cylinder**

2004-1995 134/2.2L  
Seal ..... 9845  
Kwik Slv (Opt Rpr) ..... KWK99176  
Harmonic Balancer Slv ..... 88176  
2002-1995 138/2.3L, 146/2.4L  
Seal Viton ..... 320259

**CRANKSHAFT REAR SEAL**

**4 Cylinder**

2004-1995 134/2.2L  
Seal ..... 4307V  
Seal PTFE H/D Opt ..... 5273  
Kwik Slv (Opt Rpr) ..... KWK99298  
2002-1995 138/2.3L, 146/2.4L  
Seal ..... 40375

<sup>61</sup>Kit Incl, Seal, Hub Nut, & Brg Unit

# Bearings and Seals

Mfg./Year	Model & Location	Part No	Mfg./Year	Model & Location	Part No
<b>PONTIAC - FRONT DRIVE w/ AWD - 6000</b>					

## FRONT WHEEL

1991-1990 (FWD)(w/o ABS)	
Hub Assembly	513016K[2] <sup>61</sup>
1991-1990 (ABS)(JL9 Brks.)	
Hub Assembly	513016K[2] <sup>61</sup>
1990 (4WD)	
Hub Assembly	513016K[2] <sup>61</sup>

## REAR WHEEL

1991-1990 (FWD)(w/o ABS)	
Hub Assembly	513018[2]
1990 (4WD)	
Hub Assembly	513016K[2] <sup>61</sup>
1990 (ABS)(JL9 Brks.)	
Hub Assembly	513039[2]

## AWD REAR AXLE

### Differential

1990 (AWD)	
Set	SET11[2]

### Pinion

1990 (AWD)	
Cone/Cup (Inner)	M88048S-M88010
Cone/Cup (Outer)	M86649-M86610

## TRANSFER CASE

### Input Shaft

1990 (Pinion shaft)	
Bearing Assembly	32205B

### Rear Output Shaft

1990 (O/S adj output)	
Cone/Cup	M86649-M86610
1990 (O/S adj pinion)	
Cone/Cup	M88048-M88010

## CLUTCH

### Release Bearing

1991-1990 6 Cyl. (5 Spd.)	
Bearing Assembly	614069
1991-1990 4 Cyl. (w/o Quad4 & Turbo)(5 Spd.)	
Bearing Assembly	614108

## 3-SPEED AUTOMATIC TRANSAXLE

### Torque Converter

1991-1990	
Seal	4072N

## 3-SPEED AUTOMATIC TRANSAXLE

### Output Shaft

1991-1990	
Seal	3543[2]
Kwik Slv (Opt Rpr)	KWK99139[2]

### Selector Shaft Seal/Man. Shaft

1991-1990	
Seal	8792S

## 4-SPEED AUTOMATIC TRANSAXLE

### Torque Converter

1991-1990	
Seal	4072N

### Output Shaft

1991-1990 (THM440 T4, 4T60, 4T60 E)	
Seal (LH)	710096
Seal (RH)	3543
Kwik Slv (Opt Rpr)	KWK99139[2]

### Selector Shaft Seal/Man. Shaft

1991-1990	
Seal	8792S

## 5-SPEED MANUAL TRANSAXLE

### Input Shaft

1991-1990	
Seal	222835
Ball Bearing	306VVL
Kwik Slv (Opt Rpr)	KWK99111

### Output Shaft

1991-1990	
Seal	3543[2]
Kwik Slv (Opt Rpr)	KWK99139[2]
Bearing Assembly (RH)	32206M
Set (LH)	SET5

### Selector Shaft Seal/Man. Shaft

1991-1990	
Seal	3667

## ALTERNATOR

1991-1990 (Delco)	
Ball Bearing (Drive End)	203FF
Ball Bearing (Rear End)	100CCAB

## CRANKSHAFT FRONT SEAL

### 4 Cylinder

1991-1990 151/2.5L	
Seal	9845
Kwik Slv (Opt Rpr)	KWK99176
Harmonic Balancer Slv	88176

Mfg./Year	Model & Location	Part No	Mfg./Year	Model & Location	Part No
<b>PONTIAC - FRONT DRIVE w/ AWD - 6000 (cont.)</b>					

<b>CRANKSHAFT FRONT SEAL</b>	
<b>6 Cylinder</b>	
1991-1990	173/2.8L, 189/3.1L
Seal	.....9845
Kwik Slv (Opt Rpr)	.....KWK99176
Harmonic Balancer Slv	..... 88176

<b>CRANKSHAFT REAR SEAL</b>	
<b>6 Cylinder</b>	
1991-1990	173/2.8L, 189/3.1L
Seal	..... 4307V
Seal PTFE H/D Opt	..... 5273
Kwik Slv (Opt Rpr)	.....KWK99298

<b>CRANKSHAFT REAR SEAL</b>	
<b>4 Cylinder</b>	
1991-1990	151/2.5L
Seal	.....3698

<b>PONTIAC - FRONT DRIVE w/ AWD - Vibe, Vibe AWD</b>
--

<b>FRONT WHEEL</b>	
2006-2003	
Ball Bearing	.....510070[2]

<b>REAR WHEEL</b>	
<b>4WD/AWD</b>	
2006-2003 (ABS)	
Hub Assembly	..... HA590002[2] <sup>25</sup>

<b>REAR WHEEL</b>	
2006-2003 (ABS)	
Hub Assembly	.....512217[2]
2006-2003 (w/o ABS)	
Hub Assembly	.....512218[2]

<b>PONTIAC - REAR DRIVE - GTO</b>
-----------------------------------

<b>FRONT WHEEL</b>	
2006-2004	
Hub Assembly (LH)	..... HA590007 <sup>25</sup>
2006-2004	
Hub Assembly (RH)	..... HA590006 <sup>25</sup>

<b>REAR WHEEL</b>	
2006-2004	
Bearing Only	..... 511035[2] <sup>25</sup>

<b>PONTIAC - REAR DRIVE - Firebird, Formula, Trans-Am, GTA</b>
--

<b>FRONT WHEEL</b>	
2002-1993 (ABS)	
Hub Assembly	.....513090[2]
1992-1990 (Performance Pkg Trans Am, GTA)	
Seal (Inner)	.....8871[2]
Set (Inner)	..... SET6[2]
Set (Outer)	..... SET3[2]
1992-1990 (w/o Performance Pkg, Trans Am, GTA)	
Seal (Inner)	.....8871[2]
Set (Inner)	..... SET6[2]
Set (Outer)	..... SET34[2]

<b>REAR WHEEL</b>	
2002-1993 Firebird, Formula, Trans Am, GTA, (w/o 7.75" R.G.)	
Seal	.....8660S[2]
Cylindrical Bearing	.....5707[2]
Kit (w/o Traction Control)	.....TRP1563TAV[2] <sup>19</sup>
1992-1990 (w/o 7.75" R.G.)	
Seal	.....8660S[2]
Cylindrical Bearing	.....5707[2]
Kit (w/o Traction Control)	.....TRP1563TAV[2] <sup>19</sup>
1991-1990 (7.75" R.G.)	
Set	.....SET9[2]
Seal (RH)	.....710179
Seal (LH)	.....224255

<sup>19</sup>Opt. Axle Rpr Brg. Replaces O.E. Brg & Seal

<sup>25</sup>New Item, Check For Availability

# Bearings and Seals

Mfg./Year    Model & Location    Part No    Mfg./Year    Model & Location    Part No

## **PONTIAC - REAR DRIVE - Firebird, Formula, Trans-Am, GTA (cont.)**

### **REAR AXLE**

#### **Differential Rebuild Kit**

1998-1990 (7.5" R.G.)  
Kit ..... DRK320

#### **Differential**

2002-1990 (7.5", 7.625", 8.5" R.G.)( B, C,  
G, K, O axle)  
Cone/Cup ..... LM501349-LM501314[2]  
1991-1990 (7.75" R.G.)  
Set ..... SET47[2]

#### **Pinion**

2002-1990 (7.5", 7.625" R.G.)  
Cone/Cup (Inner) ..... HM89249-HM89210  
Seal (Outer) ..... 8610  
Cone/Cup (Outer) ..... M86649-M86610  
1991-1990 (7.75" R.G.)  
Cone/Cup (Inner) ..... HM89446-HM89410  
Seal (Outer) ..... 7457N  
Cone/Cup (Outer) ..... M86649-M86610

### **4-SPEED AUTOMATIC TRANSMISSION**

#### **Torque Converter**

2001-1994  
Seal ..... 4950  
Kwik Slv (Opt Rpr) ..... KWK99174  
1993-1990  
Seal ..... 3227  
Kwik Slv (Opt Rpr) ..... KWK99174

#### **Rear Seal/Ext. Housing**

2001-1990  
Seal ..... 9613S  
Kwik Slv (Opt Rpr) ..... KWK99149  
Seal Kit ..... 5200<sup>64</sup>

#### **Selector Shaft Seal/Man. Shaft**

2001-1990  
Seal ..... 8792S

### **CLUTCH**

#### **Pilot Bearing**

1999-1994 8 Cyl.  
Ball Bearing ..... 57080  
1996-1990 6 Cyl.  
Bushing H/D ..... PB652HD  
1993-1990 8 Cyl.  
Bushing H/D ..... PB656HD

### **CLUTCH - 6 CYLINDER**

#### **Release Bearing**

2002-1996 231/3.8L  
Bearing Assembly ..... 614174  
1995-1990 173/2.8L, 189/3.1L, 231/3.8L,  
207/3.4L  
Bearing Assembly ..... 614083

### **CLUTCH - 8 CYLINDER**

#### **Release Bearing**

2002-1998 346/5.7L (GEN II)  
Bearing Assembly ..... 614174  
1997-1993 350/5.7L  
Bearing Assembly ..... 614116  
1992-1990 305/5.0L  
Bearing Assembly ..... 614083

### **5-SPEED MANUAL TRANSMISSION**

#### **Front Input Shaft**

2001-1990  
Seal ..... 7412S  
Set ..... SET5  
Kwik Slv (Opt Rpr) ..... KWK99125  
Needle Bearing ..... FA55505

#### **Countershaft**

2000-1990  
Cone/Cup (Frt) ..... LM67048-LM67010BCE  
Set (Rr) ..... SET6  
Needle Bearing Thrust ..... NTA1423

#### **Rear Output Shaft**

1996-1990  
Seal ..... 9613S  
Cone/Cup ..... 25877-25821  
Seal Kit ..... 5200<sup>64</sup>

### **6-SPEED MANUAL TRANSMISSION**

#### **Front Input Shaft**

2001-1993  
Seal ..... 7412S  
Kwik Slv (Opt Rpr) ..... KWK99125

#### **Rear Output Shaft**

2001-1993  
Seal ..... 9613S  
Seal Kit Opt ..... 5200<sup>64</sup>

### **ALTERNATOR**

2001-1992 (Delco 140 Amp.)  
Ball Bearing (Rear End) ..... 100CCAB  
1990 (Delco)  
Ball Bearing (Drive End) ..... 203FF

### **CRANKSHAFT FRONT SEAL**

#### **6 Cylinder**

2002-1990 231/3.8L  
Seal Viton ..... 710162  
Kwik Slv (Opt Rpr) ..... KWK99193  
1995-1993 201/3.4L  
Seal ..... 9845  
1995-1990 173/2.8L, 189/3.1L, 207/3.4L  
Seal ..... 9845  
Kwik Slv (Opt Rpr) ..... KWK99176  
Harmonic Balancer Slv ..... 88176

Mfg./Year    Model & Location    Part No    Mfg./Year    Model & Location    Part No

---

**PONTIAC - REAR DRIVE - Firebird, Formula, Trans-Am, GTA (cont.)**

---

**CRANKSHAFT FRONT SEAL**

**8 Cylinder**

1997-1990	305/5.0L, 350/5.7L	
Seal	.....	9845
Kwik Slv (Opt Rpr)	.....	KWK99176
Harmonic Balancer Slv	.....	88176

**CRANKSHAFT REAR SEAL**

**6 Cylinder**

2002-1995	231/3.8L	
Seal Viton	.....	320691
Kwik Slv (Opt Rpr)	.....	KWK99328
1995-1993	201/3.4L	
Seal	.....	4307V
1995-1990	173/2.8L (2nd design)	
Seal	.....	4307V
Kwik Slv (Opt Rpr)	.....	KWK99298
Seal PTFE H/D Opt	.....	5273

**8 Cylinder**

2002-1998	346/5.7L (GEN III)	
Seal	.....	100085
1997-1990	305/5.0L, 350/5.7L	
Seal Viton	.....	4359V
Kwik Slv (Opt Rpr)	.....	KWK99364
Seal PTFE H/D Opt	.....	5274

---

**PONTIAC IMPORT - FRONT DRIVE - Optima**

---

**FRONT WHEEL**

1994-1990	Firefly	
Seal (Inner)	.....	710394[2]
Ball Bearing (Inner)	.....	510001[2]
Seal (Outer)	.....	710175[2]

**REAR WHEEL**

1991-1990	Firefly	
Ball Bearing (Inner)	.....	205F[2]
Ball Bearing (Outer)	.....	204F[2]

**CLUTCH**

**Release Bearing**

1991-1990	Sunburst (Canada)	
Bearing Assembly	.....	614108
1991-1990	Firefly (Canada)	
Bearing Assembly	.....	614082
1991-1990	Optima (5 Spd.)	
Bearing Assembly	.....	614171

**ALTERNATOR**

1997-1990	(Nippondenso)	
Ball Bearing (Drive End)	.....	302CC
Ball Bearing (Rear End)	.....	201CC
1991-1990	(Bosch)	
Ball Bearing (Drive End)	.....	203FF
Ball Bearing (Rear End)	.....	201CC

**CAMSHAFT SEAL**

**3 Cylinder**

2000-1990	993cc/1.0L	
Seal	.....	710310
Kwik Slv (Opt Rpr)	.....	KWK99128

**CAMSHAFT SEAL**

**4 Cylinder**

2000-1992	1324cc/1.3L	
Seal	.....	710310
Kwik Slv (Opt Rpr)	.....	KWK99128
1991-1990	1598cc/1.6	
Seal Viton	.....	1108
Kwik Slv (Opt Rpr)	.....	KWK99139
1990	1998cc/2.0L	
Seal Viton	.....	1108
Kwik Slv (Opt Rpr)	.....	KWK99139

**CRANKSHAFT FRONT SEAL**

**3 Cylinder**

2000-1990	993cc/1.0L	
Seal	.....	710310

**4 Cylinder**

2000-1992	1324cc/1.3L	
Seal	.....	710310
Kwik Slv (Opt Rpr)	.....	KWK99128
1991-1990	1598cc/1.6	
Seal	.....	710399
Kwik Slv (Opt Rpr)	.....	KWK99166
1990	1998cc/2.0L	
Seal Viton	.....	710164
Kwik Slv (Opt Rpr)	.....	KWK99128

**CRANKSHAFT REAR SEAL**

**3 Cylinder**

2000-1990	993cc/1.0L	
Seal	.....	710334

# Bearings and Seals

Mfg./Year    Model & Location    Part No    Mfg./Year    Model & Location    Part No

## **PONTIAC IMPORT - FRONT DRIVE - Optima (cont.)**

### **CRANKSHAFT REAR SEAL**

#### **4 Cylinder**

2000-1992 1324cc/1.3L  
 Seal ..... 710334  
 1991-1990 1598cc/1.6  
 Seal Viton ..... 228008  
 Kwik Slv (Opt Rpr) .....KWK99315  
 1990 1998cc/2.0L  
 Seal Viton ..... 710237  
 Kwik Slv (Opt Rpr) .....KWK99354

## **PONTIAC IMPORT - FRONT DRIVE - LeMans**

### **FRONT WHEEL**

1993-1991  
 Set ..... SET35[2]  
 Ball Bearing ..... 510066[2]  
 1990 1.6 L  
 Ball Bearing ..... 513113[2]  
 1990 2.0L  
 Set ..... SET35[2]

### **REAR WHEEL**

1993-1990  
 Seal (Inner) ..... 4175[2]  
 Set (Inner) ..... SET8[2]  
 Set (Outer) ..... SET1[2]

### **CLUTCH**

#### **Release Bearing**

1993-1990 (4 Spd.)  
 Bearing Assembly ..... 614172  
 1993-1990 (5 Spd.)  
 Bearing Assembly ..... 614171

### **3-SPEED AUTOMATIC TRANSAXLE**

#### **Torque Converter**

1993-1990  
 Seal ..... 4072N

#### **Output Shaft**

1993-1990  
 Seal ..... 3543[2]  
 Kwik Slv (Opt Rpr) .....KWK99139[2]

#### **Selector Shaft Seal/Man. Shaft**

1993-1990  
 Seal ..... 8792S

### **4-SPEED MANUAL TRANSAXLE**

#### **Output Shaft**

1993-1990  
 Seal ..... 3543[2]  
 Kwik Slv (Opt Rpr) .....KWK99139[2]

### **5-SPEED MANUAL TRANSAXLE**

#### **Output Shaft**

1993-1990  
 Seal ..... 3543[2]  
 Kwik Slv (Opt Rpr) .....KWK99139[2]

### **ALTERNATOR**

1997-1990 (Nippondenso)  
 Ball Bearing (Drive End) ..... 302CC  
 Ball Bearing (Rear End) ..... 201CC  
 1991-1990 (Bosch)  
 Ball Bearing (Drive End) ..... 203FF  
 Ball Bearing (Rear End) ..... 201CC

### **CAMSHAFT SEAL**

#### **4 Cylinder**

1993-1990  
 Seal Viton ..... 1108  
 Kwik Slv (Opt Rpr) .....KWK99139

### **CRANKSHAFT FRONT SEAL**

#### **4 Cylinder**

1993-1990 1598cc/1.6  
 Seal ..... 710399  
 Kwik Slv (Opt Rpr) .....KWK99166  
 1990 1998cc/2.0L  
 Seal Viton ..... 710164  
 Kwik Slv (Opt Rpr) .....KWK99128

### **CRANKSHAFT REAR SEAL**

#### **4 Cylinder**

1993-1990 1598cc/1.6  
 Seal Viton ..... 228008  
 Kwik Slv (Opt Rpr) .....KWK99315  
 1990 1998cc/2.0L  
 Seal Viton ..... 710237  
 Kwik Slv (Opt Rpr) .....KWK99354

Mfg./Year	Model & Location	Part No	Mfg./Year	Model & Location	Part No
<b>PONTIAC TRUCK - SUV - Aztek</b>					

**FRONT WHEEL**

2005-2003 (w/o ABS)	
Hub Assembly .....	HA590048[2] <sup>25</sup>
2005-2001 (ABS)	
Hub Assembly .....	513187[2]

**REAR WHEEL**

2005-2003 (w/o ABS)	
Hub Assembly .....	512221[2]
2005-2001 (ABS)	
Hub Assembly .....	512237[2]

**4WD/AWD**

2005-2001	
Hub Assembly .....	513121[2] <sup>72</sup>

**4-SPEED AUTOMATIC TRANSAXLE**

**Torque Converter**

2003-2001 (4T65 E)	
Seal .....	4072N

**Output Shaft**

2003-2001 (4T65 E)	
Seal (LH) .....	100165
Kwik Slv (Opt Rpr) .....	KWK99139

**4-SPEED AUTOMATIC TRANSAXLE**

**Selector Shaft Seal/Man. Shaft**

2003-2001 (4T65 E)	
Seal .....	8792S

**POWER STEERING**

**Pump Shaft**

2003-2001	
Seal .....	7013S

**CRANKSHAFT FRONT SEAL**

**6 Cylinder**

2004-2001 207/3.4L	
Seal .....	9845
Kwik Slv (Opt Rpr) .....	KWK99176

**CRANKSHAFT REAR SEAL**

**6 Cylinder**

2004-2001 207/3.4L	
Seal .....	4307V
Seal PTFE H/D Opt .....	5273
Kwik Slv (Opt Rpr) .....	KWK99298

<b>PONTIAC TRUCK - MINIVAN, AWD MINIVAN - Montana, Trans Sport</b>					
--	--	--	--	--	--

**FRONT WHEEL**

2005-2001 (2nd Design)(ABS)	
Hub Assembly .....	513179[2] <sup>73</sup>
2003 (w/o ABS)	
Hub Assembly .....	513160[2]
2001-1997 (1st Design)(ABS)	
Hub Assembly .....	513121[2] <sup>72</sup>
1996-1992	
Hub Assembly .....	513087[2] <sup>45</sup>
1991-1990	
Hub Assembly .....	513016K[2] <sup>61</sup>
Seal Kit .....	5698[2] <sup>12</sup>

**REAR WHEEL**

2005 (Drum Brks.)	
Hub Assembly .....	512150[2]
2004-1997 (Drum Brks.)	
Hub Assembly .....	512078[2]
2003-1997 (Disc Brks.)	
Hub Assembly .....	512150[2]
1996-1992 (Drum Brks.)(Auto Level)	
Hub Assembly .....	512078[2]
1991-1990	
Hub Assembly .....	513018[2]

**REAR WHEEL**

**4WD/AWD**

2004-2002	
Hub Assembly .....	513121[2] <sup>72</sup>

**3-SPEED AUTOMATIC TRANSAXLE**

**Torque Converter**

1995-1990	
Seal .....	4072N

**Output Shaft**

1995-1990	
Seal .....	3543[2]
Kwik Slv (Opt Rpr) .....	KWK99139[2]

**Selector Shaft Seal/Man. Shaft**

1995-1990	
Seal .....	8792S

**4-SPEED AUTOMATIC TRANSAXLE**

**Torque Converter**

2002-1992	
Seal .....	4072N

<sup>12</sup>Opt. Kit Incls Seal & O Ring. Kit Incl w/ Hub Assy      <sup>25</sup>New Item, Check For Availability      <sup>45</sup>Brg  
 Flg Has Non-Threaded Mtg Holes      <sup>61</sup>Kit Incl, Seal, Hub Nut, & Brg Unit      <sup>72</sup>Stainless Steel Sensor Wire  
 Clip      <sup>73</sup>Plastic Sensor Wire Clip



# Bearings and Seals

Mfg./Year	Model & Location	Part No	Mfg./Year	Model & Location	Part No
-----------	------------------	---------	-----------	------------------	---------

## PONTIAC TRUCK - MINIVAN, AWD MINIVAN - Montana, Trans Sport (cont.)

### 4-SPEED AUTOMATIC TRANSAXLE

#### Output Shaft

<b>2002-1999</b> (4T65)	
Seal (LH) .....	100165
Seal (RH) .....	3543
Kwik Slv (Opt Rpr) .....	KWK99139[2]
<b>1998-1992</b> (4T40E)	
Seal (LH) .....	710096
Seal (RH) .....	3543
Kwik Slv (Opt Rpr) .....	KWK99139[2]

#### Selector Shaft Seal/Man. Shaft

<b>2002-1992</b>	
Seal .....	8792S

### ALTERNATOR

<b>1999-1992</b> (Delco)	
Ball Bearing (Rear End) .....	100CCAB
<b>1991-1990</b> (Delco)	
Ball Bearing (Drive End) .....	203FF

### CRANKSHAFT FRONT SEAL

#### 6 Cylinder

<b>2004-1990</b> 189/3.1L, 207/3.4L	
Seal .....	9845
Kwik Slv (Opt Rpr) .....	KWK99176
<b>1995-1992</b> 231/3.8L	
Seal Viton .....	710162
Kwik Slv (Opt Rpr) .....	KWK99193

### CRANKSHAFT REAR SEAL

#### 6 Cylinder

<b>2004-1990</b> 189/3.1L, 207/3.4L	
Seal .....	4307V
Seal PTFE H/D Opt .....	5273
Kwik Slv (Opt Rpr) .....	KWK99298
<b>1995-1992</b> 231/3.8L	
Seal Viton .....	320691
Kwik Slv (Opt Rpr) .....	KWK99328

## PONTIAC TRUCK - MINIVAN, AWD MINIVAN - Montana SV6

### FRONT WHEEL

<b>2005</b>	
Hub Assembly .....	HA590075[2]

### REAR WHEEL

<b>2005</b>	
Hub Assembly .....	HA590073[2]

### REAR WHEEL

#### 4WD/AWD

<b>2005</b>	
Hub Assembly .....	HA590075[2]

## PORSCHE

### FRONT WHEEL

<b>2003-1997</b> Boxster	
Ball Bearing .....	513106[2]
<b>2001-1990</b> 911 C2 (Turbo)(w/o 4WD)	
Ball Bearing .....	513106[2]
<b>1995-1992</b> 968	
Seal (Inner) .....	1012N[2]
Set (Inner) .....	SET17[2]
Set (Outer) .....	SET3[2]
<b>1995-1990</b> 928 (From Ch. # 861000)	
Seal (Inner) .....	1012N[2]
Set (Inner) .....	SET17[2]
Set (Outer) .....	SET3[2]
<b>1991-1990</b> 944	
Seal (Inner) .....	1012N[2]
Set (Inner) .....	SET17[2]
Set (Outer) .....	SET3[2]
<b>1990</b> 911 (Exc. 930, SC, C4)	
Seal (Inner) .....	1012N[2]
Set (Inner) .....	SET6[2]
Set (Outer) .....	SET2[2]

### REAR WHEEL

<b>2003-1997</b> 911 Ser.	
Ball Bearing .....	513180[2]
<b>2001-1997</b> Boxster	
Ball Bearing .....	513106[2]
<b>2001-1990</b> 911 (Turbo)	
Ball Bearing .....	513180[2]
<b>1994-1991</b> 968	
Ball Bearing .....	513180[2]
<b>1993-1990</b> 911 C2, C4 (w/o Turbo)	
Ball Bearing .....	513180[2]
<b>1992-1990</b> 928	
<b>1991-1990</b> 944 Ser.	
Ball Bearing .....	513180[2]

### FRONT AXLE

#### Differential

<b>2000-1990</b> 911 Carrera 4	
Cone/Cup (LH) .....	XAC32010X-Y32010X
Bearing Assembly (RH) .....	30210M

Mfg./Year	Model & Location	Part No	Mfg./Year	Model & Location	Part No
-----------	------------------	---------	-----------	------------------	---------

**PORSCHE (cont.)**

**FRONT AXLE**

**Pinion**

<b>2000-1990</b>	911 Carrera 4	
	Cone/Cup (Inner)	HM89449-HM89410
	Cone/Cup (Outer)	M88048-M88010

**REAR AXLE**

**Differential**

<b>1993-1992</b>	968 (A/T)	
	Cone/Cup (LH)	LM806649-LM806610
	Cone/Cup (RH)	LM300849-LM300811
<b>1993-1992</b>	968 (M/T)	
	Cone/Cup (LH)	LM501344-LM501310
	Cone/Cup (RH)	LM300849-LM300811
<b>1993-1990</b>	911 C2 Coupe, C4 Coupe	
	Bearing Assembly (LH)	30210M
<b>1993-1990</b>	911 C2 Cab, C4 Cab	
	Cone/Cup	XAA32010XM-Y32010XM[2]
<b>1993-1990</b>	911 Targa	
	Cone	XAA32010XM[2]
<b>1993-1990</b>	928 Ser.	
	Cone	XAA32010XM[2]
<b>1991-1990</b>	944 (A/T)	
	Cone/Cup	LM300849-LM300811[2]
<b>1991-1990</b>	944, 944 (Turbo)(M/T)	
	Set (LH)	SET45
	Cone/Cup (RH)	LM300849-LM300811
<b>1990</b>	924 (5 Spd. Man.)	
	Set (LH)	SET45
	Cone/Cup (RH)	LM300849-LM300811
<b>1990</b>	924 (A/T)	
	Cone/Cup (LH)	LM300849-LM300811

**CLUTCH**

**Release Bearing**

<b>1994-1992</b>	968	
	Bearing Assembly	614132 <sup>30</sup>
<b>1994-1990</b>	911 6 Cyl.	
	Bearing Assembly	614137 <sup>30</sup>
<b>1991-1990</b>	944	
	Bearing Assembly	614132 <sup>30</sup>

**3-SPEED AUTOMATIC TRANSAXLE**

**Torque Converter**

<b>1991-1990</b>	(VW 087)	
	Seal	3083
	Kwik Slv (Opt Rpr)	KWK99169

**Output Shaft**

<b>1991-1990</b>	(VW 087)	
	Seal	224520[2]
	Kwik Slv (Opt Rpr)	KWK99177

**3-SPEED AUTOMATIC TRANSAXLE**

**Differential**

<b>1991-1990</b>	(VW 087)	
	Cone/Cup	LM300849-LM300811[2]

**Pinion**

<b>1991-1990</b>	(VW 087)	
	Seal (Inner)	222820
	Cone/Cup (Inner)	M88048-M88010
	Kwik Slv (Opt Rpr)	KWK99111
	Seal (Outer)	1012N
	Cone/Cup (Outer)	M86649-M86610
	Kwik Slv (Opt Rpr)	KWK99177

**5-SPEED MANUAL TRANSAXLE**

**Differential**

<b>1997-1990</b>	(Getrag G28, G50, G64)	
	Bearing Assembly	32010X

**Input Shaft**

<b>1995-1990</b>	(VW 016)	
	Seal	222540
	Kwik Slv (Opt Rpr)	KWK99098

**Output Shaft**

<b>1997-1990</b>	(Getrag G50, G64)	
	Seal	224560[2]
	Kwik Slv (Opt Rpr)	KWK99177
<b>1995-1990</b>	(VW 016)	
	Seal	224520[2]
	Kwik Slv (Opt Rpr)	KWK99177
<b>1991-1990</b>	(Getrag G28)	
	Seal	224820[2]
	Kwik Slv (Opt Rpr)	KWK99189

**CAMSHAFT SEAL**

**4 Cylinder**

<b>1995-1990</b>	2474cc/2.5L, 2980cc/3.0L	
	Seal	223020
	Kwik Slv (Opt Rpr)	KWK99114

**8 Cylinder**

<b>1995-1990</b>	4957cc/5.0L, 5397cc/5.4L	
	Seal	223020
	Kwik Slv (Opt Rpr)	KWK99114

**CRANKSHAFT FRONT SEAL**

**6 Cylinder**

<b>1999-1997</b>	2480cc/2.5L	
	Seal Viton	710196
	Kwik Slv (Opt Rpr)	KWK99157
<b>1993-1990</b>	3164cc/3.2L, 3299cc/3.3L	
	Seal	226020
	Kwik Slv (Opt Rpr)	KWK99235

<sup>30</sup>Ball Brg Style Release Brg Replaces Original Style Carbon Brg

# Bearings and Seals

Mfg./Year	Model & Location	Part No	Mfg./Year	Model & Location	Part No
-----------	------------------	---------	-----------	------------------	---------

## PORSCHE (cont.)

### CRANKSHAFT REAR SEAL

#### 4 Cylinder

1995-1990	2474cc/2.5L, 2980cc/3.0L	
Seal	.....	229010
Kwik Slv (Opt Rpr)	.....	KWK99354

#### 6 Cylinder

2002-2001	3608cc/3.6L	
Seal	.....	229010
Kwik Slv (Opt Rpr)	.....	KWK99354
1999-1997	2480cc/2.5L	
Seal	.....	716102
Kwik Slv (Opt Rpr)	.....	KWK99333
1998-1990	2994cc/3.0L, 3164cc/3.2L, 3299cc/3.3L, 3608cc/3.6L	
Seal	.....	229010
Kwik Slv (Opt Rpr)	.....	KWK99354

### 8 Cylinder

1995-1990	4474cc/4.5L, 4670cc/4.7L, 4957cc/5.0L, 5397cc/5.4L	
Seal	.....	229010
Kwik Slv (Opt Rpr)	.....	KWK99354

## ROLLS ROYCE - includes BENTLEY chassis

### FRONT WHEEL

1992-1990	Corniche	
Cone/Cup (Inner)	.....	LM29749-LM29710[2]
Set (Outer)	.....	SET4[2]
1992-1990	Silver Spur	
Cone/Cup (Inner)	.....	LM29749-LM29710[2]
Set (Outer)	.....	SET4[2]
1992-1990	Silver Spirit	
Cone/Cup (Inner)	.....	LM29749-LM29710[2]
Set (Outer)	.....	SET4[2]

### REAR WHEEL

1992-1990	Corniche I, II, III	
Cone/Cup (Inner)	.....	18790-18720[2]
Cone/Cup (Outer)	.....	18690-18620[2]
1990	Silver Spur I, II	
Cone/Cup (Inner)	.....	18790-18720[2]
Cone/Cup (Outer)	.....	18690-18620[2]
1990	Silver Spirit I, II	
Cone/Cup (Inner)	.....	18790-18720[2]
Cone/Cup (Outer)	.....	18690-18620[2]

### REAR AXLE

#### Differential

1992-1990		
Cone/Cup (LH)	.....	29590-29520
Cone/Cup (RH)	.....	368A-362A

#### Pinion

1990	Corniche	
Cone/Cup (Inner)	.....	18790-18720
Cone/Cup (Outer)	.....	18690-18620
1990	Silver Spur	
Cone/Cup (Inner)	.....	18790-18720
Cone/Cup (Outer)	.....	18690-18620

### REAR AXLE (cont.)

#### Pinion (cont.)

1990	Silver Spirit	
Cone/Cup (Inner)	.....	18790-18720
Cone/Cup (Outer)	.....	18690-18620

### 3-SPEED AUTOMATIC TRANSMISSION

#### Torque Converter

1990	(THM400)	
Seal	.....	6712NA
Kwik Slv (Opt Rpr)	.....	KWK99187

#### Rear Seal/Ext. Housing

1990	(THM400)	
Seal	.....	9449
Seal Kit	.....	5208 <sup>64</sup>

#### Selector Shaft Seal/Man. Shaft

1990	(THM400)	
Seal	.....	8792S

### 4-SPEED AUTOMATIC TRANSMISSION

#### Torque Converter

1992-1991	(4L80E)	
Seal	.....	4598
Kwik Slv (Opt Rpr)	.....	KWK99199

#### Rear Seal/Ext. Housing

1992-1991	(4L80E)	
Seal	.....	9449
Seal Kit	.....	5208 <sup>64</sup>

**ROLLS ROYCE - includes BENTLEY chassis (cont.)**

**4-SPEED AUTOMATIC TRANSMISSION**

**Selector Shaft Seal/Man. Shaft**

1992-1991 (4L80E)  
Seal .....8792S

**ROVER TRUCK - SUV - Defender 90, Defender 110, Discovery, LR3, Range Rover**

**FRONT WHEEL**

2005 LR3 (T5 Platform)  
Hub Assembly ..... HA500601[2]<sup>25</sup>  
1999-1994 Discovery  
Set ..... SET37[2]  
1999-1990 Range Rover  
Set ..... SET37[2]  
1997-1993 Defender 90, 110  
Set ..... SET37[2]

**REAR WHEEL**

1999-1994 Discovery  
Set ..... SET37[2]  
1999-1990 Range Rover  
Set ..... SET37[2]  
1997-1993 Defender 90, 110  
Set ..... SET37[2]

**4WD FRONT AXLE**

**Differential**

1997-1993 From Mid Year 1993  
Set ..... SET47[2]  
1993-1990 (To Mid Year 1993)  
Set ..... SET45[2]

**Pinion**

1999-1990  
Cone/Cup (Inner) ..... M88046-M88010  
Cone/Cup (Outer) ..... HM801346X-HM801310

**Steering Knuckle**

1999-1990  
Cone/Cup ..... 11590-11520[2]

**REAR AXLE**

**Differential**

1997-1993 From Mid Year 1993  
Set ..... SET47[2]  
1993-1990 (To Mid Year 1993)  
Set ..... SET45[2]

**Pinion**

1999-1990  
Cone/Cup (Inner) ..... M88046-M88010  
Cone/Cup (Outer) ..... HM801346X-HM801310

**TRANSFER CASE REBUILD KIT**

1996-1990 Range Rover  
Kit .....TCRK1361

**4-SPEED AUTOMATIC TRANSMISSION**

**Torque Converter**

2002-1990 (ZF 4HP 22, ZF 4HP 24)  
Seal .....224052  
Kwik Slv (Opt Rpr) .....KWK99157

**Rear Seal/Ext. Housing**

2002-1990 (ZF4HP22, ZF4HP24)  
Seal .....710140

**SAAB - 93, 900, 9000**

**FRONT WHEEL**

2004-2003 9 3 (Convertible)  
Ball Bearing .....510052[2]  
2004-2003 9 3 (Sedan)  
Hub Assembly .....513191[2]  
2004-2002 9 5  
Hub Assembly .....513192[2]  
2002 9 3  
Ball Bearing .....510052[2]  
1998-1994 900  
Ball Bearing .....510052[2]

**FRONT WHEEL (cont.)**

1998-1990 9000  
Hub Assembly .....513126[2]  
1993-1990 900  
Ball Bearing .....513106[2]

**REAR WHEEL**

2004-2003 9 3 (Convertible)  
Hub Assembly .....512145[2]  
2004-1999 9 5  
Hub Assembly .....512232[2]

<sup>25</sup>New Item, Check For Availability

# Bearings and Seals

Mfg./Year	Model & Location	Part No	Mfg./Year	Model & Location	Part No
-----------	------------------	---------	-----------	------------------	---------

## SAAB - 93, 900, 9000 (cont.)

### REAR WHEEL (cont.)

2002-1999	9 3	
	Hub Assembly	512145[2]
1998-1994	900	
	Hub Assembly	512145[2]
1998-1990	9000	
	Hub Assembly	512146[2]
1993-1990	900	
	Hub Assembly	512146[2]

### CLUTCH

#### Pilot Bearing

1992-1990	900	
	Ball Bearing	202FF

#### Release Bearing

1990	900, 9000	
	Bearing Assembly	614080

### 4-SPEED AUTOMATIC TRANSAXLE

#### Differential

1997-1990	(ZF 4HP 14, 4HP 18Q)	
	Cone/Cup (LH)	LM806649-LM806610
	Cone/Cup (RH)	LM300849-LM300811

#### Torque Converter

2002-1994	(Aisin 50 40, 50 42)	
	Seal	223830
	Kwik Slv (Opt Rpr)	KWK99147
1994-1990	(ZF 4HP 14)	
	Seal	225110
	Kwik Slv (Opt Rpr)	KWK99187

#### Output Shaft

2002-1994	(Aisin 50 40, 50 42)	
	Seal (LH)	712551
	Seal (RH)	710112

#### Selector Shaft Seal/Man. Shaft

2002-1994	(Aisin 50 40, 50 42)	
	Seal	221207
	Kwik Slv (Opt Rpr)	KWK99049

### 5-SPEED MANUAL TRANSAXLE

#### Differential

1993-1990	9000	
	Cone/Cup (LH)	LM300849-LM300811
	Set (RH)	SET45
1992-1990	99, 900	
	Seal	223510[2]
	Set	SET45[2]
	Kwik Slv (Opt Rpr)	KWK99139

### 5-SPEED MANUAL TRANSAXLE

#### Input Shaft

1993-1990	9000	
	Set (Frnt)	SET4
	Cone/Cup (Rr)	15106-15245
1992-1990	99, 900	
	Cone/Cup	M84548-M84510

#### Output Shaft

1993-1990	9000	
	Bearing Assembly (LH)	32008XM
	Cone/Cup (RH)	15106-15245

#### Pinion

1992-1990	99, 900	
	Cone/Cup (Inner)	HM88649-HM88610
	Cone/Cup (Outer)	M88048-M88010

### CAMSHAFT SEAL

#### 6 Cylinder

2002-1994	2498cc/2.0L, 2962cc/3.0L	
	Seal	714436
	Kwik Slv (Opt Rpr)	KWK99139

### CRANKSHAFT FRONT SEAL

#### 4 Cylinder

2002-1990	1985cc/2.0L, 2119cc/2.1L, 2290cc/2.3L	
	Seal	331227H
	Kwik Slv (Opt Rpr)	KWK99187

### CRANKSHAFT REAR SEAL

#### 4 Cylinder

2003-1990	1985cc/2.0L, 2119cc/2.1L, 2290cc/2.3L	
	Seal	3772

#### 6 Cylinder

2003-1994	2498cc/2.5L, 2962cc/3.0L	
	Seal	710514

**FRONT WHEEL**

2006-2004	Ion (Red Line)	
	Hub Assembly .....	HA590086[2]
2006-2003	Ion (ABS)(Exc. Red Line)	
	Hub Assembly .....	HA590068[2]
2006-2003	Ion (w/o ABS)(Exc. Red Line)	
	Hub Assembly .....	HA590069[2]
2004-2000	L Ser.	
	Ball Bearing .....	510052[2]
2002-1994	S Ser.	
	Ball Bearing .....	510024[2]
	Hub Assembly .....	HA590156K[2]
1993-1991		
	Ball Bearing .....	510024[2]
	Hub Assembly .....	HA590155K[2]

**REAR WHEEL**

2006-2004	Ion (Red Line)(Disc)	
	Hub Assembly .....	HA590088[2]
2006-2003	Ion (ABS)(Exc. Red Line)(Drum)	
	Hub Assembly .....	HA590066[2]
2006-2003	Ion (w/o ABS)(Exc. Red Line)(Drum)	
	Hub Assembly .....	HA590067[2]
2004-2000	L Ser. (ABS)	
	Hub Assembly .....	512238[2]
2004-2000	L Ser. (w/o ABS)	
	Hub Assembly .....	512239[2]
2002-1991	S Ser. (ABS)	
	Hub Assembly .....	512002[2]
2002-1991	S Ser. (w/o ABS)	
	Hub Assembly .....	512000[2]

**TRANSMISSION REBUILD KIT**

2003-1991	(SAT1)	
	Kit .....	TRKFG120

**CLUTCH**

**Release Bearing**

1997-1991		
	Bearing Assembly .....	614161

**4-SPEED AUTOMATIC TRANSAXLE**

**Differential**

2002-1991	(TAAT)	
	Seal Viton .....	714616[2]
	Ball Bearing .....	208

**Torque Converter**

2002-1991	(TAAT)	
	Seal Viton .....	4615V
	Kwik Slv (Opt Rpr) .....	KWK99166

**4-SPEED AUTOMATIC TRANSAXLE**

**Input Shaft**

2003-2002		
	Ball Bearing .....	FC69598

**Output Shaft**

2002-1991	(TAAT)	
	Seal (LH) .....	4613N
	Seal (RH) .....	4614N

**Selector Shaft Seal/Man. Shaft**

2002-1995	(TAAT)	
	Seal .....	4701N
1994	(TAAT)(1st Design)	
	Seal .....	718610
1994	(TAAT)(2nd design)	
	Seal .....	4701N
1993-1991	(TAAT)	
	Seal .....	718610

**5-SPEED AUTOMATIC TRANSAXLE**

**Differential**

1996-1991	(TAMT)	
	Ball Bearing .....	208

**5-SPEED MANUAL TRANSAXLE**

**Differential**

2002-1991	(TAMT)	
	Ball Bearing .....	208

**Output Shaft**

2002-1991	(TAMT)	
	Seal (LH) .....	4613N
	Seal (RH) .....	4614N
	Needle Bearing (RH) .....	F213118 <sup>16</sup>

**POWER STEERING**

**Pump Shaft**

1999-1991	(Saginaw pump)	
	Seal .....	7013S

**CAMSHAFT SEAL**

**6 Cylinder**

2002-2000	2962cc/3.0L	
	Seal .....	714436
	Kwik Slv (Opt Rpr) .....	KWK99139

**CRANKSHAFT FRONT SEAL**

**4 Cylinder**

2004	2198cc/2.2L ION	
	Seal .....	9845
2002-1991	116/1.9L	
	Seal Viton .....	324204

<sup>16</sup>Part Obsolete, Check For Availability, While Supplies Last

# Bearings and Seals

Mfg./Year	Model & Location	Part No	Mfg./Year	Model & Location	Part No
-----------	------------------	---------	-----------	------------------	---------

## **SATURN - Ion, LS, LW, SC, SC1, SC2, SL, SL1, SL2, SW1, SW2 (cont.)**

### **CRANKSHAFT FRONT SEAL**

#### **6 Cylinder**

2004-2000 2962cc/3.0L  
Seal ..... 223750

### **CRANKSHAFT REAR SEAL**

#### **4 Cylinder**

2004-2000 135/2.2L  
Seal ..... 4307V  
2002-1991 116/1.9L  
Seal Viton ..... 327995  
Seal PTFE H/D ..... 5273  
Kwik Slv (Opt Rpr) ..... KWK99298

### **6 Cylinder**

2004-2000 2962cc/3.0L  
Seal ..... 4307V

## **SATURN TRUCK - SUV & Van - Relay**

### **REAR WHEEL**

2005  
Hub Assembly ..... HA590073[2]

## **SATURN TRUCK - SUV & Van - VUE**

### **FRONT WHEEL**

2006-2002 (w/o ABS)  
Hub Assembly ..... 513190[2]  
2006-2000 (ABS)  
Hub Assembly ..... 513189[2]

### **REAR WHEEL**

2006-2002 (ABS)  
Hub Assembly ..... 512229[2]  
2006-2002 (w/o ABS)  
Hub Assembly ..... 512230[2]

### **4WD/AWD**

2006-2002 (ABS)  
Hub Assembly ..... 512229[2]  
2006-2002 (w/o ABS)  
Hub Assembly ..... 512230[2]

### **REAR AXLE**

#### **Pinion**

2005-2002  
Cone/Cup (Inner) ..... M88048-M88010  
Cone/Cup (Outer) ..... M86649-M86610

### **CRANKSHAFT FRONT SEAL**

#### **6 Cylinder**

2003-2002 2962cc/3.0L  
Seal ..... 223750

### **CRANKSHAFT REAR SEAL**

#### **4 Cylinder**

2004-2002 135/2.2L  
Seal ..... 4307V

#### **6 Cylinder**

2003-2002 2962cc/3.0L  
Seal ..... 4307V

## **SCION - xA, xB, tC**

### **FRONT WHEEL**

#### **2WD**

2006-2005 SCION TC  
Ball Bearing ..... 510070[2]  
2004-2003 SCION XA, XB  
Ball Bearing ..... 510062[2]

### **REAR WHEEL**

2006-2005 SCION TC  
Hub Assembly ..... HA590040[2]<sup>25</sup>  
2004-2003 SCION XA, XB  
Hub Assembly ..... HA594245[2]

Mfg./Year	Model & Location	Part No	Mfg./Year	Model & Location	Part No
-----------	------------------	---------	-----------	------------------	---------

**STERLING - Honda automobiles - England**

**FRONT WHEEL**  
 1991-1990 825, 827  
 Ball Bearing ..... 513052[2]

**REAR WHEEL**  
 1991-1990 825, 827  
 Ball Bearing ..... 513051[2]

**CLUTCH**  
**Release Bearing**  
 1991-1990 827SLi  
 Bearing Assembly ..... 614068

**4-SPEED AUTOMATIC TRANSAXLE**  
**Differential**  
 1991-1990 (G3T4)  
 Bearing Assembly ..... 30208M

**Torque Convertor**  
 1991-1990 (G3T4, G4)  
 Seal ..... 350609

**Output Shaft**  
 1991-1990 (G3T4, G4)  
 Seal Viton ..... 224026[2]  
 Kwik Slv (Opt Rpr) .....KWK99157

**Selector Shaft Seal/Man. Shaft**  
 1991-1990 (G3T4, G4)  
 Seal ..... 221207  
 Kwik Slv (Opt Rpr) .....KWK99049

**5-SPEED MANUAL TRANSAXLE**  
**Differential**  
 1991-1990 (C3P4, PL5X)  
 Cone/Cup (LH) .....XAA32008X-Y32008X  
 Bearing Assembly (RH) ..... 32010X

**Output Shaft**  
 1991-1990 (C3P4, PL5X)  
 Seal Viton ..... 224026[2]  
 Kwik Slv (Opt Rpr) .....KWK99157

**A/C COMPRESSOR**  
 1990 (Nippondenso 10P15)(axial)  
 Ball Bearing ..... 5000KFF  
 1990 (Nippondenso 10P17)(axial)  
 Ball Bearing ..... 5000KFF

**ALTERNATOR**  
 1990 (Nippondenso)  
 Ball Bearing (Drive End) ..... 203FF  
 Ball Bearing (Rear End) ..... 201CC

**POWER STEERING**  
**Pump Shaft**  
 1991-1990 827 Ser.  
 Seal ..... 221620

**CAMSHAFT SEAL**  
**6 Cylinder**  
 1991-1990 2494cc/2.5L, 2675cc/2.7L  
 Seal Viton ..... 713771  
 Kwik Slv (Opt Rpr) .....KWK99139

**CRANKSHAFT FRONT SEAL**  
**6 Cylinder**  
 1991-1990 2494cc/2.5L, 2675cc/2.7L  
 Seal ..... 711181

**CRANKSHAFT REAR SEAL**  
**6 Cylinder**  
 1991-1990 2494cc/2.5L, 2675cc/2.7L  
 Seal Viton ..... 228008  
 Kwik Slv (Opt Rpr) .....KWK99315

**SUBARU AWD - Impreza, Justy, Legacy, Loyale, Outback, SVX, XT**

**FRONT WHEEL**  
 2006-2005 Legacy, Outback  
 Hub Assembly ..... HA590118[2]<sup>25</sup>  
 2005-1993 Impreza  
 Seal (Inner) ..... 1993[2]  
 Bearing Assembly (Inne ..... 517008[2]  
 Seal (Outer) ..... 225650[2]  
 2004-2000 Outback  
 Seal (Inner) ..... 1993[2]  
 Bearing Assembly (Inne ..... 517008[2]  
 Seal (Outer) ..... 225650[2]

**FRONT WHEEL (cont.)**  
 2004-1990 Legacy  
 Seal (Inner) ..... 1993[2]  
 Bearing Assembly (Inne ..... 517008[2]  
 Seal (Outer) ..... 225650[2]  
 1997-1992 SVX  
 Seal (Inner) ..... 710229[2]  
 Bearing Assembly (Inne ..... 517007[2]  
 Seal (Outer) ..... 710231[2]

<sup>25</sup>New Item, Check For Availability



# Bearings and Seals

Mfg./Year	Model & Location	Part No	Mfg./Year	Model & Location	Part No
<b><i>SUBARU AWD - Impreza, Justy, Legacy, Loyale, Outback, SVX, XT (cont.)</i></b>					

## FRONT WHEEL (cont.)

<b>1994-1990</b>	Loyale Ser.	
	Ball Bearing	207[2]
	Seal (Outer)	225230[2]
	Seal (Inner)	710230[2]
<b>1994-1990</b>	Justy	
	Ball Bearing	206WB[2]
	Seal (Outer)	224462[2]
	Seal (Inner)	1974[2]
<b>1992-1990</b>	XT6	
	Seal (Inner)	710230[2]
	Bearing Assembly (Inne	513015[2]
	Seal (Outer)	225230[2]
<b>1992-1990</b>	XT Ser. (Exc. XT6)	
	Ball Bearing	207[2]
	Seal (Outer)	225230[2]
	Seal (Inner)	710230[2]

## REAR WHEEL

<b>2006-2005</b>	Legacy, Outback	
	Hub Assembly	HA590119[2] <sup>25</sup>
<b>2005-1993</b>	Impreza (4WD)(w/o WXR)	
	Seal (Inner)	710226[2]
	Ball Bearing (Inner)	511023[2]
	Seal (Intermediate)	225005[2]
	Seal (Outer)	710529[2]
<b>2004</b>	Impreza (WXR)	
	Bearing Assembly	516003[2]
<b>2004-2000</b>	Legacy (4WD)	
	Bearing Module	512183[2]
<b>2004-2000</b>	Outback	
	Bearing Module	512183[2]
<b>1999-1990</b>	Legacy (4WD)	
	Seal (Inner)	710266[2]
	Bearing Assembly (Inne	513248[2]
	Seal (Intermediate)	225005[2]
	Seal (Outer)	710529[2]
<b>1997-1993</b>	Impreza (2WD)(ABS)	
	Hub Assembly	512036[2]
<b>1997-1992</b>	SVX	
	Bearing Assembly	516003[2]
<b>1997-1991</b>	Legacy (2WD)(ABS)	
	Hub Assembly	512036[2]
<b>1996-1993</b>	Impreza (2WD)(w/o ABS)	
	Hub Assembly	512036[2]
<b>1996-1990</b>	Legacy (2WD)(w/o ABS)	
	Hub Assembly	512036[2]
<b>1994-1990</b>	Justy (4WD)	
	Seal (Inner)	710228[2]
	Ball Bearing (Inner)	305AG[2]
	Seal (Outer)	710227[2]
	Ball Bearing (Outer)	206WB[2]
<b>1994-1990</b>	Justy (2WD)	
	Seal (Inner)	223830[2]
	Bearing Assembly (Inne	30205M[2]
	Bearing Assembly	
	(Outer)	30204M[2]
<b>1993-1990</b>	Loyale (4WD)	
	Seal (Inner)	224015[2]
	Bearing Assembly (Inne	513056[2]
	Seal (Outer)	225005[2]

## REAR WHEEL (cont.)

<b>1993-1990</b>	Loyale (FWD)	
	Seal (Inner)	1984[2]
	Bearing Assembly (Inne	30206M[2]
	Bearing Assembly	
	(Outer)	30204M[2]
<b>1991-1990</b>	XT (4WD)	
	Seal (Inner)	224015[2]
	Bearing Assembly (Inne	513056[2]
	Seal (Outer)	225005[2]
<b>1991-1990</b>	XT (4WD)(Turbo)	
	Seal (Inner)	1984[2]
	Bearing Assembly (Inne	30206M[2]
	Bearing Assembly	
	(Outer)	30204M[2]

## REAR AXLE

### Differential

<b>1997-1990</b>	Exc. Justy (4WD)	
	Seal	223255[2]
	Bearing Assembly	30208M[2]
<b>1994-1990</b>	Justy (4WD)	
	Seal	222745[2]
	Bearing Assembly	32007XM[2]

### Pinion

<b>1997-1990</b>	Exc. Justy (4WD)	
	Bearing Assembly (Inne	32306
	Seal (Outer)	1173
	Bearing Assembly	
	(Outer)	32305
	Ball Bearing Pilot	30565
<b>1994-1990</b>	Justy (4WD)	
	Bearing Assembly (Inne	30206M
	Seal (Outer)	710267

## CLUTCH

### Pilot Bearing

<b>2002-1990</b>	(4WD)	
	Ball Bearing	201CC

## CLUTCH - 3 CYLINDER

### Release Bearing

<b>1994-1991</b>	1189cc/1.2	
	Bearing Assembly	614160

## CLUTCH - 4 CYLINDER

### Release Bearing

<b>2002-1990</b>	1820cc/1.8, 2212cc/2.2, 2457cc/2.5	
	Bearing Assembly	614159
<b>1992-1990</b>	1781cc/1.8L, 1781cc/1.8L (Turbo)	
	Bearing Assembly	614059

Mfg./Year	Model & Location	Part No	Mfg./Year	Model & Location	Part No
<b>SUBARU AWD - Impreza, Justy, Legacy, Loyale, Outback, SVX, XT (cont.)</b>					

**CLUTCH - 6 CYLINDER**

**Release Bearing**

1991-1990 2672CC/2.7L  
 Bearing Assembly ..... 614059

**AUTOMATIC TRANSAXLE**

**Output Shaft**

1994-1990 (TB40, TS40, CVT)  
 Seal ..... 222745  
 Kwik Slv (Opt Rpr) .....KWK99106

**Countershaft**

1994-1990 (TB40, TS40, CVT)  
 Needle Bearing .....HK1512

**Differential**

1994-1990 (TB40, TS40, CVT)  
 Ball Bearing (LH) ..... 207S  
 Ball Bearing (RH) ..... 207

**3-SPEED AUTOMATIC TRANSAXLE**

**Torque Converter**

1994-1990 (TA86, TX86, T71T, T81M,  
 T81T, T81X)  
 Seal Viton ..... 2025  
 Kwik Slv (Opt Rpr) .....KWK99169

**Output Shaft**

1994-1990 (TA86, TX86, T71T, T81M,  
 T81T, T81X)  
 Seal ..... 222745[2]  
 Kwik Slv (Opt Rpr) .....KWK99106

**4-SPEED AUTOMATIC TRANSAXLE**

**Differential**

2002-1990 (TZ1A2, TZ102)  
 Bearing Assembly ..... 30208M

**Torque Converter**

2002-1990 (TZ1A2, TA102, TZ102)  
 Seal ..... 225010  
 Kwik Slv (Opt Rpr) .....KWK99196

**Output Shaft**

2002-1990 (TZ1A2, TA102, TZ102)  
 Seal ..... 223050[2]  
 Kwik Slv (Opt Rpr) .....KWK99114

**Oil Pump**

2002-1990 (TZ1A2, TA102, TZ102)  
 Seal ..... 710265

**4-SPEED AUTOMATIC TRANSAXLE**

**Extension Housing**

1996-1995 (TA102)  
 Seal ..... 3771  
 Kwik Slv (Opt Rpr) .....KWK99139  
 1994-1990 (TA102, TZ102)  
 Seal ..... 3771  
 Kwik Slv (Opt Rpr) .....KWK99139

**5-SPEED MANUAL TRANSAXLE**

**Differential**

2002-1998 (TY752, TY754)  
 Bearing Assembly ..... 30208M  
 1994-1990 (TM64F, TW64F)  
 Ball Bearing (LH) ..... 207S  
 Ball Bearing (RH) ..... 207

**Input Shaft**

2002-1999 (TY754)  
 Seal ..... 222558  
 Kwik Slv (Opt Rpr) .....KWK99098  
 2002-1990 (TM702, TM752)  
 Seal ..... 222240  
 Kwik Slv (Opt Rpr) .....KWK99085  
 1994-1990 (TM64F, TW64F)  
 Seal ..... 222030  
 Ball Bearing ..... 205BB  
 Kwik Slv (Opt Rpr) .....KWK99078  
 1994-1990 (TW75F, TY75F)  
 Seal ..... 222558  
 Ball Bearing ..... 305AG  
 Kwik Slv (Opt Rpr) .....KWK99098

**Output Shaft**

2002-1999 (TY754)  
 Seal ..... 223050[2]  
 Kwik Slv (Opt Rpr) .....KWK99114  
 2002-1990 (TY752)  
 Seal ..... 223050[2]  
 Kwik Slv (Opt Rpr) .....KWK99114  
 1996-1990 (TM50F, TM55F, TM60F,  
 TM64F, TW64F, TM70F)  
 Seal ..... 222745[2]  
 Kwik Slv (Opt Rpr) .....KWK99106  
 1996-1990 (TM702, T71G, T71W, T72G,  
 TM75F, TW75F, TM752,  
 T81G)  
 Seal ..... 222745[2]  
 Kwik Slv (Opt Rpr) .....KWK99106

**Extension Housing**

1994-1990 (TM50F, TM60F, TM70F,  
 T71G, T72G, TM75F, TW75F,  
 T81G)  
 Seal ..... 221820  
 1994-1990 (TM55F, T71W, TY75F,  
 TY752)  
 Seal ..... 3771  
 Kwik Slv (Opt Rpr) .....KWK99139

# Bearings and Seals

Mfg./Year	Model & Location	Part No	Mfg./Year	Model & Location	Part No
-----------	------------------	---------	-----------	------------------	---------

## ***SUBARU AWD - Impreza, Justy, Legacy, Loyale, Outback, SVX, XT (cont.)***

### **ALTERNATOR**

1992-1990	Hitachi 50, 55, 60, 65 Amp.	
	Ball Bearing (Drive End) .....	303CC
	Ball Bearing (Rear End) .....	201CC

### **CAMSHAFT SEAL**

#### **3 Cylinder**

1994-1990	1189cc/1.2	
	Seal .....	223018
	Kwik Slv (Opt Rpr) .....	KWK99114

#### **4 Cylinder**

2002-1996	2457cc/2.5L	
	Seal .....	223230
	Kwik Slv (Opt Rpr) .....	KWK99128
2001-1990	1820cc/1.8L, 2212cc/2.2L	
	Seal .....	223230
	Kwik Slv (Opt Rpr) .....	KWK99128
1994-1990	1781cc/1.8L, 1781cc/1.8L (Turbo)	
	Seal .....	223830
	Kwik Slv (Opt Rpr) .....	KWK99147

#### **6 Cylinder**

2002-2001	2999cc/3.0L	
	Seal .....	223230
	Kwik Slv (Opt Rpr) .....	KWK99128
1996-1992	3318cc/3.3L	
	Seal .....	223230
	Kwik Slv (Opt Rpr) .....	KWK99128
1991-1990	2672cc/2.7L	
	Seal .....	223830
	Kwik Slv (Opt Rpr) .....	KWK99147

### **CRANKSHAFT FRONT SEAL**

#### **3 Cylinder**

1994-1990	1189cc/1.2	
	Seal .....	710233

### **CRANKSHAFT FRONT SEAL**

#### **4 Cylinder**

1994-1990	1781cc/1.8L	
	Seal .....	1038
	Kwik Slv (Opt Rpr) .....	KWK99147

#### **6 Cylinder**

1991-1990	2672cc/2.7L	
	Seal .....	223230
	Kwik Slv (Opt Rpr) .....	KWK99147

### **CRANKSHAFT REAR SEAL**

#### **3 Cylinder**

1994-1990	1189cc/1.2	
	Seal .....	710234

#### **4 Cylinder**

2003-1990	1820cc/1.8, 2212cc/2.2, 2457cc/2.5	
	Seal Viton .....	710235
1994-1990	1781cc/1.8L, 1781cc/1.8L (Turbo)	
	Seal .....	1019S
	Kwik Slv (Opt Rpr) .....	KWK99298

#### **6 Cylinder**

2003-2001	2999cc/3.0L	
	Seal Viton .....	710235
1996-1992	3318cc/3.3L	
	Seal Viton .....	710235
1991-1990	2672cc/2.7L	
	Seal .....	1019S
	Kwik Slv (Opt Rpr) .....	KWK99298

## ***SUBARU TRUCK - Pickup, SUV - Baja, Forester***

### **FRONT WHEEL**

2006-2003	Baja	
	Seal (Inner) .....	1993[2]
	Bearing Assembly (Inne) .....	517008[2]
	Seal (Outer) .....	225650[2]
2005-1998	Forester	
	Seal (Inner) .....	1993[2]
	Bearing Assembly (Inne) .....	517008[2]
	Seal (Outer) .....	225650[2]

### **REAR WHEEL**

2006-2003	Baja	
	Bearing Module .....	512183[2]

### **REAR WHEEL (cont.)**

2005-1998	Forester	
	Seal (Inner) .....	710226[2]
	Ball Bearing (Inner) .....	511023[2]
	Seal (Intermediate) .....	225005[2]
	Seal (Outer) .....	710529[2]

### **REAR AXLE**

#### **Differential**

2002-1998	Forester (Locking diff)	
	Seal .....	223255[2]
	Bearing Assembly .....	30208M[2]
2002-1998	Forester (w/o Locking diff)	
	Bearing Assembly .....	32007XM[2]

## SUBARU TRUCK - Pickup, SUV - Baja, Forester (cont.)

### REAR AXLE

#### Pinion

<b>2004-2003</b> Baja (Auto Trans)	
Bearing Assembly (Inne .....	32206M
<b>2004-2003</b> Baja (Manual Trans)	
Bearing Assembly (Inne .....	32306
Seal (Outer) .....	1173
Bearing Assembly (Outer) .....	32305
<b>2004-1998</b> Forester (Locking diff)	
Bearing Assembly (Inne .....	32306
Seal (Outer) .....	1173
Bearing Assembly (Outer) .....	32305
Ball Bearing Pilot .....	30565
<b>2002-1998</b> Forester (w/o Locking diff)	
Bearing Assembly (Inne .....	32206M
Seal (Outer) .....	1173
Bearing Assembly (Outer) .....	32305

### CLUTCH

#### Pilot Bearing

<b>2002-1998</b> Forester	
Ball Bearing .....	201CC

### CLUTCH - 4 CYLINDER

#### Release Bearing

<b>2002-1998</b> 2457cc/2.5L	
Bearing Assembly .....	614159

### 4-SPEED AUTOMATIC TRANSAXLE

#### Differential

<b>2002-1998</b> (TZ1A2, TZ102)	
Bearing Assembly .....	30208M

#### Torque Convertor

<b>2002-1998</b> (TZ1A2, TZ102)	
Seal .....	225010
Kwik Slv (Opt Rpr) .....	KWK99196

### 4-SPEED AUTOMATIC TRANSAXLE

#### Output Shaft

<b>2002-1998</b> (TZ1A2, TA102, TZ102)	
Seal .....	223050[2]
Kwik Slv (Opt Rpr) .....	KWK99114

#### Oil Pump

<b>2002-1998</b> (TZ1A2, TA102, TZ102)	
Seal .....	710265

### 5-SPEED MANUAL TRANSAXLE

#### Differential

<b>2002-1998</b> (TY752, TY754)	
Bearing Assembly .....	30208M

#### Input Shaft

<b>2002-1998</b> (TY752, TY754)	
Seal .....	222558
Kwik Slv (Opt Rpr) .....	KWK99098

#### Output Shaft

<b>2002-1998</b> (TY752, TY754)	
Seal .....	223050[2]
Kwik Slv (Opt Rpr) .....	KWK99114

### OIL PUMP

#### 4 Cylinder

<b>2003-1998</b> 2457cc/2.5L	
Seal .....	710236

### CAMSHAFT SEAL

#### 4 Cylinder

<b>2003-1998</b> 2457cc/2.5L	
Seal .....	223230[4]
Kwik Slv (Opt Rpr) .....	KWK99128[4]

### CRANKSHAFT REAR SEAL

#### 4 Cylinder

<b>2003-1998</b> 2457cc/2.5L	
Seal Viton .....	710235

## SUZUKI - FRONT DRIVE - Aerio, Esteem, Forenza, Forsa, Swift, Verona

### FRONT WHEEL

<b>2006-2002</b> Aerio	
Ball Bearing .....	510077[2] <sup>25</sup>
<b>2005-2004</b> Forenza	
Ball Bearing .....	510052[2]
<b>2005-2004</b> Verona	
Hub Assembly .....	HA590115[2] <sup>25</sup>
<b>2002-1995</b> Esteem	
Seal (Inner) .....	710394[2]
Ball Bearing (Inner) .....	510018[2]
Seal (Outer) .....	710393[2]

### FRONT WHEEL (cont.)

<b>2001-1995</b> Swift	
Seal (Inner) .....	710394[2]
Ball Bearing (Inner) .....	510001[2]
Seal (Outer) .....	710175[2]
<b>1994-1990</b> Swift (Exc. GT and Gti)	
Seal (Inner) .....	710394[2]
Ball Bearing (Inner) .....	510001[2]
Seal (Outer) .....	710175[2]

<sup>25</sup>New Item, Check For Availability

# Bearings and Seals

Mfg./Year	Model & Location	Part No	Mfg./Year	Model & Location	Part No
<b>SUZUKI - FRONT DRIVE - Aerio, Esteem, Forenza, Forsa, Swift, Verona (cont.)</b>					

## FRONT WHEEL (cont.)

<b>1994-1990</b>	Swift GT and GTi	
	Seal (Inner)	710394[2]
	Ball Bearing (Inner)	510018[2]
	Seal (Outer)	710393[2]

## REAR WHEEL

<b>2006-2002</b>	Aerio (2WD)	
	Hub Assembly	HA590160[2]
<b>2006-2002</b>	Aerio (AWD)	
	Seal	4904[2]
<b>2005-2004</b>	Forenza (w/o ABS)	
	Hub Assembly	HA590113[2] <sup>25</sup>
<b>2005-2004</b>	Forenza, Verona (ABS)	
	Hub Assembly	HA590112[2] <sup>25</sup>
<b>2005-2004</b>	Verona (w/o ABS)	
	Hub Assembly	HA590114[2] <sup>25</sup>
<b>2002-1995</b>	Esteem	
	Hub Assembly	HA590160[2]
<b>2001-1995</b>	Swift (ABS)	
	Hub Assembly	512204[2]
<b>2001-1995</b>	Swift (w/o ABS)	
	Ball Bearing (Inner)	205F[2]
	Ball Bearing (Outer)	204F[2]
<b>1994-1990</b>	Swift (Exc. GT & Gti)	
	Ball Bearing (Inner)	205F[2]
	Ball Bearing (Outer)	204F[2]
<b>1994-1990</b>	Swift GT & GTi	
	Hub Assembly	512182[2]

## TRANSMISSION REBUILD KIT

<b>2000-1996</b>	Esteem	
	Kit	TRKFS110
<b>2000-1990</b>	Swift	
	Kit	TRKFS110

## CLUTCH - 4 CYLINDER

### Pilot Bearing

<b>2002-1990</b>		
	Ball Bearing	200CC

### Release Bearing

<b>2002-1990</b>		
	Bearing Assembly	614082

## 3-SPEED AUTOMATIC TRANSAXLE

### Torque Converter

<b>2001-1990</b>	(Aisin A210)	
	Seal	223830
	Kwik Slv (Opt Rpr)	KWK99177

### Output Shaft

<b>2001-1990</b>	(Aisin A210)	
	Seal	223540[2]
	Kwik Slv (Opt Rpr)	KWK99139[2]

## 3-SPEED AUTOMATIC TRANSAXLE

### Differential

<b>2001-1995</b>	(Aisin A210)	
	Ball Bearing	207[2]
<b>1994-1990</b>	(Aisin A210)(DOHC)	
	Ball Bearing	207[2]
<b>1994-1990</b>	(Aisin A210)(SOHC)	
	Ball Bearing	207S

### Selector Shaft Seal/Man. Shaft

<b>2001-1990</b>	(Aisin A210)	
	Seal	710116

## 4-SPEED AUTOMATIC TRANSAXLE

### Differential

<b>2002-1995</b>	(Aisin 60 42)	
	Ball Bearing	207[2]

### Torque Converter

<b>2002-1999</b>	(Aisin 60 40)	
	Seal	710254
<b>2002-1995</b>	(Aisin 60 42)	
	Seal	221207
	Kwik Slv (Opt Rpr)	KWK99177

### Selector Shaft Seal/Man. Shaft

<b>2002-1995</b>	(Aisin 60 42)	
	Seal	221207
	Kwik Slv (Opt Rpr)	KWK99049

## 5-SPEED MANUAL TRANSAXLE

### Differential

<b>2002-1990</b>	(MX1)	
	Ball Bearing (LH)	207
	Ball Bearing (RH)	107WB

### Input Shaft

<b>2001-1990</b>	(MX1)	
	Seal (RH)	222030
	Bearing Assembly (RH)	32204
	Kwik Slv (Opt Rpr)	KWK99078

### Output Shaft

<b>2002-1990</b>	(MX1)	
	Seal (LH)	223552
	Seal (RH)	223535
	Kwik Slv (Opt Rpr)	KWK99139[2]

## ALTERNATOR

<b>1992-1990</b>		
	Ball Bearing (Drive End)	202FF

Mfg./Year	Model & Location	Part No	Mfg./Year	Model & Location	Part No
<b>SUZUKI - FRONT DRIVE - Aerio, Esteem, Forenza, Forsa, Swift, Verona (cont.)</b>					

### CAMSHAFT SEAL

#### 4 Cylinder

<b>2002-1999</b>	1800cc/1.8L (DOHC)	
Seal	.....	710334[2]
Kwik Slv (Opt Rpr)	.....	KWK99128[2]
<b>2001-1992</b>	1590cc/1.6L	
Seal	.....	710310
Kwik Slv (Opt Rpr)	.....	KWK99128
<b>1994-1990</b>	1300cc/1.3L (DOHC)	
Seal	.....	710310[2]
Kwik Slv (Opt Rpr)	.....	KWK99128[2]

### CRANKSHAFT FRONT SEAL

#### 4 Cylinder

<b>2002-1999</b>	1800cc/1.8L (DOHC)	
Seal	.....	710310
Kwik Slv (Opt Rpr)	.....	KWK99128
<b>2001-1992</b>	1590cc/1.6L	
Seal	.....	710310
Kwik Slv (Opt Rpr)	.....	KWK99128

### CRANKSHAFT FRONT SEAL (cont.)

#### 4 Cylinder (cont.)

<b>2001-1990</b>	1300cc/1.3L	
Seal	.....	710310
Kwik Slv (Opt Rpr)	.....	KWK99128

### CRANKSHAFT REAR SEAL

#### 4 Cylinder

<b>2003-2002</b>	1995cc/2.0L (DOHC)	
Seal	.....	710520
<b>2002-1999</b>	1800cc/1.8L (DOHC)	
Seal	.....	710334
<b>2001-1992</b>	1590cc/1.6L	
Seal	.....	710334
<b>2001-1990</b>	1300cc/1.3L	
Seal	.....	710334

## SUZUKI TRUCK - SUV - Grand Vitara, Samurai, Sidekick, Vitara, X90, XL7

### FRONT WHEEL

<b>2005-2001</b>	Vitara, Grand Vitara	
Hub Assembly	.....	513193[2]
<b>2005-2001</b>	XL7	
Hub Assembly	.....	513193[2]
<b>2000-1999</b>	Vitara, Grand Vitara	
Seal (Inner)	.....	710240[2]
Bearing Assembly (Inne	.....	517009[2]
Seal (Outer)	.....	710239[2]
<b>1999-1996</b>	X 90	
Seal (Inner)	.....	710240[2]
Bearing Assembly (Inne	.....	517009[2]
Seal (Outer)	.....	710239[2]
<b>1998-1990</b>	Sidekick	
Seal (Inner)	.....	710240[2]
Bearing Assembly (Inne	.....	517009[2]
Seal (Outer)	.....	710239[2]
<b>1995-1990</b>	Samurai	
Seal (Inner)	.....	1948[2]
Cone/Cup	.....	LM300849-LM300811[2]

### 4WD/AWD

<b>2005-2001</b>	XL7 (4WD)	
Hub Assembly	.....	513193[2]
<b>2004-2001</b>	Vitara, Grand Vitara	
Hub Assembly	.....	513193[2]
<b>2000-1999</b>	Vitara, Grand Vitara	
Seal (Inner)	.....	710240[2]
Bearing Assembly (Inne	.....	517009[2]
Seal (Outer)	.....	710239[2]
<b>1998-1996</b>	X 90	
Seal (Inner)	.....	710255[2]
Bearing Assembly (Inne	.....	517009[2]
Seal (Outer)	.....	710256[2]

### FRONT WHEEL (cont.)

#### 4WD/AWD (cont.)

<b>1998-1990</b>	Sidekick	
Seal (Inner)	.....	710240[2]
Bearing Assembly (Inne	.....	517009[2]
Seal (Outer)	.....	710239[2]
<b>1995-1990</b>	Samuari	
Seal (Inner)	.....	1948[2]
Cone/Cup	.....	LM300849-LM300811[2]

### REAR WHEEL

<b>2005-2001</b>	XL7	
Hub Assembly	.....	511030[2] <sup>25</sup>
<b>2004-1999</b>	Grand Vitara	
Seal	.....	710522[2]
Ball Bearing	.....	511024[2]
<b>2004-1999</b>	Vitara	
Seal	.....	710522[2]
Ball Bearing	.....	511024[2]
<b>1998-1996</b>	X 90	
Seal (Inner)	.....	224820[2]
Ball Bearing (Inner)	.....	511004[2]
Seal (Outer)	.....	710193[2]
<b>1998-1990</b>	Sidekick	
Seal (Inner)	.....	224820[2]
Ball Bearing (Inner)	.....	511004[2]
Seal (Outer)	.....	710193[2]
<b>1995-1990</b>	Samuari	
Seal	.....	224820[2]
Ball Bearing	.....	511002[2]

<sup>25</sup>New Item, Check For Availability

# Bearings and Seals

Mfg./Year    Model & Location    Part No    Mfg./Year    Model & Location    Part No

## **SUZUKI TRUCK - SUV - Grand Vitara, Samurai, Sidekick, Vitara, X90, XL7**

*(cont.)*

### **4WD FRONT AXLE**

#### **Axle Shaft**

1998-1990 SJF, SKF  
 Seal ..... 710330[2]  
 Ball Bearing ..... 206FF[2]

#### **Differential**

2004-2001 XL7  
 Cone/Cup ..... 17887-17831[2]  
 2004-1999 Vitara, Grand Vitara  
 Cone/Cup ..... 17887-17831[2]  
 2002-1990 SJF, SKF  
 Cone/Cup ..... 17887-17831[2]

#### **Pinion**

1998-1990 SKF  
 Bearing Assembly (Inne ..... 30307M  
 Seal (Outer) ..... 710523  
 Bearing Assembly  
 (Outer) ..... 30306M  
 1995-1990 SJF  
 Bearing Assembly (Inne ..... 30307M  
 Seal Viton (Outer) ..... 350572  
 Bearing Assembly  
 (Outer) ..... 30306M  
 Kwik Slv (Opt Rpr) .....KWK99147

#### **Steering Knuckle**

1998-1990 SJF, SKF  
 Seal (Inner) ..... 710255  
 Seal (Outer) ..... 710256

### **REAR AXLE**

#### **Differential**

2004-2001 XL7  
 Cone/Cup ..... 17887-17831[2]  
 2004-1999 Vitara, Grand Vitara  
 Cone/Cup ..... 17887-17831[2]  
 2002-1990 SJR, SKR  
 Cone/Cup ..... 17887-17831[2]

#### **Pinion**

1998-1990 SKR  
 Bearing Assembly (Inne ..... 30307M  
 Seal (Outer) ..... 710523  
 Bearing Assembly  
 (Outer) ..... 30306M  
 1995-1990 SJR  
 Bearing Assembly (Inne ..... 30307M  
 Seal Viton (Outer) ..... 350572  
 Bearing Assembly  
 (Outer) ..... 30306M  
 Kwik Slv (Opt Rpr) .....KWK99147

### **TRANSFER CASE REBUILD KIT**

1998-1990 Sidekick  
 Kit ..... TRKFS140

### **TRANSFER CASE REBUILD KIT (cont.)**

1990 Samuari  
 Kit ..... TRKFS120

### **TRANSFER CASE**

#### **Input Shaft**

1998-1996 X90  
 Seal ..... 223540  
 Kwik Slv (Opt Rpr) .....KWK99139  
 1998-1990 Sidekick  
 Seal ..... 223540  
 Ball Bearing ..... 207  
 Kwik Slv (Opt Rpr) .....KWK99139  
 1995-1990 Samuari  
 Seal (Outer) ..... 223843  
 Ball Bearing (Outer) ..... RW122  
 Kwik Slv (Opt Rpr) .....KWK99147

#### **Front Output Shaft**

1998-1996 X90  
 Seal ..... 1213N  
 Kwik Slv (Opt Rpr) .....KWK99157  
 1998-1990 Sidekick  
 Ball Bearing (Inner) ..... 306L  
 Seal (Outer) ..... 1213N  
 Ball Bearing (Outer) ..... RW122  
 Kwik Slv (Opt Rpr) .....KWK99157  
 1995-1990 Samuari  
 Ball Bearing (Inner) ..... 306L  
 Seal Viton (Outer) ..... 1965  
 Ball Bearing (Outer) ..... RW122

#### **Rear Output Shaft**

1998-1996 X90  
 Seal ..... 1213N  
 Kwik Slv (Opt Rpr) .....KWK99157  
 1998-1990 Sidekick  
 Seal ..... 1213N  
 Ball Bearing ..... RW122[2]  
 Kwik Slv (Opt Rpr) .....KWK99157  
 1995-1990 Samuari  
 Seal Viton ..... 1965  
 Ball Bearing ..... RW122  
 Kwik Slv (Opt Rpr) .....KWK99147

### **TRANSMISSION REBUILD KIT**

1998-1995 X 90  
 Kit ..... TRKFS130  
 1998-1990 Sidekick  
 Kit ..... TRKFS130  
 1995-1990 Samuari  
 Kit ..... TRKFS100

### **3-SPEED AUTOMATIC TRANSMISSION**

#### **Torque Converter**

1992-1990 (3L30)  
 Seal ..... 6712NA  
 Kwik Slv (Opt Rpr) .....KWK99187

Mfg./Year	Model & Location	Part No	Mfg./Year	Model & Location	Part No
<b>SUZUKI TRUCK - SUV - Grand Vitara, Samurai, Sidekick, Vitara, X90, XL7</b>					
<b>(cont.)</b>					

**3-SPEED AUTOMATIC TRANSMISSION**

**Rear Seal/Ext. Housing**

1992-1990 (3L30)	
Seal .....	473823

**Selector Shaft Seal/Man. Shaft**

1992-1990 (3L30)	
Seal .....	8792S

**4-SPEED AUTOMATIC TRANSMISSION**

**Torque Converter**

1998-1992 (Aisin O3 72)	
Seal .....	223830
Kwik Slv (Opt Rpr) .....	KWK99147

**Rear Seal/Ext. Housing**

1998-1992 (Aisin O3 72)	
Seal .....	710319

**CLUTCH - 4 CYLINDER**

**Pilot Bearing**

1998-1990	
Ball Bearing .....	200CC

**Release Bearing**

1998-1990	
Bearing Assembly .....	614056
Bearing Only .....	01496

**5-SPEED MANUAL TRANSMISSION**

**Front Input Shaft**

2002-1999 Vitara	
Seal .....	1981
1998-1990 Sidekick	
Seal .....	222535
Kwik Slv (Opt Rpr) .....	KWK99098

**Countershaft**

1995-1990 Samuari	
Ball Bearing (Rr) .....	304WB

**Rear Output Shaft**

1998-1990 Sidekick	
Seal .....	222580
Kwik Slv (Opt Rpr) .....	KWK99098
1995-1990 Samuari	
Ball Bearing (Rr) .....	305AG

**Extension Housing**

1995-1990 Samuari	
Seal .....	223215

**A/C COMPRESSOR**

1992-1990 (Nippondenso)(axial)	
Ball Bearing .....	500KFF

**ALTERNATOR**

2001-1994 (Nippondenso)	
Ball Bearing (Drive End) .....	303CC
1991-1990	
Ball Bearing (Drive End) .....	202FF

**CAMSHAFT SEAL**

**4 Cylinder**

2003-1990 1590cc/1.6L	
Seal .....	710310
Kwik Slv (Opt Rpr) .....	KWK99128
1995-1990 1300cc/1.3L	
Seal .....	710310
Kwik Slv (Opt Rpr) .....	KWK99128

**CRANKSHAFT FRONT SEAL**

**4 Cylinder**

2003-1999 1995cc/2.0 (DOHC)	
Seal .....	710521
2003-1990 1590cc/1.6L	
Seal .....	710310
Kwik Slv (Opt Rpr) .....	KWK99128
1998-1996 1800cc/1.8L (DOHC)	
Seal .....	710521
1995-1990 1300cc/1.3L	
Seal .....	710310
Kwik Slv (Opt Rpr) .....	KWK99128

**6 Cylinder**

2003-2001 2700cc/2.7L (DOHC)	
Seal .....	710521
2003-1999 2494cc/2.5L (DOHC)	
Seal .....	710521

**CRANKSHAFT REAR SEAL**

**4 Cylinder**

2003-1999 1995cc/2.0L (DOHC)	
Seal .....	710520
2003-1990 1590cc/1.6L	
Seal .....	710334
1998-1996 1800cc/1.8L (DOHC)	
Seal .....	710520
1995-1990 1300cc/1.3L	
Seal .....	710334

**6 Cylinder**

2003-2001 2700cc/2.7L (DOHC)	
Seal .....	710520
2003-1999 2494cc/2.5L (DOHC)	
Seal .....	710520



# Bearings and Seals

Mfg./Year	Model & Location	Part No	Mfg./Year	Model & Location	Part No
<b>TOYOTA - FRONT DRIVE - Avalon, Camry, Camry AWD, Camry Solara, Celica, Celica AWD, Corolla, Corolla AWD, Corolla FX, Echo, Matrix, Paseo, Prius, Tercel, Tercel Wagon 4WD</b>					

## FRONT WHEEL

<b>2006-2005</b>	Avalon	
	Ball Bearing	510063[2]
<b>2006-2004</b>	Camry	
	Ball Bearing	510063[2]
<b>2006-2004</b>	Prius	
	Hub Assembly	HA590064[2] <sup>25</sup>
<b>2006-2004</b>	Solara	
	Ball Bearing	510063[2]
<b>2006-2003</b>	Matrix (2WD) (AWD)	
	Ball Bearing	510070[2]
<b>2005-2003</b>	Corolla	
	Ball Bearing	510070[2]
<b>2005-2000</b>	Echo	
	Ball Bearing	510062[2]
<b>2004-2000</b>	Celica	
	Ball Bearing	510070[2]
<b>2004-1995</b>	Avalon	
	Ball Bearing	510006[2]
<b>2003-2000</b>	Prius	
	Ball Bearing	510070[2]
<b>2003-1999</b>	Solara	
	Ball Bearing	510006[2]
	Hub Assembly	HA590302K[2] <sup>67</sup>
<b>2003-1992</b>	Camry 4 Cyl.	
	Ball Bearing	510006[2]
	Hub Assembly	HA590303K[2] <sup>67</sup>
<b>2003-1992</b>	Camry 6 Cyl.	
	Ball Bearing	510006[2]
	Hub Assembly	HA590302K[2] <sup>67</sup>
<b>2002-1993</b>	Corolla (ABS)	
	Seal (Inner)	225673[2]
	Ball Bearing (Inner)	510007[2]
	Seal (Outer)	4898[2]
<b>2002-1993</b>	Corolla (w/o ABS)	
	Seal Kit	5696[2]
	Ball Bearing	510007[2]
	Hub Assembly Kit	518507[2] <sup>62</sup>
	Seal (Inner)	1993[2]
	Seal (Outer)	4898[2]
<b>1999-1993</b>	Paseo	
	Seal (Inner)	712938[2]
	Ball Bearing (Inner)	510002[2]
	Seal (Outer)	225410[2]
<b>1999-1993</b>	Tercel	
	Seal (Inner)	712938[2]
	Ball Bearing (Inner)	510002[2]
	Seal (Outer)	225410[2]
<b>1999-1990</b>	Celica	
	Ball Bearing	514002B[2]
	Seal (Inner)	4899[2]
	Seal (Outer)	225220[2]
<b>1992-1991</b>	Paseo	
	Seal (Inner)	225673[2]
	Ball Bearing (Inner)	510002[2]
	Seal (Outer)	225410[2]
<b>1992-1990</b>	Corolla (w/o ABS)	
	Seal (Inner)	1993[2]
	Ball Bearing (Inner)	510007[2]
	Seal (Outer)	4898[2]

## FRONT WHEEL (cont.)

<b>1992-1990</b>	Tercel	
	Seal (Inner)	225673[2]
	Ball Bearing (Inner)	510002[2]
	Seal (Outer)	225410[2]
<b>1991-1990</b>	Camry	
	Seal (Inner)	4899[2]
	Ball Bearing (Inner)	514002B[2]
	Seal (Outer)	225220[2]
	Hub Assembly Opt	
	Complete Brg. & Hub Ki	518506[2] <sup>62</sup>
<b>1990</b>	Corolla (AWD)	
	Seal Kit	5696[2]
	Ball Bearing	510007[2]
	Seal (Inner)	1993[2]
	Seal (Outer)	4898[2]
	Hub Assembly Kit	518507[2] <sup>62</sup>

## REAR WHEEL

<b>2006-2004</b>	Prius	
	Hub Assembly	HA590055[2] <sup>25</sup>
<b>2006-2004</b>	Solara	
	Hub Assembly (LH)	HA592460
	Hub Assembly (RH)	HA592450
<b>2006-2003</b>	Matrix (2WD)(ABS)	
	Hub Assembly	512217[2]
<b>2006-2003</b>	Matrix (2WD)(w/o ABS)	
	Hub Assembly	512218[2]
<b>2006-2003</b>	Matrix (AWD)(ABS)	
	Hub Assembly	HA590002[2] <sup>25</sup>
<b>2006-2002</b>	Camry (ABS)	
	Hub Assembly (LH)	HA592460
	Hub Assembly (RH)	HA592450
<b>2006-2002</b>	Camry (w/o ABS)	
	Hub Assembly	HA596030[2]
<b>2006-1995</b>	Avalon	
	Bearing Module	512009[2]
<b>2005-2003</b>	Corolla (ABS)	
	Hub Assembly	512215[2]
<b>2005-2003</b>	Corolla (w/o ABS)	
	Hub Assembly	512216[2]
<b>2005-2000</b>	Echo (ABS)	
	Hub Assembly	HA594245[2]
<b>2005-2000</b>	Echo (w/o ABS)	
	Hub Assembly	HA592410[2]
<b>2004-2000</b>	Celica (ABS)	
	Hub Assembly	HA590040[2] <sup>25</sup>
<b>2004-2000</b>	Celica (w/o ABS)	
	Hub Assembly	512216[2]
<b>2003-2001</b>	Prius	
	Hub Assembly	HA590063[2] <sup>25</sup>
<b>2003-1999</b>	Solara	
	Bearing Module	512009[2]
<b>2002-1996</b>	Corolla (ABS)	
	Hub Assembly	512184[2]
<b>2002-1993</b>	Corolla (w/o ABS)	
	Hub Assembly	512018[2]
<b>2001-1992</b>	Camry	
	Bearing Module	512009[2]

Mfg./Year    Model & Location    Part No    Mfg./Year    Model & Location    Part No

**TOYOTA - FRONT DRIVE - Avalon, Camry, Camry AWD, Camry Solara, Celica, Celica AWD, Corolla, Corolla AWD, Corolla FX, Echo, Matrix, Paseo, Prius, Tercel, Tercel Wagon 4WD (cont.)**

**REAR WHEEL (cont.)**

<b>1999-1994</b>	Celica	
	Bearing Module .....	512137[2]
<b>1999-1992</b>	Paseo	
	Seal (Inner) .....	1174S[2]
	Cone (Inner) .....	A149[2]
	Set (Outer) .....	SET1[2]
<b>1999-1991</b>	Tercel	
	Seal (Inner) .....	1174S[2]
	Cone (Inner) .....	A149[2]
	Set (Outer) .....	SET1[2]
<b>1995-1993</b>	Corolla (ABS)	
	Hub Assembly .....	512019[2]
<b>1993-1992</b>	Celica (All Trac (4WD))(From 5/1991 on)	
	Seal (Inner) .....	225775[2]
	Ball Bearing (Inner) .....	514002B[2]
	Seal (Outer) .....	225275[2]
<b>1993-1990</b>	Celica (FWD)	
	Seal .....	224210[2]
	Ball Bearing .....	513022[2]
<b>1992-1990</b>	Corolla (All Trac)(4WD)	
	Seal .....	224210[2]
	Ball Bearing .....	88506BR[2]
<b>1992-1990</b>	Corolla (FWD)	
	Seal .....	1180S[2]
	Ball Bearing .....	513031[2]
<b>1991-1990</b>	Camry (All Trac)(4WD)	
	Seal (Inner) .....	4899[2]
	Ball Bearing (Inner) .....	514002B[2]
	Seal (Outer) .....	225275[2]
<b>1991-1990</b>	Camry (FWD)	
	Seal .....	224210[2]
	Ball Bearing .....	513022[2]
<b>1991-1990</b>	Camry Wagon	
	Seal .....	224210[2]
	Bearing Module .....	512009[2]

**REAR AXLE**

**Differential**

<b>1993-1990</b>	Corolla (All Trac)( 4WD)	
	Set .....	SET45[2]

**Pinion**

<b>1993-1990</b>	Camry (All Trac)( 4WD)	
	Cone/Cup .....	HM88649-HM88610[2]
	Seal (Outer) .....	1176S
<b>1993-1990</b>	Celica (All Trac)( 4WD)	
	Cone/Cup .....	HM88649-HM88610[2]
	Seal (Outer) .....	1176S
<b>1993-1990</b>	Corolla (All Trac)( 4WD)	
	Cone/Cup .....	HM88649-HM88610[2]
	Seal (Outer) .....	1176S
	Kwik Slv (Opt Rpr) .....	KWK99147

**TRANSFER CASE REBUILD KIT**

<b>1993-1990</b>	S100	
	Kit .....	TRKFT740

**TRANSFER CASE REBUILD KIT (cont.)**

<b>1993-1990</b>	S125	
	Kit .....	TRKFT750
<b>1993-1990</b>	S110	
	Kit .....	TRKFT740
<b>1992-1990</b>	S120	
	Kit .....	TRKFT750

**TRANSFER CASE**

**Rear Output Shaft**

<b>1993-1990</b>	S100, S110, S120	
	Seal .....	1175
	Kwik Slv (Opt Rpr) .....	KWK99147

**Idler Shaft**

<b>1992-1990</b>	S110, S120	
	Seal (LH) .....	710528
	Seal (RH) .....	710527

**Side Gear**

<b>1993-1990</b>	S100	
	Seal .....	710143
<b>1992-1990</b>	S110, S120 (A/T)	
	Seal .....	710137
<b>1992-1990</b>	S110, S120 (M/T)	
	Seal .....	710143

**CLUTCH - 4 CYLINDER**

**Pilot Bearing**

<b>2002-1998</b>	1496cc/1.5L, 1794cc/1.8L, 1796cc/1.8L	
	Cylindrical Bearing .....	MSNB5305GTBV
<b>1997-1990</b>	1456cc/1.5L, 1496/1.5L, 1587cc/1.6L, 1762cc/1.8L	
	Cylindrical Bearing .....	MSNB5305GTBV

**Release Bearing**

<b>2002-2000</b>	1587cc./1.6L, 1762cc./1.8L, 1794cc./1.8L (200mm Cl.)	
	Bearing Assembly .....	614152
<b>2002-1992</b>	1587cc/1.6L, 1762cc/1.8L	
	Bearing Assembly .....	614152
<b>2001-1992</b>	2164cc./2.2L (225mm Cl.)	
	Bearing Assembly .....	614091
<b>1999-1990</b>	2164cc./2.2L (232mm Cl.)	
	Bearing Assembly .....	614091
<b>1999-1990</b>	1456cc./1.5L, 1496/1.5L (190mm Cl.)	
	Bearing Assembly .....	614043
<b>1998-1990</b>	1998cc./2.0L (DOHC & TURBO)(235mm Cl.)	
	Bearing Assembly .....	614084
<b>1994-1992</b>	1453cc./1.5L, (200mm Cl.)	
	Bearing Assembly .....	614043
<b>1993-1990</b>	1998cc./2.0L (DOHC & TURBO)(225mm Cl.)	
	Bearing Assembly .....	614167

# Bearings and Seals

Mfg./Year	Model & Location	Part No	Mfg./Year	Model & Location	Part No
<b>TOYOTA - FRONT DRIVE - Avalon, Camry, Camry AWD, Camry Solara, Celica, Celica AWD, Corolla, Corolla AWD, Corolla FX, Echo, Matrix, Paseo, Prius, Tercel, Tercel Wagon 4WD (cont.)</b>					

## CLUTCH - 4 CYLINDER (cont.)

### Release Bearing (cont.)

1992-1990	1587cc./1.6L, (225mm Cl.)	
	Bearing Assembly	614084
1991	1456cc./1.5L, 1587cc./1.6L (200mm Cl.)	
	Bearing Assembly	614043
1991-1990	1998cc./2.0L (DOHC)(235mm Cl.)	
	Bearing Assembly	614084
1991-1990	1998cc./2.0L (DOHC)(225mm Cl.)	
	Bearing Assembly	614147
1990	1456cc./1.5L, (212mm Cl.)	
	Bearing Assembly	614043
1990	1587cc./1.6L, (200mm Cl.)	
	Bearing Assembly	614043

## CLUTCH - 6 CYLINDER

### Release Bearing

2001-1992	2958cc./3.0L, 2995cc./3.0L, (225mm Cl.)	
	Bearing Assembly	614167
1991-1990	2507cc./2.5L, (235mm Cl.)	
	Bearing Assembly	614084

## 3-SPEED AUTOMATIC TRANSAXLE

### Torque Converter

1999-1990	(A55, A55F, A130L, A131L, A132L)	
	Seal	223830
	Kwik Slv (Opt Rpr)	KWK99147

### Output Shaft

1999-1990	(A130L, A131L, A132L)	
	Seal	710110[2]

### Differential

1999-1990	(A130L, A131L, A132L)	
	Seal	710416[2]

### Pinion

1999-1990	(A132L)	
	Bearing Assembly (Rr)	30208M

### Selector Shaft Seal/Man. Shaft

1999-1990	(A130L, A131L, A132L)	
	Seal	221207
	Kwik Slv (Opt Rpr)	KWK99049

## 4-SPEED AUTOMATIC TRANSAXLE

### Differential

2002-1990	(A140E, A140L, A242L, A245E)	
	Seal	710416[2]

### Torque Converter

2002-1990	(A140E, A140L, A240E, A240L, A241E, A241H, A241L, A242L, A243L, A244E, A245E, A246E, A540E, A540H, A541E)	
	Seal	223830
	Kwik Slv (Opt Rpr)	KWK99147

### Input Shaft

1999-1990	(A240E, A240L, A241E, A241H, A241L, A243L, A244E, A246E)	
	Seal	710138
	Kwik Slv (Opt Rpr)	KWK99139

### Output Shaft

2002-1990	(A240E, A240L, A241E, A241H, A241L, A242L, A243L, A244E, A245E, A246E)	
	Seal (LH)	710109
	Seal (RH)	710110
2002-1990	(A140E, A140L)	
	Seal	223540[2]
	Kwik Slv (Opt Rpr)	KWK99139[2]
2001-1990	(A540E, A540H, A541E)	
	Seal (LH)	712551
	Seal (RH)	710112

### Pinion

1999-1995	(A242L)	
	Bearing Assembly (Outer)	30208M

### Selector Shaft Seal/Man. Shaft

2001-1990	(A140E, A140L, A240E, A240L, A241E, A241H, A241L, A242L, A243L, A244E, A245E, A246E, A540E, A540H, A541E)	
	Seal	221207
	Kwik Slv (Opt Rpr)	KWK99049

## 4-SPEED MANUAL TRANSAXLE

### Differential

1999-1990	(C141)	
	Bearing Assembly (LH)	32207M
1990	(Z41, Z42, Z44, Z46)	
	Ball Bearing	32007C[2] <sup>16</sup>

**TOYOTA - FRONT DRIVE - Avalon, Camry, Camry AWD, Camry Solara, Celica, Celica AWD, Corolla, Corolla AWD, Corolla FX, Echo, Matrix, Paseo, Prius, Tercel, Tercel Wagon 4WD (cont.)**

**4-SPEED MANUAL TRANSAXLE**

**Input Shaft**

1999-1990 (C140, C141)	
Seal .....	320603
Ball Bearing .....	101SS
Kwik Slv (Opt Rpr) .....	KWK99098

**Output Shaft**

1999-1990 (C140, C141)	
Seal (LH) .....	710109
Seal (RH) .....	710110

**Selector Shaft Seal/Man. Shaft**

1999-1990 (C140, C141)	
Seal .....	1015N
Kwik Slv (Opt Rpr) .....	KWK99085

**5-SPEED MANUAL TRANSAXLE**

**Differential**

2004 (C50)	
Cone/Cup (RH) .....	NP258107-NP773051
2003-1997 (C50)	
Cone/Cup (RH) .....	NP861151-NP666842
2001-1990 (C150, C151)	
Bearing Assembly (LH) .....	32207M

**Input Shaft**

2002-2000 (C56)	
Seal .....	320603
Kwik Slv (Opt Rpr) .....	KWK99098
2002-1990 (C50, C51, C52, C150, C151)	
Seal .....	320603
Ball Bearing .....	101SS
Kwik Slv (Opt Rpr) .....	KWK99098
2001-1990 S50, S51, E53, S53	
Seal .....	223010
Kwik Slv (Opt Rpr) .....	KWK99114
1999-1990 (E50F2, E55F2, E55F5, E56F2, E56F5, E57F5, E150F, S54)	
Seal Viton .....	710172
Kwik Slv (Opt Rpr) .....	KWK99123

**Output Shaft**

2002-1990 (C50, C51, C52, C150, C151)	
Seal (LH) .....	710109
Seal (RH) .....	710110
2001-1990 S50, S51, S53, S54	
Seal .....	223540[2]
Kwik Slv (Opt Rpr) .....	KWK99139[2]
1993-1992 (E53)	
Seal (LH) .....	223540
Kwik Slv (Opt Rpr) .....	KWK99139
Seal Viton (RH) .....	224026
Kwik Slv (Opt Rpr) .....	KWK99157

**5-SPEED MANUAL TRANSAXLE (cont.)**

**Output Shaft (cont.)**

1993-1990 (E50F2, E55F2, E55F5)(ABS)	
Seal (LH) .....	710112
Seal (RH) .....	710143
1993-1990 (E50F2, E55F2, E55F5)(w/o ABS)	
Seal (LH) .....	710115
Seal (RH) .....	710143
1992-1990 (E56F2, E56F5, E57F5)	
Seal (LH) .....	710115
Seal (RH) .....	710143
1991-1990 (E52, E150F)	
Seal .....	710112[2]

**Selector Shaft Seal/Man. Shaft**

2001-1990 (Exc. S50, S51, S53, S54)	
Seal .....	1015N
Kwik Slv (Opt Rpr) .....	KWK99085
2001-1990 S50, S51, S53, S54	
Seal .....	221207
Kwik Slv (Opt Rpr) .....	KWK99049

**Extension Housing**

1993-1990 (E50F2, E55F2, E55F5, E56F2, E56F5, E57F5, E150F)	
Seal .....	1175

**6-SPEED MANUAL TRANSAXLE**

**Input Shaft**

2002-2000 (C50)	
Seal .....	320603

**ALTERNATOR**

1997-1990 (Nippondenso 70 Amp.)	
Ball Bearing (Rear End) .....	302CC

**POWER STEERING**

**Pitman Shaft**

2002-2000 Corolla	
Seal .....	221510
1999-1998 Celica, Corolla	
Seal .....	221510
1997 Celica, Corolla, Paseo, Tercel	
Seal .....	221510
1996-1990 Camry, Celica, Corolla, Paseo, Tercel, Wagon	
Seal .....	221510

**Pump Shaft**

2002-1997 Avalon, Camry, Corolla	
Seal .....	710412
1999-1997 Celica	
Seal .....	710156
1997 Paseo, Tercel	
Seal .....	710151

# Bearings and Seals

Mfg./Year    Model & Location    Part No    Mfg./Year    Model & Location    Part No

## **TOYOTA - FRONT DRIVE - Avalon, Camry, Camry AWD, Camry Solara, Celica, Celica AWD, Corolla, Corolla AWD, Corolla FX, Echo, Matrix, Paseo, Prius, Tercel, Tercel Wagon 4WD (cont.)**

### **POWER STEERING (cont.)**

#### **Pump Shaft (cont.)**

1996-1990	Avalon, Corolla	
Seal	.....	710412
1996-1990	Camry, Celica, Corolla, Paseo, Tercel, Wagon	
Seal	.....	710156

#### **Sector Shaft**

1996-1990	Camry, Camry (AWD)	
Seal	.....	222820

#### **Worm Shaft**

2002-1993	Corolla	
Seal	.....	222630
1999-1990	Celica	
Seal	.....	710303
1992-1990	Corolla	
Seal (Lower)	.....	710155
Seal (Upper)	.....	710154

### **CAMSHAFT SEAL**

#### **4 Cylinder**

2004-1990	1497cc/1.5L, 1587cc/1.6L, 1762cc/1.8L	
Seal	.....	1987S
Kwik Slv (Opt Rpr)	.....	KWK99139
2001-1990	2164cc/2.2L	
Seal	.....	223800
Kwik Slv (Opt Rpr)	.....	KWK99147
1994-1990	1452cc/1.5L, 1456cc/1.5L	
Seal	.....	1987S
Kwik Slv (Opt Rpr)	.....	KWK99139
1993-1990	1998cc/2.0L (Turbo)	
Seal	.....	1987S
Kwik Slv (Opt Rpr)	.....	KWK99139
1993-1990	1998cc/2.0L (w/o Turbo)	
Seal	.....	223801
Kwik Slv (Opt Rpr)	.....	KWK99147

#### **6 Cylinder**

2004-1994	2995cc/3.0L	
Seal	.....	223801
Kwik Slv (Opt Rpr)	.....	KWK99147
1993-1992	2958cc/3.0L	
Seal	.....	223801
Kwik Slv (Opt Rpr)	.....	KWK99147
1991-1990	2507cc/2.5L	
Seal	.....	223801
Kwik Slv (Opt Rpr)	.....	KWK99147

### **CRANKSHAFT FRONT SEAL**

#### **4 Cylinder**

2004-1990	1456cc/1.5L, 1497/1.5L	
Seal	.....	223235
Kwik Slv (Opt Rpr)	.....	KWK99139

### **CRANKSHAFT FRONT SEAL (cont.)**

#### **4 Cylinder (cont.)**

1997-1993	1762cc/1.8L	
Seal	.....	223235
Kwik Slv (Opt Rpr)	.....	KWK99128
1993-1990	1839cc/1.8L, 1974cc/2.0L, 1995cc/2.0L, 1998cc/2.0L	
Seal	.....	1953S
Seal Viton Opt	.....	2025
Kwik Slv (Opt Rpr)	.....	KWK99169

#### **6 Cylinder**

1993-1990	2507cc/2.5L, 2958cc/3.0L	
Seal	.....	224020
Kwik Slv (Opt Rpr)	.....	KWK99157

### **CRANKSHAFT REAR SEAL**

#### **4 Cylinder**

2004-1990	1456cc/1.5L, 1497/1.5L	
Seal	.....	228015
Kwik Slv (Opt Rpr)	.....	KWK99315
2001-1990	1998cc/2.0L, 2164cc/2.2L	
Seal	.....	716102
Kwik Slv (Opt Rpr)	.....	KWK99333
1998-1990	1452cc/1.5L, 1587cc/1.6L, 1762cc/1.8L	
Seal	.....	227045
Kwik Slv (Opt Rpr)	.....	KWK99272
1993-1990	1998cc/2.0L (Turbo)	
Seal Viton	.....	710189
Kwik Slv (Opt Rpr)	.....	KWK99349

#### **6 Cylinder**

2004-1990	2507cc/2.5L, 2958cc/3.0L, 2995cc/3.0L	
Seal Viton	.....	229210
Kwik Slv (Opt Rpr)	.....	KWK99360

Mfg./Year	Model & Location	Part No	Mfg./Year	Model & Location	Part No
<b>TOYOTA - REAR DRIVE - Cressida, MR2, Supra</b>					

### FRONT WHEEL

<b>2004-2000</b>	MR2	
	Hub Assembly	HA595017[2]
<b>1998-1994</b>	Supra	
	Seal	1941[2]
	Ball Bearing	510017[2]
<b>1995-1990</b>	MR2	
	Seal	224210[2]
	Ball Bearing	513022[2]
<b>1992-1990</b>	Cressida	
	Seal	224870[2]
	Ball Bearing	513150[2]
<b>1992-1990</b>	Supra	
	Seal	1941[2]
	Ball Bearing	510017[2]

### REAR WHEEL

<b>2004-2000</b>	MR2	
	Ball Bearing	510070[2]
<b>1998-1990</b>	Supra	
	Seal (Inner)	1935[2]
	Ball Bearing (Inner)	511007[2]
	Seal (Outer)	1928[2]
<b>1995-1990</b>	MR2	
	Ball Bearing	510006[2]
<b>1992-1990</b>	Cressida	
	Seal (Inner)	1935[2]
	Ball Bearing (Inner)	511007[2]
	Seal (Outer)	1928[2]
<b>1990</b>	Tercel	
	Seal (Inner)	223605[2]
	Bearing Assembly (Inne	32005X[2]
	Seal (Outer)	225775[2]
	Set (Outer)	SET1

### REAR AXLE

#### Differential Rebuild Kit

<b>1995-1990</b>	(7.5" R.G.)(w/o Turbo)	
	Kit	DRK350

#### Differential

<b>1992-1990</b>	(7.8" R.G.)	
	Seal	710142[2]

#### Pinion

<b>1998-1994</b>	(7.8" R.G.)	
	Seal (Outer)	710525
<b>1992-1990</b>	(7.3" R.G.)	
	Bearing Assembly (Inne	32307
	Seal (Outer)	1177
	Bearing Assembly	
	(Outer)	30306M
<b>1992-1990</b>	(7.8" R.G.)	
	Bearing Assembly (Inne	32307
	Seal (Outer)	1177
	Bearing Assembly	
	(Outer)	30306M
<b>1992-1990</b>	(7.1" R.G.)	
	Bearing Assembly (Inne	32307
	Seal (Outer)	1177
	Bearing Assembly	

(Outer)	30306M
<b>1992-1990</b>	(7.5" R.G.)
	Bearing Assembly (Inne
	Seal (Outer)
	Bearing Assembly
	(Outer)
	30306M

### TRANSMISSION REBUILD KIT

<b>2000-1990</b>	(W55, W56, W58 EFI Motor)	
	Kit	TRKFT150

### 4-SPEED AUTOMATIC TRANSMISSION

#### Torque Converter

<b>1998-1994</b>	(A340E)	
	Seal	223830
	Kwik Slv (Opt Rpr)	KWK99147
<b>1992-1990</b>	(A40D, A42DL, A43D, A43DL, A43DE, A340E)	
	Seal	223830
	Kwik Slv (Opt Rpr)	KWK99147

#### Rear Seal/Ext. Housing

<b>1998-1994</b>	(A340E)	
	Seal	3459S
<b>1992-1990</b>	(A340E)	
	Seal	3459S

#### Selector Shaft Seal/Man. Shaft

<b>1998-1994</b>	(A340E)	
	Seal	221207
	Kwik Slv (Opt Rpr)	KWK99049
<b>1992-1990</b>	(A340E)	
	Seal	221207
	Kwik Slv (Opt Rpr)	KWK99049

### CLUTCH - 6 CYLINDER

#### Pilot Bearing

<b>1998-1994</b>	2997cc/3.0L	
	Ball Bearing	201CC
<b>1992-1990</b>	2954/3.0L	
	Ball Bearing	201CC
<b>1992-1990</b>	2759cc/2.8L	
	Ball Bearing	201CC

### CLUTCH - 4 CYLINDER

#### Release Bearing

<b>1995-1990</b>	1998cc/2.0L	
	Bearing Assembly	614167
<b>1995-1990</b>	2164cc/2.2L	
	Bearing Assembly	614091

### CLUTCH - 6 CYLINDER

#### Release Bearing

<b>1998-1994</b>	2997cc/3.0L	
	Bearing Assembly	614088
<b>1992-1990</b>	2954cc./3.0L (236mm Cl.)	
	Bearing Assembly	614088

# Bearings and Seals

Mfg./Year    Model & Location    Part No    Mfg./Year    Model & Location    Part No

## **TOYOTA - REAR DRIVE - Cressida, MR2, Supra (cont.)**

### **CLUTCH - 6 CYLINDER (cont.)**

#### **Release Bearing (cont.)**

1992-1990 2954cc./3.0L (DOHC & TURBO)(240mm Cl.)  
Bearing Assembly .....614085

### **5-SPEED MANUAL TRANSMISSION**

#### **Front Input Shaft**

2001-1991 E153  
Seal .....710143  
1998-1994 (W58)  
Seal .....1981  
Kwik Slv (Opt Rpr) .....KWK99114  
1992-1990 (R154)  
Seal .....223253  
1992-1990 (W50, W55, W58)  
Seal .....1981  
Kwik Slv (Opt Rpr) .....KWK99114

#### **Rear Output Shaft**

1998-1994 (W58)  
Seal .....223840  
1992-1990 (R154)  
Seal .....3459S  
1992-1990 (W55, W58)  
Seal .....223840

### **6-SPEED MANUAL TRANSMISSION**

#### **Front Input Shaft**

1998-1994 (Getrag V160)  
Seal .....223608

#### **Rear Output Shaft**

1998-1994 (Getrag V160)  
Seal .....710364

### **4-SPEED AUTOMATIC TRANSAXLE**

#### **Torque Converter**

1995-1990 (A141E, A240E, A241E)  
Seal .....223830  
Kwik Slv (Opt Rpr) .....KWK99147

#### **Input Shaft**

1995-1990 (A240E, A241E)  
Seal .....710138  
Kwik Slv (Opt Rpr) .....KWK99139

#### **Output Shaft**

1995-1990 (A141E, A240E, A241E)  
Seal (LH) .....710109  
Seal (RH) .....710110

### **4-SPEED AUTOMATIC TRANSAXLE**

#### **Selector Shaft Seal/Man. Shaft**

1995-1990 (A141E, A240E, A241E)  
Seal .....221207  
Kwik Slv (Opt Rpr) .....KWK99049

### **5-SPEED MANUAL TRANSAXLE**

#### **Input Shaft**

1995-1990 E153  
Seal .....710143  
1995-1990 S54  
Seal Viton .....710172  
Kwik Slv (Opt Rpr) .....KWK99172

#### **Output Shaft**

1995-1990 E153  
Seal .....710112[2]  
1995-1990 S54  
Seal .....223540[2]  
Kwik Slv (Opt Rpr) .....KWK99139

#### **Selector Shaft Seal/Man. Shaft**

1995-1990 S54  
Seal .....221207  
Kwik Slv (Opt Rpr) .....KWK99049  
1995-1990 (C52)  
Seal .....1015N  
1995-1990 E153  
Seal .....1015N

### **ALTERNATOR**

1995-1990 (Nippondenso 70 Amp.)  
Ball Bearing (Rear End) .....302CC  
1992-1990 (Nippondenso 100 Amp.)  
Ball Bearing (Rear End) .....302CC  
1992-1990 (Nippondenso 80 Amp.)  
Ball Bearing (Rear End) .....302CC

### **CAMSHAFT SEAL**

#### **4 Cylinder**

1995-1991 1998cc/2.0L (Turbo)  
Seal .....1987S  
Kwik Slv (Opt Rpr) .....KWK99139  
1995-1991 2164cc/2.2L  
Seal .....223800  
Kwik Slv (Opt Rpr) .....KWK99147

#### **6 Cylinder**

1998-1993 2997cc/3.0L  
Seal .....710436  
1992-1990 2954/3.0L  
Seal .....1987S  
Kwik Slv (Opt Rpr) .....KWK99139

## **TOYOTA - REAR DRIVE - Cressida, MR2, Supra (cont.)**

### **CRANKSHAFT FRONT SEAL**

#### **4 Cylinder**

<b>1995-1990</b>	1998cc/2.0L (DOHC & TURBO)	
Seal Viton	.....	2025
Kwik Slv (Opt Rpr)	.....	KWK99166

#### **6 Cylinder**

<b>1998-1993</b>	2997cc/3.0L (DOHC & TURBO)	
Seal	.....	224663
Kwik Slv (Opt Rpr)	.....	KWK99181
<b>1992-1990</b>	2954cc/3.0L (DOHC & TURBO)	
Seal	.....	710187

### **CRANKSHAFT REAR SEAL**

#### **4 Cylinder**

<b>1995-1991</b>	1998cc/2.0L (Turbo)	
Seal Viton	.....	710189
Kwik Slv (Opt Rpr)	.....	KWK99349
<b>1995-1991</b>	2164cc/2.2L	
Seal	.....	716102
Kwik Slv (Opt Rpr)	.....	KWK99333

### **CRANKSHAFT REAR SEAL**

#### **6 Cylinder**

<b>1998-1993</b>	2997cc/3.0L (DOHC & TURBO)	
Seal Viton	.....	229005
Kwik Slv (Opt Rpr)	.....	KWK99354
<b>1992-1990</b>	2954cc/3.0L (DOHC & TURBO)	
Seal	.....	228010
Kwik Slv (Opt Rpr)	.....	KWK99315
<b>1992-1990</b>	2563cc/2.6L, 2759cc/2.8L	
Seal	.....	228010
Kwik Slv (Opt Rpr)	.....	KWK99315

## **TOYOTA TRUCK - PICKUP, MINIVAN, SUV - Highlander, Highlander AWD, Landcruiser, Pickup, Previa, RAV4, RAV4 4WD, Sequoia, Sienna, Tacoma, Tundra, T100, Van, 4Runner**

### **FRONT WHEEL**

#### **2WD**

<b>2006-2001</b>	Sequoia	
Set	.....	SET29[2]
<b>2005-2004</b>	Sienna	
Ball Bearing	.....	510063[2]
<b>2005-2003</b>	4Runner	
Bearing Module	.....	HA596060[2]
<b>2005-2001</b>	Highlander	
Ball Bearing	.....	510063[2]
<b>2005-2001</b>	RAV4	
Ball Bearing	.....	510006[2]
<b>2005-2000</b>	Tundra	
Set	.....	SET29[2]
<b>2004-1996</b>	Tacoma (Extra Cab, PreRunner)	
Set	.....	SET29[2]
<b>2004-1995</b>	Tacoma Pickup	
Seal (Inner)	.....	1948[2]
Set (Inner)	.....	SET5[2]
Set (Outer)	.....	SET3[2]
<b>2003-1998</b>	Sienna	
Ball Bearing	.....	510006[2]
<b>2002-1996</b>	4Runner	
Set	.....	SET29[2]
<b>2000-1996</b>	RAV4	
Seal (Inner)	.....	4899[2]
Ball Bearing (Inner)	.....	514002B[2]
Seal (Outer)	.....	225220[2]

### **FRONT WHEEL (cont.)**

#### **2WD (cont.)**

<b>1998-1993</b>	T100 Pickup	
Seal (Inner)	.....	1948[2]
Cone/Cup (Inner)	.....	M38549H-M38510[2]
Cone/Cup (Outer)	.....	1380H-1328X[2]
<b>1997-1991</b>	Previa	
Seal (Inner)	.....	225678[2]
Bearing Assembly (Inne	.....	517003[2]
Seal (Outer)	.....	226150[2]
<b>1995-1990</b>	4Runner	
Seal (Inner)	.....	1948[2]
Set (Inner)	.....	SET5[2]
Set (Outer)	.....	SET3[2]
<b>1995-1990</b>	Pickup (Exc. T100)	
Seal (Inner)	.....	1948[2]
Set (Inner)	.....	SET5[2]
Set (Outer)	.....	SET3[2]
<b>1990</b>	Van Wagon	
Seal (Inner)	.....	224820[2]
Set (Inner)	.....	SET6[2]
Set (Outer)	.....	SET2[2]

#### **4WD/AWD**

<b>2006-2001</b>	Sequoia	
Set	.....	SET29[2]
<b>2005-2004</b>	Sienna	
Ball Bearing	.....	510063[2]
<b>2005-2003</b>	4Runner (w/o ABS)	
Bearing Module	.....	HA596060[2]



# Bearings and Seals

Mfg./Year    Model & Location    Part No    Mfg./Year    Model & Location    Part No

## **TOYOTA TRUCK - PICKUP, MINIVAN, SUV - Highlander, Highlander AWD, Landcruiser, Pickup, Previa, RAV4, RAV4 4WD, Sequoia, Sienna, Tacoma, Tundra, T100, Van, 4Runner (cont.)**

### **FRONT WHEEL (cont.)**

#### **4WD/AWD (cont.)**

<b>2005-2001</b>	RAV4	
Ball Bearing	.....	510006[2]
<b>2005-2000</b>	Tundra	
Set	.....	SET29[2]
Seal (Outer)	.....	1956S[2]
<b>2004-1998</b>	Land Cruiser	
Seal (Inner)	.....	710456[2] <sup>25</sup>
Cone/Cup (Inner)	.....	JLM506849A-JLM506810[2]
Set (Outer)	.....	SET47[2]
<b>2004-1995</b>	Tacoma	
Set	.....	SET29[2]
<b>2003-2001</b>	Highlander	
Ball Bearing	.....	510063[2]
<b>2002-1996</b>	4Runner	
Set	.....	SET29[2]
Seal (Outer)	.....	1956S[2]
<b>2000-1996</b>	RAV4	
Seal (Inner)	.....	4899[2]
Ball Bearing (Inner)	.....	514002B[2]
Seal (Outer)	.....	225220[2]
<b>1997-1993</b>	T100	
Seal (Inner)	.....	710092[2]
Cone/Cup (Inner)	.....	JLM104948-JLM104910[2]
Seal (Outer)	.....	710266[2]
Set (Outer)	.....	SET47[2]
<b>1997-1991</b>	Previa	
Seal (Inner)	.....	225678[2]
Bearing Assembly (Inne	.....	517003[2]
Seal (Outer)	.....	226150[2]
<b>1997-1990</b>	Land Cruiser	
Seal (Inner)	.....	226285[2]
Cone/Cup (Inner)	.....	JLM104948-JLM104910[2]
Set (Outer)	.....	SET47[2]
<b>1995-1990</b>	4Runner	
Seal (Inner)	.....	710092[2]
Cone/Cup (Inner)	.....	JLM104948-JLM104910[2]
Set (Outer)	.....	SET47[2]
<b>1995-1990</b>	Pickup (4WD)(Exc. T100)	
Seal (Inner)	.....	710092[2]
Cone/Cup (Inner)	.....	JLM104948-JLM104910[2]
Set (Outer)	.....	SET47[2]
<b>1990</b>	Van (4WD)	
Seal (Inner)	.....	226610[2]
Bearing Assembly (Inne	.....	517012[2]
Set (Outer)	.....	SET47[2]

### **REAR WHEEL**

<b>2006-2001</b>	Sequoia	
Hub Assembly	.....	HA594301[2]
<b>2005-2004</b>	Sienna	
Hub Assembly	.....	HA591080[2]
<b>2005-2003</b>	4Runner	
Bearing Module (LH)	.....	HA594246[2]
Bearing Module (RH)	.....	HA590050[2] <sup>25</sup>
<b>2005-2001</b>	Highlander (2WD)	
Hub Assembly (LH)	.....	HA592460
Hub Assembly (RH)	.....	HA592450

### **REAR WHEEL (cont.)**

<b>2005-2001</b>	Highlander (4WD)	
Seal (Outer)	.....	225275[2]
Ball Bearing	.....	514002B[2]
<b>2005-2001</b>	RAV4 (ABS)	
Hub Assembly	.....	HA594504[2]
<b>2005-2001</b>	RAV4 (w/o ABS)	
Hub Assembly	.....	HA594241[2]
<b>2005-2000</b>	Tundra	
Seal (Outer)	.....	1956S[2]
Ball Bearing	.....	511031[2] <sup>25</sup>
Seal (Inner)	.....	1960[2]
<b>2004-2001</b>	Tacoma	
Seal (Inner)	.....	1960[2]
Ball Bearing	.....	511031[2] <sup>25</sup>
Seal (Outer)	.....	1956S[2]
<b>2004-1998</b>	Land Cruiser	
Ball Bearing	.....	510011[2]
<b>2003-1998</b>	Sienna (ABS)	
Hub Assembly	.....	512041[2]
<b>2002-2001</b>	4Runner (ABS)	
Seal (Inner)	.....	1960[2]
Ball Bearing (Inner)	.....	511031[2] <sup>25</sup>
Seal (Outer)	.....	1956S[2]
<b>2000-1996</b>	RAV4	
Bearing Module	.....	512038[2]
<b>2000-1995</b>	Tacoma (ABS)	
Seal (Inner)	.....	1960[2]
Ball Bearing (Inner)	.....	511021[2]
Seal (Outer)	.....	1956S[2]
<b>2000-1995</b>	Tacoma (w/o ABS)	
Seal (Inner)	.....	1960[2]
Ball Bearing (Inner)	.....	RW130R[2]
Seal (Outer)	.....	1956S[2]
<b>2000-1990</b>	4Runner (ABS)	
Seal (Inner)	.....	1960[2]
Ball Bearing (Inner)	.....	511021[2]
Seal (Outer)	.....	1956S[2]
<b>2000-1990</b>	4Runner (w/o ABS)	
Seal (Inner)	.....	1960[2]
Ball Bearing (Inner)	.....	RW130R[2]
Seal (Outer)	.....	1956S[2]
<b>1998-1993</b>	T100 (ABS)	
Seal (Inner)	.....	1960[2]
Ball Bearing (Inner)	.....	511021[2]
Seal (Outer)	.....	1956S[2]
<b>1998-1993</b>	T100 (w/o ABS)	
Seal (Inner)	.....	1960[2]
Ball Bearing (Inner)	.....	RW130R[2]
Seal (Outer)	.....	1956S[2]
<b>1997-1991</b>	Previa (ABS)(Disc Brks.)	
Seal (Inner)	.....	710178[2]
Ball Bearing (Inner)	.....	510005[2]
Seal (Outer)	.....	1955[2]
<b>1997-1991</b>	Previa (w/o ABS)(Drum Brks.)	
Seal (Inner)	.....	710178[2]
Ball Bearing (Inner)	.....	511001[2]
Seal (Outer)	.....	1955[2]

Mfg./Year	Model & Location	Part No	Mfg./Year	Model & Location	Part No
<b>TOYOTA TRUCK - PICKUP, MINIVAN, SUV - Highlander, Highlander AWD, Landcruiser, Pickup, Previa, RAV4, RAV4 4WD, Sequoia, Sienna, Tacoma, Tundra, T100, Van, 4Runner (cont.)</b>					

**REAR WHEEL (cont.)**

<b>1997-1990</b>	Land Cruiser (Semi Floating Axle)	
	Seal .....	1959[2]
	Cylindrical Bearing .....	513008[2]
<b>1997-1990</b>	Land Cruiser (Full Floating Axle)	
	Seal (Inner) .....	226285[2]
	Cone/Cup (Inner) .....	JLM104948-JLM104910[2]
	Seal (Outer) .....	710076[2]
	Set (Outer) .....	SET47[2]
<b>1995-1991</b>	Pickup (SRW)(ABS)	
	Seal (Inner) .....	1960[2]
	Ball Bearing (Inner) .....	511021[2]
	Seal (Outer) .....	1956S[2]
<b>1995-1990</b>	Pickup (DRW)(Full Floating Axle)	
	Seal (Inner) .....	226285[2]
	Cone/Cup (Inner) .....	JLM104948-JLM104910[2]
	Seal (Outer) .....	710076[2]
	Set (Outer) .....	SET47[2]
<b>1995-1990</b>	Pickup (SRW)(Semi Floating Axle)	
	Seal (Inner) .....	1960[2]
	Ball Bearing (Inner) .....	RW130R[2]
	Seal (Outer) .....	1956S[2]
<b>1990</b>	Van Wagon	
	Seal .....	1955[2]
	Ball Bearing .....	514001WB[2]

**4WD FRONT AXLE**

**Axle Shaft**

<b>2002-1990</b>	(IFS 7.5", 6.7" R.G.)	
	Ball Bearing .....	B30[2]

**Differential Rebuild Kit**

<b>2003-1995</b>	Tacoma (w/o Locking Diff.)	
	Kit .....	DRK355A
<b>2003-1990</b>	Pickup (7.5" R.G.)	
	Kit .....	DRK350
<b>2002-1990</b>	4Runner (7.5" R.G.)	
	Kit .....	DRK350
<b>1997-1990</b>	FJ80 (Locking Diff.)	
	Kit .....	DRK356
<b>1997-1990</b>	FJ80 (w/o Locking Diff.)	
	Kit .....	DRK356A

**Differential**

<b>2002-1991</b>	(8.875" R.G.)	
	Bearing Assembly .....	32010X[2]
<b>1990</b>	(7.8" , 9.25" , 9.5" R.G.)	
	Cone/Cup .....	17887-17831[2]

**Pinion**

<b>2004-1990</b>	(IFS 7.5" R.G.)	
	Bearing Assembly (Inne .....	32307
	Seal (Outer) .....	1177
	Bearing Assembly (Outer) .....	30306M

**4WD FRONT AXLE (cont.)**

**Pinion (cont.)**

<b>2002-1991</b>	(8.875" R.G.)	
	Seal (Outer) .....	1177
<b>1997-1990</b>	(6.7" R.G.)	
	Cone/Cup (Inner) .....	HM88649-HM88610
	Seal (Outer) .....	1176S
	Cone/Cup (Outer) .....	M86649-M86610
<b>1990</b>	(9.5" R.G.)	
	Seal (Outer) .....	1177
	Bearing Assembly (Outer) .....	30306M

**Steering Knuckle**

<b>1990</b>	(9.25", 9.5" R.G.)	
	Bearing Assembly .....	30303

**REAR AXLE**

**Differential Rebuild Kit**

<b>2003-2000</b>	Tundra (w/o Locking Diff.)	
	Kit .....	DRK355
<b>2003-1996</b>	Tacoma (Locking Diff Prod. from 9/96 on)	
	Kit .....	DRK354A
<b>2003-1995</b>	Tacoma (w/o Locking Diff.)	
	Kit .....	DRK355
<b>2003-1990</b>	Pickup (8" R.G.)	
	Kit .....	DRK352
<b>2003-1990</b>	Pickup (7.5" R.G.) 4Cyl. (w/o Turbo)	
	Kit .....	DRK353
<b>2003-1990</b>	Pickup (7.5" R.G.)	
	Kit .....	DRK350
<b>2003-1990</b>	Pickup (8" R.G.)	
	Kit .....	DRK351
<b>2001-1990</b>	4Runner (8" R.G.)(V6/Turbo)	
	Kit .....	DRK352
<b>2000-1990</b>	(8" R.G.)	
	Kit .....	DRK351
<b>1998-1995</b>	T100 (w/o Locking Diff.)	
	Kit .....	DRK355
<b>1997-1990</b>	FJ80 (Locking Diff.)	
	Kit .....	DRK357
<b>1997-1990</b>	FJ80 (w/o Locking Diff.)	
	Kit .....	DRK357A
<b>1996-1995</b>	Tacoma (Locking Diff Prod. from 9/95 to 9/96)	
	Kit .....	DRK354

**Differential**

<b>2005-1996</b>	(6.7" R.G.)	
	Seal .....	710419[2]
	Set .....	SET45[2]
<b>2005-1991</b>	(8.875" R.G.)	
	Bearing Assembly .....	32010X[2]
<b>1995-1990</b>	(7.1" , 7.8" , 9.5" R.G.)	
	Cone/Cup .....	17887-17831[2]

# Bearings and Seals

Mfg./Year    Model & Location    Part No    Mfg./Year    Model & Location    Part No

**TOYOTA TRUCK - PICKUP, MINIVAN, SUV - Highlander, Highlander AWD, Landcruiser, Pickup, Previa, RAV4, RAV4 4WD, Sequoia, Sienna, Tacoma, Tundra, T100, Van, 4Runner (cont.)**

## REAR AXLE

### Pinion

<b>2005-1996</b> (6.7" R.G.)	
Cone/Cup (Inner) .....	HM88649-HM88610
Seal (Outer) .....	1176S
Cone/Cup (Outer) .....	M86649-M86610
<b>2002-1993</b> (8.25" R.G.)	
Seal (Outer) .....	71052S
Cone/Cup (Outer) .....	HM88649-HM88610
<b>2002-1991</b> (8.875" R.G.)	
Seal (Outer) .....	1177
<b>1995-1990</b> (7.8" R.G.)	
Bearing Assembly (Inne .....	32307
Seal (Outer) .....	1177
Bearing Assembly (Outer) .....	30306M
<b>1990</b> (7.1" R.G.)	
Bearing Assembly (Inne .....	32307
Seal (Outer) .....	1177
Bearing Assembly (Outer) .....	30306M
<b>1990</b> (9.5" R.G.)	
Bearing Assembly (Inne .....	32307
Seal (Outer) .....	1177
Bearing Assembly (Outer) .....	30306M

## TRANSFER CASE REBUILD KIT

<b>2003-1990</b> Land Cruiser	
Kit .....	TRKFT500

## TRANSFER CASE

### Input Shaft

<b>2002-1990</b> (RF1A)(M/T)	
Ball Bearing .....	307L
<b>1997-1990</b> (HF2A, HF2AV)	
Seal .....	224810
Kwik Slv (Opt Rpr) .....	KWK99189

### Front Output Shaft

<b>2002-1990</b> (VF1A)(A/T)	
Seal .....	710140
<b>2002-1990</b> (VF1A)(M/T)	
Seal .....	710114
<b>2002-1990</b> (RF1A)(A/T)	
Seal .....	225874
<b>2002-1990</b> (RF1A)(M/T)	
Seal .....	223840
Ball Bearing .....	308L
<b>1997-1991</b> (TF1AV)	
Seal .....	710319
<b>1997-1990</b> (HF2A, HF2AV)	
Seal .....	224815
Ball Bearing .....	208S
Kwik Slv (Opt Rpr) .....	KWK99189

## TRANSFER CASE

### Rear Output Shaft

<b>2002-1990</b> (VF1A)(A/T)	
Seal .....	710140
<b>2002-1990</b> (VF1A)(M/T)	
Seal .....	710114
<b>2002-1990</b> (RF1A)	
Seal .....	223840
<b>1997-1991</b> (TF1AV)	
Seal .....	710254
<b>1997-1990</b> (HF2A, HF2AV)	
Seal .....	710173
Ball Bearing .....	110CB

### Idler Shaft

<b>2002-1990</b> (RF1A)(M/T)	
Ball Bearing .....	306L

## TRANSMISSION REBUILD KIT

<b>2003-1996</b> E250	
Kit .....	TRKFT410
<b>2003-1995</b> (W59)	
Kit .....	TRKFT210
<b>2003-1994</b> (R150, R151)	
Kit .....	TRKFT340
<b>2003-1990</b> (H42)	
Kit .....	TRKFT470
<b>1998-1994</b> (R150, R151)(From 8/94 On)	
Kit .....	TRKFT340
<b>1997-1990</b> (G57, G59)	
Kit .....	TRKFT190
<b>1994-1993</b> (R150, R151)	
Kit .....	TRKFT200
<b>1990</b> (G53)	
Kit .....	TRKFT440

## 4-SPEED AUTOMATIC TRANSMISSION

### Torque Converter

<b>2003-2000</b> (A46DE, A46DF, A44DL, A45DL, A340E, A340H, A343F)	
Seal .....	223830
Kwik Slv (Opt Rpr) .....	KWK99147
<b>1999-1990</b> (A46DE, A46DF, A44DL, A45DL, A340E, A340H, A343F)	
Seal .....	223830
Kwik Slv (Opt Rpr) .....	KWK99147
<b>1997-1990</b> (A440H, A440L, A442F)	
Seal Viton .....	202S
Kwik Slv (Opt Rpr) .....	KWK99169

Mfg./Year	Model & Location	Part No	Mfg./Year	Model & Location	Part No
<b>TOYOTA TRUCK - PICKUP, MINIVAN, SUV - Highlander, Highlander AWD, Landcruiser, Pickup, Previa, RAV4, RAV4 4WD, Sequoia, Sienna, Tacoma, Tundra, T100, Van, 4Runner (cont.)</b>					

**4-SPEED AUTOMATIC TRANSMISSION**

**Rear Seal/Ext. Housing**

2003-1990	(A340E, A340F, A340H, A343F)	
Seal	.....	3459S
1997-1990	(A440H, A440L, A442F)	
Seal	.....	224820
1997-1990	(A46DE, A46DF, A44DL, A45DL)	
Seal	.....	710319

**Selector Shaft Seal/Man. Shaft**

2002-1990		
Seal	.....	221207
Kwik Slv (Opt Rpr)	.....	KWK99049

**CLUTCH**

**Pilot Bearing**

2002-2001	Highlander	
Ball Bearing	.....	201CC
2002-2001	Sequoia	
Ball Bearing	.....	201CC
2002-2000	Tundra	
Ball Bearing	.....	201CC
2002-1998	Sienna	
Ball Bearing	.....	201CC
2002-1996	RAV4	
Ball Bearing	.....	201CC
2002-1995	Tacoma pickup	
Ball Bearing	.....	201CC
2002-1990	Land Cruiser (Gas)	
Ball Bearing	.....	201CC
2002-1990	4Runner	
Ball Bearing	.....	201CC
1998-1993	T100	
Ball Bearing	.....	201CC
1994-1990	Pickup	
Ball Bearing	.....	201CC
1991-1990	Hi Lux	
Ball Bearing	.....	201CC

**Release Bearing**

2003-2000	Tundra	
Bearing Assembly	.....	614162
2002-2001	Sequoia	
Bearing Assembly	.....	614162
2002-1998	Land Cruiser	
Bearing Assembly	.....	614162
2002-1998	Sienna	
Bearing Assembly	.....	614086
2002-1996	4Runner V6	
Bearing Assembly	.....	614162
2002-1996	RAV4	
Bearing Assembly	.....	614084
2002-1995	Tacoma pickup L4	
Bearing Assembly	.....	614088
2002-1995	Tacoma pickup V6	
Bearing Assembly	.....	614162

**CLUTCH (cont.)**

**Release Bearing (cont.)**

2000-1990	4Runner L4	
Bearing Assembly	.....	614088
1998-1995	T100 V6	
Bearing Assembly	.....	614162
1998-1994	T100 L4	
Bearing Assembly	.....	614088
1995-1990	4Runner V6	
Bearing Assembly	.....	614086
1995-1990	Pickup (2WD)	
Bearing Assembly	.....	614086
1995-1990	Pickup (4WD)	
Bearing Assembly	.....	614086
1994-1993	T100 V6	
Bearing Assembly	.....	614086
1993-1990	Land Cruiser (Gas)	
Bearing Assembly	.....	614086

**4-SPEED MANUAL TRANSMISSION**

**Input Shaft**

1995-1990	(G40, N40, W42, W46)	
Seal	.....	1981
Kwik Slv (Opt Rpr)	.....	KWK99114

**Rear Output Shaft**

1995-1990	(G40, W46)	
Seal	.....	223840

**5-SPEED MANUAL TRANSMISSION**

**Front Input Shaft**

2002-1995	(W55, W56, G58, W58, W59)	
Seal	.....	1981
Kwik Slv (Opt Rpr)	.....	KWK99114
2002-1990	(R150, R150F, R151F, R154)	
Seal	.....	223253
1994-1990	(G50, G52, G53, G54, G57, G58, G59, W50, W52, W55, W56, W58)	
Seal	.....	1981
Kwik Slv (Opt Rpr)	.....	KWK99114

**Countershaft**

1995-1990	(R154)	
Cylindrical Bearing (Frnt)	.....	MSNB5305GTBV

**Rear Output Shaft**

2002-1995	(W55, W56, G58, W58, W59)	
Seal	.....	223840
2002-1990	(R150, R150F, R151F, R154)	
Seal	.....	3459S
1994-1990	(G50, G52, G53, G54, G57, G58, G59, W50, W52, W55, W56, W58)	
Seal	.....	710319

# Bearings and Seals

Mfg./Year	Model & Location	Part No	Mfg./Year	Model & Location	Part No
<b>TOYOTA TRUCK - PICKUP, MINIVAN, SUV - Highlander, Highlander AWD, Landcruiser, Pickup, Previa, RAV4, RAV4 4WD, Sequoia, Sienna, Tacoma, Tundra, T100, Van, 4Runner (cont.)</b>					

## 4-SPEED AUTOMATIC TRANSAXLE

### Torque Converter

2002-1996		
Seal	.....	223830
Kwik Slv (Opt Rpr)	.....	KWK99147

### Input Shaft

2002-1996	(A240E, A241E)	
Seal	.....	710138
Kwik Slv (Opt Rpr)	.....	KWK99139

### Output Shaft

2002-1996	(A240E, A241E)	
Seal (LH)	.....	710109
Seal (RH)	.....	710110
2002-1996	(A540E, A540H)	
Seal (LH)	.....	712551
Seal (RH)	.....	710112

### Selector Shaft Seal/Man. Shaft

2002-1996		
Seal	.....	221207
Kwik Slv (Opt Rpr)	.....	KWK99049

## DRIVESHAFT SUPPORT

2002-2000	Tundra (4WD)	
Hanger Brg Assy	.....	HB26
2002-1995	Tacoma (4WD)	
Hanger Brg Assy	.....	HB26
2002-1995	Tacoma (4WD)	
Hanger Brg Assy	.....	HB31
1998-1993	T100 (4WD)	
Hanger Brg Assy	.....	HB26
1998-1993	T100 (4WD)	
Hanger Brg Assy	.....	HB28
1995-1990	Pickup (4WD)	
Hanger Brg Assy	.....	HB24
1995-1990	Pickup (4WD) 4 Cyl.	
Hanger Brg Assy	.....	HB9
1995-1990	Pickup (4WD) V6	
Hanger Brg Assy	.....	HB27

## POWER STEERING

### Pump Shaft

2002-1998	Land Cruiser, Sienna	
Seal	.....	710412
2001-1996	Tacoma, T100, 4Runner (L4 Eng)	
Seal	.....	710251
2001-1996	Tacoma, T100, 4Runner (V6 Eng)	
Seal	.....	710412
2000-1996	RAV4	
Seal	.....	710156
1997-1991	Previa	
Seal	.....	710251

## POWER STEERING (cont.)

### Pump Shaft (cont.)

1995	4Runner	
Seal	.....	710156
1995-1993	Tacoma, T100 (L4 Eng)	
Seal	.....	710251
1995-1993	Tacoma, T100 (V6 Eng)	
Seal	.....	710412
1994-1990	Land Cruiser, Pickup, 4Runner, Van Wagon	
Seal	.....	710156

### Sector Shaft

1991-1990	Pickup	
Seal	.....	223400
1991-1990	Land Cruiser	
Seal	.....	223210

### Worm Shaft

2000-1996	RAV4	
Seal (Lower)	.....	710155
Seal (Upper)	.....	710154

## MANUAL STEERING

### Pitman Shaft

1997-1993	Tacoma, T100	
Seal	.....	221510
1991-1990	Land Cruiser, Pickup, 4Runner	
Seal	.....	710343

### Sector Shaft

1991-1990	4Runner	
Seal	.....	223400
1991-1990	Pickup	
Seal	.....	223400

## CAMSHAFT SEAL

### 4 Cylinder

2003-1996	1998cc/2.0L (DOHC)	
Seal	.....	1987S
Kwik Slv (Opt Rpr)	.....	KWK99139

### 6 Cylinder

2002-1995	2995cc/3.0L, 3378cc/3.4L	
Seal	.....	223801
Kwik Slv (Opt Rpr)	.....	KWK99147
1995-1990	2958cc/3.0L	
Seal	.....	224205

### 8 Cylinder

2004-1998	4664cc/4.7L	
Seal	.....	223802
Kwik Slv (Opt Rpr)	.....	KWK99147

Mfg./Year	Model & Location	Part No	Mfg./Year	Model & Location	Part No
<b>TOYOTA TRUCK - PICKUP, MINIVAN, SUV - Highlander, Highlander AWD, Landcruiser, Pickup, Previa, RAV4, RAV4 4WD, Sequoia, Sienna, Tacoma, Tundra, T100, Van, 4Runner (cont.)</b>					

<b>CRANKSHAFT FRONT SEAL</b>	
<b>4 Cylinder</b>	
2002-1996	1998cc/2.0L
Seal Viton	2025
Kwik Slv (Opt Rpr)	KWK99166
2002-1991	2438cc/2.4L, 2693cc/2.7L
Seal	224840
Kwik Slv (Opt Rpr)	KWK99189
1995-1990	2189cc/2.2L, 2366cc/2.4L
Seal	710345
Kwik Slv (Opt Rpr)	KWK99177
<b>6 Cylinder</b>	
2002-1990	2958cc/3.0L, 3378cc/3.4L
Seal	224020
Kwik Slv (Opt Rpr)	KWK99157
1997-1993	4476cc/4.5L
Seal	710187
1992-1990	3955cc/4.0L, 4230cc/4.2l
Seal	710345
Kwik Slv (Opt Rpr)	KWK99177
<b>CRANKSHAFT REAR SEAL</b>	
<b>4 Cylinder</b>	
2004-1991	2438cc/2.4L, 2693cc/2.7L
Seal Viton	710188
2000-1996	1998cc/2.0L
Seal	716102

<b>CRANKSHAFT REAR SEAL (cont.)</b>	
<b>4 Cylinder (cont.)</b>	
1995-1990	1858cc/1.9L, 1968cc/2.0L, 2189cc/2.2L, 2237cc/2.2L, 2366cc/2.4L
Seal	228010
Kwik Slv (Opt Rpr)	KWK99315
<b>6 Cylinder</b>	
2003-1990	2958cc/3.0L, 2995cc/3.0L, 3378cc/3.4L
Seal Viton	229210
Kwik Slv (Opt Rpr)	KWK99360
1997-1993	4476cc/4.5L
Seal	231004
1992-1990	3955cc/4.0L
Seal	231052 <sup>16</sup>
Kwik Slv (Opt Rpr)	KWK99413
<b>8 Cylinder</b>	
2003-1998	4664cc/4.7L
Seal Viton	710352
Kwik Slv (Opt Rpr)	KWK99364

**UD TRUCK - LIGHT - 1100 Series**

<b>FRONT WHEEL</b>	
<b>1991-1990</b>	
Bearing Assembly (Inne	32208M[2]
Bearing Assembly (Outer)	32305[2]
<b>REAR WHEEL</b>	
<b>1991-1990</b>	
Bearing Assembly (Inne	33013[2]
Bearing Assembly (Outer)	32011XM[2]

<b>CLUTCH</b>	
<b>Pilot Bearing</b>	
1991-1990	6 Cyl. 3.5 (Turbo Diesel)
Bushing	PB22
<b>Release Bearing</b>	
1991-1990	6 Cyl. 3.5 (Turbo Diesel)
Bearing Only	613015

**UD TRUCK - MEDIUM - C, 550, 600, 1800, 2000 - 3300 Series, Xpress**

<b>FRONT WHEEL</b>	
<b>1993-1990</b> 2600, 2800	
Seal (Inner)	710405[2]
Bearing Assembly (Outer)	30312[2]
<b>1993-1990</b> CLA83, CMA83, 2300	
Bearing Assembly	32211M[2]

<b>REAR WHEEL</b>	
<b>1993-1990</b> 2600, 2800	
Seal (Inner)	710406[2]
Bearing Assembly (Inne	32215[2]
Seal (Outer)	710407[2]
Bearing Assembly (Outer)	32217M[2]

<sup>16</sup>Part Obsolete, Check For Availability, While Supplies Last

# Bearings and Seals

Mfg./Year	Model & Location	Part No	Mfg./Year	Model & Location	Part No
<b>UD TRUCK - MEDIUM - C, 550, 600, 1800, 2000 - 3300 Series, Xpress (cont.)</b>					

## REAR WHEEL (cont.)

1993-1990	3300, 600	
	Bearing Assembly (Inne .....	32215[2]
	Bearing Assembly (Outer) .....	32217M[2]
1993-1990	CLA83, CMA83, 1800, 2000, 2300	
	Bearing Assembly (Inne .....	32215[2]
	Bearing Assembly (Outer) .....	32213M[2]
1991-1990	CPB12, CPC12, 3000, 550	
	Bearing Assembly (Outer) .....	32217M[2]

## REAR AXLE

### Pinion

1993-1990	LFE400	
	Bearing Assembly (Inne .....	30311
	Bearing Assembly (Outer) .....	30309M
1993-1990	LFE700	
	Bearing Assembly (Inne .....	30311

## VOLKSWAGEN - Cabrio, Cabriolet, Corrado, Fox, Golf, GTI, Jetta, New Beetle, Passat

### FRONT WHEEL

2004-2000	Golf	
	Ball Bearing .....	510003[2]
2004-1999	Jetta	
	Ball Bearing .....	510003[2]
2004-1998	New Beetle	
	Ball Bearing .....	510003[2]
2004-1998	Passat 4 Cyl.	
	Ball Bearing .....	510019[2]
2004-1998	Passat V6	
	Ball Bearing .....	510020[2]
2002-1995	Cabrio	
	Ball Bearing .....	510004[2]
1999-1995	Golf (L4)	
	Ball Bearing .....	510003[2]
1999-1995	Golf V6	
	Ball Bearing .....	510004[2]
1998-1990	Jetta (From 8/1987)(Ch. # J010565)	
	Ball Bearing .....	510004[2]
1997-1990	Passat	
	Ball Bearing .....	510004[2]
1994-1990	Corrado	
	Ball Bearing .....	510004[2]
1994-1990	Golf, GTI (From Ch. # 17J013200)	
	Ball Bearing .....	510004[2]
1993-1990	Fox	
	Set .....	SET39[2]
1993-1990	Cabriolet	
	Set .....	SET35[2]

### REAR WHEEL

2004-1999	Golf	
	Hub Assembly .....	512012[2]
2004-1999	Jetta	
	Hub Assembly .....	512012[2]
2004-1998	New Beetle	
	Hub Assembly .....	512012[2]
2004-1998	Passat	
	Hub Assembly Update Sept 05 .....	512187[2] <sup>25</sup>

### REAR WHEEL (cont.)

2002-1995	Cabrio	
	Seal (Inner) .....	1962[2]
	Set (Inner) .....	SET8[2]
	Set (Outer) .....	SET1[2]
2001-1998	Passat Syncro	
	Ball Bearing .....	510019[2]
1998	Golf, Jetta	
	Seal (Inner) .....	1962[2]
	Set (Inner) .....	SET8[2]
	Set (Outer) .....	SET1[2]
1997-1990	(Exc. Fox & Synchro Models)	
	Seal (Inner) .....	1962[2]
	Set (Inner) .....	SET8[2]
	Set (Outer) .....	SET1[2]
1993-1990	Fox	
	Seal (Inner) .....	1174S[2]
	Set (Inner) .....	SET8[2]
	Set (Outer) .....	SET1[2]
1990	Golf Synchro, Quantum Synchro	
	Set .....	SET39[2]

## REAR AXLE

### Differential

2002-2001	Passat (AWD)	
	Cone/Cup (LH) .....	LM300849-LM300811
	Seal (RH) .....	224520
	Set (RH) .....	SET45
	Kwik Slv (Opt Rpr) .....	KWK99177

### Pinion

2002-2001	Passat (AWD)	
	Cone/Cup (Inner) .....	HM801346X-HM801310
	Cone/Cup (Outer) .....	M88048-M88010

## CLUTCH - 4 CYLINDER

### Pilot Bearing

2002-1990		
	Needle Bearing .....	F85265

## **VOLKSWAGEN - Cabrio, Cabriolet, Corrado, Fox, Golf, GTI, Jetta, New Beetle, Passat (cont.)**

### **CLUTCH - 6 CYLINDER**

#### **Pilot Bearing**

2002-1998  
Bearing Only ..... F212285

### **CLUTCH**

#### **Release Bearing**

2002            4 Cyl. 1.8 (220mm Cl.)  
Bearing Assembly ..... 614111

2002-2001    4 Cyl. 1.9 (220mm Cl.)  
Bearing Assembly ..... 614111

2002-1998    4 Cyl. 1.8 (DOHC)(215mm Cl.)  
Bearing Assembly ..... 614111

2002-1998    4 Cyl. 1.8 (DOHC)(228mm Cl.)  
Bearing Assembly ..... 614073

2002-1998    4 Cyl. 1.9 (215mm Cl.)  
Bearing Assembly ..... 614111

2002-1998    4 Cyl. 2.0 (215mm Cl.)  
Bearing Assembly ..... 614111

2002-1993    4 Cyl. 2.0 (210mm Cl.)  
Bearing Assembly ..... 614041

2002-1992    6 Cyl. 2.8  
(DOHC)(VR6)(228mm Cl.)  
Bearing Assembly ..... 614111

1998            4 Cyl. 1.9 (228mm Cl.)  
Bearing Assembly ..... 614073

1993-1990    4 Cyl. 2.0 (DOHC)(228mm Cl.)  
Bearing Assembly ..... 614111

1993-1990    4 Cyl. 1.8 (210mm  
Cl.)(VW014)  
Bearing Assembly ..... 614015

1992-1990    4 Cyl. 1.8 (SOHC)(228mm Cl.)  
Bearing Assembly ..... 614111

1992-1990    4 Cyl. 1.6 (Diesel)(210mm Cl.)  
Bearing Assembly ..... 614041

1992-1990    4 Cyl. 1.8 (210mm Cl.)(w/o  
VW014)  
Bearing Assembly ..... 614041

1992-1990    4 Cyl. 2.0 (DOHC)(210mm Cl.)  
Bearing Assembly ..... 614041

1992-1990    4 Cyl. 1.8 (DOHC)(210mm Cl.)  
Bearing Assembly ..... 614041

1992-1990    Fox (4 Spd.)  
Bearing Only ..... VW1339C

1991-1990    4 Cyl. 2.0 (228mm Cl.)  
Bearing Assembly ..... 614015

### **AUTOMATIC TRANSAXLE**

#### **Input Shaft**

1991-1990    (w/o 1.3 L)  
Set ..... SET6

#### **Idler Shaft**

1991-1990    (w/o 1.3 L)  
Set ..... SET6

### **AUTOMATIC TRANSAXLE**

#### **Layshaft**

1991            (w/o 1.3 L)  
Set ..... SET6

#### **Differential**

1993-1991    Golf Synchro  
Cone/Cup ..... LM29749-LM29710[2]

1993-1991    Passat  
Cone/Cup ..... LM300849-LM300811[2]

1993-1990    Golf  
Cone/Cup ..... LM29749-LM29710[2]

1993-1990    Jetta  
Cone/Cup ..... LM29749-LM29710[2]

1993-1990    Scirocco (w/o 1.1 L)  
Cone/Cup ..... LM29749-LM29710[2]

1992-1990    Fox  
Cone/Cup ..... LM29749-LM29710[2]

#### **Pinion**

1990            Quantum 4 Cyl.  
Cone/Cup ..... M86649-M86610[2]

1990            Quantum 5 Cyl.  
Cone/Cup ..... M88048-M88010[2]

### **3-SPEED AUTOMATIC TRANSAXLE**

#### **Torque Converter**

1997-1990  
Seal ..... 3083  
Kwik Slv (Opt Rpr) ..... KWK99169

### **4-SPEED AUTOMATIC TRANSAXLE**

#### **Differential**

2002-1993    (096)  
Cone/Cup ..... LM29749-LM29710[2]

1997-1993    (097)  
Cone/Cup ..... LM503349A-LM503310[2]

1997-1990    (095)  
Cone/Cup (LH) ..... LM300849-LM300811

#### **Torque Converter**

2002-1990    (095, 096)  
Seal ..... 225110  
Kwik Slv (Opt Rpr) ..... KWK99177

#### **Output Shaft**

1997-1990    (095)  
Seal ..... 225010[2]  
Kwik Slv (Opt Rpr) ..... KWK99196[2]



# Bearings and Seals

Mfg./Year    Model & Location    Part No    Mfg./Year    Model & Location    Part No

## **VOLKSWAGEN - Cabrio, Cabriolet, Corrado, Fox, Golf, GTI, Jetta, New Beetle, Passat (cont.)**

### **4-SPEED AUTOMATIC TRANSAXLE**

#### **Pinion**

1997-1993 (097)  
Cone/Cup (Inner) .....LM29749-LM29710  
Bearing Assembly  
(Outer) .....513185

### **5-SPEED AUTOMATIC TRANSAXLE**

#### **Torque Converter**

2002-1998 (ZF5HP19)  
Seal .....224052  
Kwik Slv (Opt Rpr) .....KWK99157

### **4-SPEED MANUAL TRANSAXLE**

#### **Differential**

2002-1990 (020)  
Cone/Cup .....LM29749-LM29710[2]  
1993-1990 (014)  
Cone/Cup .....LM300849-LM300811[2]

#### **Input Shaft**

2002-1990 (020)  
Seal .....222240  
Kwik Slv (Opt Rpr) .....KWK99085  
1993-1990 (014)  
Seal .....222030  
Kwik Slv (Opt Rpr) .....KWK99078

#### **Mainshaft**

2002-1990 (020)  
Set (RH) .....SET8

#### **Output Shaft**

2002-1990 (020)  
Seal Viton .....1965[2]  
Kwik Slv (Opt Rpr) .....KWK99146[2]  
1993-1990 (014)  
Seal .....224052[2]  
Kwik Slv (Opt Rpr) .....KWK99157[2]

#### **Selector Shaft Seal/Man. Shaft**

2002-1990 (020)  
Seal .....221820

### **5-SPEED MANUAL TRANSAXLE**

#### **Differential**

2002-1998 (01A, 012)  
Set (LH) .....SET45  
Cone/Cup (RH) .....LM300849-LM300811  
2002-1990 (02A, 02J)  
Cone/Cup .....LM300849-LM300811[2]

### **5-SPEED MANUAL TRANSAXLE**

#### **Input Shaft**

2002-1990 (01A, 012, 093)  
Seal .....222540  
Kwik Slv (Opt Rpr) .....KWK99098

#### **Output Shaft**

2002-1998 (02J)  
Seal .....1181[2]  
Kwik Slv (Opt Rpr) .....KWK99189[2]  
2002-1990 (01A, 012, 093)  
Seal .....224520[2]  
Kwik Slv (Opt Rpr) .....KWK99177[2]  
1998-1990 (02A)  
Seal .....710147[2]  
Kwik Slv (Opt Rpr) .....KWK99157[2]

### **CAMSHAFT SEAL**

#### **4 Cylinder**

2002-1990  
Seal .....3476S[2]  
Kwik Slv (Opt Rpr) .....KWK99128[2]

#### **6 Cylinder**

2002-1998 2771cc/2.8L  
Seal .....3476S[2]  
Kwik Slv (Opt Rpr) .....KWK99128[2]  
2002-1992 2792cc/2.8L (DOHC)  
Seal .....3476S[4]  
Kwik Slv (Opt Rpr) .....KWK99128[4]

### **CRANKSHAFT FRONT SEAL**

#### **4 Cylinder**

2002-1990  
Seal .....3476S  
Kwik Slv (Opt Rpr) .....KWK99128

#### **6 Cylinder**

2002-1992 2771cc/2.8L, 2792cc/2.8L (DOHC)  
Seal Viton .....1108  
Kwik Slv (Opt Rpr) .....KWK99139

### **CRANKSHAFT REAR SEAL**

#### **4 Cylinder**

2002-1990  
Seal .....716102  
Kwik Slv (Opt Rpr) .....KWK99333

#### **6 Cylinder**

2002-1992 2771cc/2.8L, 2792cc/2.8L (DOHC)  
Seal .....716102  
Kwik Slv (Opt Rpr) .....KWK99333

## VOLKSWAGEN - VW TYPE II : Bus, EuroVan, Van

### FRONT WHEEL

<b>2003-1998</b>	EuroVan	
Ball Bearing	.....	510051[2]
<b>1991-1990</b>	Vanagon	
Seal (Inner)	.....	225500[2]
Cone/Cup (Inner)	.....	LM300849-LM300811[2]
Set (Outer)	.....	SET12[2]

### 4WD/AWD

<b>1991-1990</b>	Vanagon Synchro	
Seal	.....	226515[2]
Ball Bearing	.....	513180[2]

### REAR WHEEL

<b>2003-1992</b>	EuroVan	
Ball Bearing	.....	510051[2]
<b>1991-1990</b>		
Seal	.....	1208S[2]
Ball Bearing (Outer)	.....	RW111[2]
Ball Bearing (Inner)	.....	207[2]

### CLUTCH

#### Release Bearing

<b>1991-1990</b>	4 Cyl. 2.0 (228mm Cl.)	
Bearing Assembly	.....	614015

### 3-SPEED AUTOMATIC TRANSAXLE

#### Torque Converter

<b>1991-1990</b>	(003, 090)	
Seal	.....	3051N
Kwik Slv (Opt Rpr)	.....	KWK99169

#### Output Shaft

<b>1991-1990</b>	(003, 090)	
Seal	.....	224520[2]
Kwik Slv (Opt Rpr)	.....	KWK99177[2]

#### Differential

<b>1991-1990</b>	(003, 090)	
Cone/Cup	.....	LM300849-LM300811[2]

#### Pinion

<b>1991-1990</b>	(003, 090)	
Cone/Cup	.....	M86649-M86610[2]
Seal (Rr)	.....	239146
Seal (Frt)	.....	223010
Kwik Slv (Opt Rpr)	.....	KWK99114

### 5-SPEED MANUAL TRANSAXLE

#### Differential

<b>1991-1990</b>	(094)	
Bearing Assembly	.....	32010X[2]

### 5-SPEED MANUAL TRANSAXLE

#### Input Shaft

<b>1991-1990</b>	(094)	
Seal	.....	222050
Kwik Slv (Opt Rpr)	.....	KWK99085

#### Output Shaft

<b>1991-1990</b>	(094)	
Seal	.....	1943[2]
Kwik Slv (Opt Rpr)	.....	KWK99177[2]

### DRIVESHAFT SUPPORT

<b>1991-1990</b>	Vanagon Synchro	
Ball Bearing (Frt)	.....	107WB
Ball Bearing (Rr)	.....	206WB

### CAMSHAFT SEAL

#### 4 Cylinder

<b>1991-1990</b>	1.5L, 1.6L, 1.7L (Incl. Diesels), 2.0L	
Seal	.....	3476S
Kwik Slv (Opt Rpr)	.....	KWK99128

#### 5 Cylinder

<b>1996-1992</b>	2.5L	
Seal	.....	3476S
Kwik Slv (Opt Rpr)	.....	KWK99128

#### 6 Cylinder

<b>2002-1997</b>	2.8L	
Seal	.....	3476S[2]
Kwik Slv (Opt Rpr)	.....	KWK99128[2]

### CRANKSHAFT FRONT SEAL

#### 5 Cylinder

<b>1996-1992</b>	2.5L	
Seal Viton	.....	1108
Kwik Slv (Opt Rpr)	.....	KWK99139

#### 6 Cylinder

<b>2002-1996</b>	2.8L	
Seal Viton	.....	1108
Kwik Slv (Opt Rpr)	.....	KWK99139

### CRANKSHAFT REAR SEAL

#### 4 Cylinder

<b>1991-1990</b>	1.8L, 1.9L, 2.0L, 2.1L	
Seal	.....	227530
Kwik Slv (Opt Rpr)	.....	KWK99294

#### 6 Cylinder

<b>2002-1996</b>	2.8L	
Seal	.....	716102
Kwik Slv (Opt Rpr)	.....	KWK99333

# Bearings and Seals

Mfg./Year	Model & Location	Part No	Mfg./Year	Model & Location	Part No
<b>VOLVO</b>					
<b>FRONT WHEEL</b>			<b>REAR WHEEL (cont.)</b>		
2004-2000	S40, V40 (Old Style)		1992-1990	740 Ser. (Electronic Trac. Control)	
	Hub Assembly	HA590257[2]		Seal (Inner)	1955[2]
2004-1999	C70 Ser.			Seal (Outer)	9912S[2]
	Hub Assembly	513175[2] <sup>25</sup>	1992-1990	740 Ser. (w/o Electronic Trac. Control)	
2004-1999	S60, S80 Ser.			Seal (Inner)	1176S[2]
	Hub Assembly	513194[2]		Seal (Outer)	9912S[2]
1998	C70, S70, V70 Ser.		1991-1990	760 Ser.	
	Hub Assembly	HA594181[2]		Ball Bearing	513130[2]
1997-1994	960 Ser.		<b>REAR AXLE</b>		
	Hub Assembly	HA590241K[2]	<b>Differential Rebuild Kit</b>		
1995-1991	940 Ser. (w/o ABS)		1993-1990	1030	
	Hub Assembly	513128[2]		Kit	DRK338
1994-1990	760, 780, 940 Ser. (ABS)		<b>Differential</b>		
	Hub Assembly	HA590056K[2] <sup>71</sup>	1997-1990	(1045 axle)	
1993	850			Set	SET45[2]
	Hub Assembly	HA595894[2]	1997-1990	(1041 axle)	
1993-1990	240, 260 Ser.			Cone/Cup	LM501349-LM501314[2]
	Seal (Inner)	482126[2]	1997-1990	(1030, 1031 axle)	
	Set (Inner)	SET17[2]		Cone/Cup	LM501349-LM501314[2]
	Set (Outer)	SET16[2]	1994-1990		
1992-1991	740 Ser. (w/o ABS)			Cone/Cup	LM501349-LM501314[2]
	Hub Assembly	513128[2]	1994-1990	940 Ser.	
1991-1990	780 Ser. (w/o ABS)			Cone/Cup	LM501349-LM501314[2]
	Hub Assembly	513128[2]	1993	850	
1990	740 Ser.			Bearing Assembly	32008XM[2]
	Seal (Inner)	710215[2]	1993-1990	DL, GL, GLT	
	Set (Inner)	SET17[2]		Cone/Cup	LM501349-LM501314[2]
	Set (Outer)	SET16[2]	1993-1990	240 Ser.	
1990	760 Ser. (w/o ABS)			Cone/Cup	LM501349-LM501314[2]
	Hub Assembly	513128[2]	1990	740 Ser.	
				Cone/Cup	LM501349-LM501314[2]
<b>REAR WHEEL</b>			<b>Pinion</b>		
2004-2001	S60		1997-1990	(1031, 1041, 1045 axle)	
	Hub Assembly	HA590389[2]		Cone/Cup (Inner)	HM89449-HM89410
2004-2000	S40, V40 (Old Style)			Seal Viton (Outer)	4941V
	Hub Assembly	HA590257[2]		Cone/Cup (Outer)	M86647-M86610
2004-1999	S80			Kwik Slv (Opt Rpr)	KWK99155
	Hub Assembly	HA590389[2]	1993-1990	(1030 axle)	
2004-1999	V70 Ser.			Cone/Cup (Inner)	HM88649-HM88610
	Hub Assembly	HA590389[2]		Seal Viton (Outer)	4941V
2003-2001	C70 Ser.			Cone/Cup (Outer)	M86648-M86610
	Hub Assembly	HA597957[2]		Kwik Slv (Opt Rpr)	KWK99155
2000-1998	C70, S70, Ser.		<b>CLUTCH - 4 CYLINDER</b>		
	Hub Assembly	HA597957[2]	<b>Pilot Bearing</b>		
2000-1997	S70 (AWD), V70 (AWD), 850 (AWD)		1996-1990		
	Ball Bearing	513130[2]		Ball Bearing	202FF
1998-1997	S90, V90		<b>CLUTCH - 6 CYLINDER</b>		
	Hub Assembly	512234[2]	<b>Pilot Bearing</b>		
	Ball Bearing Opt	513130[2]	1997-1992		
1997-1995	940 Ser.			Ball Bearing	202FF
	Ball Bearing	513130[2]			
1997-1994	960 Ser.				
	Hub Assembly	512234[2]			
	Ball Bearing Opt	513130[2]			
1997-1993	850				
	Hub Assembly	HA597957[2]			
1993-1990	240 Ser.				
	Seal (Inner)	1955[2]			
	Seal (Outer)	9912S[2]			

Mfg./Year	Model & Location	Part No	Mfg./Year	Model & Location	Part No
<b>VOLVO (cont.)</b>					
<b>CLUTCH - 4 CYLINDER</b>			<b>4-SPEED AUTOMATIC TRANSAXLE</b>		
<b>Release Bearing</b>			<b>Output Shaft</b>		
1995-1990	240 Ser. 740 Ser. 940		2002-1999	(4T65 E)	
	Bearing Assembly .....	614039	Seal (LH) .....		100165
<b>CLUTCH - 6 CYLINDER</b>			Kwik Slv (Opt Rpr) (LH) .....		KWK99139
<b>Release Bearing</b>			Seal (RH) .....		3543
1990	740 GLE, 760 GLE		Kwik Slv (Opt Rpr) (RH) .....		KWK99139
	Bearing Assembly .....	614039	2002-1993 (Aisin)		
<b>4-SPEED MANUAL TRANSMISSION</b>			Seal (LH) .....		224025
<b>Input Shaft</b>			Seal (RH) .....		710112
1996-1990	(M45, M46)		<b>Selector Shaft Seal/Man. Shaft</b>		
Seal .....		222820	2002-1999	(4T65 E)	
Ball Bearing .....		207SL	Seal .....		8792S
Kwik Slv (Opt Rpr) .....		KWK99111	2002-1993 (Aisin)		
<b>Countershaft</b>			Seal .....		221207
1996-1990	(M46)		Kwik Slv (Opt Rpr) .....		KWK99049
Set .....		SET4[2]	<b>5-SPEED MANUAL TRANSAXLE</b>		
<b>Rear Output Shaft</b>			<b>Input Shaft</b>		
1996-1990	(M45, M46)		1997-1993		
Seal .....		224010	Bearing Assembly (Inne) .....		32005X
<b>5-SPEED MANUAL TRANSMISSION</b>			Bearing Assembly		
<b>Front Input Shaft</b>			(Outer) .....		32007XM
1996-1990			<b>Output Shaft</b>		
Seal .....		222820	1997-1993		
Kwik Slv (Opt Rpr) .....		KWK99111	Seal .....		224040[2]
<b>Countershaft</b>			Kwik Slv (Opt Rpr) .....		KWK99157[2]
1996-1990			<b>A/C COMPRESSOR</b>		
Set (Center) .....		SET4	1990	(A6)(axial)	
Set (Rr) .....		SET17	Ball Bearing .....		907257
<b>Rear Output Shaft</b>			<b>ALTERNATOR</b>		
1996-1990			1992-1990	(Bosch 70 Amp.)	
Seal .....		1962	Ball Bearing (Drive End) .....		303CC
<b>4-SPEED AUTOMATIC TRANSAXLE</b>			Ball Bearing (Rear End) .....		201CC
<b>Torque Converter</b>			1990	(Bosch 90 Amp.)	
2002-1999	(4T65 E)		Ball Bearing (Drive End) .....		303CC
Seal .....		4072N	Ball Bearing (Rear End) .....		201CC
Kwik Slv (Opt Rpr) .....		KWK99328	<b>DRIVESHAFT SUPPORT</b>		
2002-1993 (Aisin)			1996-1994		
Seal .....		223830	Ball Bearing .....		109FF
Kwik Slv (Opt Rpr) .....		KWK99147	1993-1990 (Type 03 driveshaft)		
<b>4-SPEED AUTOMATIC TRANSAXLE</b>			Ball Bearing .....		109FF
<b>Torque Converter</b>			1993-1990 240 & 260 Ser. (45mm driveshaft)		
2002-1999	(4T65 E)		Ball Bearing .....		109FF
Seal .....		4072N	1992-1990 (Type 03 driveshaft)		
Kwik Slv (Opt Rpr) .....		KWK99328	Ball Bearing .....		107DD
2002-1993 (Aisin)			<b>MANUAL STEERING</b>		
Seal .....		223830	<b>Pitman Shaft</b>		
Kwik Slv (Opt Rpr) .....		KWK99147	1990	(Saginaw pump)	
<b>4-SPEED AUTOMATIC TRANSAXLE</b>			Seal .....		7013S
<b>Torque Converter</b>					
2002-1999	(4T65 E)				
Seal .....		4072N			
Kwik Slv (Opt Rpr) .....		KWK99328			
2002-1993 (Aisin)					
Seal .....		223830			
Kwik Slv (Opt Rpr) .....		KWK99147			

# Bearings and Seals

Mfg./Year	Model & Location	Part No	Mfg./Year	Model & Location	Part No
-----------	------------------	---------	-----------	------------------	---------

## VOLVO (cont.)

### AUXILIARY SHAFT

#### 4 Cylinder

<b>2002-2000</b>	1948cc/1.9L (DOHC)(Turbo)
Seal .....	223020
Kwik Slv (Opt Rpr) .....	KWK99114
<b>1995-1990</b>	1780cc/1.8L, 1990cc/2.0L, 2127cc/2.1L, 2316cc/2.3L
Seal .....	1172S
Kwik Slv (Opt Rpr) .....	KWK99139

### CAMSHAFT SEAL

#### 4 Cylinder

<b>2002-2000</b>	1948cc/1.9L (DOHC)(Turbo)
Seal .....	321460
Kwik Slv (Opt Rpr) .....	KWK99179
<b>1996-1990</b>	2127cc/2.1L, 2316cc/2.3L
Seal .....	1172S
Kwik Slv (Opt Rpr) .....	KWK99139

#### 5 Cylinder

<b>2002-1993</b>	2319cc/2.3L, 2435cc/2.4L
Seal (Frt) .....	321460[2]
Kwik Slv (Opt Rpr) (Frt) .....	KWK99179[2]
Seal (Rr) .....	223020[2]
Kwik Slv (Opt Rpr) (Rr) .....	KWK99114[2]

#### 6 Cylinder

<b>2002-1992</b>	2922cc/2.9L (DOHC)
Seal (Frt) .....	321460[2]
Kwik Slv (Opt Rpr) (Frt) .....	KWK99179[2]
Seal (Rr) .....	223020[2]
Kwik Slv (Opt Rpr) (Rr) .....	KWK99114[2]

### CRANKSHAFT FRONT SEAL

#### 4 Cylinder

<b>2002-2000</b>	1948cc/1.9L
Seal .....	223601
Kwik Slv (Opt Rpr) .....	KWK99146
<b>1996-1990</b>	2127cc/2.1L, 2316cc/2.3L
Seal Viton .....	710190

#### 5 Cylinder

<b>2002-1993</b>	2319cc/2.3L, 2435cc/2.4L
Seal .....	223601
Kwik Slv (Opt Rpr) .....	KWK99146

#### 6 Cylinder

<b>2002-1992</b>	2922cc/2.9L (DOHC)
Seal .....	223601
Kwik Slv (Opt Rpr) .....	KWK99146

### CRANKSHAFT REAR SEAL

#### 4 Cylinder

<b>1996-1990</b>	1780cc/1.8L, 1990cc/2.0L, 2127cc/2.1L, 2316cc/2.3L
Seal Viton .....	229210

## VOLVO TRUCK - FE Series

### FRONT WHEEL

<b>1991-1990</b>	(FE715, FE716, FA6.5 Axle)
Cone/Cup (Inner) .....	6386-6320[2]
Cone/Cup (Outer) .....	537-532X[2]
<b>1991-1990</b>	(FE715, FE716, FA7.5 Axle)
Cone/Cup (Inner) .....	JF7049A-JF7010[2]
Cone/Cup (Outer) .....	39580-39520[2]
<b>1991-1990</b>	FE613, FE614
Cone/Cup (Inner) .....	JM207049-JM207010[2]
Bearing Assembly (Outer) .....	32208M[2]
<b>1991-1990</b>	FE615
Cone/Cup (Inner) .....	HM212044-HM212011[2]
Cone/Cup (Outer) .....	JM205149-JM205110[2]

### REAR WHEEL

<b>1991-1990</b>	FE615
Cone/Cup (Inner) .....	594-592A[2]
Cone/Cup (Outer) .....	580-572[2]

### REAR WHEEL (cont.)

<b>1991-1990</b>	FE715, FE716
Cone/Cup (Inner) .....	683-672[2]
Cone/Cup (Outer) .....	663-653[2]
<b>1991-1990</b>	(F/FE 600 Ser.)(w/o FE615)
Seal (Inner) .....	231004[2]
Bearing Assembly (Inne .....	33018[2]
Bearing Assembly (Outer) .....	33015[2]

### REAR AXLE

#### Differential

<b>1993-1992</b>	(Eaton 21065S, 23070S)
Cone/Cup (LH) .....	598-592A
Cone/Cup (RH) .....	497-493
<b>1993-1992</b>	(Rockwell 21145 axle)
Cone/Cup .....	JM716649-JM716610[2]
<b>1991-1990</b>	EV80
Cone/Cup .....	594-592A[2]
<b>1991-1990</b>	EV85B
Cone/Cup .....	687-672[2]

**REAR AXLE (cont.)**

**Differential (cont.)**

1991-1990	EV75	
	Cone/Cup (LH)	56425-56650
	Cone/Cup (RH)	497-493

**Pinion**

1993-1992	(Eaton 21065S axle)	
	Cone/Cup (Inner)	78215C-78551
	Seal (Outer)	9773R
	Cone/Cup (Outer)	55200C-55437
	Kwik Slv (Opt Rpr)	KWK99262
	Cylindrical Bearing Pilo	MUS1308UM
1993-1992	(Eaton 23070S axle)	
	Cone/Cup (Inner)	H913842-H913810
	Seal (Outer)	712937
	Cone/Cup (Outer)	72212C-72487
	Kwik Slv (Opt Rpr)	KWK99293
	Cylindrical Bearing Pilo	MUS1308UM
1993-1992	(Rockwell 21145 axle)	
	Cone/Cup (Inner)	72212C-72487
	Seal (Outer)	3905
	Cone/Cup (Outer)	55206C-55437
	Kwik Slv (Opt Rpr)	KWK99300
	Cylindrical Bearing Pilo	RU1570UM
1991-1990	EV80	
	Cone/Cup (Outer)	HM911245-HM911210
1991-1990	EV85B	
	Cone/Cup (Outer)	H913842-H913810
1991-1990	EV75	
	Seal (Outer)	9773R
	Kwik Slv (Opt Rpr)	KWK99262

**4-SPEED AUTOMATIC TRANSMISSION**

**Torque Converter**

1993-1990	(Allison MT640, MT643)	
	Seal Viton	710180
	Kwik Slv (Opt Rpr)	KWK99325
1991-1990	(Allison AT545)	
	Seal	6712NA
	Kwik Slv (Opt Rpr)	KWK99187

**Rear Seal/Ext. Housing**

1991-1990	(Allison MT640)	
	Seal	415988
1991-1990	(Allison AT545)	
	Seal	415988

**Selector Shaft Seal/Man. Shaft**

1993-1990	(Allison MT640, MT643)	
	Seal	340847
1993-1990	(Allison AT545)	
	Seal	340847

**4-SPEED AUTOMATIC TRANSMISSION**

**Output Shaft**

1993-1990	(Allison MT640, MT643)	
	Seal	476424N
	Ball Bearing	209L

**CLUTCH**

**Pilot Bearing**

1993-1990	5.5 (Turbo Diesel) 6.7 (Turbo Diesel)	
	Ball Bearing	205FF

**Release Bearing**

1991-1990	6.7 (Turbo Diesel)	
	Bearing Assembly	614119

**5-SPEED MANUAL TRANSMISSION**

**Front Input Shaft Pocket**

1991-1990	(ZF S5 35)	
	Seal	224252
	Kwik Slv (Opt Rpr)	KWK99169

**Countershaft**

1991-1990	(ZF S5 35)	
	Bearing Assembly	30208M

**Rear Output Shaft**

1991-1990	(ZF S5 35)	
	Seal Viton	226001

**6-SPEED MANUAL TRANSMISSION**

**Front Input Shaft**

1993-1992	(Fuller FS6206)	
	Cone/Cup	39590-39520
1991-1990	(ZF S6 65)	
	Seal	1973
	Kwik Slv (Opt Rpr)	KWK99189

**Countershaft**

1993-1992	(Fuller FS6206)	
	Cone/Cup (Frt)	25590-25522
	Cone/Cup (Rr)	3782-3720
1991-1990	(ZF S6 65)	
	Ball Bearing (Frt)	203FF

**Rear Output Shaft**

1991-1990	(ZF S6 65)	
	Seal	227040
	Ball Bearing	311L

# Bearings and Seals

Mfg./Year	Model & Location	Part No	Mfg./Year	Model & Location	Part No
-----------	------------------	---------	-----------	------------------	---------

## ***VOLVO TRUCK - FE Series (cont.)***

### **6-SPEED MANUAL TRANSMISSION**

#### **Selector Shaft Seal/Man. Shaft**

1991-1990 (ZF S6 65)	
Seal .....	222510
Kwik Slv (Opt Rpr) .....	KWK99098

### **CRANKSHAFT FRONT SEAL**

#### **6 Cylinder**

1997-1992 403/6.6L (Turbo Diesel)	
Seal .....	3945
Kwik Slv (Opt Rpr) .....	KWK99233

### **CRANKSHAFT REAR SEAL**

#### **6 Cylinder**

1997-1992 403/6.6L (Turbo Diesel)	
Seal Viton .....	2261
Kwik Slv (Opt Rpr) .....	KWK99435

## ***YUGO***

### **FRONT WHEEL**

1992-1990	
Ball Bearing .....	513116[2]

### **REAR WHEEL**

1992-1990	
Ball Bearing .....	513116[2]

### **CLUTCH**

#### **Release Bearing**

1992-1990	
Bearing Only .....	FI1710C

### **5-SPEED MANUAL TRANSAXLE**

#### **Input Shaft**

1992-1990	
Seal .....	222240
Kwik Slv (Opt Rpr) .....	KWK99085

### **Output Shaft**

1992-1990	
Ball Bearing (Drive End) .....	203S
Ball Bearing (Rear End) .....	201SS
Seal .....	222510[2]
Kwik Slv (Opt Rpr) .....	KWK99098

### **ALTERNATOR**

1992-1990	
Ball Bearing (Drive End) .....	203S
1992-1990	
Ball Bearing (Rear End) .....	201SS

# **HUB TECHNOLOGY SECTION**



**TIMKEN...AT THE CENTER OF THE HUB EVOLUTION**

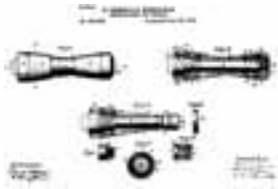
***WE DIDN'T REINVENT THE WHEEL, BUT WE DID MAKE IT BETTER.***



# MAKING THE WHEEL BETTER THROUGH INNOVATIVE DESIGN

## TIMKEN'S CONTRIBUTIONS TO HUB EVOLUTION

### ORIGINAL TAPERED ROLLER BEARING DESIGN



Look and then look again at the drawing of the original Timken tapered roller bearing. The 1898 tapered roller bearing was designed for a hub. Although not known as a hub 100 years ago, this design reflects how The

Timken Company was there at the start. Our bearing knowledge began more than 100 years ago and continues to evolve with the demands of the markets we serve.

*The St. Louis was the first automobile to use Timken tapered roller bearings. The package bearing used in the St. Louis was similar in design to the company's modern UNIPAC™ bearing.*



Timken has been at the forefront of wheel-end bearing technology since the development of the single row tapered (TS) bearing in 1924. From this knowledge of wheel-end bearings, Timken continued to develop products for original equipment (OE) customers, including the UNIPAC™ and UNIPAC-PLUS™, SENSOR-PAC™ bearings and FORMED HUB wheel-end systems. The latest addition is the FORMED HUB with the Generation III integrated bearing package used in 2002 and later Dodge Ram 1500 Series trucks.

Extensive product development keeps Timken at the center of the hub evolution for OE manufacturers. Because of this, Timken is a leader in the automotive aftermarket for hubs. Whether the hub is used with sensed or non-sensed bearings, Timken has the product for the light and medium duty aftermarkets.

As the technology evolved, there are three phases to note in the evolution to today's products. These are the development of UNIT-BEARING™, SENSOR-PAC, and FORMED HUB bearings.

### UNIT-BEARING™ AND UNIPAC™ Bearings

#### PHASE ONE: MANUAL ADJUSTMENT ELIMINATED

Introduced in 1967 for the passenger and light truck market, the UNIT-BEARING does not require manual adjustment. The bearing is manufactured with the cup and rib bonded together with an adhesive to facilitate bearing handling and installation of these wheel-end bearings.



In 1979, Timken introduced the UNIPAC bearing. It answered the need for a preset, pre-greased and pre-sealed bearing for an independently sprung driving wheel. Axially and radially compact, the UNIPAC bearing reduces vehicle weight. Close tolerances are maintained using automated techniques in manufacturing, resulting in a closely controlled setting range for the UNIPAC bearing.

HUB TECHNOLOGY



1924  
Single Row Tapered Roller (TS) Bearings designed.



1967  
UNIT-BEARING™ developed for automotive use.

1979  
First UNIPAC™ bearing sold for automotive wheel applications. Double cup with integrated mounting flange. Built on unit.

1982  
Introduction of WHEEL-PAC™ bearings for heavy duty truck applications.

1988  
New UNIPAC-PLUS™ bearing extends the capabilities of the UNIPAC bearing to include elements of the hub function.

1990  
PINION-PAC™ automotive driveline system introduced. A preset, pre-sealed tapered roller bearing unit that speeds axle assembly and improves performance.

1992  
SENSOR-PAC™ bearing introduced for use with anti-lock braking systems.

1995  
SENSOR-PAC™ bearing used on GM 4x4 Pickup 1500, Suburban, Tahoe and Yukon and Ford 4x4 Explorer and Mountaineer.



1997  
Formed Hub wheel-end system program begins. With formed hubs, conventional parts like washers, spacers and nuts are eliminated.

In the 1980s Timken brought the UNIPAC-PLUS bearing to market. The UNIPAC-PLUS bearing extended the capabilities of the UNIPAC bearing to include elements of the hub function. This bearing is a bolt-on package which is pre-sealed, pre-lubricated and preset. Reduction in bearing size and weight are apparent.

## SENSOR-PAC™ Bearing

### PHASE TWO: SENSORED HUB TECHNOLOGY



With the introduction of the SENSOR-PAC bearing in the 1990s, Timken entered the next phase of hub technology. Now, the bearing had a sensor for automotive traction control systems. In the SENSOR-PAC bearing, the sensor is located in the flanged outer race (cup) of the bearing. It detects the rotational speed of a target wheel which is integrated within the bearing. The sensor produces an output signal proportional to wheel speed, which can be “read” by electronic traction control and anti-lock braking systems and by other vehicle systems.

The advantages of the Timken design are numerous. The sensors and target wheels are protected from water, road, chemicals and stone impact. They can be made to fit in the original wheel bearing envelopes.

SENSOR-PAC bearings eliminate the need for assembly and adjustment by vehicle manufacturers. And, they allow close control of the critical air-gap dimension between the sensor and target wheel to preserve signal integrity.

## FORMED HUB Wheel-End System

### PHASE THREE: INTEGRATED BEARING PACKAGES



When Timken began the FORMED HUB wheel-end system program in 1997, it was the start of integrating the bearing and hub. The FORMED HUB can incorporate a SENSOR-PAC or UNIPAC-PLUS bearing into the design. By integrating the bearing with a wheel hub and designing them together as a system, Timken has minimized the weight, space and tolerances of the assembly. This reduces the weight of the vehicle and improves braking performance.

FORMED HUB is a single integrated unit that can be bolted directly onto passenger car or light truck wheel corners, eliminating the need for conventional components like washers, spacers and nuts. FORMED HUB holds bearing setting more consistently, because, unlike a traditional thread and nut design, there is no chance for the nut to loosen and back off. In 2001, Timken expanded the program to incorporate an integrated wheel end system using the FORMED HUB. This addition allows a four wheel drive system to disconnect from the front wheels during normal driving, improving fuel economy.

## THE TIMKEN QUALITY STORY

For more than a century, the familiar Timken brand has delivered unsurpassed quality and reliability. Now Timken brings the market a comprehensive line of hub components. Timken's hub offering is a complete line of aftermarket products, backed by a trusted global brand and the logistics, customer service and technical support only Timken can deliver.



1998

SENSOR-PAC™ bearing used on Dodge 4X4 Ram Pickup.

1999

UNIT-BEARING™ introduced for rear disc brake vehicles.

2000

Generation III integrated bearing package developed. Features active and passive sensing technology in a self-retained, integrated package bearing.

2001

Generation III integrated bearing package in the 2002 Dodge Ram 1500 Series.

2001

Launched integrated wheel-end system using FORMED HUB.

2002

Timken introduces Generation II bearings. It is a Timken package bearing with a flange that can include a SENSOR-PAC bearing or UNIPAC-PLUS bearing.

2002

Generation II hub and bearing package in rear steer for GM light trucks.

2003

Generation II hub and bearing packages in Ford Expedition.

# HUB ASSEMBLY

## CROSS REFERENCE



## HUB ASSEMBLY CROSS REFERENCE

SKF #	Timken	SKF #	Timken	SKF #	Timken
BR930000	518500	BR930060	513104	BR930119	512119
BR930001	518501	BR930061	513059	BR930120	512122
BR930002	518502	BR930063	512156	BR930121	513080
BR930003	513077	BR930064	513061	BR930122	512031
BR930004	513076	BR930065	513085	BR930123	512008
BR930007	513070	BR930066	512157	BR930124	513081
BR930007	513078	BR930067	512156	BR930126	512032
BR930008	513082	BR930068	513062	BR930127	512034
BR930010	513033	BR930069	512155	BR930128	513034
BR930012	512026	BR930070	512001	BR930129	512020
BR930013	513075	BR930071	512179	BR930130	512016
BR930014	513084	BR930072	513063	BR930132	512016
BR930016	513003	BR930073	512005	BR930134	512025
BR930017	512037	BR930074	512003	BR930136	512172
BR930021	513074	BR930075	512150	BR930138	513138
BR930021K	513074	BR930075	512237	BR930141	512118
BR930022	513016K	BR930075	HA590073	BR930142	512026
BR930022K	513016K	BR930076	513087	BR930143	513152
BR930023	513019	BR930077	513088	BR930144	HA590309
BR930024	513020	BR930078	512078	BR930144	HA593247
BR930025	513049	BR930079	512144	BR930145	512151
BR930026	513018	BR930080	513137	BR930148	513121
BR930027	513048	BR930081	512223	BR930149	513179
BR930028K	513017K	BR930082	513044	BR930150	512024
BR930030	513039	BR930083	513044	BR930151K	520000
BR930032	513050	BR930083K	513044	BR930152K	520100
BR930033	513035	BR930087	513042	BR930153K	518503
BR930034K	513004K	BR930089	512002	BR930154K	518504
BR930035	515002	BR930091	513011K	BR930155K	HA590155K
BR930037	512011	BR930091K	513011K	BR930156K	HA590156K
BR930038	512010	BR930092	512003	BR930158	513202
BR930040	513107	BR930093	513012	BR930159	512180
BR930041	513131	BR930094	515001	BR930160	HA590160
BR930043	513030	BR930096	512004	BR930161	513125
BR930044	513111	BR930097	513124	BR930162	513096
BR930045	513109	BR930098	512152	BR930163	513094
BR930046	513094	BR930099	513139	BR930164	HA592519
BR930047	513092	BR930100	513127	BR930165	512200
BR930048	513092	BR930102	HA590102	BR930166K	518505
BR930049	513041	BR930103	512147	BR930167	512176
BR930050	513095	BR930105	512107	BR930168	513202
BR930050	513111	BR930106	512106	BR930169	HA596467
BR930051	513094	BR930106	512163	BR930170	512039
BR930052	513013	BR930107	512107	BR930171	512181
BR930052K	513013	BR930108	512012	BR930172	512136
BR930053	512000	BR930113	513105	BR930172	HA590306
BR930054	513128	BR930114	513131	BR930173	512167
BR930055K	HA590055K	BR930115	512182	BR930174	512120
BR930056K	HA590056K	BR930116	515000	BR930175	512027
BR930057	HA590057	BR930117	513030	BR930176	512133
BR930059	512033	BR930118	512118	BR930178	512124
BR930179	513100	BR930233	512186	BR930300K	518507
BR930181K	HA590181K	BR930234	512177	BR930301K	HA590301K
BR930182K	HA590182K	BR930235	512173	BR930302K	HA590302K
BR930183	512022	BR930236	515031	BR930303K	HA590303K
BR930184	513160	BR930237	513155	BR930304	SP550304
BR930185	512123	BR930240	HA590240	BR930305	SP550102
BR930186	513090	BR930241K	HA590241K	BR930306	513196
BR930188	512030	BR930242	HA597957	BR930307	HA590307



## HUB ASSEMBLY CROSS REFERENCE *continued*

SKF #	Timken	SKF #	Timken	SKF #	Timken
BR930189	512029	BR930243	512161	BR930308	513193
BR930190K	513089	BR930245	HA595894	BR930309	512216
BR930191	512006	BR930246	513156	BR930311	512238
BR930192	513072	BR930247K	HA594460K	BR930313	HA590077
BR930193	512125	BR930248	HA590248	BR930315	HA590069
BR930194	512154	BR930249	HA594181	BR930316	HA590068
BR930195	512021	BR930250	513115	BR930317	HA590070
BR930196	512023	BR930252	SP450200	BR930318	SP550200
BR930197	HA590197	BR930253	512191	BR930323	513190
BR930198	512153	BR930254	512174	BR930324	512217
BR930199	512220	BR930255	512175	BR930325	HA599467
BR930200K	518506	BR930256	515006	BR930326	513189
BR930201	512009	BR930257	HA590257	BR930327	512229
BR930202	512137	BR930258	512040	BR930328	512230
BR930203	HA590203	BR930259K	HA590259K	BR930329	512218
BR930204	SP450101	BR930261	513142	BR930335	HA598679
BR930205	SP450100	BR930263K	HA590263K	BR930336	512018
BR930206	512013	BR930265	515005	BR930337	512184
BR930207	HA599361	BR930266	HA592450	BR930337	512019
BR930208	SP550201	BR930267	HA592460	BR930341	515026
BR930209	SP550308	BR930268	512185	BR930342	515027
BR930209	SP580308	BR930270	512160	BR930343	SP450201
BR930210	512235	BR930271	512148	BR930344	515014
BR930211	512036	BR930273	512160	BR930346	SP550307
BR930212	512036	BR930274	HA590272	BR930346	SP580307
BR930213	HA590213	BR930275	512026	BR930349	HA590308
BR930214	513157	BR930276	512178	BR930350	513132
BR930215	513123	BR930277	513194	BR930352	HA590352
BR930216	513122	BR930278	512163	BR930353	HA590353
BR930218	515017	BR930278	512169	BR930354	513133
BR930219	HA597449	BR930279	512170	BR930355	HA590208
BR930220	513135	BR930280	512193	BR930356	HA590209
BR930222	512162	BR930281	512192	BR930358	HA592410
BR930223	512149	BR930282	512190	BR930359	HA590030
BR930224	HA599455L	BR930284	HA500100	BR930360	HA599406
BR930225	HA599455R	BR930285	SP500100	BR930361	HA599528
BR930226	513126	BR930290	512187	BR930363	HA590078
BR930227	512145	BR930293	HA593550	BR930364	HA590067
BR930228	512232	BR930295	HA594504	BR930365	HA590066
BR930229	512121	BR930296	HA594241	BR930369	HA590080
BR930230	512168	BR930297	HA594504	BR930389	HA590389
BR930231	512171	BR930298	512222	BR930390	HA590644
BR930232	HA596030	BR930299	512239	BR930391	HA590653
BR930395	513191	BR930397	513188	BR930400	HA590020
BR930404	SP580303	BR930405	HA597851	BR930406	SP580301
BR930406	SP580300	BR930406	HA591339	BR930406	SP580302
BR930406	SP580303	BR930406	SP580302	BR930407	SP580101
BR930408	SP580100	BR930409	HA599863	BR930410	SP550100
BR930415	SP550101	BR930417	SP550305	BR930418	515022
BR930419	515030	BR930420	515020	BR930421	515025
BR930422	515028	BR930423	515029	BR930424	515021
BR930425	HA590425	BR930452	SP450202	BR930456	SP470200
BR930513	HA590033	BR930515	HA590034	FW142	513093
FW156	513098	FW158	513099	FW160	513152
FW182	513135	FW184	510038	FWB29	513077
FWB30	513076	FWK5	518500	FWK6	518501
FWK7	518502	GRW100	512038	GRW140	513156
GRW143	513142	GRW160	512014	GRW168	512009
GRW176	512181	GRW195	513070	GRW233	511012
GRW241	512183	GRW271	HA594246		

## HUB ASSEMBLY CROSS REFERENCE *continued*

FM #	Timken	FM #	Timken	FM #	Timken
510038	510038	512123	512123	512194	512194
511010	511010	512124	512124	512195	512195
511011	511011	512125	512125	512196	512196
511012	511012	512133	512133	512197	512197
511030	511030	512136	512136	512198	512198
512000	512000	512136	HA590306	512199	512199
512001	512001	512137	512137	512200	512200
512002	512002	512144	512144	512201	512201
512003	512003	512145	512145	512202	512202
512003	512003	512147	512147	512203	512203
512004	512004	512148	512148	512204	512204
512005	512005	512149	512149	512205	512211
512006	512006	512150	512150	512205	HA591050
512007	512007	512151	512151	512206	HA592460
512008	512008	512152	512152	512207	HA592450
512009	512009	512153	512153	512208	HA596030
512009	512009	512154	512154	512209	HA594245
512010	512010	512155	512155	512210	HA592410
512011	512011	512156	512156	512211	512211
512012	512012	512156	512156	512211	HA594301
512013	512013	512157	512157	512212	512214
512014	512014	512158	512158	512212	HA594504
512016	512016	512159	512159	512212	HA594504
512016	512016	512160	512160	512213	HA594241
512017	512017	512160	512160	512215	512215
512018	512018	512161	512161	512216	512216
512020	512020	512162	512162	512217	512217
512021	512021	512163	512163	512218	512218
512022	512022	512163	512163	512219	512219
512023	512023	512164	512164	512219	HA590057
512024	512024	512165	512165	512221	512221
512025	512025	512167	512167	512222	512222
512026	512026	512168	512168	512223	512223
512026	512026	512169	512169	512225	512225
512026	512026	512170	512170	512226	512226
512027	512027	512171	512171	512226	HA590494
512029	512029	512172	512172	512227	HA594246
512030	512030	512173	512173	512228	HA590050
512031	512031	512174	512174	512229	512229
512032	512032	512175	512175	512230	512230
512033	512033	512176	512176	512231	512231
512034	512034	512177	512177	512232	512232
512036	512036	512178	512178	512233	HA590389
512036	512036	512179	512179	512234	512234
512037	512037	512180	512180	512235	512235
512038	512038	512181	512181	512236	512236
512039	512039	512181	512181	512237	512237
512040	512040	512182	512182	512238	512238
512041	512041	512183	512183	512239	512239
512078	512078	512184	512184	512240	HA592210
512106	512106	512185	512185	512241	HA590160
512107	512107	512186	512186	512242	512242
512107	512107	512187	512187	512243	HA590079
512118	512118	512188	512188	512244	HA590073
512118	512118	512189	512189	512245	HA590074
512119	512119	512190	512190	512246	HA590091
512120	512120	512191	512191	512247	HA590066
512121	512121	512192	512192	512248	HA590067
512122	512122	512193	512193	512249	HA590082

## HUB ASSEMBLY CROSS REFERENCE *continued*

FM #	Timken	FM #	Timken	FM #	Timken
512249	HA590083	513090	513090	513170	HA590056K
512250	HA590088	513092	513092	513171	HA592519
512252	HA590257	513092	513092	513172	HA593427
512254	HA597957	513093	513093	513173	513173
512258	HA590009	513094	513094	513174	HA594181
512259	HA590005	513094	513094	513174	HA595894
512264	HA590008	513094	513094	513175	513175
512269	HA590272	513095	513095	513176	HA599455L
512281	HA591080	513096	513096	513177	HA599455R
512285	HA590080	513098	513098	513178	513178
512286	HA590010	513099	513099	513178	HA599467
512287	HA590081	513100	513100	513179	513179
512288	HA590209	513104	513104	513186	513186
513003	513003	513105	513105	513187	513187
513012	513012	513107	513107	513188	513188
513013	513013	513109	513109	513189	513189
513013	513013	513111	513111	513190	513190
513018	513018	513111	513111	513191	513191
513019	513019	513115	513115	513192	513192
513020	513020	513121	513121	513193	513193
513030	513030	513122	513122	513194	513194
513030	513030	513123	513123	513195	HA590241K
513033	513033	513123	HA590248	513196	513196
513034	513034	513124	513124	513197	HA590077
513034	513034	513125	513125	513198	HA590078
513035	513035	513125	HA590309	513199	HA590075
513035	513035	513126	513126	513200	SP450300
513039	513039	513127	513127	513201	HA590208
513041	513041	513128	513128	513202	513202
513042	513042	513131	513131	513202	513202
513044	513044	513131	513131	513203	HA590076
513044	513044	513132	513132	513203	HA590085
513044	513044	513133	513133	513204	HA590068
513048	513048	513135	513135	513205	HA590069
513049	513049	513135	513135	513206	HA590086
513050	513050	513135	HA590240	513214	HA590070
513059	513059	513137	513137	513215	HA590071
513061	513061	513138	513138	513217	HA590007
513062	513062	513139	513139	513218	HA590006
513063	513063	513142	513142	515000	515000
513070	513070	513142	513142	515001	515001
513070	513070	513152	513152	515002	515002
513072	513072	513152	513152	515003	515003
513074	513074	513155	513155	515003	SP450200
513074	513074	513156	513156	515004	515004
513075	513075	513156	513156	515004	SP550201
513076	513076	513157	513157	515005	515005
513076	513076	513158	HA597449	515006	515006
513077	513077	513159	HA598679	515007	515007
513077	513077	513160	513160	515007	HA599361
513078	513078	513161	513161	515008	515008
513080	513080	513162	513162	515008	SP450101
513081	513081	513162	HA595017	515009	515009
513082	513082	513163	HA593550	515009	SP450100
513084	513084	513164	HA596467	515010	SP550200
513085	513085	513165	513165	515011	HA597851
513087	513087	513166	513166	515012	HA590020
513088	513088	513167	HA590213	515013	SP450201
513089	513089	513169	513169	515014	515014

## HUB ASSEMBLY CROSS REFERENCE *continued*

FM #	Timken	FM #	Timken
515015	SP580301	520000	520000
515016	SP580300	520100	520100
515017	515017	521002	HA590259K
515018	HA591339	512019	512019
515019	SP550308	512220	512220
515019	SP580308	513004K	513004K
515020	515020	513011K	513011K
515021	515021	513011K	513011K
515022	515022	513016K	513016K
515023	SP550100	513016K	513016K
515024	SP550307	513017K	513017K
515024	SP580307	513165	HA590653
515025	515025	513166	HA590644
515026	515026	513168	HA590224
515027	515027	513169	HA590225
515028	515028		
515029	515029		
515030	515030		
515031	515031		
515032	HA599528		
515033	HA599406		
515034	SP580101		
515035	SP580100		
515036	SP550304		
515038	HA599863		
515039	SP550102		
515040	515040		
515040	HA596060		
515041	SP580302		
515041	SP580303		
515044	HA590307		
515048	SP580302		
515049	SP550101		
515050	SP470200		
515052	SP450202		
515053	SP550305		
515054	SP550306		
515055	SP580303		
515058	SP580304		
515059	HA590352		
515060	HA590353		
518500	518500		
518500	518500		
518501	518501		
518501	518501		
518502	518502		
518502	518502		
518503	518503		
518504	518504		
518505	518505		
518506	518506		
518507	518507		
518508	HA590303K		
518509	HA590302K		
518510	HA590263K		
518511	HA590181K		
518512	HA590182K		
518513	HA590155K		
518514	HA590156K		



# HUB ASSEMBLY

## *BUYER'S GUIDE*



## HUB BUYER'S GUIDE

Part No.	On Hand	Pop	Qty	Application
<b>BEARING</b>				
SP450100			1	FRONT WHEEL-4WD/AWD DOD LT TK (1997-04)
SP450101			1	FRONT WHEEL-4WD/AWD DOD LT TK (1997-04)
SP450104		N	2	FRONT WHEEL-4WD/AWD FORD TK (1999-99)
SP450200			1	FRONT WHEEL-4WD/AWD FORD LT TK (1995-02), LINC (2003-04), MERC (1997-01)
SP450201			1	FRONT WHEEL-4WD/AWD FORD LT TK (2000-02), MAZDA (2000-02)
SP450202		N	1	FRONT WHEEL-4WD/AWD FORD LT TK (2003-05)
SP450203		N	1	FRONT WHEEL-4WD/AWD FORD LT TK (2003-05)
SP450300			1	FRONT WHEEL-2WD CHEV LT (1998-04)
SP450301		N	1	FRONT WHEEL-2WD ( 2 0 0 5 - 0 5 ) , CHEV LT (2005-05)
SP450701		N	1	FRONT WHEEL-4WD/AWD NISSAN (2005-06)
SP450702		N	1	FRONT WHEEL-2WD NISSAN (2005-06)
SP470200		N	1	FRONT WHEEL-2WD FORD LT TK (2002-05), MERC (2002-05), FRONT WHEEL-4WD/AWD FORD LT TK (2002-05), MERC (2002-05)
HA500100			1	FRONT WHEEL-2WD DOD LT TK (2002-05), FRONT WHEEL-4WD/AWD DOD LT TK (2002-05)
SP500100			1	FRONT WHEEL-2WD DOD LT TK (2002-05), FRONT WHEEL-4WD/AWD DOD LT TK (2002-05)
HA500601		N	1	FRONT WHEEL ROV (2005-05)
HA500701		N	1	REAR WHEEL NISSAN (2005-05)
SP500701		N	1	FRONT WHEEL INFINS (2004-06), FRONT WHEEL-2 WD NISSAN (2004-06), FRONT WHEEL -4W D/AW D NISSAN (2004-06)
SP500702		N	1	REAR WHEEL INFINS (2004-06), NISSAN (2004-05)
512000		D	1	REAR WHEEL SAT (1991-02)
512001		B	1	REAR WHEEL BUICK (1991-98), CHEV (1992-05), OLDS (1985-98), PONT (1991-05)
512002			1	REAR WHEEL SAT (1991-02)
512003			1	REAR WHEEL BUICK (1991-05), CAD (1991-05), CHEV (1997-00), OLDS (1991-03), PONT (1999-05)
512004		D	1	REAR WHEEL BUICK (1992-96), CHEV (1992-96), OLDS (1992-96), PONT (1992-96)
512005		O	1	REAR WHEEL CAD (1990-93)
512006			1	REAR WHEEL CAD (1993-02)
512008			1	REAR WHEEL ACURA (1991-95)
512009		IW	1	REAR WHEEL LEXUS (1992-01), TOY (1987-06)
512010		W	1	REAR WHEEL EAGLE (1990-94), MITS (1990-96), PLY (1990-94)
512011		W	1	REAR WHEEL EAGLE (1990-94), MITS (1989-96), PLY (1990-94)
512012			1	REAR WHEEL AUDI (2000-04), VW (1998-04)
512013			1	REAR WHEEL Dodge (1998-99), PLY (1998-99)
512014			1	REAR WHEEL NISSAN (1989-98)
512016		IW	1	REAR WHEEL NISSAN (1990-01)
512017			1	REAR WHEEL PEUG (1989-92)
512018		D	1	REAR WHEEL CHEV (1998-02), GEO (1993-97), TOY (1993-02)
512019		O	1	REAR WHEEL GEO (1993-95), TOY (1993-95)
512020			1	REAR WHEEL HONDA (1994-97)
512021			1	REAR WHEEL Dodge (1995-97), PLY (1995-95)
512022			1	REAR WHEEL HONDA (1992-96)
512023			1	REAR WHEEL Dodge (1995-97), PLY (1995-97)
512024			1	REAR WHEEL FORD (1995-00), MERC (1995-02)
512025		IW	1	REAR WHEEL NISSAN (1991-99)
512026			1	REAR WHEEL HYUN (1992-98)
512027			1	REAR WHEEL HYUN (1995-96)
512029			1	REAR WHEEL CHRY (1993-04), Dodge (1993-04), EAGLE (1993-98)

Part No.	On Hand	Pop	Qty	Application
<b>BEARING CONTINUED</b>				
512030			1	REAR WHEEL Dodge (1993-97), EAGLE (1993-98)
512031			1	REAR WHEEL ACURA (1992-94)
512032			1	REAR WHEEL ACURA (1997-99), HONDA (1991-93)
512033			1	REAR WHEEL DODGE (1993-96), EAGLE (1993-96), PLY (1993-94)
512034		S	1	REAR WHEEL ACURA (1994-99), HONDA (1992-00)
512036			1	REAR WHEEL SUB (1990-97)
512037			1	REAR WHEEL EAGLE (1991-92)
512038			1	REAR WHEEL TOY (1996-00)
512039			1	REAR WHEEL DODGE (1992-96), MITS (1991-98)
512040			1	REAR WHEEL EAGLE (1992-96), PLY (1992-94)
512041			1	REAR WHEEL TOY (1998-03)
512078		W	1	REAR WHEEL BUICK (1994-96), CHEV LT (1992-05), OLDS (1992-04), PONT (1992-04)
512105		O	1	REAR WHEEL FORD (1990-92), LINC (1990-92), MERC (1990-92)
512106		W	1	REAR WHEEL FORD (1990-00), MERC (1990-00)
512107		D	1	REAR WHEEL FORD (1993-04), LINC (1993-02), MERC (1993-04)
512118			1	FRONT WHEEL MAZDA (1993-95), REAR WHEEL FORD (1993-97), MAZDAQ (1993-00)
512119			1	REAR WHEEL FORD (1993-97), MAZDAQ (1993-02)
512120			1	REAR WHEEL ACURA (1995-98)
512121			1	REAR WHEEL ACURA (1996-98)
512122			1	REAR WHEEL HONDA (1991-97)
512123			1	REAR WHEEL ACURA (1996-05), HONDA (1998-98)
512124			1	REAR WHEEL HONDA (1995-97), ISUZU (1996-99)
512125			1	REAR WHEEL-4WD/AWD CHRY (1991-95), DODGE (1991-95), PLY (1991-95)
512133			1	REAR WHEEL CHRY (1995-97), Dodge (1995-97), PLY (1996-97)
512136			1	REAR WHEEL CHRY (1996-05), Dodge (1995-05), EAGLE (1995-98), MITS (1995-05)
512137			1	REAR WHEEL TOY (1994-99)
512144			1	REAR WHEEL HONDA (1997-01)
512145			1	REAR WHEEL SAAB (1994-04)
512146		O	1	REAR WHEEL SAAB (1990-98)
512147			1	REAR WHEEL SAAB (1982-87)
512148			1	REAR WHEEL DODGE (1993-96), EAGLE (1993-96), MITS (1993-02), PLY (1993-94)
512149			1	REAR WHEEL FORD LT TK (1997-03)
512150			1	REAR WHEEL BUICK (1997-03), CHEV LT (1997-05), OLDS (1998-02), PONT (1997-05)
512151			1	REAR WHEEL BUICK (1996-03), CHEV (1997-01), OLDS (1997-97)
512152			1	REAR WHEEL CHEV (2001-05), OLDS (1999-04), PONT (1999-05)
512153			1	REAR WHEEL CAD (2004-06), CHEV (1997-06)
512154			1	REAR WHEEL CHRY (1995-06), Dodge (1995-06), PLY (1996-00)
512155			1	REAR WHEEL CHRY (1996-00), DODGE (1996-00), PLY (1996-00)
512156			1	REAR WHEEL CHRY (1996-00), DODGE (1996-00), PLY (1996-00)
512157			1	REAR WHEEL CHRY (1997-00), REAR WHEEL -4W D/AW D CHRY (1996-04), DODGE (1996-04), PLY (1996-00)
512158			1	REAR WHEEL EAGLE (1991-93), MITS (1989-93)
512159			1	REAR WHEEL DAEW (1999-02)
512160			1	REAR WHEEL HYUN (1996-01)

# HUB BUYER'S GUIDE *continued*

Part No.	On Hand	Pop	Qty	Application
<b>BEARING CONTINUED</b>				
512161			1	REAR WHEEL FORD (1994-03), MAZDAQ (1992-00), MERC (1994-99)
512162			1	REAR WHEEL FORD (2000-00), MERC (2000-00)
512163			1	REAR WHEEL FORD (2001-05), MERC (2001-05)
512164			1	REAR WHEEL FORD (2001-05), MERC (2001-05)
512165			1	REAR WHEEL HYUN (1997-99)
512167			1	REAR WHEEL CHRY (2001-05), Dodge (2000-05), PLY (2000-01)
512168			1	REAR WHEEL CHRY (2001-02)
512169			1	REAR WHEEL CHRY (2001-06), DODGE (2001-05), REAR WHEEL-4WD/AWD CHRY (2005-06), DODGE (2005-06)
512170			1	REAR WHEEL CHRY (2001-06), DODGE (2001-05)
512171			1	REAR WHEEL GEO (1990-93), ISUZU (1990-93)
512172			1	REAR WHEEL HONDA (1994-97)
512173			1	REAR WHEEL ACURA (2001-03)
512174			1	REAR WHEEL HONDA (2001-05)
512175			1	REAR WHEEL HONDA (2001-05)
512176			1	REAR WHEEL HONDA (1998-02)
512177			1	REAR WHEEL HONDA (1998-02)
512178			1	REAR WHEEL HONDA (1998-02)
512179			1	REAR WHEEL ACURA (1999-05), HONDA (1998-02)
512180			1	REAR WHEEL HONDA (1999-04)
512181			1	REAR WHEEL EAGLE (1995-98), MITS (1995-05)
512182			1	REAR WHEEL SUZ (1989-94)
512183			1	REAR WHEEL SUB (2000-06)
512184		N	1	REAR WHEEL CHEV (1998-02), GEO (1996-97), TOY (1996-02)
512185			1	REAR WHEEL MITS (1997-02)
512186			1	REAR WHEEL MAZDAQ (1998-02)
512187			1	REAR WHEEL AUDI (1998-04), VW (1998-04)
512188		N	1	REAR WHEEL HONDA (2003-05)
512189		N	1	REAR WHEEL HYUN (2001-05)
512190		N	1	REAR WHEEL HYUN (1999-05), KIA (2001-04)
512191		N	1	REAR WHEEL HYUN (1999-05), KIA (2001-04)
512192		N	1	REAR WHEEL HYUN (2000-05)
512193		N	1	REAR WHEEL HYUN (2000-05)
512194		N	1	REAR WHEEL HYUN (2001-05), KIA (2004-04)
512195		N	1	REAR WHEEL HYUN (2001-05), KIA (2004-04)
512196		N	1	REAR WHEEL HYUN (2001-04)
512197		N	1	REAR WHEEL HYUN (2001-04)
512198		N	1	REAR WHEEL HYUN (2003-05)
512199		N	1	REAR WHEEL HYUN (2003-05)
512200		N	1	REAR WHEEL KIA (1994-04)
512201		N	1	REAR WHEEL NISSAN (2002-06)
512202			1	REAR WHEEL NISSAN (2002-06)
512203		N	1	REAR WHEEL INFIN (2000-04), NISSAN (2000-03)
512204		N	1	REAR WHEEL CHEV (1998-01), GEO (1995-97), SUZ (1995-01)
512215		N	1	REAR WHEEL TOY (2003-05)
512216		N	1	REAR WHEEL TOY (2000-05)
512217		N	1	REAR WHEEL PONT (2003-06), TOY (2003-06)
512218		N	1	REAR WHEEL PONT (2003-06), TOY (2003-06)
512220		N	1	REAR WHEEL CHRY (1998-06), Dodge (1998-06), PLY (1998-00)
512221		N	1	REAR WHEEL ( 2003-05 ), BUICK (2004-05), CHEV (2000-05), PONT (2003-03)
512222		N	1	REAR WHEEL BUICK SUV (2002-06)
512223		N	1	REAR WHEEL CAD (2003-06)
512225		N	1	REAR WHEEL BMW5 (1997-03)

Part No.	On Hand	Pop	Qty	Application
<b>BEARING CONTINUED</b>				
512229		N	1	REAR WHEEL CHEV LT (2005-06), SATURN SUV (2002-06), REAR WHEEL -4W D/AW D CHEV LT (2005-06), SATURN SUV (2002-06)
512230		N	1	REAR WHEEL CHEV LT (2005-06), SATURN SUV (2002-06), REAR WHEEL -4W D/AW D SATURN SUV (2002-06)
512231		N	1	REAR WHEEL AUDI (2002-04)
512232		N	1	REAR WHEEL SAAB (1999-04)
512234		N	1	REAR WHEEL VOLVO (1994-98)
512235		N	1	REAR WHEEL MITS (1994-96)
512236		N	1	REAR WHEEL BUICK SUV (2003-06)
512237		N	1	REAR WHEEL ( 2001 - 05 ), BUICK (2003-05), CHEV (2000-05), PONT (2003-03)
512238		N	1	REAR WHEEL SAT (2000-04)
512239		N	1	REAR WHEEL SAT (2000-04)
512242		N	2	REAR WHEEL HONDA (1992-96)
513003			1	REAR WHEEL BUICK (1982-89), CHEV (1982-89), OLDS (1980-89), PONT (1982-89)
513004K		D	1	FRONT WHEEL BUICK (1982-84), CAD (1982-84), CHEV (1982-84), OLDS (1982-84), PONT (1982-84)
513010		O	1	REAR WHEEL BUICK (1979-85), OLDS (1979-85)
513011K		D	1	FRONT WHEEL BUICK (1980-89), CHEV (1980-89), OLDS (1980-89), PONT (1980-89), REAR WHEEL PONT (1984-88)
513012		D	1	REAR WHEEL BUICK (1980-91), CAD (1982-88), CHEV (1980-05), OLDS (1982-91), PONT (1980-05)
513013		D	1	FRONT WHEEL BUICK (1979-85), CAD (1979-85), OLDS (1979-85), FRONT WHEEL -4W D/AW D CHEV LT (1983-93)
513016K		B	1	FRONT WHEEL BUICK (1983-93), CAD (1985-91), CHEV (1983-90), CHEV LT (1990-91), OLDS (1983-93), PONT (1983-91), REAR WHEEL PONT (1989-90)
513017K		A	1	FRONT WHEEL BUICK (1984-98), CAD (1984-88), CHEV (1984-05), OLDS (1984-98), PONT (1984-05)
513018		C	1	REAR WHEEL BUICK (1983-93), CAD (1985-93), CHEV (1983-02), CHEV LT (1990-91), OLDS (1983-94), PONT (1983-96)
513019			1	FRONT WHEEL CHEV (1984-90)
513020		W	1	REAR WHEEL CHEV (1984-96)
513030		D	1	REAR WHEEL FORD (1990-03), MAZDAQ (1990-02), MERC (1991-99), MERCEDES (1994-03)
513033		ID	1	REAR WHEEL ACURA (1990-93), HONDA (1986-91)
513034			1	REAR WHEEL HONDA (1984-84)
513035		IC	1	REAR WHEEL HONDA (1985-00)
513038		O	1	REAR WHEEL CAD (1986-86)
513039			1	REAR WHEEL PONT (1989-90)
513041		W	1	REAR WHEEL BUICK (1987-90), CAD (1987-90), OLDS (1987-90), PONT (1987-90)
513042			1	REAR WHEEL BUICK (1988-91), OLDS (1988-91), PONT (1988-91)
513044		A	1	FRONT WHEEL BUICK (1988-96), CHEV (1990-01), OLDS (1988-96), PONT (1988-96)
513049			1	REAR WHEEL ACURA (1987-90)
513050			1	REAR WHEEL ACURA (1986-89)
513059		D	1	FRONT WHEEL BUICK (1989-91), CAD (1989-92), OLDS (1989-91)
513061		C	1	FRONT WHEEL-4WD/AWD CHEV LT (1991-97), OLDS (1991-96)
513062		W	1	REAR WHEEL BUICK (1991-99), CAD, (1991-93), OLDS (1991-99), PONT (1991-99)
513063			1	FRONT WHEEL CAD (1990-93)
513070		W	1	REAR WHEEL Dodge (1990-91), EAGLE (1988-92)
513072			1	REAR WHEEL Dodge (1991-92), EAGLE (1990-92)

## HUB BUYER'S GUIDE *continued*

Part No.	On Hand	Pop	Qty	Application
<b>BEARING CONTINUED</b>				
513074		C	1	FRONT WHEEL CHRY (1990-95), DODGE (1989-95), PLY (1989-95)
513075		B	1	FRONT WHEEL CHRY (1989-95), DODGE (1991-95), Dodge (1989-95), PLY (1991-95)
513076			1	FRONT WHEEL FORD (1989-90), MERC (1989-90)
513077		W	1	FRONT WHEEL FORD (1989-90), MERC (1989-90)
513080		ID	1	REAR WHEEL HONDA (1990-97)
513081		W	1	REAR WHEEL HONDA (1990-93)
513082		D	1	FRONT WHEEL-4WD/AWD DOD LT TK (1987-90)
513084		C	1	FRONT WHEEL-2WD JEEP (1989-99), FRONT WHEEL -4W D/AW D JEEP (1990-99), REAR WHEEL MAZDA (2000-02)
513085			1	FRONT WHEEL CHEV (1991-96)
513087		B	1	FRONT WHEEL BUICK (1992-99), CAD (1992-96), CHEV LT (1992-96), OLDS (1992-99), PONT (1992-99)
513088		D	1	FRONT WHEEL BUICK (1992-92), CAD (1992-93), OLDS (1992-93), PONT (1992-92)
513089		C	1	FRONT WHEEL CHRY (1993-04), Dodge (1993-04), EAGLE (1993-97), REAR WHEEL CHRY (2002-02), PLY (1997-01)
513090		W	1	FRONT WHEEL CHEV (1993-02), PONT (1993-02)
513092		D	1	FRONT WHEEL FORD (1991-97), LINC (1993-98), MERC (1991-97)
513093		IW	1	FRONT WHEEL ACURA (1992-94)
513094			1	FRONT WHEEL BMW3 (1988-91), BMW (1982-88), BMW6 (1983-89), BMW7(1986-87)
513096			1	FRONT WHEEL BMW5 (1989-93), BMW7(1987-91), BMW8 (1991-92)
513098		IA	1	FRONT WHEEL ACURA (1997-99), HONDA (1990-97)
513099			2	FRONT WHEEL ACURA (1991-05)
513100		A	1	FRONT WHEEL FORD (1996-05), LINC (1995-02), MERC (1996-05)
513104		C	1	FRONT WHEEL FORD (1992-97), LINC (1992-97), MERC (1992-97)
513105		IW	1	REAR WHEEL ACURA (1990-01), HONDA (1992-00)
513107		B	1	FRONT WHEEL-4WD/AWD JEEP (1984-89)
513109			1	FRONT WHEEL DODGE (1992-95), FRONT WHEEL -4W D/AW D DOD LT TK (1990-96), REAR WHEEL DODGE (1992-95)
513111		ID	1	FRONT WHEEL BMW3 (1984-91)
513115		W	1	FRONT WHEEL FORD (1994-04)
513121			1	FRONT WHEEL BUICK (1997-02), CAD (1997-01), CHEV (2000-01), CHEV LT (1997-01), OLDS (1996-01), PONT (1997-01), REAR WHEEL CHEV LT (2002-04), OLDS (2002-04), REAR WHEEL-4WD/AWD (2001-05), BUICK SUV (2002-06), PONT (2002-04)
513122			1	FRONT WHEEL CHRY (1996-00), DODGE (1996-00), PLY (1996-00)
513123			1	FRONT WHEEL CHRY (1996-06), DODGE (1996-06), PLY (1996-01)
513124		W	1	FRONT WHEEL OLDS (1997-01), FRONT WHEEL -4W D/AW D CHEV LT (1997-04), ISUZU (1998-00), OLDS (1997-01)
513125			1	FRONT WHEEL BMW5 (1991-95), BMW7(1992-94), BMW8 (1992-97)
513126			1	FRONT WHEEL SAAB (1990-98)
513127			1	FRONT WHEEL SAAB (1986-89)
513128			1	FRONT WHEEL VOLVO (1988-95)
513131			1	FRONT WHEEL MAZDA (1992-96), FRONT WHE EL-2 WD MAZDA (1989-98), REAR WHEEL MAZDAQ (2001-02)
513132			1	FRONT WHEEL DODGE (1996-05), REAR WHEEL DODGE (1996-05)
513133			1	FRONT WHEEL DODGE (1991-96), MITS (1991-05)

Part No.	On Hand	Pop	Qty	Application
<b>BEARING CONTINUED</b>				
513135			1	FRONT WHEEL MITS (1997-03)
513137			1	FRONT WHEEL CHEV (1997-03), OLDS (1997-04), PONT (1999-05)
513138			1	FRONT WHEEL CHRY (1995-06), Dodge (1995-05), PLY (1996-00), REAR WHEEL CHRY (1999-04)
513139			1	FRONT WHEEL CAD (2004-06), CHEV (1997-06)
513142			1	REAR WHEEL EAGLE (1988-89)
513152			1	FRONT WHEEL MAZDA (1990-05)
513155			1	FRONT WHEEL MAZDA (1991-05)
513156			1	FRONT WHEEL FORD LT TK (1999-03)
513157			1	FRONT WHEEL CHRY (1995-05), Dodge (1995-05), EAGLE (1995-98), MITS (1995-06)
513160			1	FRONT WHEEL BUICK (2003-05), CHEV (2000-05), CHEV LT (2003-05), PONT (2003-03)
513161			1	FRONT WHEEL HONDA (2000-05)
513173		N	1	FRONT WHEEL BMW7 (2002-04)
513175		N	1	FRONT WHEEL VOLVO (1999-04)
513179		N	1	FRONT WHEEL BUICK (2001-05), CAD (2001-05), CHEV (2000-05), CHEV LT (2001-05), OLDS (2001-04), PONT (2001-05)
513186		N	1	FRONT WHEEL CAD (2003-06), FRONT WHE EL-2 WD CAD (2005-06)
513187		N	1	FRONT WHEEL ( 2 0 0 1 - 0 5 ) , BUICK SUV (2002-06), CHEV LT (2002-04), OLDS (2002-04)
513188		N	1	FRONT WHEEL CHEV LT (2003-06), OLDS (2002-04), FRONT WHEEL-2WD BUICK SUV (2004-05), CHEV LT (2002-05), ISUZU (2003-06), FRONT WHEEL-4WD/AWD BUICK SUV (2004-05), CHEV LT (2002-05), ISUZU (2003-06), OLDS (2002-04)
513189		N	1	FRONT WHEEL CHEV LT (2005-06), SATURN SUV (2000-06)
513190		N	1	FRONT WHEEL CHEV LT (2005-06), SATURN SUV (2002-06)
513191		N	1	FRONT WHEEL SAAB (2003-04)
513192		N	1	FRONT WHEEL SAAB (2002-04)
513193		N	1	FRONT WHEEL CHEV (2001-04), SUZUKI (2001-05), FRONT WHEEL-4WD/AWD CHEV (2001-04), SUZUKI (2001-05)
513194		N	1	FRONT WHEEL VOLVO (1999-04)
513196		N	1	FRONT WHEEL FORD (2003-05), LINC (2003-06), MERC (2003-05)
513202			1	FRONT WHEEL FORD (1997-02), LINC (1997-02), MERC (1997-02)
515000		D	1	FRONT WHEEL-4WD/AWD FORD LT TK (1990-97)
515001		C	1	FRONT WHEEL-4WD/AWD CHEV LT (1988-94), CHEV TR (1988-94)
515002		B	1	FRONT WHEEL-4WD/AWD CHEV LT (1988-91)
515005			1	FRONT WHEEL-4WD/AWD CHEV LT (1990-94)
515006		B	1	FRONT WHEEL-4WD/AWD DOD LT TK (1994-99)
515014			1	FRONT WHEEL-4WD/AWD FORD LT TK (2000-05), MAZDA (2000-04)
515017			1	FRONT WHEEL-4WD/AWD FORD TK (1997-00)
515020			1	FRONT WHEEL-4WD/AWD FORD LT TK (2000-05), FORD TK (1999-04)
515021			2	FRONT WHEEL-4WD/AWD FORD TK (1999-04)
515022			1	FRONT WHEEL-4WD/AWD FORD TK (1997-04)
515025			1	FRONT WHEEL-4WD/AWD FORD TK (1999-04)
515026			1	FRONT WHEEL-4WD/AWD FORD LT TK (1998-00), MAZDA (1998-00)
515027			1	FRONT WHEEL-4WD/AWD FORD LT TK (1998-00), MAZDA (1998-00)
515028			1	FRONT WHEEL-4WD/AWD FORD TK (2000-04)



# HUB BUYER'S GUIDE *continued*

Part No.	On Hand	Pop	Qty	Application
<b>BEARING CONTINUED</b>				
515029			1	FRONT WHEEL-4WD/AWD FORD TK (2001-04)
515030		B	1	FRONT WHEEL-4WD/AWD FORD TK (1997-04)
515031			1	FRONT WHEEL-4WD/AWD FORD LT TK (2000-05), LINC (2000-04)
518500		D	1	FRONT WHEEL CHRY (1982-83), Dodge (1979-90), PLY (1978-90)
518501		D	1	FRONT WHEEL CHRY (1984-90), DODGE (1984-90), Dodge (1984-90), PLY (1984-91)
518502		C	1	FRONT WHEEL CHRY (1984-90), DODGE (1984-90), Dodge (1984-90), PLY (1984-91)
518503		C	1	FRONT WHEEL FORD (1983-94), MERC (1983-94)
518504		W	1	FRONT WHEEL HONDA (1981-83)
518505			1	FRONT WHEEL HONDA (1986-89)
518506			1	FRONT WHEEL TOY (1983-91)
518507			1	FRONT WHEEL CHEV (1998-02), GEO (1993-97), TOY (1988-02)
520000		C	2	FRONT WHEEL FORD (1986-91), LINC (1988-91), MERC (1986-91)
520100		D	2	FRONT WHEEL FORD (1991-95), LINC (1991-94), MERC (1991-95)
SP550100			1	FRONT WHEEL-4WD/AWD DOD LT TK (1997-99)
SP550101			1	FRONT WHEEL-4WD/AWD DOD LT TK (1997-99)
SP550102			1	FRONT WHEEL-4WD/AWD DOD LT TK (2000-01)
SP550103		N	1	FRONT WHEEL-2WD DODGE TK (2003-05)
SP550200			2	FRONT WHEEL-4WD/AWD FORD TK (1997-00)
SP550201			2	FRONT WHEEL-4WD/AWD FORD LT TK (1997-00), LINC (1998-00)
SP550300		S	1	FRONT WHEEL-4WD/AWD ( 1999-00 ) , CHEV LT (1995-99), CHEV TR (1995-00)
SP550301		S	1	FRONT WHEEL-4WD/AWD ( 1999-00 ) , CHEV LT (1995-99), CHEV TR (1995-00)
SP550302		S	1	FRONT WHEEL-4WD/AWD CHEV LT (1995-02)
SP550303		S	1	FRONT WHEEL-4WD/AWD CHEV LT (1995-02)
SP550304			1	FRONT WHEEL-4WD/AWD ( 2 0 0 2 - 0 5 ) , CHEV LT (1999-06), CHEV TR (2003-06)
SP550305		N	1	FRONT WHEEL CHEV LT (2003-06), CHEV TR (2003-06), FRONT WHEEL-2WD ( 2002-04 ) , CHEV LT (2000-04)
SP550306		N	1	FRONT WHEEL-2WD CHEV LT (1999-04)
SP550309		N	1	FRONT WHEEL-2WD CHEV LT (2005-05), FRONT WHEEL -4W D/AW D CHEV LT (2003-05)
SP550310		N	1	FRONT WHEEL-2WD CHEV LT (2005-05), FRONT WHEEL -4W D/AW D CHEV LT (2003-05)
SP580100			1	FRONT WHEEL-4WD/AWD DODGE TK (1998-99)
SP580101			1	FRONT WHEEL-4WD/AWD DODGE TK (1998-99)
SP580102		N	1	FRONT WHEEL-4WD/AWD DODGE TK (1998-99)
SP580103		N	1	FRONT WHEEL-4WD/AWD DODGE TK (1998-99)
SP580300			1	FRONT WHEEL-4WD/AWD CHEV TK (1995-95), CHEV TR (1995-95)
SP580301			1	FRONT WHEEL-4WD/AWD CHEV TK (1995-95), CHEV TR (1995-95)
SP580302			1	FRONT WHEEL-4WD/AWD CHEV LT (1996-99), CHEV TK (1996-00), CHEV TR (1996-00)
SP580303			1	FRONT WHEEL-4WD/AWD CHEV LT (1996-99), CHEV TK (1996-00), CHEV TR (1996-00)
SP580304		N	1	FRONT WHEEL-4WD/AWD CHEV LT (2001-05), CHEV TK (2004-05), CHEV TR (1999-05), HUMMER (2003-06)
SP580305		N	1	FRONT WHEEL-2WD CHEV TR (2001-05)
SP580306		N	1	FRONT WHEEL-2WD CHEV LT (2001-04), CHEV TR (2001-05)
SP580307		N	1	FRONT WHEEL-2WD CHEV TR (1999-00)
SP580308		N	1	FRONT WHEEL-2WD CHEV TK (2001-05)

Part No.	On Hand	Pop	Qty	Application
<b>BEARING CONTINUED</b>				
SP580309		N	1	FRONT WHEEL-4WD/AWD CHEV TK (2001-05)
HA590000		N	1	FRONT WHEEL-2WD DODGE TK (2000-02)
HA590001		N	1	FRONT WHEEL-2WD DOD LT TK (2000-01)
HA590002		N	1	REAR WHEEL TOY (2003-06), REAR WHEEL -4W D/AW D PONT (2003-06)
HA590003		N	1	REAR WHEEL CHEV LT (2002-05)
HA590004		N	1	REAR WHEEL CHEV LT (2003-05), CHEV TR (2003-05)
HA590005		N	1	REAR WHEEL ACURA (2002-05), HONDA (2004-05)
HA590006		N	1	FRONT WHEEL PONT (2004-06)R.H. Application Front Wheel
HA590007		N	1	FRONT WHEEL PONT (2004-06)L.H. Application Front Wheel
HA590008		N	1	REAR WHEEL HONDA (2000-06)
HA590009		N	1	REAR WHEEL HONDA (2002-03)
HA590010		N	1	REAR WHEEL KIA (2004-05)
HA590011		N	1	REAR WHEEL KIA (2002-04)
HA590012		N	1	REAR WHEEL KIA (2002-03)
HA590013		N	1	REAR WHEEL KIA (2003-04)
HA590017		N	1	FRONT WHEEL FORD (2005-05)
HA590018			1	FRONT WHEEL-2WD DODGE TK (1994-99), FRONT WHEEL-4WD/AWD DODGE TK (1994-99)
HA590019		N	1	REAR WHEEL ACURA (2004-06)
HA590020			1	FRONT WHEEL-4WD/AWD DODGE TK (1994-99)
HA590021		N	1	REAR WHEEL FORD LT TK (2004-04), MERC (2004-04)
HA590022		N	1	REAR WHEEL FORD LT TK (2004-04), MERC (2004-04)
HA590023		N	1	FRONT WHEEL-4WD/AWD CHEV LT (2004-06)
HA590024		N	1	FRONT WHEEL FORD LT TK (2004-04), MERC (2004-04)
HA590025		N	1	FRONT WHEEL FORD LT TK (2004-04), MERC (2004-04)
HA590026		N	1	FRONT WHEEL FORD (2005-05)
HA590027		N	1	FRONT WHEEL INFNR (2003-06), NISSAN (2003-05)
HA590028		N	1	FRONT WHEEL FORD (2005-05), MERC (2005-05)
HA590029		N	1	FRONT WHEEL-4WD/AWD FORD (2005-05), MERC (2005-05)
HA590030		N	1	FRONT WHEEL CHRY (2005-06), DODGE (2005-06)
HA590031		N	1	REAR WHEEL CHRY (2005-06), DODGE (2005-06)
HA590032		N	1	FRONT WHEEL-4WD/AWD DODGE TK (2004-05)
HA590033		N	1	FRONT WHEEL-2WD DOD LT TK (2004-06), FRONT WHEEL-4WD/AWD DOD LT TK (2004-06)
HA590034		N	1	FRONT WHEEL-2WD DOD LT TK (2005-06), FRONT WHEEL-4WD/AWD DOD LT TK (2005-06)
HA590035		N	1	FRONT WHEEL-2WD DOD LT TK (2004-06), FRONT WHEEL-4WD/AWD DOD LT TK (2005-06)
HA590036		N	1	FRONT WHEEL-2WD JEEP (2005-06), FRONT WHEEL -4W D/AW D JEEP (2005-06)
HA590038		N	1	REAR WHEEL FORD (2005-05), MERC (2005-05)
HA590039		N	1	REAR WHEEL MITS (2001-05)
HA590040		N	1	REAR WHEEL ( 2 0 0 5 - 0 6 ) , TOY (2000-04)
HA590043		N	1	REAR WHEEL NISSAN (1998-01)
HA590044		N	1	REAR WHEEL NISSAN (2003-05)
HA590045		N	1	REAR WHEEL NISSAN (2003-05)
HA590046		N	1	FRONT WHEEL-2WD NISSAN (2003-06)
HA590047		N	1	REAR WHEEL NISSAN (1998-01)
HA590048		N	1	FRONT WHEEL ( 2 0 0 3 - 0 5 ) , BUICK SUV (2003-06)
HA590049		N	1	FRONT WHEEL-4WD/AWD CAD (2005-06)
HA590050		N	1	REAR WHEEL LEXUS (2003-05), TOY (2003-05)
HA590053		N	1	FRONT WHEEL-2WD CHEV LT (2004-06)
HA590054		N	1	FRONT WHEEL-2WD CHEV LT (2004-06)
HA590055		N	1	REAR WHEEL TOY (2004-06)
HA590055		K	1	FRONT WHEEL VOLVO (1988-88)
HA590056		K	1	FRONT WHEEL VOLVO (1989-94)

## HUB BUYER'S GUIDE *continued*

Part No.	On Hand	Pop	Qty	Application
<b>BEARING CONTINUED</b>				
HA590057		N	1	REAR WHEEL MERC (1997-02), NISSAN (1999-02)
HA590058		N	1	FRONT WHEEL-2WD CHEV LT (2004-06)
HA590059		N	1	FRONT WHEEL-2WD CHEV LT (2004-06)
HA590060		N	1	FRONT WHEEL-4WD/AWD CHEV LT (2004-06)
HA590061		N	1	FRONT WHEEL-2WD CHEV LT (2004-06)
HA590062		N	1	FRONT WHEEL-2WD CHEV LT (2004-06)
HA590063		N	1	REAR WHEEL TOY (2001-03)
HA590064		N	1	FRONT WHEEL TOY (2004-06)
HA590066		N	1	REAR WHEEL CHEV (2005-06), SAT (2003-06)
HA590067		N	1	REAR WHEEL CHEV (2005-06), SAT (2003-06)
HA590068		N	1	FRONT WHEEL CHEV (2005-06), SAT (2003-06)
HA590069		N	1	FRONT WHEEL CHEV (2005-06), SAT (2003-06)
HA590070		N	1	FRONT WHEEL CHEV (2004-06), PONT (2005-06)
HA590071		N	1	FRONT WHEEL PONT (2006-06)
HA590072		N	1	FRONT WHEEL MAZDAQ (2004-04)
HA590073		N	1	REAR WHEEL BUICK (2005-06), BUICKMINIV (2005-06), CHEV LT (2005-06), PONT
HA590073		N	1	(2004-06), SATURN SUV (2005-05)
HA590074		N	1	REAR WHEEL BUICK (2005-06), PONT (2004-06)
HA590075		N	1	FRONT WHEEL BUICK (2005-06), BUICKMINIV (2005-06), CHEV LT (2005-06), PONT (2004-06), REAR WHEEL-4WD/AWD BUICKMINIV (2005-06), CHEV LT (2005-06), PONT (2005-05)
HA590076		N	1	FRONT WHEEL BUICK (2005-06), PONT (2004-06)
HA590077		N	1	FRONT WHEEL CAD (2004-06), FRONT WHEEL-2 WD (2004-06)
HA590078		N	1	FRONT WHEEL-4WD/AWD ( 2 0 0 4 - 0 6 )
HA590079		N	1	REAR WHEEL ( 2 0 0 4 - 0 6 )
HA590080		N	1	REAR WHEEL CHEV (2004-06), PONT (2005-06)
HA590081		N	1	REAR WHEEL CHEV (2004-06), PONT (2005-06)
HA590082		N	1	REAR WHEEL CAD (2004-06)
HA590086		N	1	FRONT WHEEL CHEV (2005-06), CHEV LT (2006-06), SAT (2004-06)
HA590088		N	1	REAR WHEEL CHEV LT (2006-06), SAT (2004-06)
HA590095		N	1	REAR WHEEL MAZDAQ (2003-04)
HA590096		N	1	FRONT WHEEL MAZDA (2004-05)
HA590097		N	1	FRONT WHEEL MAZDAQ (2004-04)
HA590098		N	1	REAR WHEEL MAZDAQ (2004-04)
HA590099		N	1	REAR WHEEL MAZDAQ (2004-04)
HA590100		N	1	REAR WHEEL MAZDAQ (2003-04)
HA590101		N	1	REAR WHEEL MITS (2002-06)
HA590102		O	1	REAR WHEEL SAAB (1986-89)
HA590103		N	1	REAR WHEEL MITS (2003-06)
HA590104		N	1	REAR WHEEL MITS (2002-06)
HA590105		N	1	REAR WHEEL MITS (2003-05)
HA590107		N	1	REAR WHEEL MITS (1997-04)
HA590108		N	1	FRONT WHEEL MITS (2004-06), FRONT WHEEL-2 WD MITS (2004-05), FRONT WHEEL-4W D/AW D MITS (2004-05)
HA590109		N	1	REAR WHEEL NISSAN (2004-06)
HA590110		N	1	REAR WHEEL NISSAN (2000-06)
HA590111		N	1	REAR WHEEL NISSAN (2004-05)
HA590112		N	1	REAR WHEEL SUZ (2004-05)
HA590113		N	1	REAR WHEEL SUZ (2004-05)
HA590114		N	1	REAR WHEEL SUZ (2004-05)
HA590115		N	1	FRONT WHEEL SUZ (2004-05)
HA590118		N	1	FRONT WHEEL SUB (2005-06)
HA590119		N	1	REAR WHEEL SUB (2005-06)

Part No.	On Hand	Pop	Qty	Application
<b>BEARING CONTINUED</b>				
HA590120		N	1	REAR WHEEL MITS (2004-05)
HA590122		N	1	FRONT WHEEL INFINR (2003-04)
HA590123		N	1	REAR WHEEL INFIN (1999-02)
HA590124		N	1	FRONT WHEEL-2WD INFINS (2003-05)
HA590125		N	1	FRONT WHEEL-4WD/AWD INFINS (2003-05)
HA590126		N	1	FRONT WHEEL INFINR (2002-05)
HA590127		N	1	FRONT WHEEL INFINR (2003-03)
HA590128		N	1	REAR WHEEL MITS (2004-06)
HA590132		N	2	FRONT WHEEL-4WD/AWD FORD TK (1999-99)
HA590155K			1	FRONT WHEEL SAT (1991-93)
HA590156K		1		FRONT WHEEL SAT (1994-02)
HA590160		N	1	REAR WHEEL SUZ (1995-06)
HA590181K			1	FRONT WHEEL Dodge (1995-99), PLY (1995-99)
HA590182K			1	FRONT WHEEL Dodge (1995-99), PLY (1995-99)
HA590197			1	FRONT WHEEL CHRY (1988-88), DODGE (1988-88), PLY (1988-88)
HA590203		N	1	FRONT WHEEL-4WD/AWD DODGE TK (2000-03)
HA590208			1	FRONT WHEEL CHRY CUV (2004-05)
HA590209		N	1	REAR WHEEL CHRY CUV (2004-05)
HA590213			1	FRONT WHEEL FORD (2002-04), LINC
HA590224			1	FRONT WHEEL JAG (2003-04)
HA590225			1	FRONT WHEEL JAG (2000-04)
HA590240		N	1	FRONT WHEEL MITS (1994-03)
HA590241K			1	FRONT WHEEL VOLVO (1994-97)
HA590257		N	1	FRONT WHEEL VOLVO (2000-04), REAR WHEEL VOLVO (2000-04)
HA590259K		N	1	REAR WHEEL FORD LT TK (2002-05), LINC (2003-05), MERC (2002-05)
HA590263K		N	1	FRONT WHEEL FORD (2000-06)
HA590301K		N	1	FRONT WHEEL TOY (1987-88)
HA590302K		N	1	FRONT WHEEL TOY (1992-03)
HA590303K		N	1	FRONT WHEEL TOY (1992-03)
HA590306		N	1	REAR WHEEL CHRY (1996-05), Dodge (1995-05), EAGLE (1995-98), MITS (1995-05)
HA590307		N	1	FRONT WHEEL-2WD CHEV LT (2003-04)
HA590308		N	1	FRONT WHEEL BMW3 (1991-04), BMW4 (2003-04)
HA590309		N	1	FRONT WHEEL BMW3 (1997-03)
HA590352		N	1	FRONT WHEEL CHEV TR (2003-06), FRONT WHEEL-2 WD CHEV TK (2003-06)
HA590353		N	1	FRONT WHEEL-2WD CHEV TK (2003-06)
HA590389		N	1	REAR WHEEL VOLVO (1999-04)
HA590425		N	1	FRONT WHEEL-4WD/AWD FORD TK (1999-99)
HA590494		N	1	FRONT WHEEL BMWSUV (2000-00), REAR WHEEL BMW7 (2002-03), BMWSUV (2000-04)
HA590644			1	FRONT WHEEL-4WD/AWD HONDA (2002-02), ISUZU (2002-04)
HA590653			1	FRONT WHEEL-2WD HONDA (2002-02), ISUZU (2002-04)
HA591050		N	1	REAR WHEEL LEXUS (2001-04)
HA591080		N	1	REAR WHEEL TOY (2004-05)
HA591339			1	FRONT WHEEL-4WD/AWD CHEV TK (1988-94), CHEV TR (1987-94)
HA592210			1	REAR WHEEL HONDA (1997-01)
HA592410			1	REAR WHEEL TOY (2000-05)
HA592450			1	REAR WHEEL LEXUS (1999-06), TOY (2001-06)
HA592460			1	REAR WHEEL LEXUS (1999-06), TOY (2001-06)
HA592519			1	FRONT WHEEL BMW7 (1995-01)
HA593427			1	FRONT WHEEL BMW5 (1997-03), BMW8 (2000-03)
HA593550			1	FRONT WHEEL LEXUS (2001-04)
HA594181			1	FRONT WHEEL VOLVO (1998-98)

## HUB BUYER'S GUIDE *continued*

Part No.	On Hand	Pop	Qty	Application
<b>BEARING CONTINUED</b>				
HA594241			1	REAR WHEEL TOY (2001-05)
HA594245			1	REAR WHEEL ( 2 0 0 3 - 0 4 ) , TOY (2000-05)
HA594246		N	1	REAR WHEEL LEXUS (2003-05), TOY (2003-05)
HA594301		N	1	REAR WHEEL TOY (2001-06)
HA594460K			1	FRONT WHEEL HONDA (1988-90)
HA594504			1	REAR WHEEL TOY (2001-05)
HA595017		N	1	FRONT WHEEL TOY (2000-04)
HA595894			1	FRONT WHEEL VOLVO (1993-93)
HA596030		N	1	REAR WHEEL TOY (2002-06)
HA596060		N	1	FRONT WHEEL-2WD TOY (2003-05), FRONT WHEEL -4W D/AW D LEXUS (2003-04), TOY 2003-05)
HA596467		N	1	FRONT WHEEL CAD (1997-01)
HA597060		N	1	FRONT WHEEL-4WD/AWD LEXUS (2003-05)
HA597449			1	FRONT WHEEL-2WD JEEP (2000-01), FRONT WHEEL -4W D/AW D JEEP (2000-06)
HA597851			1	FRONT WHEEL-4WD/AWD DODGE TK (1994-99)
HA597957		N	1	REAR WHEEL VOLVO (1993-03)
HA598679			1	FRONT WHEEL-2WD JEEP (1999-04), FRONT WHEEL -4W D/AW D JEEP (1999-04)
HA599361			1	FRONT WHEEL-4WD/AWD DOD LT TK (1997-04)
HA599406			1	FRONT WHEEL-2WD DOD LT TK (1997-04)
HA599455L			1	FRONT WHEEL-2WD JEEP (2002-05), FRONT WHEEL -4W D/AW D JEEP (2002-05)
HA599455R			1	FRONT WHEEL-2WD JEEP (2002-05), FRONT WHEEL -4W D/AW D JEEP (2002-05)
HA599467			1	FRONT WHEEL-2WD JEEP (2002-05), FRONT WHEEL -4W D/AW D JEEP (2002-05)
HA599528			1	FRONT WHEEL-2WD DOD LT TK (1997-04)
HA599863			1	FRONT WHEEL-4WD/AWD DOD LT TK (2000-01)

# HUB ASSEMBLY / BEARING MODULE

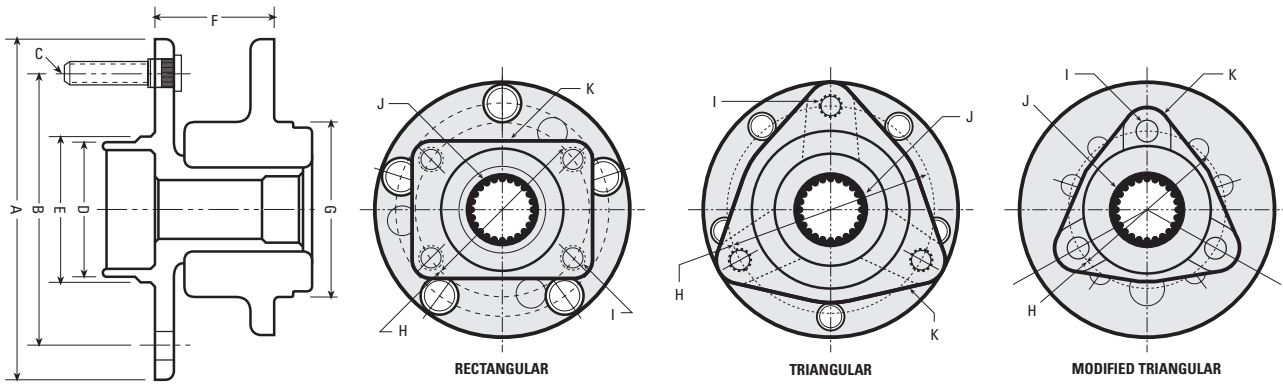
*DIAGRAMS AND SPECIFICATIONS*



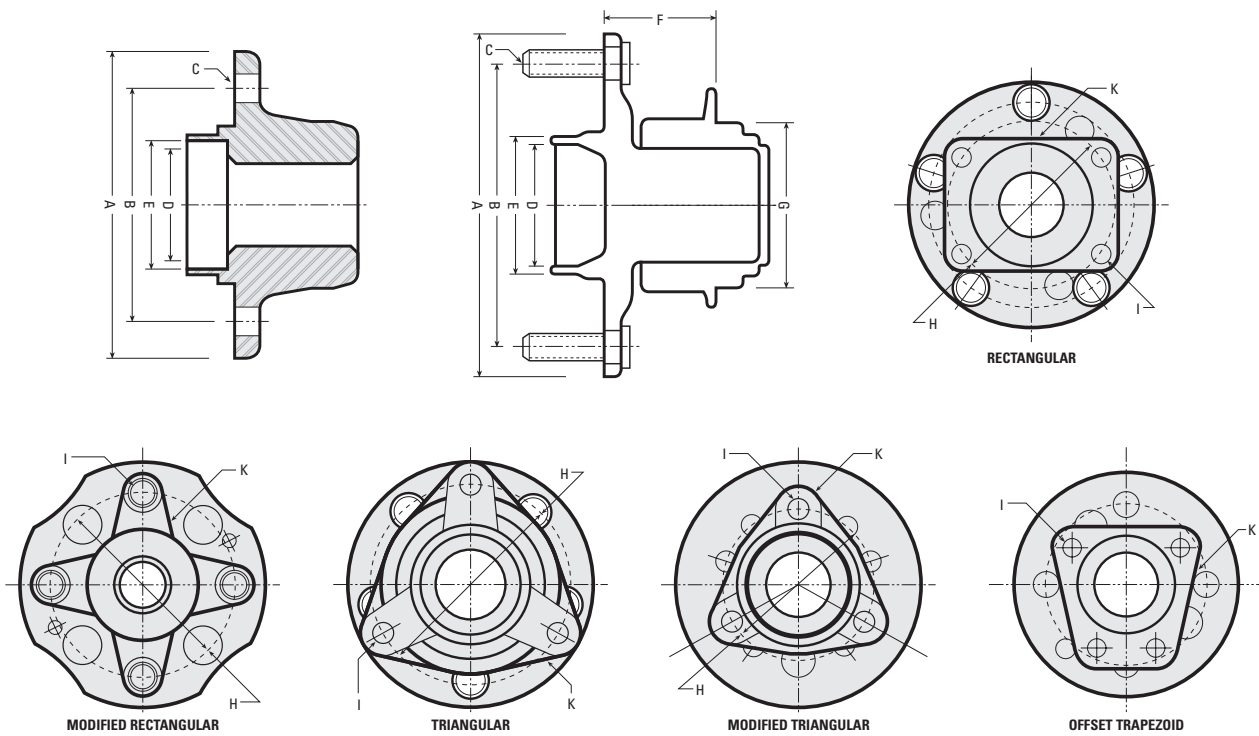


# HUB ASSEMBLY DIAGRAMS

## DRIVEN HUB ASSEMBLIES



## NON-DRIVEN HUB ASSEMBLIES



## HUB ASSEMBLY / BEARING MODULE - Numerical Listing

Bearing Number		Flange Dia	Bolt Circle Dia	Bolt Size Qty	Wheel Pilot Dia	Brake Pilot Dia	Flange Offset	Hub Pilot Dia	Bolt Circle Dia	Bolt Hole Size (Qty)	Flange Shape	No. Of Spline	ABS (Y/N)
		A	B	C	D	E	F	G	H	I	J		
510038	*	-	-	-	-	-	-	3.39	4.13	M10x1.25	Modified	-	-
								86.00	105.00	(4)	Trapezoid		
511010	*	-	-	-	-	-	-	3.19	-	-	Modified	-	-
								81.00		(4)	Rectangle		
511011	*	-	-	-	-	-	-	3.19	-	-	Modified	-	-
								81.00		(4)	Rectangle		
511012	*	-	-	-	-	-	-	3.54	5.96	-	Modified	-	-
								90.00	151.38	(4)	Rectangle		
512000		5.43	3.94	M12x1.5	2.24	2.26	2.56	2.40	-	0.43	Modified	-	N
		138.00	100.00	(4)	57.00	57.49	65.14	61.00		11.00 (4)	Trapezoid		
512001		5.43	3.94	M12x1.5	2.24	2.26	2.56	2.40	-	0.43	Modified	-	Y
		138.00	100.00	(5)	57.00	57.49	65.14	61.00		11.00 (4)	Trapezoid		
512002		5.43	3.94	M12x1.5	2.24	2.26	2.56	2.40	-	0.43	Modified	-	Y
		138.00	100.00	(4)	57.00	57.49	65.14	61.00		11.00 (4)	Trapezoid		
512003		5.93	4.53	M12x1.5	2.76	2.78	2.56	2.83	3.96	0.47	Rectangle	-	Y
		150.50	115.00	(5)	70.10	70.60	65.14	71.80	100.60	11.94 (4)			
512004		5.93	4.53	M12x1.5	2.76	2.78	2.56	2.83	3.96	0.47	Rectangle	-	Y
		150.50	115.00	(5)	70.10	70.60	65.14	71.80	100.60	11.94 (4)			
512005		6.14	4.53	M12x1.5	2.76	2.78	2.72	2.83	-	0.47	Rectangle	-	N
		156.00	115.00	(5)	70.14	70.63	69.10	71.80		11.94 (4)			
512006		5.93	4.53	M12x1.5	2.76	2.78	2.56	2.83	3.96	0.47	Rectangle	-	Y
		150.50	115.00	(5)	70.10	70.60	65.14	71.80	100.60	11.94 (4)			
512007		5.55	3.94	M12x1.5	1.89	2.20	2.24	-	-	M6x10	-	-	N
		141.00	100.00	(4)	48.00	56.00	57.00	-	-				
512008		5.77	4.50	M12x1.5	2.76	2.76	2.44	-	-	-	-	-	Y
		146.50	114.30	(5)	70.00	70.00	62.00	-	-				
512009	*	-	-	-	-	-	-	-	3.90	0.41	Modified	-	-
									99.00	10.50 (4)	Trapezoid		
512010		5.51	4.50	M12x1.5	2.64	3.54	2.27	-	-	-	-	-	N
		140.00	114.30	(5)	67.00	90.00	57.70	-	-				
512011		5.51	4.41	M12x1.5	2.64	3.55	-	-	-	-	-	-	Y
		140.00	112.00	(5)	67.00	90.00	-	-	-				
512012		4.72	3.94	M14x1.5	2.24	2.56	1.61	-	-	-	-	-	Y
		120.00	100.00	(5)	57.00	65.00	41.00	-	-				
512013		5.31	3.94	-	2.24	2.26	2.06	-	-	-	-	-	Y
		135.00	100.00	(5)	56.90	57.30	52.40	-	-				
512014	*	-	-	-	-	-	-	-	3.19	M12x1.25	Modified	-	-
									81.00	(4)	Rectangle		
512015		5.83	4.50	-	2.60	2.68	2.54	-	-	-	-	-	N
		148.00	114.30	(5)	66.00	68.00	64.50	-	-				
512016		5.83	4.50	M12x1.25	2.60	2.68	1.93	2.83	-	-	-	-	N
		148.00	114.30	(4)	66.00	68.00	49.00	72.00	-				
512017		5.08	4.25	M12x1.25	2.56	2.80	1.65	3.01	-	-	-	-	N
		129.00	108.00	(4)	65.00	71.00	42.00	76.50	-				
512018		5.51	3.94	M12x1.5	2.13	2.17	2.94	-	3.82	0.41	Modified	-	N
		140.00	100.00	(4)	54.00	55.00	74.70	-	97.00	10.50 (4)	Trapezoid		
512019		5.51	100.00	M12x1.5	2.13	2.17	2.94	N/A	3.82	0.413	Modified	-	Y
		140.00		(4)	54.00	55.00	74.70		97.00	(4)	Trapezoid		
512020		5.98	4.50	M12x1.5	2.52	2.52	2.20	-	-	-	-	-	Y
		152.00	114.30	(4)	64.00	64.00	56.00	-	-				
512021		5.31	3.94	-	2.24	2.26	2.06	-	-	-	-	-	N
		135.00	100.00	(4)	56.90	57.35	52.40	-	-				
512022		5.47	4.50	M12x1.5	2.52	2.52	2.31	-	-	-	-	-	Y
		139.00	114.30	(4)	64.00	64.00	58.70	-	-				
512023		5.31	3.94	-	2.24	2.26	2.06	-	-	-	-	-	Y
		135.00	100.00	(5)	56.90	57.35	52.40	-	-				
512024		5.35	4.21	M12x1.5	3.28	3.28	2.03	3.27	-	-	-	-	Y
		135.00	107.00	(4)	83.20	83.20	51.50	83.00	-				

\* Denotes a Bearing Module

## HUB ASSEMBLY / BEARING MODULE - Numerical Listing *continued*

Bearing Number	Flange Dia	Bolt Circle Dia	Bolt Size Qty	Wheel Pilot Dia	Brake Pilot Dia	Flange Offset	Hub Pilot Dia	Bolt Circle Dia	Bolt Hole Size (Qty)	Flange Shape	No. Of Spline	ABS (Y/N)
	A	B	C	D	E	F	G	H	I	J		
512025	5.28	3.94	14	2.32	2.68	2.07	-	-	-	-	-	N
	134.00	100.00	(4)	59.00	68.00	52.50						
512026	5.48	4.73	M12x1.5	2.64	3.57	2.33	-	-	-	-	-	Y
	139.07	120.22	(4)	67.06	90.68	59.20						
512027	5.47	4.50	M12x1.5	2.64	2.99	1.99	-	-	-	-	-	Y
	139.00	114.30	(4)	67.00	76.00	50.50						
512029	5.83	4.50	14	2.60	2.68	2.26	-	-	-	-	-	N
	148.00	114.30	(4)	66.00	68.00	57.50						
512030	5.51	4.50	M12x1.5	2.81	2.88	1.63	-	-	-	-	-	N
	140.00	114.30	(5)	71.40	73.15	41.40						
512031	5.98	4.50	M12x1.5	2.52	2.52	2.80	-	-	-	-	-	Y
	152.00	114.30	(4)	64.00	64.00	71.00						
512032	5.98	4.50	M12x1.5	2.52	2.52	2.20	-	-	-	-	-	Y
	152.00	114.30	(4)	64.00	64.00	56.00						
512033	4.92	3.94	M12x1.5	2.20	2.52	2.22	-	-	-	-	-	N
	125.00	100.00	(4)	56.00	64.00	56.50						
512034	5.35	3.94	M12x1.5	2.20	2.40	2.17	-	-	-	-	-	N
	136.00	100.00	(4)	56.00	61.00	55.00						
512036	4.96	3.94	M12x1.25	2.20	2.28	2.54	2.48	-	-	-	-	N
	126.00	100.00	(5)	56.00	58.00	64.50	63.00					
512037	5.51	4.50	-	-	-	2.22	-	-	-	-	-	N
	140.00	114.30	(4)			56.50						
512038	*	-	-	-	-	-	-	4.17	0.41	Modified	-	-
								106.00	10.50 (4)	Trapezoid		
512039	5.51	4.50	-	2.64	2.64	2.22	3.03	-	-	-	-	N
	140.00	114.30	(5)	67.00	67.00	56.50	77.00					
512040	5.52	4.50	-	2.64	2.64	2.22	2.62	-	-	-	-	Y
	140.20	14.30	(4)	67.00	67.00	56.50	66.50					
512041	6.02	4.50	M12x1.5	2.36	2.44	3.09	3.30	-	0.41	Modified	-	Y
	153.00	114.30	(5)	60.00	62.00	78.60	83.88		10.50(4)	Trapezoid		
512078	5.93	4.53	M12x1.5	2.76	2.78	2.56	2.83	3.96	0.47	Rectangle	-	Y
	150.50	115.00	(5)	70.10	70.60	65.14	71.80	100.60	11.94 (4)			
512105	-	-	-	2.49	2.54	2.29	-	-	-	-	-	Y
			(5)	63.26	64.42	58.06						
512106	5.47	4.21	M12x1.5	2.50	2.55	2.27	2.95	-	-	-	-	N
	139.00	107.00	(5)	63.50	64.50	57.75	75.00					
512107	5.47	4.25	M12x1.5	2.49	2.53	2.15	-	-	-	-	-	Y
	139.00	107.95	(5)	63.22	64.38	54.58						
512118	5.51	4.50	M12x1.5	2.64	2.83	2.32	2.80	-	-	-	-	Y
	140.00	114.30	(5)	67.00	72.00	59.00	71.00					
512119	5.51	4.50	M12x1.5	2.64	2.83	2.32	2.80	-	-	-	-	N
	140.00	114.30	(5)	67.00	72.00	59.00	71.00					
512120	5.98	4.50	M12x1.5	2.52	2.52	2.80	-	-	-	-	-	Y
	152.00	114.30	(4)	64.00	64.00	71.00						
512121	5.98	4.50	M12x1.5	2.52	2.52	2.80	-	-	-	-	-	Y
	152.00	114.30	(5)	64.00	64.00	71.00						
512122	5.98	4.50	M12x1.5	2.52	2.52	2.20	2.80	-	-	-	-	N
	152.00	114.30	(4)	64.00	64.00	56.00	71.00					
512123	5.77	4.50	M12x1.5	2.52	2.76	2.44	-	-	-	-	-	Y
	146.50	114.30	(5)	64.00	70.00	62.00						
512124	5.77	4.50	M12x1.5	2.52	2.76	2.44	-	-	-	-	-	Y
	146.50	114.30	(5)	64.00	70.00	62.00						
512125	5.51	4.50	M12x1.5	2.77	2.81	2.36	3.34	-	-	-	-	N
	140.00	114.30	(5)	70.40	71.35	60.00	84.75					
512133	5.23	3.74	M12x1.5	2.24	2.25	-	2.60	-	-	-	-	Y
	135.20	95.07	(5)	56.90	57.25		66.04					
512136	*	-	-	-	-	-	-	4.25	M10x1.25	Modified	-	-
								108.00	(4)	Trapezoid		

\* Denotes a Bearing Module

## HUB ASSEMBLY / BEARING MODULE - Numerical Listing *continued*

Bearing Number	*	Flange Dia	Bolt Circle Dia	Bolt Size Qty	Wheel Pilot Dia	Brake Pilot Dia	Flange Offset	Hub Pilot Dia	Bolt Circle Dia	Bolt Hole Size (Qty)	Flange Shape	No. Of Spline	ABS (Y/N)
		A	B	C	D	E	F	G	H	I	J		
512137	*	-	-	-	-	-	-	-	3.90	0.413	Modified	-	-
									99.00	(4)	Trapezoid		
512144		5.98	4.50	M12x1.5	2.52	2.52	2.20	-	-	-	-	-	Y
		152.00	114.30	(5)	64.00	64.00	56.00						
512145		5.51	4.13	-	2.58	2.56	-	-	4.14	0.41	-	-	Y
		140.00	105.00	(5)	65.43	65.10			105.23	10.34			
512146		5.15	4.27	-	2.55	2.68	-	-	-	-	-	-	Y
		130.84		(4)	64.77	67.95							
512147		5.37	3.94	M12x1.5	2.81	3.38	1.47	3.39	4.41	-	-	-	N
		136.27	100.00	(4)	71.37	85.85	37.39	86.21	111.98				
512148		4.92	3.94	M12x1.5	2.20	2.52	2.22	-	-	-	-	-	N
		125.00	100.00	(4)	56.00	64.00	56.50						
512149		5.46	4.25	M12x1.5	2.49	2.54	2.15	2.91	-	-	-	-	Y
		138.58	107.95	(5)	63.26	64.42	54.58	73.99					
512150		5.93	4.53	M12x1.5	2.76	2.78	2.56	2.83	3.96	.47	Rectangle	-	Y
		150.50	115.00	(5)	70.10	70.60	65.14	71.80	100.60	(4)			
512151		5.93	4.53	M12x1.5	2.76	2.78	2.56	2.83	3.96	0.47	Rectangle	-	Y
		150.50	115.00	(5)	70.10	70.60	65.14	71.80	100.60	11.94 (4)			
512152		5.93	4.53	M12x1.5	2.76	2.78	2.56	2.83	3.96	0.47	Rectangle	-	Y
		150.50	115.00	(5)	70.10	70.60	65.14	71.80	100.60	11.94 (4)			
512153		5.73	4.75	M12x1.5	2.76	2.78	1.66	3.60	4.57	M12x1.75	Modified	30	Y
		145.50	120.65	(5)	70.10	70.60	42.06	91.42	116.00	(3)	Triangle		
512154		5.32	3.74	M12x1.5	2.24	2.25	-	2.60	-	-	-	-	N
		135.20	95.07	(5)	56.90	57.25		66.04					
512155		4.96	3.94	M12x1.5	2.24	2.26	1.89	3.39	-	M12x1.5	Modified	-	Y
		126.00	100.00	(5)	56.80	57.30	48.00	86.00		(4)	Rectangle		
512156		5.51	4.50	M12x1.5	2.81	2.83	1.89	3.39	-	M12x1.5	Modified	-	Y
		140.00	114.30	(5)	71.40	71.90	48.00	86.00		(4)	Rectangle		
512157		5.46	4.26	M12x1.35	2.78	2.82	1.88	3.38	3.51	0.41	Modified	-	N
		138.87	108.38	(5)	70.73	71.62	7.94	85.95	89.15		Rectangle		
512158		5.51	4.50	M12x1.5	2.64		2.55	3.03	-	-	-	-	N
		140.00	114.30	(4)		67.00	64.70	77.00					
512159		5.47	4.50	M12x1.5	2.23	2.23	3.23	2.64	-	-	-	-	Y
		139.00	114.30	(4)	56.51	56.51	82.10	67.00					
512160		5.47	4.50	M12x1.5	2.64	2.99	1.92	2.64	-	-	-	-	Y
		139.00	114.30	(4)	67.00	76.00	48.80	67.00					
512161		4.80	3.94	M12x1.5	2.13	2.17	2.20	-	-	-	-	-	Y
		122.00	100.00	(4)	54.00	55.00	56.00						
512162		5.47	4.25	-	2.49	2.54	2.27	-	-	-	-	-	Y
		139.00	107.95	(5)	63.26	64.42	57.75						
512163		5.47	4.25	M12x1.5	2.49	2.53	2.15	-	-	-	-	-	Y
		139.00	107.95	(5)	63.22	64.38	54.58						
512164		5.47	4.25	M12x1.5	2.49	2.53	2.15	-	-	-	-	-	N
		139.00	107.95	(5)	63.22	64.38	54.58						
512165		5.47	4.50	M12x1.5	2.64	2.99	1.99	-	-	-	-	-	Y
		139.00	114.30	(4)	67.00	76.00	50.50						
512167		5.31	3.94	-	2.24	2.26	2.26	-	-	-	-	-	Y
		135.00	100.00	(5)	56.90	57.35	57.50						
512168		5.31	3.94	-	2.24	2.26	2.26	-	-	-	-	-	Y
		135.00	100.00	(5)	56.90	57.35	57.50						
512169		5.51	4.50	M12x1.5	2.81	2.83	1.89	3.39	-	M12x1.5	Modified	-	Y
		140.00	114.30	(5)	71.40	71.90	48.00	86.00		(4)	Rectangle		
512170		5.51	4.50	M12x1.5	2.81	2.83	1.89	3.39	-	M12x1.5	Modified	-	N
		140.00	114.30	(5)	71.40	71.90	48.00	86.00		(4)	Rectangle		
512171		4.80	3.94	-	2.22	2.24	2.52	-	-	M10x1.25	Rectangle	-	N
		122.00	100.00	(4)	56.50	57.00	64.00			(4)	Rectangle		
512172		5.98	4.50	M12x1.5	2.52	2.52	2.20	-	-	-	-	-	Y
		152.00	114.30	(4)	64.00	64.00	56.00						

\* Denotes a Bearing Module

## HUB ASSEMBLY / BEARING MODULE - Numerical Listing *continued*

Bearing Number	Flange Dia	Bolt Circle Dia	Bolt Size Qty	Wheel Pilot Dia	Brake Pilot Dia	Flange Offset	Hub Pilot Dia	Bolt Circle Dia	Bolt Hole Size (Qty)	Flange Shape	No. Of Spline	ABS (Y/N)
	A	B	C	D	E	F	G	H	I	J		
512173	5.98	4.50	M12x1.5 (5)	2.52	2.52	2.48	-	-	-	-	-	Y
	152.00	114.30		64.00	64.00	63.00						
512174	5.47	3.94	M12x1.5 (4)	2.20	2.40	2.20	2.60	-	-	-	-	N
	139.00	100.00		56.00	61.00	56.00	66.00					
512175	5.47	3.94	M12x1.5 (4)	2.20	2.40	2.20	2.60	-	-	-	-	Y
	139.00	100.00		56.00	61.00	56.00	66.00					
512176	5.98	4.50	M12x1.5 (4)	2.52	2.52	2.20	2.60	-	-	-	-	N
	152.00	114.30		64.00	64.00	56.00	66.00					
512177	5.98	4.50	M12x1.5 (4)	2.52	2.52	2.20	-	-	-	-	-	Y
	152.00	114.30		64.00	64.00	56.00						
512178	5.98	4.50	M12x1.5 (4)	2.52	2.52	2.20	-	-	-	-	-	Y
	152.00	114.30		64.00	64.00	56.00						
512179	5.98	4.50	M12x1.5 (5)	2.52	2.52	2.20	-	-	-	-	-	Y
	152.00	114.30		64.00	64.00	56.00						
512180	5.98	-	-	2.52	2.52	2.44	2.87	-	-	-	-	Y
	152.00		(5)	64.00	64.00	62.00	73.00					
512182	5.28	4.50	M12x1.25 (4)	2.36	2.52	1.95	-	-	-	-	-	N
	134.00	114.30		60.00	64.00	49.50						
512183	*	-	-	-	-	-	3.31	-	M12x1.25 (4)	Modified Rectangle	-	-
							84.00					
512184	5.51	3.94	M12x1.5 (4)	2.13	2.17	2.94	N/A	3.82	-	Modified Trapezoid	-	Y
	140.00	100.00		54.00	55.00	74.70		97.00	(4)			
512185	4.92	-	-	2.28	2.52	2.22	2.10	-	-	-	-	N
	125.00		(4)	58.00	64.00	56.50	57.30					
512186	5.51	-	-	2.64	2.84	2.33	2.80	-	-	-	-	Y
	140.00		(5)	66.95	72.01	59.21	71.00					
512189	5.83	4.50	M12x1.5 (5)	2.64	2.99	2.32	2.60	3.94	M10x1.25 (4)	Modified Rectangle	-	Y
	148.00	114.30		67.00	76.00	59.00	66.00	100.00				
512190	5.83	4.50	M12x1.5 (4)	2.64	2.99	2.32	2.60	3.94	M10x1.25 (4)	Modified Rectangle	-	Y
	148.00	114.30		67.00	76.00	59.00	66.00	100.00				
512191	5.83	4.50	M12x1.5 (4)	2.64	2.99	2.32	2.60	3.94	M10x1.25 (4)	Modified Rectangle	-	N
	148.00	114.30		67.00	76.00	59.00	66.00	100.00				
512192	5.51	3.94	M12x1.5 (4)	2.13	2.46	-	2.76	-	-	-	-	Y
	140.00	100.00		54.00	62.50		70.00					
512193	5.51	3.94	M12x1.5 (4)	2.13	2.46	-	2.76	-	-	-	-	N
	140.00	100.00		54.00	62.50		70.00					
512194	5.47	4.50	M12x1.5 (4)	2.64	2.99	-	2.91	-	-	-	-	N
	139.00	114.30		67.00	76.00		74.00					
512195	5.47	4.50	M12x1.5 (4)	2.64	2.99	-	2.91	-	-	-	-	Y
	139.00	114.30		67.00	76.00		74.00					
512196	5.83	4.50	M12x1.5 (5)	2.64	2.99	-	3.07	-	-	-	-	Y
	148.00	114.30		67.00	76.00		78.00					
512197	5.83	4.50	M12x1.5 (5)	2.64	2.99	-	3.07	-	-	-	-	N
	148.00	114.30		67.00	76.00		78.00					
512198	5.47	4.50	M12x1.5 (5)	2.64	2.99	-	2.91	-	-	-	-	Y
	139.00	114.30		67.00	76.00		74.00					
512199	5.47	4.50	M12x1.5 (5)	2.64	2.99	-	2.91	-	-	-	-	N
	139.00	114.30		67.00	76.00		74.00					
512200	4.79	3.95	M12x1.5 (4)	2.20	2.27	-	2.64	-	-	-	-	N
	121.62	100.27		55.94	57.68		67.09					
512215	5.31	3.94	M12x1.5 (5)	2.13	2.17	2.15	2.91	3.66	-	Modified Trapezoid	-	Y
	135.00	100.00		54.00	55.00	54.50	74.00	93.00	(4)			
512216	5.31	3.94	M12x1.5 (5)	2.13	2.17	2.15	2.91	3.66	-	Modified Trapezoid	-	N
	135.00	100.00		54.00	55.00	54.50	74.00	93.00	(4)			
512217	5.31	3.94	M12x1.5 (5)	2.13	2.17	2.15	2.91	3.66	M10x1.25 (4)	Modified Trapezoid	-	Y
	135.00	100.00		54.00	55.00	54.50	74.00	93.00				
512218	5.31	3.94	M12x1.5 (5)	2.13	2.17	2.15	2.91	3.66	M10x1.25 (4)	Modified Trapezoid	-	N
	135.00	100.00		54.00	55.00	54.50	74.00	93.00				

\* Denotes a Bearing Module

## HUB ASSEMBLY / BEARING MODULE - Numerical Listing *continued*

Bearing Number	Flange Dia	Bolt Circle Dia	Bolt Size Qty	Wheel Pilot Dia	Brake Pilot Dia	Flange Offset	Hub Pilot Dia	Bolt Circle Dia	Bolt Hole Size (Qty)	Flange Shape	No. Of Spline	ABS (Y/N)
	A	B	C	D	E	F	G	H	I	J		
512219	5.87	4.30	M12x1.5 (5)	2.60	2.91	-	-	-	-	-	-	Y
	148.97	109.11		65.91	73.85							
512220	5.33	3.98	M12x1.5 (5)	2.24	2.33	-	-	-	-	-	-	Y
	135.31	101.08		56.90	59.15							
512221	5.93	4.53	M12x1.5 (5)	2.76	2.78	2.56	2.83	3.96	0.47	Rectangle	-	N
	150.50	115.00		70.10	70.60	65.14	71.80	100.60	11.94 (4)			
512222	5.73	4.53	M12x1.5 (5)	2.76	2.78	1.66	3.60	4.57	M12x1.75 (3)	Modified Triangle	-	Y
	145.50	115.00		70.10	70.60	42.18	91.42	116.00				
512223	5.73	4.53	M12x1.5 (5)	2.76	2.78	1.66	3.60	4.57	M12x1.75 (3)	Modified Triangle	30	Y
	145.50	115.00		70.10	70.60	42.18	91.42	116.00				
512229	5.91	4.53	M12x1.5 (5)	2.76	2.78	3.25	3.11	-	M10x1.5 (4)	Rectangle	26	Y
	150.00	115.00		70.10	70.60	82.60	79.00					
512230	5.91	4.53	M12x1.5 (5)	2.76	2.78	3.25	3.11	-	M10x1.5 (4)	Rectangle	26	N
	150.00	115.00		70.10	70.60	82.60	79.00					
512232	5.51	4.13	- (5)	2.58	2.56	-	-	-	-	-	-	Y
	140.00	105.00		65.43	65.10							
512235	5.52	4.46	M12x1.5 (4)	2.64	3.55	-	2.82	-	-	-	-	Y
	140.11	113.33		66.93	90.12		71.66					
512236	5.73	4.53	M12x1.5 (5)	2.76	2.78	1.66	3.60	4.57	M12x1.75 (3)	Modified Triangle	-	N
	145.50	115.00		70.10	70.60	42.06	91.42	116.00				
512237	5.93	4.53	M12x1.5 (5)	2.76	2.78	2.56	2.83	3.96	0.47	Rectangle	-	Y
	150.50	115.00		70.10	70.60	65.14	71.80	100.60	11.94 (4)			
512238	5.51	4.33	M12x1.5 (5)	2.56	2.58	3.07	2.36	-	M10x1.25 (4)	Modified Trapezoid	-	Y
	140.00	110.00		64.99	65.47	78.00	60.00					
512239	5.51	4.33	M12x1.5 (5)	2.56	2.58	3.07	2.36	-	M10x1.25 (4)	Modified Trapezoid	-	N
	140.00	110.00		64.99	65.47	78.00	60.00					
513003	5.43	3.94	M12x1.5 (5)	2.24	2.26	2.56	2.83	-	0.47	Rectangle	-	N
	138.00	100.00		57.00	57.49	65.14	71.80		11.94 (4)			
513004K	4.92	3.94	M12x1.5 (5)	2.24	2.30	1.70	2.89	3.86	0.43	Modified Triangle	33	N
	125.00	100.00		57.00	58.33	43.18	73.50	98.00	11.00 (3)			
513010	5.77	4.75	M12x1.5 (5)	2.76	2.78	2.72	2.83	-	0.47	Rectangle	-	N
	146.56	120.65		71.10	70.60	69.00	71.80		11.91 (4)			
513011K	4.94	3.94	M12x1.5 (5)	2.25	2.27	1.65	2.80	4.02	0.5	Modified Triangle	33	N
	125.40	100.00		57.02	57.73	41.91	71.00	102.01	12.70 (3)			
513012	5.43	3.94	M12x1.5 (5)	2.24	2.26	2.56	2.40	-	0.42	Modified Trapezoid	-	N
	138.00	100.00		56.96	57.46	65.14	60.92		10.75 (4)			
513013	5.69	4.75	M12x1.5 (5)	2.76	2.78	1.86	3.21	4.75	M12x1.75 (3)	Modified Triangle	27	N
	144.50	120.65		70.10	70.60	47.28	81.50	120.65				
513016K	5.73	4.53	M12x1.5 (5)	2.76	2.78	1.66	3.55	4.57	0.51	Modified Triangle	27	N
	145.50	115.00		70.10	70.60	42.18	90.05	116.00	12.96(3)			
513017K	4.92	3.94	M12x1.5 (5)	2.24	2.26	1.75	2.89	3.86	0.51	Modified Triangle	33	N
	125.00	100.00		57.00	57.33	44.43	73.50	98.00	12.96 (3)			
513018	5.93	4.53	M12x1.5 (5)	2.76	2.78	2.56	2.83	3.96	0.47	Rectangle	-	N
	150.50	115.00		70.10	70.60	65.14	71.80	100.60	11.94 (4)			
513019	5.75	4.75	M12x1.5 (5)	2.76	2.78	2.71	2.82	-	0.46	Rectangle	-	Y
	146.00	120.65		70.10	70.60	68.72	71.72		11.69 (4)			
513020	5.69	4.75	M12x1.5 (5)	2.76	2.78	1.86	3.21	4.75	M12x1.75 (3)	Modified Triangle	27	N
	144.50	120.65		70.10	70.60	47.28	81.50	120.65				
513030	4.80	3.94	M12x1.5 (4)	2.13	2.17	2.20	2.56	-	-	-	-	N
	122.00	100.00		54.00	55.00	56.00	65.00					
513033	5.35	3.94	M12x1.5 (4)	2.21	2.40	-	-	-	-	-	-	N
	136.00	100.00		56.00	61.00							
513034	5.28	3.94	M12x1.5 (4)	2.20	2.40	1.95	2.36	-	-	-	-	N
	134.00	100.00		56.00	61.00	49.50	60.00					
513035	5.28	3.94	M12x1.5 (4)	2.20	2.40	1.95	2.46	-	-	-	-	N
	134.00	100.00		56.00	61.00	49.50	62.50					
513038	5.93	4.53	M12x1.5 (5)	2.76	2.78	2.56	2.83	3.96	0.47	Modified Trapezoid	-	Y
	150.50	115.00		70.10	70.60	65.14	71.80	100.60	11.94 (4)			

\* Denotes a Bearing Module



# HUB ASSEMBLY / BEARING MODULE - Numerical Listing *continued*

Bearing Number	Flange Dia	Bolt Circle Dia	Bolt Size Qty	Wheel Pilot Dia	Brake Pilot Dia	Flange Offset	Hub Pilot Dia	Bolt Circle Dia	Bolt Hole Size (Qty)	Flange Shape	No. Of Spline	ABS (Y/N)
	A	B	C	D	E	F	G	H	I	J		
513039	5.93	4.53	M12x1.5	2.76	2.78	2.56	2.83	3.96	0.47	Rectangle	-	Y
	150.50	115.00	(5)	70.10	70.60	65.14	71.80	100.60	11.94 (4)			
513041	5.93	4.53	M12x1.5	2.76	2.78	2.56	2.83	3.96	0.47	Rectangle	-	Y
	150.50	115.00	(5)	70.10	70.60	65.14	71.80	100.60	11.94 (4)			
513042	5.93	4.53	M12x1.5	2.76	2.78	2.56	2.83	3.96	0.47	Rectangle	-	Y
	150.50	115.00	(5)	70.10	70.60	65.14	71.80	100.60	11.94 (4)			
513044	5.69	4.53	M12x1.5	2.76	2.78	1.77	4.69	5.75	M10x1.5	Modified	33	N
	144.50	115.00	(5)	70.14	70.63	45.02	119.04	146.00	(4)	Trapezoid		
513048	5.47	4.50	-	2.52	2.52	2.17	2.80	-	-	-	-	Y
	139.00	114.30	(4)	64.00	64.00	55.00	71.00					
513049	5.47	4.50	-	2.52	2.52	2.17	2.80	-	-	-	-	Y
	139.00	114.30	(4)	64.00	64.00	55.00	71.00					
513050	5.28	3.94	M12x1.5	2.20	2.40	1.95	2.46	-	-	-	-	N
	134.00	100.00	(4)	56.00	61.00	49.50	62.50					
513059	5.73	4.53	M12x1.5	2.76	2.78	1.66	3.55	4.57	0.51	Modified	33	N
	145.50	115.00	(5)	70.10	70.60	42.18	90.05	116.00	12.96 (3)	Triangle		
513061	5.69	4.75	M12x1.5	2.76	2.78	1.86	3.21	4.75	M12x1.75	Modified	27	Y
	144.50	120.65	(5)	70.10	70.60	47.28	81.50	120.65	(3)	Triangle		
513062	5.93	4.53	M12x1.5	2.76	2.78	2.56	2.83	3.96	0.47	Rectangle	-	Y
	150.50	115.00	(5)	70.10	70.60	65.14	71.80	100.60	11.94 (4)			
513063	5.77	4.53	M12x1.5	2.76	2.78	1.66	3.55	4.57	0.51	Modified	33	N
	146.51	115.01	(5)	70.13	70.64	42.16	90.04	116.00	(3)	Rectangle		
513070	5.24	-	-	2.14	2.36	-	2.80	-	-	-	-	N
	133.00		(5)	54.25	60.00		71.00					
513072	5.24	-	-	2.14	2.36	-	3.39	-	-	-	-	Y
	133.00		(5)	54.25	60.00		86.00					
513074	5.49	4.50	M12x1.5	2.81	2.88	1.47	3.43	4.41	M10x1.5	Modified	26	N
	139.32	114.30	(5)	71.32	73.25	37.34	87.00	112.01	(4)	Rectangle		
513075	4.97	3.94	M12x1.5	2.24	2.40	1.48	3.43	4.41	M10x1.5	Rectangle	26	N
	126.25	100.00	(5)	56.90	60.93	37.60	87.05	112.00	(4)			
513076	-	-	M12x1.5	-	-	-	-	-	-	-	-	Y
			(5)									
513078	5.24	3.94	M12x1.5	2.14	2.36	-	2.80	-	-	Rectangle	-	N
	133.00	100.00	(4)	54.25	60.00		71.00					
513080	5.98	4.50	M12x1.5	2.52	2.52	2.20	2.60	-	-	-	-	N
	152.00	114.30	(4)	64.00	64.00	56.00	66.00		24.00 (4)			
513081	5.98	-	-	2.52	2.52	2.20	2.64	-	-	-	-	Y
	152.00		(4)	64.00	64.00	56.00	67.00					
513082	5.70	4.50	1/2-20	2.81	2.88	2.12	3.39	4.50	1/2-20	Circular	26	N
	144.78	114.30	(5)	71.32	73.25	53.72	85.98	114.30	(4)			
513084	6.06	4.50	1/2-20	2.81	2.83	2.13	3.94	4.75	M12x1.75	Modified	27	N
	153.97	114.30	(5)	71.42	71.88	54.18	100.13	120.65	(3)	Triangle		
513085	5.75	4.75	M12x1.5	2.76	2.78	2.71	2.82	-	0.47	Rectangle	-	Y
	146.00	120.65	(5)	70.10	70.60	68.72	71.72		11.94 (4)			
513087	5.73	4.53	M12x1.5	2.76	2.78	1.66	3.60	4.57	0.51	Modified	33	Y
	145.50	115.00	(5)	70.10	70.60	42.18	91.42	116.00	12.96 (3)	Triangle		
513088	5.73	4.53	M12x1.5	2.76	2.78	1.66	3.60	4.57	0.51	Modified	33	N
	145.50	115.00	(5)	70.10	70.60	42.18	91.42	116.00	12.96 (3)	Triangle		
513089	5.73	4.50	M12x1.5	2.81	2.89	1.66	3.58	4.57	M12x1.75	Modified	33	N
	145.50	114.30	(5)	71.42	73.28	42.06	91.00	116.00	(3)	Triangle		
513090	5.75	4.75	M12x1.5	2.76	2.78	2.71	2.82	-	M10x1.5	Rectangle	-	Y
	146.00	120.65	(5)	70.10	70.60	68.72	71.72		(4)			
513092	5.47	4.25	M12x1.5	2.49	2.80	1.87	3.39	4.25	0.51	-	-	Y
	139.00	107.95	(5)	58.00	63.30	47.60	86.00	108.00	13.00 (5)			
513093	*	-	-	-	-	-	3.27	-	M10x1.25	Modified	-	-
							83.00		(4)	Trapezoid		
513095	4.73	-	M12x1.5	2.25	2.60	-	-	-	-	-	-	Y
	120.02		(4)	57.12	65.91							

HUB TECHNOLOGY

## HUB ASSEMBLY / BEARING MODULE - Numerical Listing *continued*

Bearing Number	Flange Dia	Bolt Circle Dia	Bolt Size Qty	Wheel Pilot Dia	Brake Pilot Dia	Flange Offset	Hub Pilot Dia	Bolt Circle Dia	Bolt Hole Size (Qty)	Flange Shape	No. Of Spline	ABS (Y/N)
	A	B	C	D	E	F	G	H	I	J		
513096	5.47	4.72	M12x1.5	2.85	3.10	-	-	-	-	-	-	Y
	139.00	120.00	(5)	66.00	72.50							
513098	*	-	-	-	-	-	3.27	4.02	M10x1.25	Modified	-	-
							83.00	102.00	(4)	Trapezoid		
513099	*	-	-	-	-	-	3.31	-	-	Square	-	-
							84.00	106.00	(4)			
513100	5.47	4.25	M12x1.5	2.49	2.79	1.41	3.37	4.41	M12x1.75	Modified	26	N
	139.00	107.95	(5)	63.23	70.97	35.90	85.50	112.00	(3)	Triangle		
513104	5.94	4.50	1/2-20	2.77	2.82	2.05	3.07	-	-	-	-	Y
	151.00	114.30	(5)	70.47	71.63	52.00	78.00					
513105	5.35	3.94	M12x1.5	2.20	2.40	2.17	-	-	-	-	-	Y
	136.00	100.00	(4)	56.00	61.00	55.00						
513107	5.67	4.50	1/2-20	2.81	2.83	1.81	3.94	4.75	M12x1.75	Modified	27	N
	144.00	114.30	(5)	71.30	71.83	46.00	100.00	120.65	(3)	Triangle		
513109	5.68	4.50	1/2-20	2.82	2.88	2.11	3.79	5.00	1/2-20	Rectangle	31	N
	144.00	114.30	(6)	71.43	73.00	54.00	96.20	127.00	(4)			
513111	*	4.72	3.94	-	2.24	2.60	1.65	2.60	-	-	-	-
	120.00	100.00	(4)	57.00	66.00	42.00	66.00					
513114	5.51	4.50	M12x1.5	2.64	2.83	2.40	3.07	-	-	-	-	Y
	140.00	114.30	(5)	67.00	72.00	61.00	78.00					
513115	5.47	4.50	1/2-20	2.78	2.80	1.87	3.15	-	-	-	-	Y
	139.00	114.30	(5)	70.50	71.00	47.60	80.00					
513121	5.73	4.53	M12x1.5	2.76	2.78	1.66	3.59	4.57	M12x1.75	Modified	33	Y
	145.50	115.00	(5)	70.10	70.60	42.06	91.25	116.00	(3)	Triangle		
513122	4.96	3.94	M12x1.5	2.24	2.40	1.47	3.43	4.41	M10x1.5	Rectangle	26	N
	26.00	100.00	(5)	56.80	60.80	37.30	87.00	112.00	(4)			
513123	5.49	4.50	M12x1.5	2.81	2.88	1.47	3.43	4.41	M10x1.5	Rectangle	26	N
	139.32	114.30	(5)	71.32	73.25	347.30	87.00	112.00	(4)			
513124	5.69	4.75	M12x1.5	2.76	2.78	1.85	3.62	4.75	M12x1.75	Modified	27	Y
	144.50	120.65	(5)	70.10	70.60	47.00	91.98	120.65	(3)	Triangle		
513125	5.26	4.45	-	2.65	2.92	3.00	-	-	-	-	48	Y
	133.57	113.03	(5)	67.25	74.05	76.20						
513126	5.14	4.27	-	2.68	2.56	1.46	3.26	4.06	0.33	Rectangle	-	N
	130.58	108.36	(4)	67.95	64.90	37.01	82.88	103.23	8.48			
513127	5.18	4.23	-	2.56	2.67	1.46	3.18	-	0.41	Rectangle	26	N
	131.47	107.54		64.92	67.92	37.11	80.86		10.54			
513128	5.39	-	M12x1.5	2.56	2.68	-	-	4.25	-	-	-	N
	136.86		(5)	64.97	67.95			107.95				
513131	5.51	4.50	M12x1.5	2.64	2.83	2.40	3.07	-	M8x1.25	-	-	Y
	140.00	114.30	(5)	67.00	72.00	61.00	78.00		-			
513132	5.47	4.50	M12x1.5	2.81	2.90	1.50	3.43	4.41	0.314	Rectangle	-	N
	138.99	114.30	(6)	71.32	73.56	38.10	87.02	111.88	(4)			
513133	5.63	4.50	-	2.64	2.64	1.52	3.43	4.41	M12x1.25	Modified	27	N
	143.00	114.30	(5)	67.00	67.00	38.50	87.00	112.00	(4)	Rectangle		
513135	*	-	-	-	-	-	3.23	4.17	M12x1.25	Modified	-	-
							82.00	106.00	(4)	Trapezoid		
513137	5.73	4.53	M12x1.5	2.76	2.78	1.46	3.60	4.57	M12x1.75	Modified	30	Y
	145.50	115.00	(5)	70.10	70.60	37.10	91.42	116.00	(3)	Triangle		
513138	4.96	3.94	M12x1.5	2.24	2.40	1.48	3.43	4.33	M12x1.75	Modified	26	N
	125.91	100.00	(5)	56.79	60.83	37.47	87.00	110.01	(3)	Triangle		
513139	5.73	4.75	M12x1.5	2.76	2.78	1.66	3.60	4.57	M12x1.75	Modified	-	Y
	145.50	120.65	(5)	70.10	70.60	42.18	91.42	116.00	(3)	Triangle		
513142	5.24	3.94	M12x1.5	2.36	2.60	-	2.79	-	-	-	-	N
	132.99	100.00	(4)	59.99	65.99		70.76					
513152	4.80	3.94	M12x1.5	2.13	2.17	2.13	2.40	-	-	-	-	N
	122.00	100.00	(4)	54.00	55.00	54.00	61.00					
513153	5.51	4.50	M12x1.5	2.64	2.83	2.40	3.07	-	-	-	-	Y
	140.00	114.30	(5)	67.00	72.00	61.00	78.00					

\* Denotes a Bearing Module



# HUB ASSEMBLY / BEARING MODULE - Numerical Listing *continued*

Bearing Number	Flange Dia	Bolt Circle Dia	Bolt Size Qty	Wheel Pilot Dia	Brake Pilot Dia	Flange Offset	Hub Pilot Dia	Bolt Circle Dia	Bolt Hole Size (Qty)	Flange Shape	No. Of Spline	ABS (Y/N)
	A	B	C	D	E	F	G	H	I	J		
513155	4.80	3.94	M12x1.5	2.13	2.17	2.13	-	-	-	-	-	Y
	122.00	100.00	(4)	54.00	55.00	54.00						
513156	5.47	4.25	M12x1.5	2.49	2.77	1.91	3.29	4.49	M12x1.75	Modified	26	N
	139.00	107.95	(5)	63.23	70.37	48.46	83.50	114.00	(3)	Triangle		
513157	5.59	4.50	M12x1.5	2.63	2.71	1.60	2.52	4.17	M12x1.25	Modified	-	N
	142.00	114.30	(5)	66.90	68.88	40.62	64.00	106.00	(4)	Trapezoid		
513160	5.73	4.53	M12x1.5	2.76	2.78	1.66	3.60	4.57	M12x1.75	Modified	33	N
	145.50	115.00	(5)	70.10	70.60	42.18	91.42	116.00	(3)	Triangle		
513178	6.04	4.47	M12x1.5	2.81	2.86	2.12	3.74	4.63	-	Modified	-	N
	153.47	113.47	(5)	71.42	72.64	53.87	94.89	117.58	(3)	Triangle		
513179	5.73	4.53	M12x1.5	2.76	2.78	1.66	3.60	4.57	M12x1.75	Modified	33	Y
	145.50	115.00	(5)	70.10	70.60	42.18	91.42	116.00	(3)	Triangle		
513186	5.73	4.53	M12x1.5	2.76	2.78	1.66	3.60	4.57	M12x1.75	Modified	-	Y
	145.50	115.00	(5)	70.10	70.60	42.18	91.42	116.00	(3)	Triangle		
513187	5.73	4.53	M12x1.5	2.76	2.78	1.66	3.60	4.57	M12x1.75	Modified	33	Y
	145.50	115.00	(5)	70.10	70.60	42.06	91.42	116.00	(3)	Triangle		
513188	5.94	5.00	M12x1.5	3.06	3.11	1.85	3.62	4.75	M12x1.75	Modified	27	Y
	150.75	127.00	(6)	77.78	78.98	47.00	91.98	120.65	(3)	Triangle		
513189	5.91	4.53	M12x1.5	2.76	2.78	2.99	3.59	4.57	M12x1.75	Modified	-	Y
	150.00	115.00	(5)	70.10	70.60	76.01	91.25	116.00	(3)	Triangle		
513190	5.91	4.53	M12x1.5	2.76	2.78	2.99	3.59	4.57	M12x1.75	Modified	-	N
	150.00	115.00	(5)	70.10	70.60	76.01	91.25	116.00	(3)	Triangle		
513193	6.69	5.50	M12x1.5	4.13	4.26	-	3.10	-	-	-	-	Y
	170.00	139.70	(5)	105.00	108.25		78.65					
513194	5.34	4.08	-	2.55	2.70	1.69	3.44	4.08	-	Modified	-	N
	135.64	103.58	(5)	64.82	68.58	43.00	87.43	103.68	(4)	Rectangle		
513196	5.95	4.45	-	2.75	2.98	1.41	3.43	3.86	-	Modified	-	Y
	151.00	112.92	(5)	69.93	75.58	35.76	87.06	98.08	(4)	Rectangle		
513202	5.96	4.25	M12x2.4	2.77	2.83	2.17	-	-	-	-	-	Y
	151.53	107.95	(5)	70.51	71.90	55.32						
515000	5.69	4.50	1/2-20	2.51	2.54	2.02	3.94	4.75	M12x1.75	Modified	26	N
	144.50	114.30	(5)	63.80	64.40	51.30	100.00	120.60	(3)	Triangle		
515001	7.16	5.50	M14x1.5	3.06	3.08	2.23	3.91	4.96	0.58	Modified	33	N
	181.76	139.70	(6)	77.60	78.11	56.74	99.31	125.98	14.73 (3)	Triangle		
515002	7.17	5.50	M14x1.5	3.06	3.08	1.99	3.91	4.96	0.58	Modified	33	N
	181.99	139.70	(6)	77.60	78.11	50.55	99.31	125.98	14.73 (3)	Triangle		
515005	6.78	5.00	1/2-20	3.06	3.09	2.93	3.85	4.96	0.58	Modified	33	Y
	172.21	127.00	(5)	77.60	78.36	74.30	97.71	125.98	14.68	Triangle		
515006	6.78	5.50	1/2-20	3.06	3.09	2.03	3.91	4.96	M14x1.5	Modified	33	N
	172.09	139.70	(5)	77.72	78.49	51.44	99.31	125.98	(3)	Triangle		
515014	5.88	4.50	1/2-20	2.77	3.63	1.93	3.90	N/A	-	Modified	-	N
	149.40	114.30	(5)	87.12	92.32	49.08	99.25		(3)	Triangle		
515017	7.17	5.32	-	3.42	3.54	2.98	3.91	4.96	M14x1.5	Modified	33	N
	181.99	135.03	(5)	86.74	89.97	75.79	99.31	125.88	(3)	Triangle		
515020	7.99	6.69	M14					N/A	-	Rectangle		Y
	203.00	170.00	(8)						(4)			
515021	7.99	6.69	M14					N/A	-	Rectangle		N
	203.00	170.00	(8)						(4)			
515022	7.14	5.91	M12x1.75	3.42	3.64	1.94	3.91	N/A	M14x1.5	Modified	33	N
	181.35	150.00	(7)	86.74	92.46	49.28	99.31		(3)	Triangle		
515025	7.99	6.69	M14					N/A	-	Rectangle		Y
	203.00	170.00	(8)						(4)			
515026	5.88	4.50	1/2-20	2.78	2.84	2.21	3.94	N/A	-	Modified		N
	149.40	114.30	(5)	70.61	72.14	56.13	100.08		(3)	Triangle		
515027	5.88	4.50	1/2-20	2.78	2.84	2.21	3.94	N/A	-	Modified		Y
	149.40	114.30	(5)	70.61	72.14	56.13	100.08		(3)	Triangle		
515028	7.13	5.31	M14X2					N/A	-	Modified		N
	181.00	135.00	(5)						(3)	Triangle		

## HUB ASSEMBLY / BEARING MODULE - Numerical Listing *continued*

Bearing Number	Flange Dia	Bolt Circle Dia	Bolt Size Qty	Wheel Pilot Dia	Brake Pilot Dia	Flange Offset	Hub Pilot Dia	Bolt Circle Dia	Bolt Hole Size (Qty)	Flange Shape	No. Of Spline	ABS (Y/N)
	A	B	C	D	E	F	G	H	I	J		
515029	7.13	5.31	M14X2					N/A	-	Modified		Y
	181.00	135.00	(5)						(3)	Triangle		
515030	7.14	5.91	M12X1.75	3.42	3.63	1.94	3.91	N/A	-	Modified	33	Y
	181.35	150.00	(7)	86.74	92.20	49.28	99.31		(3)	Triangle		
515031	7.14	5.31	M14X2.0	3.42	3.63	49.28	3.91	N/A	-	Modified	33	Y
	181.35	135.00	(5)	86.74	92.20	1.94	99.31		(3)	Triangle		
518500	4.80	3.94	M12x1.5	2.24	2.40	-	2.99	3.70	M8x1.25	-	26	N
	122.00	100.00	(4)	56.85	60.87		76.00	94.00	(3)			
518501	4.96	3.94	M12x1.5	2.24	2.40	-	2.99	4.46	M8x1.25	-	26	N
	126.00	100.00	(4)	56.85	60.87		76.00	113.00	(3)			
518502	4.96	3.94	M12x1.5	2.24	2.40	-	2.99	4.46	M8x1.25	-	26	N
	126.00	100.00	(5)	56.85	60.87		76.00	113.00	(3)			
518503	2.49	4.25	M12x1.5	2.49	2.49	3.06	-	-	-	-	26	N
	63.35	107.95	(4)	63.12	63.35	77.72						
518504	4.72	3.94	M12x1.5	2.20	2.93	-	-	-	-	-	24	N
	120.00	100.00	(4)	55.84	60.80							
518505	4.80	3.94	M12x1.5	2.21	2.42	-	-	-	-	-	-	N
	122.00	100.00	(4)	56.23	61.44							
518506	4.88	3.94	M12x1.5	2.13	-	-	1.49	-	-	-	26	N
	123.95	100.00	(5)	53.98			37.99					
518507	4.88	3.94	M12x1.5	2.13	-	-	-	-	-	-	26	N
	123.95	100.00	(4)	53.98								
520000	5.49	4.25	M12x1.5	2.50	2.54	2.40	-	-	-	-	26	N
	139.32	107.95	(5)	63.37	64.39	60.99						
520100	5.49	4.25	M12x1.5	2.49	2.79	2.23	-	-	-	-	26	N
	139.32	107.95	(5)	63.22	70.97	56.67						
HA500100	7.22	5.50	9/16-18	3.06	3.09	1.85	3.54	4.96	M14x1.5	Modified	33	N
	183.30	139.70	(5)	77.70	78.42	47.08	90.04	126.00	(3)	Triangle		
HA590002	5.32	3.93	M12x1.5	2.13	2.18	2.18	2.91	3.65	M10x1.25	Modified	26	N
	135.00	99.76	(5)	54.03	55.30	55.40	73.96	92.68	(4)	Rectangle		
HA590003	7.12	5.50	M14x1.5	2.90	3.08	2.15	4.17	5.51	-	Square	37	N
	180.78	139.70	(6)	73.75	78.26	54.65	105.91	140.00	(4)			
HA590004	7.85	6.50	M14x1.5	4.44	4.61	2.40	4.17	5.73	M12x1.75		37	N
	199.40	165.10	(8)	112.73	117.00	60.98	105.87	145.56				
HA590008	5.27	3.93	M12x1.5	2.21	2.40	-	-	-	-	-	-	Y
	133.76	99.90	(4)	56.05	60.96							
HA590009	5.47	3.94	M12x1.5	2.21	2.40	-	-	-	-	-	-	Y
	139.00	100.00	(4)	56.06	61.03							
HA590010	5.83	4.50	M12x1.5	2.64	2.99	2.52	2.83	3.94	M12x1.25	Modified	-	Y
	148.00	114.30	(5)	66.94	75.97	64.12	71.95	100.04	(4)	Trapezoid		
HA590013	5.63	4.50	M12x1.5	2.64	2.80	-	-	-	-	-	-	Y
	143.00	114.30	(5)	66.93	71.07							
HA590014	5.51	4.50	M12x1.5	2.63	2.83	-	-	-	-	-	-	Y
	140.00	114.30	(5)	66.92	71.98							
HA590017	5.83	4.50	1/2-20	2.77	2.80	-	-	-	-	-	-	Y
	148.00	114.30	(5)	70.48	71.12							
HA590018	8.19	6.50	9/16-18	4.59	-	2.69	4.48	5.51	M14X1.5	Rectangle	33	N
	208.00	165.10	(8)	116.64		68.25	113.86	140.00	(4)			
HA590019	5.47	4.50	M12x1.5	2.52	2.54	2.31	2.91	3.93	M10x1.25	Modified	-	Y
	139.00	114.30	(5)	64.05	64.44	58.69	73.95	99.89	(4)	Trapezoid		
HA590020	8.42	6.50	0.60	4.77	-	2.97	4.48	-	M14x1.5	Rectangle	33	N
	213.87	165.10	(8)	121.16		75.31	113.89		(4)			
HA590021	6.14	4.50	1/2-20	2.49	2.54	2.42	2.91	4.23	M12x1.75	Modified	-	Y
	156.00	114.30	(5)	63.30	64.40	61.50	74.04	107.50	(4)	Rectangle		
HA590022	6.15	4.50	1/2-20	2.49	2.54	2.41	2.91	4.24	-	Modified	-	Y
	156.20	114.30	(5)	63.26	64.62	61.13	73.96	107.58	(4)	Trapezoid		
HA590023	7.25	5.50	M12x1.5	3.92	3.94	2.65	3.35	4.41	M12x1.75	Rectangle	27	Y
	184.16	139.70	(6)	99.50	100.01	67.23	84.97	112.06	(4)			

\* Denotes a Bearing Module

# HUB ASSEMBLY / BEARING MODULE - Numerical Listing *continued*

Bearing Number	Flange Dia	Bolt Circle Dia	Bolt Size Qty	Wheel Pilot Dia	Brake Pilot Dia	Flange Offset	Hub Pilot Dia	Bolt Circle Dia	Bolt Hole Size (Qty)	Flange Shape	No. Of Spline	ABS (Y/N)
	A	B	C	D	E	F	G	H	I	J		
HA590024	6.15	4.50	1/2-20 (5)	2.49	2.80	1.64	3.60	4.57	M12x1.75 (3)	Modified Triangle	26	Y
HA590025	156.20	114.30	(5)	63.27	71.17	41.63	91.52	116.14	(3)	Triangle	26	Y
HA590026	6.14	4.50	1/2-20 (5)	2.49	2.81	1.68	3.60	4.53	-	Modified Triangle	26	Y
HA590027	156.00	114.30	(5)	63.32	71.46	42.76	91.50	115.06	(3)	Triangle	-	N
HA590028	5.83	4.50	1/2-20 (5)	2.78	2.84	-	3.15	-	-	-	-	N
HA590029	148.00	114.30	(5)	70.61	72.14	-	80.04	-	-	-	-	N
HA590030	5.35	4.50	M12x1.25 (5)	2.60	2.67	1.61	3.31	4.25	M12x1.25 (4)	Rectangle	-	Y
HA590031	136.00	114.30	(5)	65.92	67.94	40.85	84.01	107.90	(4)	Triangle	38	Y
HA590032	5.74	4.50	1/2-20 (5)	2.49	2.68	1.71	3.44	4.44	M12x1.75 (4)	Rectangle	38	Y
HA590033	145.83	114.30	(5)	63.24	68.02	43.48	87.30	112.88	(4)	Triangle	38	Y
HA590034	-	-	-	-	-	-	-	-	-	Modified Trapezoid	38	Y
HA590035	5.90	4.53	M14x1.5 (5)	2.81	2.86	-	-	-	-	-	-	Y
HA590036	149.85	115.00	(5)	71.42	72.77	-	-	-	-	-	-	Y
HA590037	5.90	4.51	M14x1.5 (5)	2.81	2.85	2.39	3.56	4.36	M10x1.5 (4)	Modified Rectangle	27	N
HA590038	149.78	114.63	(5)	71.46	72.40	60.65	90.35	110.67	(4)	Rectangle	33	Y
HA590039	8.08	6.50	9/16-18 (8)	4.77	4.81	2.15	4.49	5.59	M14x1.5 (4)	Square	33	Y
HA590040	205.17	165.10	(8)	121.07	122.30	54.60	114.17	141.99	(4)	Triangle	33	Y
HA590041	7.21	5.50	9/16x18 (5)	3.06	3.10	1.94	4.13	5.36	M14x1.5 (3)	Modified Triangle	33	Y
HA590042	183.00	139.70	(5)	77.67	78.70	49.15	104.90	136.04	(3)	Triangle	33	N
HA590043	7.21	5.50	9/16-18 (5)	3.06	3.09	1.94	4.13	5.31	M14x1.5 (3)	Modified Triangle	33	N
HA590044	183.00	139.70	(5)	77.67	78.38	49.35	105.02	134.88	(3)	Triangle	33	Y
HA590045	7.21	5.50	9/16-18 (5)	3.06	3.09	1.93	4.14	5.30	M14x1.5 (3)	Modified Triangle	33	Y
HA590046	183.00	139.70	(5)	77.67	78.40	48.95	105.04	134.66	(3)	Triangle	29	Y
HA590047	6.48	5.00	1/2-20 (5)	2.81	2.83	2.04	3.94	4.83	M12x1.75 (3)	Modified Triangle	29	Y
HA590048	164.67	127.00	(5)	71.41	71.96	51.90	100.12	122.79	(3)	Triangle	-	Y
HA590049	5.47	4.25	M12x1.5 (5)	2.49	2.53	-	-	-	-	-	-	Y
HA590050	139.00	107.95	(5)	63.21	64.38	-	-	-	-	-	-	Y
HA590051	6.66	5.50	M12x1.5 (6)	2.63	3.70	2.43	3.59	4.63	M12x1.25 (4)	Modified Trapezoid	33	N
HA590052	169.19	139.70	(6)	66.86	93.98	61.78	91.06	117.57	(4)	Trapezoid	-	Y
HA590053	5.32	3.94	M12x1.5 (5)	2.13	2.17	2.17	2.91	3.72	M10x1.25 (4)	Modified Trapezoid	-	Y
HA590054	135.00	100.00	(5)	54.14	55.07	55.02	73.91	94.40	(4)	Trapezoid	-	Y
HA590055	5.83	4.50	M12x1.25 (4)	2.60	2.68	-	-	-	-	-	-	Y
HA590056	148.00	114.30	(4)	65.94	68.03	-	-	-	-	-	-	Y
HA590057	5.83	4.50	M12x1.25 (5)	2.60	2.68	2.73	3.31	4.24	M12x1.25 (4)	Rectangle	29	Y
HA590058	148.00	114.30	(5)	65.92	67.96	69.22	83.98	107.81	(4)	Triangle	29	Y
HA590059	5.76	4.50	M12x1.25 (5)	2.60	2.68	2.73	3.30	4.25	M12x1.25 (4)	Rectangle	-	Y
HA590060	146.29	114.30	(5)	65.98	67.97	69.22	83.94	107.84	(4)	Triangle	29	Y
HA590061	5.35	4.50	M12x1.25 (5)	2.60	2.68	1.60	3.66	4.72	M12x1.25 (4)	Rectangle	29	Y
HA590062	136.00	114.30	(5)	65.95	68.12	40.72	92.98	119.88	(4)	Triangle	-	Y
HA590063	5.83	4.50	M12x1.25 (4)	2.60	2.68	-	-	-	-	-	-	Y
HA590064	148.00	114.30	(4)	66.05	68.10	-	-	-	-	-	-	Y
HA590065	5.73	4.54	M12x1.5 (5)	2.76	2.78	1.66	3.59	4.62	M12x1.75 (3)	Modified Triangle	33	N
HA590066	145.50	115.25	(5)	70.23	70.61	42.10	91.19	117.36	(3)	Triangle	30	Y
HA590067	5.73	4.53	M12x1.5 (5)	2.76	2.78	1.68	3.59	4.65	M12x1.75 (3)	Modified Triangle	30	Y
HA590068	145.61	115.00	(5)	70.05	70.58	42.60	91.24	118.00	(3)	Triangle	-	Y
HA590069	*	-	-	-	-	-	3.94	5.51	12.8(2)-12(2) (4)	Modified Trapezoid	-	Y
HA590070	7.25	5.50	M12X1.5 (6)	3.91	3.93	2.65	3.35	4.44	M12x1.75 (4)	Rectangle	-	Y
HA590071	184.16	139.70	(6)	99.43	99.94	67.35	85.08	112.73	(4)	Triangle	-	Y
HA590072	7.25	5.50	M12x1.5 (6)	3.92	3.94	2.65	3.35	4.45	M12x1.75 (4)	Rectangle	-	Y
HA590073	184.16	139.70	(6)	99.51	100.18	67.42	84.97	113.04	(4)	Triangle	-	N
HA590074	5.34	3.94	M12x1.5 (5)	2.03	2.13	-	1.40	-	-	-	-	N
HA590075	135.64	100.00	(5)	51.47	54.01	-	35.43	-	-	-	-	Y
HA590076	5.39	-	M12x1.5	2.56	2.68	-	-	4.25	-	-	-	Y
HA590077	136.86	-	-	64.97	67.95	-	-	107.95	-	-	-	Y
HA590078	7.25	5.50	M12x1.5 (6)	3.92	3.94	2.65	3.35	4.43	M12x1.5 (4)	Rectangle	-	Y
HA590079	184.16	139.70	(6)	99.53	100.03	67.35	84.98	112.60	(4)	Triangle	-	Y

\* Denotes a Bearing Module

## HUB ASSEMBLY / BEARING MODULE - Numerical Listing *continued*

Bearing Number	Flange Dia	Bolt Circle Dia	Bolt Size Qty	Wheel Pilot Dia	Brake Pilot Dia	Flange Offset	Hub Pilot Dia	Bolt Circle Dia	Bolt Hole Size (Qty)	Flange Shape	No. Of Spline	ABS (Y/N)
	A	B	C	D	E	F	G	H	I	J		
HA590059	7.25	5.50	M12x1.5	3.92	3.94	2.64	3.35	4.42	M12x1.75	Rectangle	-	Y
	184.16	139.70	(6)	99.50	100.02	67.12	85.05	112.25	(4)			
HA590060	7.25	5.50	M12x1.5	3.92	3.94	2.65	3.35	4.44	M12x1.75	Rectangle	27	Y
	184.16	139.70	(6)	99.52	100.08	67.40	85.02	112.73	(4)			
HA590061	7.25	5.50	M12x1.5	3.92	3.94	2.65	3.35	4.44	M12x1.75	Rectangle	-	Y
	184.16	139.70	(6)	99.56	100.13	67.30	84.99	112.70	(4)			
HA590062	7.25	5.50	M12x1.5	3.92	3.94	2.65	3.35	4.45	M12x1.75	Rectangle	-	Y
	184.16	139.70	(6)	99.53	100.09	67.26	85.02	113.04	(4)			
HA590063	5.32	3.94	M12x1.5	2.13	2.17	2.15	2.91	3.72	M10x1.25	Modified	-	Y
	135.00	100.00	(4)	54.02	55.02	54.60	73.94	94.40	(4)	Trapezoid		
HA590064	4.92	3.94	M12x1.5	2.13	2.16	1.65	3.07	4.06	M10x1.25	Modified	26	N
	125.00	100.00	(5)	54.02	54.98	41.96	78.04	103.11	(4)	Trapezoid		
HA590065	5.69	4.75	M12x1.5	2.76	2.78	1.85	3.62	4.75	M12x1.75	Modified	27	N
	144.50	120.65	(5)	70.10	70.60	47.00	91.98	120.65	(3)	Triangle		
HA590066	5.51	3.94	M12x1.5	2.22	2.24	3.08	2.36	-	M10x1.5	Modified	-	Y
	140.00	100.00	(4)	56.49	56.96	78.35	60.00		(4)	Trapezoid		
HA590067	5.51	3.94	M12x1.5	2.22	2.24	3.08	2.36	-	M10x1.5	Modified	-	N
	140.00	100.00	(4)	56.49	56.96	78.35	60.00		(4)	Trapezoid		
HA590070	5.39	4.33	M12x1.5	2.56	2.58	1.54	3.54	4.49	-	Modified	30	Y
	137.00	110.00	(5)	64.97	65.45	39.00	90.00	114.00		Triangle		
HA590071	5.39	4.33	M12x1.5	2.56	2.58	1.54	3.54	4.49	M12x1.75	Modified	30	N
	137.00	110.00	(5)	64.97	65.45	39.00	90.00	114.00	(3)	Triangle		
HA590072	5.43	4.50	M12x1.5	2.63	2.84	-	-	-	-	-	36	N
	138.00	114.30	(5)	66.92	72.01							
HA590073	5.93	4.53	M12x1.5	2.76	2.78	2.55	2.83	3.96	-	Rectangle	-	Y
	150.50	115.00	(5)	70.10	70.60	64.76	71.76	100.60				
HA590074	5.93	4.53	M12x1.5	2.76	2.78	2.55	2.83	3.96	-	Rectangle	-	N
	150.50	115.00	(5)	70.10	70.60	64.76	71.76	100.60				
HA590077	5.73	4.53	M12x1.5	2.76	2.78	1.66	3.60	4.57	M12x1.75	Modified	-	Y
	145.50	115.00	(6)	70.10	70.60	42.06	91.42	116.00	(3)	Triangle		
HA590078	5.73	4.53	M12x1.5	2.76	2.78	1.66	3.60	4.57	M12x1.75	Modified	30	Y
	145.50	115.00	(6)	70.10	70.60	42.06	91.42	116.00	(3)	Triangle		
HA590079	5.73	4.53	M12x1.5	2.76	2.78	1.66	3.60	4.57	M12x1.75	Modified	30	Y
	145.50	115.00	(6)	70.10	70.60	42.06	91.42	116.00	(3)	Triangle		
HA590080	5.51	4.33	M12x1.5	2.56	2.58	3.09	2.36	-	M10x1.5	Modified	-	Y
	140.00	110.00	(5)	64.97	65.45	78.50	60.00		(4)	Trapezoid		
HA590081	5.51	4.33	M12x1.5	2.56	2.58	3.09	2.36	3.31	M10x1.5	Offset	-	N
	140.00	110.00	(5)	64.97	65.45	78.50	60.00	84.00	(4)	Trapezoid		
HA590082	5.73	4.53	M12x1.5	2.76	2.78	1.66	3.60	4.57	M12x1.75	Modified	30	Y
	145.50	115.00	(6)	70.10	70.60	42.06	91.42	116.00	(3)	Triangle		
HA590083	5.73	4.75	M12x1.5	2.76	2.78	1.66	3.60	4.57	M12x1.75	Modified	-	Y
	145.50	120.65	(5)	70.10	70.60	42.06	91.42	116.00	(3)	Triangle		
HA590084	5.73	4.75	M12x1.5	2.76	2.78	1.66	3.60	4.57	M12x1.75	Modified	30	Y
	145.50	120.65	(5)	70.10	70.60	42.06	91.42	116.00	(3)	Triangle		
HA590085	5.73	4.53	M12x1.5	2.76	2.78	1.66	3.60	4.53	M12x1.75	Modified	33	N
	145.50	115.00	(5)	70.10	70.60	42.06	91.42	115.00	(3)	Triangle		
HA590086	5.39	4.33	M12x1.5	2.56	2.58	1.53	3.31	4.33	M12x1.75	Modified	33	Y
	137.00	110.00	(5)	64.97	65.45	38.95	84.10	110.00	(3)	Triangle		
HA590087	5.39	4.33	M12x1.5	2.56	2.58	1.53	3.27	4.33	M12x1.75	Modified	33	N
	137.00	110.00	(5)	64.97	65.45	38.95	83.00	110.00	(3)	Triangle		
HA590088	5.51	4.33	M12x1.5	2.56	2.58	3.09	2.36	-	M10x1.5	Modified	-	Y
	140.00	110.00	(5)	64.97	65.45	78.36	60.00		(4)	Trapezoid		
HA590089	5.51	4.33	M12x1.5	2.56	2.58	3.09	2.36	-	M10x1.5	Modified	-	N
	140.00	110.00	(5)	64.97	65.45	78.36	60.00		(4)	Trapezoid		
HA590090	5.73	4.53	M12x1.5	2.76	2.78	1.66	3.60	4.57	M12x1.75	Modified	30	Y
	145.50	115.00	(5)	70.10	70.60	42.06	91.42	116.00	(3)	Triangle		
HA590091	5.73	4.53	M12x1.5	2.76	2.78	1.66	3.60	4.57	M12x1.75	Modified	-	Y
	145.50	115.00	(5)	70.10	70.60	42.06	91.42	116.00	(3)	Triangle		

\* Denotes a Bearing Module

# HUB ASSEMBLY / BEARING MODULE - Numerical Listing *continued*

Bearing Number	Flange Dia	Bolt Circle Dia	Bolt Size Qty	Wheel Pilot Dia	Brake Pilot Dia	Flange Offset	Hub Pilot Dia	Bolt Circle Dia	Bolt Hole Size (Qty)	Flange Shape	No. Of Spline	ABS (Y/N)
	A	B	C	D	E	F	G	H	I	J		
HA590092	5.93	4.53	M12x1.5 (5)	2.76	2.78	2.56	2.83	3.96	0.46	Rectangle (4)	-	Y
	150.50	115.00		70.10	70.60	65.14	71.76	100.60	11.69			
HA590095	5.51	4.50	M12x1.5 (5)	2.63	2.83	-	-	-	-	-	-	N
	140.00	114.30		66.92	72.00							
HA590096	5.51	4.50	M12x1.5 (5)	2.64	2.84	2.15	2.91	3.75	M10x1.25 (4)	Modified Trapezoid	-	Y
	140.00	114.30		67.02	72.12	54.71	73.94	95.28				
HA590097	5.43	4.50	M12x1.5 (5)	2.64	2.83	-	-	-	-	-	36	Y
	138.00	114.30		67.08	71.97							
HA590098	5.59	4.50	M12x1.5 (5)	2.64	2.83	2.49	2.91	3.88	M10x1.25 (4)	Modified Trapezoid	-	N
	142.00	114.30		66.97	71.97	63.20	74.02	98.48				
HA590099	5.59	4.50	M12x1.5 (5)	2.64	2.83	2.49	2.91	3.82	M10x1.25 (4)	Modified Trapezoid	-	Y
	142.00	114.30		67.04	71.97	63.17	74.03	96.96				
HA590100	5.51	4.50	M12x1.5 (5)	2.64	2.84	-	-	-	-	-	-	Y
	140.00	114.30		66.95	72.02							
HA590101	5.43	4.50	M12x1.5 (4)	2.64	3.54	-	-	-	-	-	-	Y
	138.00	114.30		66.95	90.03							
HA590102	5.15	-	-	2.55	2.67	-	-	-	-	-	-	N
	130.71		(4)	64.85	67.84							
HA590103	5.43	4.51	M12x1.5 (5)	2.58	3.54	-	-	-	-	-	-	Y
	138.00	114.63		65.58	89.98							
HA590104	4.85	3.93	M12x1.5 (4)	2.19	2.52	-	-	-	-	-	-	Y
	123.20	99.82		55.57	63.98							
HA590105	5.43	4.50	M12x1.5 (5)	2.64	3.54	2.34	3.31	4.08	M10x1.25 (4)	Rectangle	25	N
	138.00	114.30		67.02	90.01	59.33	84.03	103.69				
HA590107	5.39	4.50	M12x1.5 (5)	2.64	3.54	2.35	2.60	3.56	M10x1.25 (4)	Modified Trapezoid	-	Y
	137.00	114.30		66.94	89.99	59.70	66.03	90.30				
HA590108	5.59	4.50	M12x1.5 (5)	2.64	2.71	1.60	3.43	4.42	M12x1.25 (4)	Rectangle	27	N
	142.00	114.30		67.04	68.92	40.72	87.04	112.30				
HA590109	5.83	4.50	M12x1.25 (5)	2.59	2.67	2.73	3.31	4.23	M12x1.25 (4)	Rectangle	-	Y
	148.00	114.30		65.91	67.92	69.31	84.00	107.49				
HA590110	5.83	4.50	13.20 (4)	2.60	2.68	-	-	-	-	-	-	N
	148.00	114.30		66.01	67.96							
HA590111	5.83	4.50	M12x1.25 (5)	2.60	2.68	2.72	3.31	4.23	M12x1.25 (4)	Modified Trapezoid	-	Y
	148.00	114.30		65.96	67.98	69.09	84.00	107.35				
HA590112	5.47	4.50	M12x1.5 (4)	2.22	2.36	2.48	2.59	3.39	M10x1.25 (4)	Modified Trapezoid	-	Y
	139.00	114.30		56.46	59.94	62.98	65.85	86.22				
HA590113	5.47	4.50	M12x1.5 (4)	2.22	2.36	2.48	2.59	3.45	M10x1.25 (4)	Modified Trapezoid	-	N
	139.00	114.30		56.50	59.96	63.05	65.82	87.58				
HA590114	5.47	4.50	M12x1.5 (4)	2.22	2.36	2.51	2.60	3.45	M10x1.25 (4)	Modified Trapezoid	-	N
	139.00	114.30		56.47	59.97	63.70	65.92	87.52				
HA590115	5.47	4.50	M12x1.5 (4)	2.23	2.36	1.46	3.59	4.50	M12x1.5 (4)	Modified Triangle	28	Y
	139.00	114.30		56.58	60.03	37.05	91.29	114.25				
HA590118	4.88	3.94	M12x1.25 (5)	2.22	2.28	1.93	2.99	-	M12x1.25 (4)	Modified Trapezoid	-	Y
	124.05	100.00		56.32	58.02	49.08	75.93					
HA590119	4.88	3.93	M12x1.25 (5)	2.21	2.28	2.58	3.31	4.21	M12x1.25 (4)	Rectangle	25	Y
	124.05	99.93		56.03	57.98	65.60	83.98	106.88				
HA590120	5.43	4.50	M12x1.5 (5)	2.64	2.71	2.33	3.46	4.41	M12x1.25 (4)	Modified Trapezoid	25	N
	138.00	114.30		66.98	68.96	59.25	87.99	112.10				
HA590121	5.63	4.50	M12x1.5 (5)	2.64	2.80	-	-	-	-	-	-	Y
	143.00	114.30		66.95	71.00							
HA590122	5.58	4.50	M12x1.25 (5)	2.59	2.67	-	-	-	-	-	-	Y
	141.73	114.30		65.90	67.94							
HA590123	5.83	4.50	M12x1.25 (4)	2.60	2.68	-	-	-	-	-	-	Y
	148.00	114.30		65.93	67.95							
HA590124	5.35	4.50	M12x1.25 (5)	2.60	2.67	1.61	3.66	4.71	M12x1.25 (4)	Rectangle	-	Y
	136.00	114.30		65.95	67.92	40.77	92.97	119.58				
HA590125	5.35	4.50	M12x1.25 (5)	2.60	2.68	1.60	3.66	4.72	M12x1.25 (4)	Rectangle	27	Y
	136.00	114.30		65.96	67.95	40.65	92.96	119.85				

HUB TECHNOLOGY



## HUB ASSEMBLY / BEARING MODULE - Numerical Listing *continued*

Bearing Number	Flange Dia	Bolt Circle Dia	Bolt Size Qty	Wheel Pilot Dia	Brake Pilot Dia	Flange Offset	Hub Pilot Dia	Bolt Circle Dia	Bolt Hole Size (Qty)	Flange Shape	No. Of Spline	ABS (Y/N)
	A	B	C	D	E	F	G	H	I	J		
HA590126	5.51	4.50	M12x1.25 (5)	2.59	2.68	-	-	-	-	-	-	Y
	140.00	114.30		65.89	67.95							
HA590127	5.35	4.50	M12x1.25 (5)	2.59	2.68	1.60	3.31	4.20	M12x1.25 (4)	Rectangle	-	Y
	136.00	114.30		65.91	67.95	40.75	84.00	106.74				
HA590128	5.43	4.50	M12x1.5 (5)	2.64	2.71	2.33	2.60	3.53	M10x1.25 (4)	Modified Trapezoid	-	Y
	138.00	114.30		67.03	68.95	59.29	65.98	89.67				
HA590155K	5.43	3.94	M12x1.5 (4)	2.24	2.35	-	1.54	-	-	-	31	N
	137.87	100.00		56.90	59.69		39.07					
HA590156K	5.43	3.94	M12x1.5 (4)	2.24	2.35	-	1.54	-	-	-	33	N
	137.92	100.00		56.99	59.74		39.08					
HA590160	5.10	3.94	M12x1.5 (4)	2.12	2.30	-	-	-	-	-	33	N
	129.59	100.00		53.90	58.42							
HA590181K	4.95	3.93	M12x1.7 (4)	2.24	2.40	-	-	-	-	-	23	N
	125.73	99.72		57.00	60.96							
HA590182K	4.95	3.94	M12x1.5 (5)	2.24	2.40	-	-	-	-	-	-	N
	125.73	100.00		57.00	60.96							
HA590197	5.50	4.50	M12x1.5 (5)	2.81	2.89	1.48	3.43	4.41	-	Modified Rectangle	26	N
	139.70	114.30		71.37	73.28	37.47	87.00	112.01	(4)			
HA590209	5.43	4.46	M12x1.5 (4)	2.64	3.55	2.33	2.82	-	-	Rectangle	-	Y
	138.00	113.33		66.93	90.12	59.18	71.67					
HA590225	5.48	4.25	M12x1.5 (5)	2.49	2.80	1.75	2.99	3.98	M12x1.5 (4)	Modified Rectangle	-	Y
	139.10	107.95		63.28	71.00	44.50	76.00	101.00				
HA590241K	5.35	-	2.55	2.69	2.69	1.50	2.93	4.04	-	Modified Rectangle	-	Y
	135.79		64.80	68.38	68.38	38.10	74.42	102.49				
HA590248	5.47	4.75	M12x2 (5)	2.80	2.89	1.48	3.43	4.25	-	Rectangle Rectangle	26	N
	139.00	120.65		71.12	73.41	37.59	87.00	107.95	(4)			
HA590301K	5.00	3.60	M12x1.5 (4)	2.13	2.13	-	1.50	-	-	-	-	-
	127.00	91.44		53.98	53.98		38.00					
HA590306	5.43		(5)			2.40		3.54	-			Y
	138.00					60.96		90.00	(4)			
HA590352	7.85	6.50	M14x1.5 (8)	4.59	4.64	2.57	3.48	5.51	-	-	-	Y
	199.30	165.10		116.64	117.84	65.35	88.32	140.00	(4)			
HA590353	7.85	6.50	M14x1.5 (8)	4.59	4.64	2.57	3.48	5.51	-	-	-	Y
	199.30	165.10		116.64	117.84	65.35	88.32	140.00				
HA590644	6.54	5.50	M12x1.5 (6)	3.94	3.98	3.01	3.27	4.41	M12x1.25 (4)	Modified Rectangle	-	N
	166.00	139.70		100.00	101.00	76.50	83.00	112.00				
HA590653	6.54	5.50	M12x1.5 (6)	3.94	3.98	3.01	3.27	4.41	M12x1.25 (4)	Modified Rectangle	-	Y
	166.00	139.70		100.00	101.00	76.50	83.00	112.00				
HA591050	6.06	4.50	M12x1.5 (5)	2.36	2.44	2.66	3.31	4.41	M12x1.25 (4)	Rectangle	-	N
	154.00	114.30		60.00	62.00	67.50	84.00	112.00				
HA591339	8.19	6.50	-	4.59	-	2.69	4.17	-	M14x1.5 (4)	Rectangle	33	N
	208.00	165.10		116.59		68.33	105.79					
HA592450	5.98	4.50	-	2.36	2.44	2.93	2.91	3.90	0.413	Modified Trapezoid	-	Y
	152.00	114.30	(5)	60.00	62.00	74.50	74.00	99.00	10.50(4)			
HA592519	5.47	4.72	M12x1.5 (5)	2.85	3.11	1.77	3.22	-	-	-	-	N
	139.00	120.00		72.50	79.00	45.00	81.70					
HA593427	5.47	4.72	M12x1.5 (5)	2.91	3.11	2.00	3.54	-	M12x1.5	-	-	N
	139.00	120.00		74.00	79.00	50.75	90.00					
HA593550	5.51	4.50	M12x1.5 (5)	2.36	2.44	2.17	2.91	4.41	M12x1.25 (4)	Modified Rectangle	-	Y
	140.00	114.30		60.00	62.00	55.00	74.00	112.00				
HA594181	5.35	4.25	-	2.56	2.68	1.69	3.29	4.06	-	Modified Rectangle	-	N
	136.00	108.00	(5)	65.00	68.00	43.00	83.50	103.00	(4)			
HA594241	5.98	4.50	-	2.36	2.44	2.72	3.31	4.17	0.42	Modified Trapezoid	-	N
	152.00	114.30	(5)	60.00	62.00	69.00	84.00	106.00	10.70(4)			
HA594245	5.31	3.94	M12x1.5 (4)	2.13	2.17	2.15	2.64	3.62	M10x1.25 (4)	Modified Trapezoid	-	Y
	135.00	100.00		54.00	55.00	54.50	67.00	92.00				
HA594246	*	-	-	-	-	-	3.94	5.51	-	Modified Trapezoid	-	-
							100.00	140.00	(4)			

\* Denotes a Bearing Module

# HUB ASSEMBLY / BEARING MODULE - Numerical Listing *continued*

Bearing Number	Flange Dia	Bolt Circle Dia	Bolt Size Qty	Wheel Pilot Dia	Brake Pilot Dia	Flange Offset	Hub Pilot Dia	Bolt Circle Dia	Bolt Hole Size (Qty)	Flange Shape	No. Of Spline	ABS (Y/N)
	A	B	C	D	E	F	G	H	I	J		
HA594460K	5.45	3.94	M12x1.5	2.21	2.39	-	-	-	-	-	26	
	138.50	100.00	(4)	56.08	60.86							
HA594504	5.98	4.50	-	2.36	2.44	2.72	3.31	4.17	0.42	Modified	-	Y
	152.00	114.30	(5)	60.00	62.00	69.00	84.00	106.00	10.70(4)	Trapezoid		
HA595017	4.92	3.94	-	2.13	2.17	2.19	2.64	3.62	M10x1.25	Modified	-	Y
	125.00	100.00	(4)	54.00	55.00	55.50	67.00	92.00	(4)	Rectangle		
HA595894	5.35	4.25	-	2.56	2.68	1.69	3.27	4.06	-	Modified	-	N
	136.00	108.00	(4)	65.00	68.00	43.00	83.00	103.00	(4)	Rectangle		
HA596060	*	-	-	-	-	-	3.78	5.20	0.49	Rectangle	-	-
							96.00	132.00	-			
HA596467	5.39	-	-	2.60	2.82	-	2.99	-	-	-	-	Y
	137.00		(5)	65.96	71.66		76.03					
HA597060	*	-	-	-	-	-	3.78	5.20	0.492	Rectangle	-	-
							96.00	132.00	(3)			
HA597449	5.98	4.50	1/2-20	2.81	2.83	1.91	3.70	4.75	M12x1.75	Modified	27	N
	152.00	114.30	(5)	71.43	71.93	48.46	94.00	120.65	(3)	Triangle		
HA597851	8.19	6.50	-	4.77	-	2.20	3.91	-	M14x1.5	Modified	33	
	208.00	165.10	(8)	121.06		55.88	99.19		(3)	Triangle		
HA598679	6.49	5.00	1/2-20	2.81	2.83	2.12	3.94	4.75	M12x1.75	Modified	27	N
	164.75	127.00	(5)	71.43	71.93	53.80	100.13	120.65	(3)	Triangle		
HA599361	6.31	4.50	-	2.81	2.89	2.11	3.50	-	M14x1.5	Modified	31	N
	160.27	114.30	(6)	71.37	73.41	53.49	88.90		(3)	Triangle		
HA599406	6.31	4.50	1/2-20	2.81	2.89	2.27	-	-	-	-	-	Y
	160.27	114.30	(6)	71.37	73.28	57.68						
HA599455L	-	-	1/2-20	-	-	-	3.94	-	M12x1.75	Modified		N
			(5)				100.13		(3)	Triangle		
HA599455R	-	-	1/2-20	-	-	-	3.94	-	M12x1.75	Modified		N
			(5)				100.13		(3)	Triangle		
HA599467	-	-	1/2-20	-	-	-	3.94	-	M12x1.75	Modified		N
			(5)				100.13		(3)	Triangle		
HA599528	6.31	4.50	1/2-20	2.81	2.89	2.27	-	-	-	-	-	N
	160.27	114.30	(6)	71.37	73.28	57.68						
HA599863	7.20	5.50	1/2-20	3.06	3.09	2.23	3.91	4.96	-	Modified	33	N
	183.00	139.70	(5)	77.66	78.40	56.64	99.30	126.00	(3)	Triangle		
SP450100	6.31	4.50	-	2.81	2.89	2.11	3.50	-	M14x1.5	Modified	31	Y
	160.27	114.30	(6)	71.37	73.41	53.49	88.90		(3)	Triangle		
SP450101	6.31	4.50	-	2.81	2.89	2.11	3.50	-	M14x1.5	Modified	31	Y
	160.27	114.30	(6)	71.37	73.41	53.49	88.90		(3)	Triangle		
SP450200	5.93	4.50	1/2-20	2.77	2.83	2.22	3.94	4.75	M12x1.75	Modified	27	Y
	150.50	114.30	(5)	70.46	71.88	56.26	100.08	120.65	(3)	Triangle		
SP450201	4.75	4.50	M12X1.75						(3)	Modified	-	Y
	120.65	114.30	(5)							Triangle		
SP450202	4.75	4.50	1/2-20	-	-	-	-	-	-	Modified	-	Y
	120.65	114.30	(5)						(3)	Triangle		
SP450203	5.88	4.50	1/2-20	2.77	2.84	2.22	3.94	4.81	M12x1.75	Modified	27	Y
	149.44	114.30	(5)	70.40	72.11	56.38	100.10	122.16	(3)	Triangle		
SP450300	5.77	4.75	M12x1.5	2.75	2.78	1.85	3.50	4.75	(3)	Modified	-	Y
	146.50	120.65	(5)	70.10	70.60	47.10	89.00	120.65		Triangle		
SP450301												
SP500100	7.22	5.50	9/16x18	3.06	3.09	1.85	3.54	4.96	M14x1.5	Modified	33	Y
	183.30	139.70	(5)	77.70	78.42	47.08	90.04	126.00	(3)	Triangle		
SP550100	6.77	5.50	1/2-20	3.06	3.09	2.01	3.91	4.96	M14x1.5	Modified	33	Y
	172.00	139.70	(5)	77.72	78.49	50.98	99.31	125.98	(3)	Triangle		
SP550101	6.77	5.50	1/2-20	3.06	3.09	2.01	3.91	4.96	M14x1.5	Modified	33	Y
	172.00	139.70	(5)	77.72	78.49	50.98	99.31	125.98	(3)	Triangle		
SP550102	7.20	5.50	1/2-20	3.06	3.09	2.23	3.91	4.96	M14x1.5	Modified	33	Y
	183.00	139.70	(5)	77.66	78.37	56.64	99.31	126.00	(3)	Triangle		

HUB TECHNOLOGY

## HUB ASSEMBLY / BEARING MODULE - Numerical Listing *continued*

Bearing Number	Flange Dia	Bolt Circle Dia	Bolt Size Qty	Wheel Pilot Dia	Brake Pilot Dia	Flange Offset	Hub Pilot Dia	Bolt Circle Dia	Bolt Hole Size (Qty)	Flange Shape	No. Of Spline	ABS (Y/N)
	A	B	C	D	E	F	G	H	I	J		
SP550200	7.17	5.32	-	3.42	3.54	1.94	3.91	4.96	M14x1.5	Modified	33	Y
	182.00	135.03	(5)	86.74	89.97	49.28	99.31	125.88	(3)	Triangle		
SP550201	7.13	5.32	-	3.42	3.64	1.96	3.91	4.96	M14x1.5	Modified	33	Y
	181.20	135.03	(5)	86.74	92.33	49.71	99.31	125.88	(3)	Triangle		
SP550202	7.21	5.32	M14x2.0	3.42	3.54	1.79	3.91	6.28	M14x1.5	Square	-	Y
	183.00	135.03	(6)	86.85	89.88	45.58	99.32	159.51	(4)			
SP550203	7.20	5.31	M14x2.0	3.43	3.54	2.19	3.91	5.38	M14x1.5	Rectangle	33	Y
	182.84	134.76	(6)	87.03	90.01	55.75	99.35	136.76	(4)			
SP550304	7.09	5.50	M14x1.5	3.06	3.09	1.96	3.91	4.96	M14x1.5	Modified	33	Y
	180.00	139.70	(6)	77.84	78.36	50.00	99.31	126.00	(3)	Triangle		
SP550307	7.17	5.50	M14x1.5	3.06	3.09	2.23	3.91	5.00	-	Modified	33	Y
	181.99	139.70	(6)	77.66	78.37	56.64	99.31	127.00	(3)	Triangle		
SP550308	6.31	5.00	M14x1.5	3.06	3.09	2.94	3.91	5.00	-	Modified	33	Y
	160.27	127.00	(5)	77.66	78.37	74.68	99.31	127.00	(3)	Triangle		
SP550309	7.09	5.50	M14x1.5	3.08	3.09	1.97	3.91	4.91	M14x1.5	Modified	33	Y
	180.00	139.70	(6)	78.24	78.46	50.09	99.35	124.80	(3)	Triangle		
SP550310	7.09	5.50	M14x1.5	3.08	3.09	1.96	3.91	4.94	M14x1.5	Modified	33	Y
	180.00	139.70	(6)	78.32	78.60	49.90	99.32	125.42	(3)	Triangle		
SP580100	8.37	6.50	9/16x18	4.77	-	2.97	4.48	5.51	M14x1.5	Rectangle	33	Y
	212.50	165.10	(8)	121.04		75.52	113.86	140.00	(4)			
SP580101	8.37	6.50	9/16x18	4.77	-	2.97	4.48	5.51	M14x1.5	Rectangle	33	Y
	212.50	165.10	(8)	121.04		75.52	113.86	140.00	(4)			
SP580102	8.19	6.50	9/16x18	4.59	-	2.69	4.48	5.51	M14x1.5	Rectangle	33	Y
	208.00	165.10	(8)	116.64		68.25	113.86	140.00	(4)			
SP580103	8.19	6.50	9/16x18	4.59	-	2.69	4.48	5.51	M14x1.5	Rectangle	33	Y
	208.00	165.10	(8)	116.64	68.25	113.86	140.00		(4)			
SP580300	8.19	6.50	0.6	4.59	-	2.69	4.17	5.51	M14x1.5	Rectangle	33	Y
	208.03	165.10	(8)	116.59	68.33	105.79	140.00		(4)			
SP580301	8.19	6.50	0.6	4.59	-	2.69	4.17	-	M14x1.5	Rectangle	33	Y
	208.03	165.10	(8)	116.59		68.33	105.79		(4)			
SP580302	8.19	6.50	0.6	4.59	-	2.69	4.17	-	M14x1.5	Rectangle	33	Y
	208.03	165.10	(8)	116.59		68.33	105.79		(4)			
SP580303	8.19	6.50	0.6	4.59	-	2.69	4.17	-	M14x1.5	Rectangle	33	Y
	208.03	165.10	(8)	116.59		68.33	105.79		(4)			
SP580304	8.19	6.50	M14x1.5	4.59	4.65	2.68	4.17	5.51	-	Rectangle	33	Y
	208.00	165.10	(8)	116.64	118.11	68.00	105.80	140.00	(4)			
SP580305	7.85	6.50	M14x1.5	4.59	4.65	2.31	4.17	5.51	M14x1.5	Square	-	Y
	199.40	165.10	(8)	116.64	118.11	58.60	105.80	140.00	(4)			
SP580306	7.85	6.50	M14x1.5	4.59	4.65	2.30	4.17	5.51	M14x1.5	Square	-	Y
	199.40	165.10	(8)	116.64	118.11	58.35	105.80	140.00	(4)			
SP580307	7.85	6.50	M14x1.5	4.59	4.65	2.58	4.17	5.51	M14x1.5	Rectangle	-	Y
	199.40	165.10	(8)	116.64	118.11	65.55	105.80	140.00	(4)			
SP580308	7.85	6.50	M14x1.5	4.59	4.65	2.28	4.17	5.51	M14x1.5	Square	-	Y
	199.40	165.10	(8)	116.64	118.11	57.94	105.80	140.00	(4)			
SP580309	7.85	6.50	M14x1.5	4.59	4.65	2.29	4.17	5.51	M14x1.5	Square	33	Y
	199.40	165.10	(8)	116.64	118.11	58.25	105.80	140.00	(4)			

\* Denotes a Bearing Module



# HUB ASSEMBLY

*PHOTOS AND INSTALLATION SKILL LEVELS*



## HUB ASSEMBLY - PHOTOS AND INSTALLATION SKILL LEVELS

This section is designed to not only provide you with an easy image reference section for part identification, but also to describe the very specific 'skill level' that may be required for each installation. The different 'skill levels' demonstrate that some hub assemblies and bearing modules require special tools and/or equipment such as a hydraulic press, which may not be found in the standard shop environment. In the example below, you can see the reference to the required 'skill level' by part number in the bottom right section of each image.

If you require more detailed product specifications for each hub assembly or bearing module, it can be found in the Hub Assembly – Diagrams and Specifications section.



*Example of how to use the Hub Skill Level Section.*

- SKILL LEVEL A** High, professional technician and/or previous repair experience - may require special tools, equipment or processes.
- SKILL LEVEL B** Moderate, above average mechanical skills.
- SKILL LEVEL C** Low, basic automotive repair experience - average mechanical skills.

**WARNING:** Follow the equipment manufacturer's installation instructions. Do not attempt to take apart the hub assembly. Failure to follow installation instructions, guidelines and warnings can cause equipment failure, creating a risk of serious bodily harm.

# HUB ASSEMBLY - PHOTOS AND INSTALLATION SKILL LEVELS

510038 - Bearing Module



SKILL LEVEL A

511011 - Bearing Module



SKILL LEVEL A

511012 - Bearing Module



SKILL LEVEL A

512000 - Hub Assembly



SKILL LEVEL B

512001 - Hub Assembly



SKILL LEVEL B

512002 - Hub Assembly



SKILL LEVEL B

512003 - Hub Assembly



SKILL LEVEL B

512004 - Hub Assembly



SKILL LEVEL B

512006 - Hub Assembly



SKILL LEVEL B

## HUB ASSEMBLY - PHOTOS AND INSTALLATION SKILL LEVELS

512007 - Hub Assembly



SKILL LEVEL B

512008 - Hub Assembly



SKILL LEVEL B

512009 - Bearing Module



SKILL LEVEL A

512010 - Hub Assembly



SKILL LEVEL B

512011 - Hub Assembly



SKILL LEVEL B

512012 - Hub Assembly



SKILL LEVEL B

512013 - Hub Assembly



SKILL LEVEL B

512014 - Bearing Module



SKILL LEVEL A

512016 - Hub Assembly



SKILL LEVEL B

# HUB ASSEMBLY - PHOTOS AND INSTALLATION SKILL LEVELS

512017 - Hub Assembly



SKILL LEVEL B

512020 - Hub Assembly



SKILL LEVEL B

512021 - Hub Assembly



SKILL LEVEL B

512022 - Hub Assembly



SKILL LEVEL B

512023 - Hub Assembly



SKILL LEVEL B

512024 - Hub Assembly



SKILL LEVEL B

512025 - Hub Assembly



SKILL LEVEL B

512026 - Hub Assembly



SKILL LEVEL B

512027 - Hub Assembly



SKILL LEVEL B

HUB TECHNOLOGY

## HUB ASSEMBLY - PHOTOS AND INSTALLATION SKILL LEVELS

512029 - Hub Assembly



SKILL LEVEL B

512030 - Hub Assembly



SKILL LEVEL B

512031 - Hub Assembly



SKILL LEVEL B

512032 - Hub Assembly



SKILL LEVEL B

512033 - Hub Assembly



SKILL LEVEL B

512034 - Hub Assembly



SKILL LEVEL B

512036 - Hub Assembly



SKILL LEVEL B

512038 - Bearing Module



SKILL LEVEL A

512040 - Hub Assembly



SKILL LEVEL B



# HUB ASSEMBLY - PHOTOS AND INSTALLATION SKILL LEVELS

512041 - Hub Assembly



SKILL LEVEL B

512078 - Hub Assembly



SKILL LEVEL B

512105 - Hub Assembly



SKILL LEVEL B

512106 - Hub Assembly



SKILL LEVEL B

512107 - Hub Assembly



SKILL LEVEL B

512118 - Hub Assembly



SKILL LEVEL B

512119 - Hub Assembly



SKILL LEVEL B

512120 - Hub Assembly



SKILL LEVEL B

512121 - Hub Assembly



SKILL LEVEL B

HUB TECHNOLOGY

## HUB ASSEMBLY - PHOTOS AND INSTALLATION SKILL LEVELS

512122 - Hub Assembly



SKILL LEVEL B

512123 - Hub Assembly



SKILL LEVEL B

512125 - Hub Assembly



SKILL LEVEL B

512133 - Hub Assembly



SKILL LEVEL B

512136 - Bearing Module



SKILL LEVEL A

512137 - Bearing Module



SKILL LEVEL A

512145 - Hub Assembly



SKILL LEVEL B

512147 - Hub Assembly



SKILL LEVEL B

512148 - Hub Assembly



SKILL LEVEL B



# HUB ASSEMBLY - PHOTOS AND INSTALLATION SKILL LEVELS

512149 - Hub Assembly



SKILL LEVEL B

512153 - Hub Assembly



SKILL LEVEL B

512154 - Hub Assembly



SKILL LEVEL B

512155 - Hub Assembly



SKILL LEVEL B

512157 - Hub Assembly



SKILL LEVEL B

512159 - Hub Assembly



SKILL LEVEL B

512160 - Hub Assembly



SKILL LEVEL B

512161 - Hub Assembly



SKILL LEVEL B

512162 - Hub Assembly



SKILL LEVEL B

HUB TECHNOLOGY

## HUB ASSEMBLY - PHOTOS AND INSTALLATION SKILL LEVELS

512163 - Hub Assembly



SKILL LEVEL B

512164 - Hub Assembly



SKILL LEVEL B

512165 - Hub Assembly



SKILL LEVEL B

512167 - Hub Assembly



SKILL LEVEL B

512168 - Hub Assembly



SKILL LEVEL B

512169 - Hub Assembly



SKILL LEVEL B

512170 - Hub Assembly



SKILL LEVEL B

512171 - Hub Assembly



SKILL LEVEL B

512172 - Hub Assembly



SKILL LEVEL B

# HUB ASSEMBLY - PHOTOS AND INSTALLATION SKILL LEVELS

512173 - Hub Assembly



SKILL LEVEL B

512174 - Hub Assembly



SKILL LEVEL B

512175 - Hub Assembly



SKILL LEVEL B

512176 - Hub Assembly



SKILL LEVEL B

512177 - Hub Assembly



SKILL LEVEL B

512178 - Hub Assembly



SKILL LEVEL B

512180 - Hub Assembly



SKILL LEVEL B

512181 - Bearing Module



SKILL LEVEL A

512182 - Hub Assembly



SKILL LEVEL A

HUB TECHNOLOGY

## HUB ASSEMBLY - PHOTOS AND INSTALLATION SKILL LEVELS

512183 - Bearing Module



SKILL LEVEL A

512184 - Hub Assembly



SKILL LEVEL B

512186 - Hub Assembly



SKILL LEVEL B

512187 - Hub Assembly



SKILL LEVEL A

512223 - Hub Assembly



SKILL LEVEL B

512236 - Hub Assembly



SKILL LEVEL B

512237 - Hub Assembly



SKILL LEVEL B

513003 - Hub Assembly



SKILL LEVEL B

513004K - Hub Assembly



SKILL LEVEL B

## HUB ASSEMBLY - PHOTOS AND INSTALLATION SKILL LEVELS

513011K - Hub Assembly



SKILL LEVEL B

513012 - Hub Assembly



SKILL LEVEL B

513013 - Hub Assembly



SKILL LEVEL B

513016K - Hub Assembly



SKILL LEVEL B

513017K - Hub Assembly



SKILL LEVEL B

513018 - Hub Assembly



SKILL LEVEL B

513020 - Hub Assembly



SKILL LEVEL B

513030 - Hub Assembly



SKILL LEVEL B

513033 - Hub Assembly



SKILL LEVEL B

## HUB ASSEMBLY - PHOTOS AND INSTALLATION SKILL LEVELS

513035 - Hub Assembly



SKILL LEVEL B

513039 - Hub Assembly



SKILL LEVEL B

513041 - Hub Assembly



SKILL LEVEL B

513042 - Hub Assembly



SKILL LEVEL B

513048 - Hub Assembly



SKILL LEVEL B

513049 - Hub Assembly



SKILL LEVEL B

513050 - Hub Assembly



SKILL LEVEL B

513059 - Hub Assembly



SKILL LEVEL B

513061 - Hub Assembly



SKILL LEVEL B



## HUB ASSEMBLY - PHOTOS AND INSTALLATION SKILL LEVELS

513062 - Hub Assembly



SKILL LEVEL B

513063 - Hub Assembly



SKILL LEVEL B

513070 - Hub Assembly



SKILL LEVEL B

513072 - Hub Assembly



SKILL LEVEL B

513074 - Hub Assembly



SKILL LEVEL B

513075 - Hub Assembly



SKILL LEVEL B

513076 - Hub Assembly



SKILL LEVEL B

513077 - Hub Assembly



SKILL LEVEL B

513078 - Hub Assembly



SKILL LEVEL B

## HUB ASSEMBLY - PHOTOS AND INSTALLATION SKILL LEVELS

513080 - Hub Assembly



SKILL LEVEL B

513081 - Hub Assembly



SKILL LEVEL B

513082 - Hub Assembly



SKILL LEVEL B

513084 - Hub Assembly



SKILL LEVEL B

513087 - Hub Assembly



SKILL LEVEL B

513088 - Hub Assembly



SKILL LEVEL B

513089 - Hub Assembly



SKILL LEVEL B

513090 - Hub Assembly



SKILL LEVEL B

513092 - Hub Assembly



SKILL LEVEL B



## HUB ASSEMBLY - PHOTOS AND INSTALLATION SKILL LEVELS

513093 - Bearing Module



SKILL LEVEL A

513094 - Hub Assembly



SKILL LEVEL B

513095 - Hub Assembly



SKILL LEVEL B

513096 - Hub Assembly



SKILL LEVEL B

513098 - Bearing Module



SKILL LEVEL A

513099 - Bearing Module



SKILL LEVEL A

513100 - Hub Assembly



SKILL LEVEL B

513104 - Hub Assembly



SKILL LEVEL B

513105 - Hub Assembly



SKILL LEVEL B

## HUB ASSEMBLY - PHOTOS AND INSTALLATION SKILL LEVELS

513107 - Hub Assembly



SKILL LEVEL B

513109 - Hub Assembly



SKILL LEVEL B

513111 - Hub Assembly



SKILL LEVEL A

513115 - Hub Assembly



SKILL LEVEL B

513121 - Hub Assembly



SKILL LEVEL B

513122 - Hub Assembly



SKILL LEVEL B

513123 - Hub Assembly



SKILL LEVEL B

513124 - Hub Assembly



SKILL LEVEL B

513125 - Hub Assembly



SKILL LEVEL B

# HUB ASSEMBLY - PHOTOS AND INSTALLATION SKILL LEVELS

513126 - Hub Assembly



SKILL LEVEL B

513127 - Hub Assembly



SKILL LEVEL B

513128 - Hub Assembly



SKILL LEVEL B

513131 - Hub Assembly



SKILL LEVEL B

513133 - Hub Assembly



SKILL LEVEL B

513135 - Bearing Module



SKILL LEVEL A

513137 - Hub Assembly



SKILL LEVEL B

513138 - Hub Assembly



SKILL LEVEL B

513139 - Hub Assembly



SKILL LEVEL B

## HUB ASSEMBLY - PHOTOS AND INSTALLATION SKILL LEVELS

513142 - Hub Assembly



SKILL LEVEL B

513152 - Hub Assembly



SKILL LEVEL B

513153 - Hub Assembly



SKILL LEVEL B

513155 - Hub Assembly



SKILL LEVEL B

513156 - Hub Assembly



SKILL LEVEL B

513160 - Hub Assembly



SKILL LEVEL B

513189 - Hub Assembly



SKILL LEVEL B

513202 - Hub Assembly



SKILL LEVEL B

515000 - Hub Assembly



SKILL LEVEL B

# HUB ASSEMBLY - PHOTOS AND INSTALLATION SKILL LEVELS

515001 - Hub Assembly



SKILL LEVEL B

515002 - Hub Assembly



SKILL LEVEL B

515005 - Hub Assembly



SKILL LEVEL B

515006 - Hub Assembly



SKILL LEVEL B

515014 - Hub Assembly



SKILL LEVEL B

515017 - Hub Assembly



SKILL LEVEL B

515020 - Hub Assembly



SKILL LEVEL B

515022 - Hub Assembly



SKILL LEVEL B

515026 - Hub Assembly



SKILL LEVEL B

## HUB ASSEMBLY - PHOTOS AND INSTALLATION SKILL LEVELS

515028 - Hub Assembly



SKILL LEVEL B

515029 - Hub Assembly



SKILL LEVEL B

515030 - Hub Assembly



SKILL LEVEL B

515031 - Hub Assembly



SKILL LEVEL B

520000 - Hub Assembly



SKILL LEVEL A

520100 - Hub Assembly



SKILL LEVEL A

BM500000 - Bearing Module



SKILL LEVEL A

BM500001 - Bearing Module



SKILL LEVEL A

BM500002 - Bearing Module



SKILL LEVEL A



# HUB ASSEMBLY - PHOTOS AND INSTALLATION SKILL LEVELS

BM500003 - Bearing Module



SKILL LEVEL A

BM500004 - Bearing Module



SKILL LEVEL A

BM500005 - Bearing Module



SKILL LEVEL A

BM500006 - Bearing Module



SKILL LEVEL A

HA500100 - Hub Assembly



SKILL LEVEL B

HA590008 - Hub Assembly



SKILL LEVEL A

HA590009 - Hub Assembly



SKILL LEVEL A

HA590010 - Hub Assembly



SKILL LEVEL A

HA590014 - Hub Assembly



SKILL LEVEL A

## HUB ASSEMBLY - PHOTOS AND INSTALLATION SKILL LEVELS

HA590017 - Hub Assembly



SKILL LEVEL A

HA590019 - Hub Assembly



SKILL LEVEL A

HA590020 - Hub Assembly



SKILL LEVEL A

HA590021 - Hub Assembly



SKILL LEVEL A

HA590022 - Hub Assembly



SKILL LEVEL A

HA590023 - Hub Assembly



SKILL LEVEL A

HA590024 - Hub Assembly



SKILL LEVEL A

HA590025 - Hub Assembly



SKILL LEVEL A

HA590026 - Hub Assembly



SKILL LEVEL A



# HUB ASSEMBLY - PHOTOS AND INSTALLATION SKILL LEVELS

HA590027 - Hub Assembly



SKILL LEVEL A

HA590028 - Hub Assembly



SKILL LEVEL A

HA590029 - Hub Assembly



SKILL LEVEL A

HA590030 - Hub Assembly



SKILL LEVEL A

HA590031 - Hub Assembly



SKILL LEVEL A

HA590032 - Hub Assembly



SKILL LEVEL A

HA590033 - Hub Assembly



SKILL LEVEL A

HA590034 - Hub Assembly



SKILL LEVEL A

HA590035 - Hub Assembly



SKILL LEVEL A

## HUB ASSEMBLY - PHOTOS AND INSTALLATION SKILL LEVELS

HA590036 - Hub Assembly



SKILL LEVEL A

HA590038 - Hub Assembly



SKILL LEVEL A

HA590039 - Hub Assembly



SKILL LEVEL A

HA590040 - Hub Assembly



SKILL LEVEL A

HA590043 - Hub Assembly



SKILL LEVEL A

HA590044 - Hub Assembly



SKILL LEVEL A

HA590045 - Hub Assembly



SKILL LEVEL A

HA590045 - Hub Assembly



SKILL LEVEL A

HA590046 - Hub Assembly



SKILL LEVEL A

## HUB ASSEMBLY - PHOTOS AND INSTALLATION SKILL LEVELS

HA590048 - Hub Assembly



SKILL LEVEL A

HA590049 - Hub Assembly



SKILL LEVEL A

HA590053 - Hub Assembly



SKILL LEVEL A

HA590054 - Hub Assembly



SKILL LEVEL A

HA590055 - Hub Assembly



SKILL LEVEL A

HA590055K - Hub Assembly



SKILL LEVEL B

HA590056K - Hub Assembly



SKILL LEVEL B

HA590058 - Hub Assembly



SKILL LEVEL A

HA590059 - Hub Assembly



SKILL LEVEL A

## HUB ASSEMBLY - PHOTOS AND INSTALLATION SKILL LEVELS

HA590060 - Hub Assembly



SKILL LEVEL A

HA590061 - Hub Assembly



SKILL LEVEL A

HA590062 - Hub Assembly



SKILL LEVEL A

HA590063 - Hub Assembly



SKILL LEVEL A

HA590064 - Hub Assembly



SKILL LEVEL A

HA590064 - Hub Assembly



SKILL LEVEL A

HA590072 - Hub Assembly



SKILL LEVEL A

HA590075 - Hub Assembly



SKILL LEVEL A

HA590095 - Hub Assembly



SKILL LEVEL A

# HUB ASSEMBLY - PHOTOS AND INSTALLATION SKILL LEVELS

HA590096 - Hub Assembly



SKILL LEVEL A

HA590097 - Hub Assembly



SKILL LEVEL A

HA590099 - Hub Assembly



SKILL LEVEL A

HA590100 - Hub Assembly



SKILL LEVEL A

HA590101 - Hub Assembly



SKILL LEVEL A

HA590103 - Hub Assembly



SKILL LEVEL A

HA590104 - Hub Assembly



SKILL LEVEL A

HA590105 - Hub Assembly



SKILL LEVEL A

HA590107 - Hub Assembly



SKILL LEVEL A

## HUB ASSEMBLY - PHOTOS AND INSTALLATION SKILL LEVELS

HA590108 - Hub Assembly



SKILL LEVEL A

HA590109 - Hub Assembly



SKILL LEVEL A

HA590110 - Hub Assembly



SKILL LEVEL A

HA590111 - Hub Assembly



SKILL LEVEL A

HA590112 - Hub Assembly



SKILL LEVEL A

HA590113 - Hub Assembly



SKILL LEVEL A

HA590114 - Hub Assembly



SKILL LEVEL A

HA590115 - Hub Assembly



SKILL LEVEL A

HA590118 - Hub Assembly



SKILL LEVEL A

## HUB ASSEMBLY - PHOTOS AND INSTALLATION SKILL LEVELS

HA590119 - Hub Assembly



SKILL LEVEL A

HA590120 - Hub Assembly



SKILL LEVEL A

HA590122 - Hub Assembly



SKILL LEVEL A

HA590123 - Hub Assembly



SKILL LEVEL A

HA590124 - Hub Assembly



SKILL LEVEL A

HA590125 - Hub Assembly



SKILL LEVEL A

HA590126 - Hub Assembly



SKILL LEVEL A

HA590127 - Hub Assembly



SKILL LEVEL A

HA590128 - Hub Assembly



SKILL LEVEL A



## HUB ASSEMBLY - PHOTOS AND INSTALLATION SKILL LEVELS

HA590155K - Hub Assembly



SKILL LEVEL A

HA590181K - Hub Assembly



SKILL LEVEL A

HA590182K - Hub Assembly



SKILL LEVEL A

HA590213 - Hub Assembly



SKILL LEVEL B

HA590225 - Hub Assembly



SKILL LEVEL B

HA590241K - Hub Assembly



SKILL LEVEL A

HA590644 - Hub Assembly



SKILL LEVEL B

HA591050 - Hub Assembly



SKILL LEVEL B

HA591080 - Hub Assembly



SKILL LEVEL B



# HUB ASSEMBLY - PHOTOS AND INSTALLATION SKILL LEVELS

HA591339 - Hub Assembly



SKILL LEVEL A

HA592410 - Hub Assembly



SKILL LEVEL B

HA592460 - Hub Assembly



SKILL LEVEL B

HA594245 - Hub Assembly



SKILL LEVEL B

HA594301 - Hub Assembly



SKILL LEVEL B

HA595017 - Hub Assembly



SKILL LEVEL B

HA595894 - Hub Assembly



SKILL LEVEL B

HA596030 - Hub Assembly



SKILL LEVEL B

HA597449 - Hub Assembly



SKILL LEVEL B

HUB TECHNOLOGY

## HUB ASSEMBLY - PHOTOS AND INSTALLATION SKILL LEVELS

HA597851 - Hub Assembly



SKILL LEVEL A

HA598679 - Hub Assembly



SKILL LEVEL B

HA599138 - Hub Assembly



SKILL LEVEL A

HA599361 - Hub Assembly



SKILL LEVEL B

HA599455L/R - Hub Assembly



SKILL LEVEL B

HA599863 - Hub Assembly



SKILL LEVEL B

SP450100 - Hub Assembly



SKILL LEVEL B

SP450200 - Hub Assembly



SKILL LEVEL B

SP450201 - Hub Assembly



SKILL LEVEL B

# HUB ASSEMBLY - PHOTOS AND INSTALLATION SKILL LEVELS

SP450203 - Hub Assembly



SKILL LEVEL A

SP450300 - Hub Assembly



SKILL LEVEL B

SP500100 - Hub Assembly



SKILL LEVEL B

SP550101 - Hub Assembly



SKILL LEVEL B

SP550102 - Hub Assembly



SKILL LEVEL B

SP550200 - Hub Assembly



SKILL LEVEL B

SP550201 - Hub Assembly



SKILL LEVEL B

SP550202 - Hub Assembly



SKILL LEVEL A

SP550203 - Hub Assembly



SKILL LEVEL A

## HUB ASSEMBLY - PHOTOS AND INSTALLATION SKILL LEVELS

SP550300 - Hub Assembly



SKILL LEVEL B

SP550302 - Hub Assembly



SKILL LEVEL B

SP550304 - Hub Assembly



SKILL LEVEL B

SP550309 - Hub Assembly



SKILL LEVEL A

SP550310 - Hub Assembly



SKILL LEVEL A

SP580100 - Hub Assembly



SKILL LEVEL A

SP550300 - Hub Assembly



SKILL LEVEL A

SP580300 - Hub Assembly



SKILL LEVEL A

SP580305 - Hub Assembly



SKILL LEVEL A

## HUB ASSEMBLY - PHOTOS AND INSTALLATION SKILL LEVELS

SP580308 - Hub Assembly



SP580309 - Hub Assembly



# HUB ASSEMBLY

## REMOVAL AND INSTALLATION





## REMOVING & INSTALLING A HUB ASSEMBLY



Timken continues to lead the hub evolution by manufacturing assemblies that are uncompromised in quality, reliability and consistency. Proper hub removal and installation procedures can enhance the performance and life of hubs, axles, wheels, brakes and other components. Following are general recommendations for removing and installing hub assemblies.

Please note: These recommendations are not intended to substitute for the specific recommendations of your vehicle manufacturer. Depending on the application, type of hub assembly and location, processes may vary. Please review the vehicle manufacturer's recommendations before removing or installing components.

### HUB ASSEMBLY REMOVAL



- 1: Raise vehicle and remove lug nuts and wheel.
- 2: Remove the brake caliper and rotor. The brake caliper should be supported, not hanging freely.
- 3: Remove the axle nut using an axle nut socket. Use the vehicle manufacturer's instructions regarding nut replacement.

4: If applicable, disconnect the ABS sensor wire from its mating connector point usually located in the wheel well or on the chassis frame. Also, disconnect the sensor wire from the clips that are used to properly position the sensor wire in the wheel well or frame. Before removing, make a note of the proper orientation and positioning of the sensor wire and bearing.



5: Remove the bolts that attach the bearing to the steering knuckle. A puller may be required to remove the hub assembly from the knuckle. Care should be taken not to damage the knuckle or axle shaft.

6: Clean steering knuckle of any debris or burrs.

### HUB ASSEMBLY INSTALLATION

1: First, insert the new hub assembly into the steering knuckle. Check the positioning of the splines on axle shaft as the hub assembly is inserted into the knuckle. Carefully position the two components so the splines are not damaged during this process. Note: Never force the hub assembly on the shaft or strike with a hammer.



2: Torque the knuckle-bearing mounting bolts to the vehicle manufacturer's specifications using a torque wrench. An impact wrench is not recommended. Proper torque is required.

3: If applicable, connect the new ABS sensor that comes already attached to the new bearing to its mating connection point and clips in the wheel well and frame area.



4: Install the axle nut. Tighten the nut to the vehicle manufacturer's torque recommendations using a torque wrench. An impact wrench is not recommended.

5: Replace the brake rotor and brake caliper. All components should be clean from debris and burrs.

6: Replace the wheel and torque the lug nuts. Follow the vehicle manufacturer's recommendations regarding torque specification and retorquing requirements.



**WARNING:** Follow the equipment manufacturer's installation instructions. Do not attempt to take apart the hub assembly. Failure to follow installation instructions, guidelines and warnings can cause equipment failure, creating a risk of serious bodily harm.

## HEAVY DUTY BEARING TORQUE INSTALLATION PROCEDURE



1. Torque the adjusting nut to 200 foot-pounds to seat the bearing components. Always rotate or oscillate the wheel while torquing the adjusting nut to ensure that the rollers are fully seated against the cone large rib.
2. Back off the adjusting nut one full turn or until it is loose.
3. This is where you actually establish end play. Torque the adjusting nut to 50 ft.-lbs. while rotating the wheel hub assembly.
4. Back off the inner (adjusting) nut the appropriate amount as indicated by the chart, for example, 1/2 of a turn for an 18-threads-per-inch front steer axle. See chart for the exact back-off amount.
5. On a double-nut system, install a jam nut and torque it to the proper specification, 200-300 ft.-lbs. Generally, jam nuts less than 2 5/8 inch should be torqued to 200-300 ft.-lbs.; nuts 2 5/8 inch and larger should be torqued to 250-400 ft.-lbs. See chart for exact torque specifications.
6. The final step is to use a dial indicator to verify the end play or free movement of the tire and wheel assembly along the spindle axis.

Adjusting Nut Back Off			Jam Nut Torque	
Axle Type	Threads Per Inch	Final Back Off	Nut Size	Torque Specifications
Steer (Front) Non-Drive	12	1/6 Turn	Install Cotter Pin to Lock Axle Nut in Position	
	18	1/4 Turn		
	14	1/2 Turn	Less Than 2 5/8 inch (66.7 mm)	200 - 300 ft.-lbs. (271 - 407 N•m)
	18			
Drive	12	1/4 Turn	Dowel Type Washer	300 - 400 ft.-lbs. (407 - 542 N•m)
	16		Tang Type Washer	200 - 275 ft.-lbs. (271 - 373 N•m)
Trailer	12	1/4 Turn	2 5/8 inch (66.7 mm and Over)	300 - 400 ft.-lbs. (407 - 542 N•m)
	16			

**WARNING:** Always follow manufacturer's instructions. Failure to follow all instructions and to properly lubricate the bearing can cause equipment failure, creating a risk of serious bodily harm.

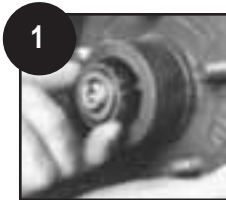
Over-filling or under-filling a wheel hub with lubricant may result in premature component failure, creating a risk of serious bodily harm.

Never spin a bearing with compressed air. The rollers may be forcefully expelled, creating a risk of serious bodily harm.



## WHEEL BEARING REPLACEMENT

Proper wheel bearing removal and installation is essential in avoiding premature damage to bearings and surrounding components. The following are the steps for replacing tapered single wheel bearings for passenger cars and light trucks.

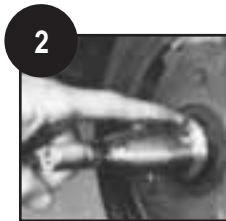


### 1 WHEEL END DISASSEMBLY

Follow vehicle manufacturer's recommended procedure to remove tire and wheel assembly, disk brake caliper, dust cap, cotter pin, adjusting nut and washers.

Pull rotor toward you to loosen outer bearing cone, then remove the outer bearing cone. Pull the rotor and assembly off the spindle; the inner bearing cup and seal will come with it.

To remove the inner cone, use a seal puller or pull out the inner seal. Discard the seal after removal. Remove the cups from the housing with a mild steel bar.



### 2 CLEAN AND INSPECT HUBS AND SPINDLES

Remove all old lubricant from rotor/hub assembly and spindle, then clean them with kerosene or mineral oil. Inspect spindle for scoring, bending, thread or other damage. File off nicks and burrs.

Follow manufacturer's recommendation for permissible spindle wear. A light grease coating on the cone seats will make installation easier and prevent fretting.



### 3 INSTALL CUP

Use a cup driver or mild steel bar to press or drive the new cup into the hub until it is solidly seated against the hub shoulder. Be careful not to damage the cup surfaces. Never use a cone to drive a cup.



### 4 LUBRICATE

Pack cones fresh from carton. A pressure grease packer is recommended. To hand pack cones, force grease under the cage between the rollers from the large end of the rollers until it shows at the small end.

Fill the hub with grease to the inside diameter of the outer races and fill hub grease cap. This layer combats moisture and retains grease in cones.

**WARNING:** Failure to correctly lubricate bearing and maintain proper lubrication may result in damage that could cause wheel to lock or come off during operation, creating a risk of serious bodily harm.



### 5 INSTALL GREASE SEAL

Grease seals must be replaced when they leak or when bearings are being repacked or replaced. Install inner cone in hub, then the seal. Make sure the seal lips are pointed in the right direction. Use the proper seal installation tool.



### 6 INSTALL ROTOR/HUB ASSEMBLY

Slide the rotor/hub assembly back over the spindle, being careful not to damage the seal against the spindle. Insert the grease-packed outer cone, washer and adjusting nut.



### 7 ADJUST BEARING

Use a 12" wrench to tighten the adjusting nut while turning the rotor. When the rotor binds slightly, all the bearing parts are seated properly.

Back off the nut 1/6 to 1/4 turn or sufficiently to allow 0.001" to 0.007" end play. Then lock the nut with a new cotter pin.

**WARNING:** Failure to back off the adjusting nut may cause the bearing to run hot and be damaged, which could cause wheel to lock or come off during operation, creating a risk of serious bodily harm.



### 8 CHECK BEARING ADJUSTMENT

Use a dial indicator to measure end play. Mount the indicator base as close to the center of the hub/rotor as possible. With the indicator tip against the end of the spindle, set the indicator at zero.

Grasp the rotor at three o'clock and nine o'clock. Push the rotor in while oscillating and read the dial indicator. Then pull the rotor out while oscillating and read the dial indicator again.

The bearing endplay is equal to the total indicator movement. Reinstall all components as manufacturer recommends.

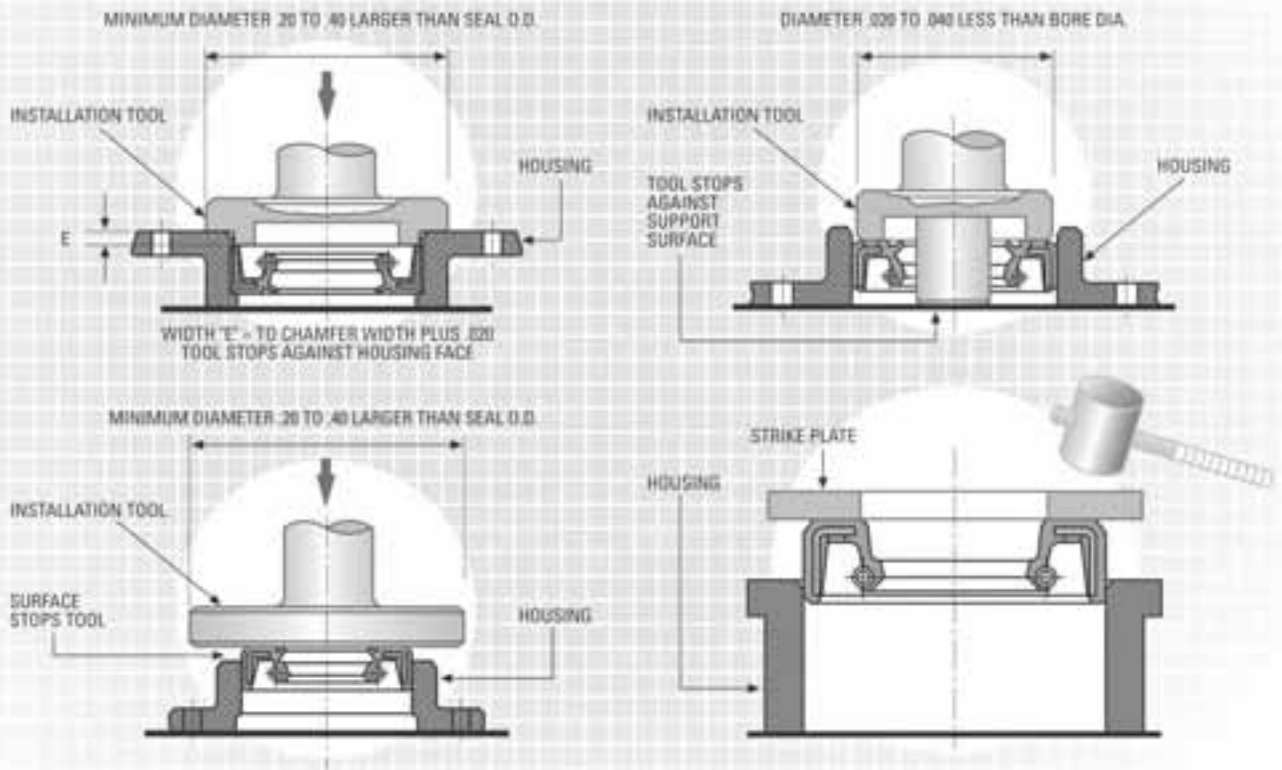
**Warning:** Failure to follow recommended procedure for removal and installation may cause damage resulting in wheel locking or coming off during operation, creating a risk of serious bodily harm.

## SEAL AND SHAFT INSTALLATION PROCEDURES

The subject of installation is commonly overlooked when selecting an oil seal for an application. Possibly, this is one of the major causes of premature seal failure. To assist the installation, the seal should be prelubricated with grease or oil to reduce sliding friction of contact surfaces. This also helps protect the seal lips during initial run-in.

An installation tool should always be used when installing an oil seal. Using a tool improves ease of installation and reduces the possibility of seal cocking (non-perpendicular to shaft). A hydraulic or pneumatic press is advised to supply necessary force to install the seal. Following are examples of both recommended and improper installation methods.

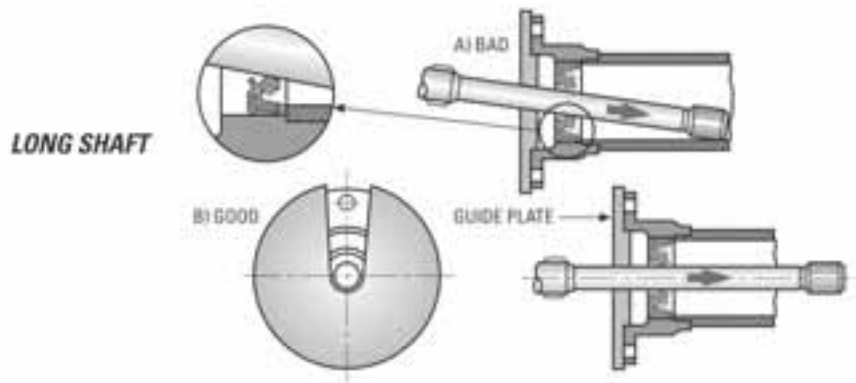
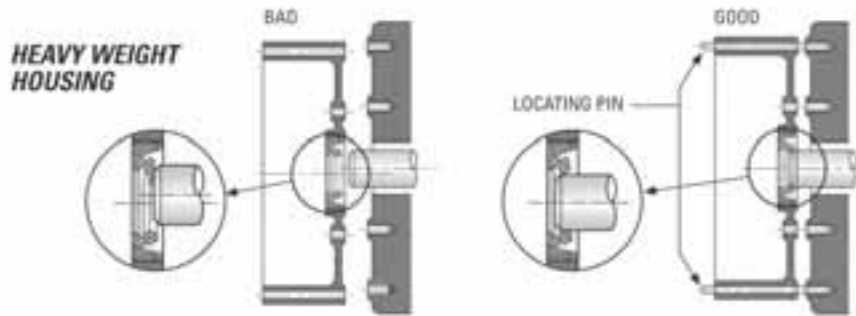
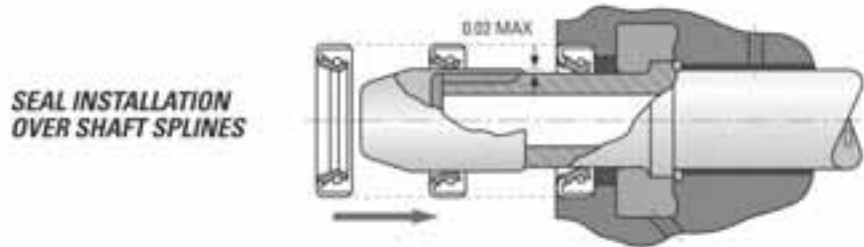
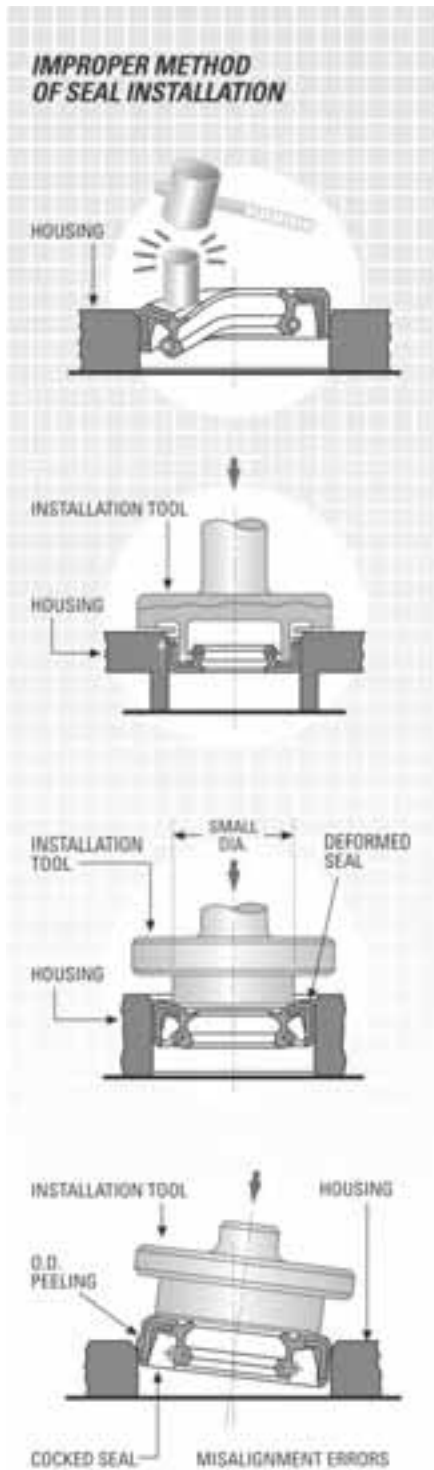
### ACCEPTABLE METHOD OF SEAL INSTALLATION



In each preferred method, installation load is absorbed by either housing or bottom plate to prevent seal damage and to assist in locating the seal properly within the bore.

## SHAFT INSTALLATION

The advisable sequence of installation is to install the seal over the shaft and then into the housing bore. Care should be exercised not to damage or deform the seal lip. The proper chamfer angle will minimize this problem. When installing over a key-way or spine, a sleeve or bullet should be employed to protect the seal lip from cuts. Where the shaft must be installed through the seal, centering guides for the shaft will prevent lip deformation and dislodging of the spring. When possible, the shaft should be rotated as it passes through the seal to reduce sliding friction.



**WARNING:** Proper maintenance and handling practices are critical. Follow the equipment manufacturer's installation instructions. Failure to follow installation instructions and to maintain proper lubrication can result in equipment failure and could lead to a risk of serious bodily harm.

All technical information and illustrations in this Seal and Shaft Installation were provided by and printed with the permission of Freudenberg-NOK. © Freudenberg-NOK 2000

## REAR WHEEL REPAIR PACKAGE BEARINGS



Timken repair wheel bearings are designed to replace the original bearings and seals on axles that are still in operating condition, but whose original bearings and/or seal contact paths are not suitable for continued use. The extra-wide repair bearing repositions the rollers and seal to ride on unworn portions of the axle, closer to the flange. Lubrication is accomplished through the axle tube by differential fluid, just as in the original equipment design. These bearings are more economical than replacing the shaft and feature:

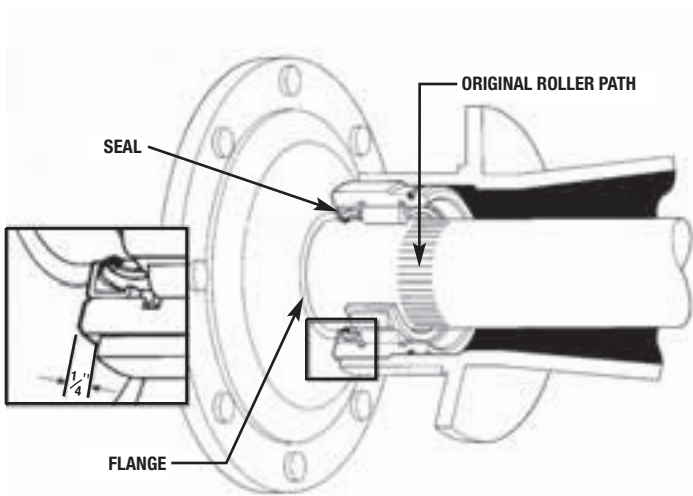
- A compact bearing design, which allows for a high load capacity.
- Simplified mounting.

### Six Part Numbers Available

<b>TF01561R</b>	Cylindrical roller bearing - replaces R 1561 TV bearing and seal used on Ford and Dodge 1.700" axles.
<b>TGM1561R</b>	Cylindrical roller bearing - replaces R 1561 TV bearing and seal used on Chevrolet and GMC 1.700" axles.
<b>TRP57509</b>	Cylindrical roller bearings - replaces 513023 bearing and seal used on Chevrolet and GMC axles.
<b>TRP1559TV</b>	Cylindrical roller bearings - replaces R 1559 TV bearing and seal used on a variety of GM, Ford and Chrysler cars and pickup trucks with 1.618" axles. 12 bolts.
<b>TRP1563TAV</b>	Cylindrical roller bearing - replaces R 1563 TAV bearing and seal used on a variety of GM, Ford and Chrysler cars and pickup trucks with 1.399" axles. 10 bolts.
<b>TRP59047</b>	Cylindrical roller bearing - replaces 513067 bearing and seal used on a variety of Chevrolet and GM truck axles with 8.5" ring gear. Available only as a repair package bearing.



## AXLE INSTALLATION



### Before Installation

Before installing a Timken repair wheel bearing on an axle, assess the shaft's general condition.

Do not reuse axles that exhibit the following conditions:

- Bent or distorted axles, even if they could be straightened.
- Axles with surface cracks may indicate impending failure, as cracks may grow and cause weakening of the axle or complete breakage.
- Discolored axles – usually black or blue – may result from overheating while in operation.
- Noticeable wear on axles at the original bearing path may be indicated by a worn groove, heavy corrosion or surface spalling.

**NOTE:** Axles unfit for reuse are not limited to those exhibiting these conditions. Other conditions may also render an axle unfit for reuse.

### Installation Procedure:

Below are the steps that should be followed when installing a Timken repair wheel bearing.

- Follow the manufacturer's procedures for disassembling the axle, seal and bearing.
- Clean and polish the axle between the flange and the original roller path using a fine grade emery paper. Smooth any nicks or burrs. The repair bearings and seal will ride on this area. Also, check the axle's housing and clean it if as necessary.

**Warning:** Do not reuse any axles that are distorted or bent, discolored, have surface cracks or have noticeable wear at the original bearing path.

- Remove the replacement bearing from its box and remove the protective wrapping. Dip the bearing in clean differential oil and allow it to drain.
- Install the bearing in the axle housing with the seal facing out. Use an installation tool that rides on the face of the bearing. If the wrong installation tool is used, damage to the seal may occur, causing failure. No force should be applied to the seal. Once an axle shaft seal has been removed, never reuse it.
- Reinstall the axle following the vehicle manufacturer's assembly procedures.
- Lastly, fill the differential with fluid to the level recommended by the vehicle manufacturer.

### Information Exchange for Repair Package Bearings

Timken Company Part No.	Federal-Mogul Part No.	Chicago-Rawhide Part No.
TFO1561R	RP 1561-FO	R15651-F
TGM1561R	RP 1561-GM	R1561-G
TRP57509	RP 5130123	R57509
TRP1559TV	RP 6408	R1559
TRP1563TAV	RP 5707	R1563
TRP59047	RP 513067	R59407

## TIMKEN TRAILER WHEEL BEARING KITS OFFER CONVENIENCE, VALUE AND QUALITY



With constant exposure to elements like water, mud, grime and rough road conditions, your trailer wheel bearings can take a real beating. Corrosion and improper maintenance can dramatically decrease bearing life, leading to expensive damage to equipment, as well as lost work or leisure time.

Don't take chances. The cost, labor and inconvenience of a change-out isn't worth the risk, especially when you'll probably be changing the bearings right at the spot where you noticed there was a problem. You can get somebody else to fix it, but the right parts may be hard to find in a pinch.

### Everything You Need in One Package

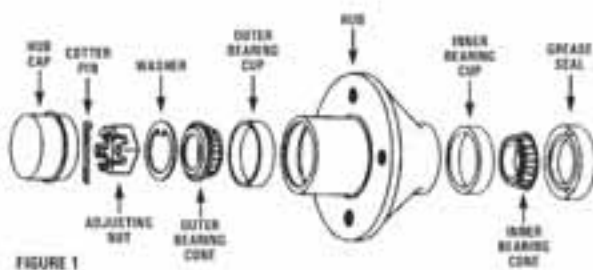
Timken® trailer wheel bearing kits offer the highest levels of quality and convenience while taking the guesswork out of bearing selection. You can now choose the right wheel bearing without compromising time, value or quality.

Timken trailer wheel bearing kits provide everything you need to install a new wheel bearing in one convenient package. Top quality Timken bearings, a grease seal, cotter pin and petroleum-based bearing grease are included in a complete kit to assure durability and performance reliability.

Timken Trailer Wheel Bearing Kits are available in the following sizes:



### TRAILER HUB ASSEMBLY



#### Timken® Standard Straight Axle Kits

Part Number	Axle Size (Inner x Outer)
BT100	1"
BT101	1"
BT114	1 1/4"
BT116	1 1/16"
BT134	3/4"

#### Timken Standard Step-down Axle Kits

BT214	1 1/4" x 3/4"
BT216	1 1/16" x 3/4"
BT238	1 3/8" x 1 1/16"

## AquaSpexx™ Bearings Offer Corrosion Resistance

In addition to our standard kits, we also feature kits containing our special corrosion-resistant Timken® AquaSpexx™ bearings. These bearings have a special coating that makes them resistant to rust corrosion. AquaSpexx bearings provide a cost-effective way to guard against corrosion due to moisture, the leading cause of trailer wheel bearing damage.

AquaSpexx bearings feature a proprietary zinc-alloy coating to protect raceways and other functional surfaces against corrosion and have been put to the test in both the laboratory and demanding customer applications. In the lab, AquaSpexx clearly showed a distinct performance advantage over standard bearings, stainless steel and thin chrome bearings. In actual applications, AquaSpexx bearing life outperformed standard bearing life by as much as five times.

As with any trailer wheel bearing, proper maintenance procedures at appropriate intervals is essential. While the AquaSpexx bearing stands up to the harsh operating environment better than a standard bearing, water ingress can compromise the wheel-end environment and impair the lubricating characteristics of the wheel bearing grease and could lead to lack of proper lubrication, heat generation and risk of serious bodily harm or damage to personal property.

AquaSpexx bearings provide protection against rust corrosion, and with proper lubrication and maintenance, will save you significant time and money over the long haul.

And Timken offers this guarantee: If your AquaSpexx bearings ever rust, we'll replace them free of charge.

AquaSpexx Trailer Wheel Bearing Kits are available in the following sizes:

AquaSpexx™ Straight Axle Kits	
Part Number	Axle Size (Inner x Outer)
BT100A	1"
BT101A	1"
BT114A	1 1/4"
BT116A	1 1/16"
BT134A	3/4"



Bearing races removed after 24 hours of testing with salt water spray. Whereas the AquaSpexx™ race (top left) appeared new the standard race (bottom right) had more than 3 percent rust.

## Choose the Kit That's Right for You

Whether you choose kits with genuine Timken bearings, or want the extra measure of protection against corrosion offered by AquaSpexx, you can count on value and quality from Timken. Additionally, Timken bearings have superior debris-resistant qualities, giving you an extra measure of protection against potential contaminants such as road grime.

Timken trailer wheel bearing kits also feature maintenance instructions to ensure a complete and effective installation. Here are some additional tips to further decrease the chances of a costly breakdown:

- The useful life of a bearing effectively ends when one component is worn or damaged. Replacing cups and cones together lengthens maintenance intervals.
- Inspect and repack wheel bearings in the fall so condensed moisture won't damage the bearings during storage.

### TRAILER KIT INTERCHANGE

Timken Standard Part No.	Timken Aquaspexx Part No.	Federal Mogul Part No.	CR Part No.
BT100	BT100A	FM002	21
BT134	BT134A	FM001	22
BT114	BT114A	FM004	23
BT101	BT101A	FM003	24

## TIMKEN

### **MileMate®**

*ONE SIMPLE GOAL: keep your trucks up and moving*

*Timken MileMate™ matched wheel bearing sets are designed to keep your truck moving. Our 39 matched cup and cone sets are built to ensure superior results and less downtime for customers. And because MileMate™ sets are from Timken, you know you can replace your original equipment with original replacement parts specifically designed for your application.*

*MileMate sets are:*

- Made from quality steel proven to last longer
- Representative of the majority of the heavy-duty market
- Perfectly matched sets for correct installation every time

*Buying MileMate sets in Timken's single box and not using cup and cones from different manufacturers provide:*

- Correct fitting parts
- No bearing rating difference
- Compatible internal bearing profile

*Changing the cup and cone at the same time using Timken MileMate sets packaged in a single box:*

- Lengthens maintenance intervals
- Optimizes the bearing's performance
- Allows bearings to carry evenly distributed loads
- Provides a lower cost compared to cost of unscheduled downtime

*Timken's proprietary part numbers are designed to provide longer life and reliability. Some of the features are enhanced surfaces, additional rollers and more precise internal bearing geometry.*

*Proprietary parts are specifically designed to meet the growing original equipment and aftermarket performance demands.*

- They're only available from Timken
- Many proprietary parts are available in MileMate sets
- Many heavy-duty hubs are serviceable like ConMet and Dana





# MileMate®

<i>Timken Set Number</i>	<i>Timken Part Number</i>	<i>Popular Component Manufacturers</i>
Set 401	580, 572	ArvinMeritor / Dana / IHC / Mack / WhiteGMC
Set 402	582, 572	ArvinMeritor / Dana / Mack
Set 403	594A, 592A	ArvinMeritor / Dana / IHC
Set 404	598A, 592A	ArvinMeritor / Dana / Mack / WhiteGMC
Set 405	663, 653	ArvinMeritor / Clark / Dana / IHC / Mack / Standard / Volvo
Set 406	3782, 3720	ArvinMeritor / Dana / Ford / IHC / WhiteGMC
Set 407	28682, 28622	Dana / IHC
Set 408	39590, 39520	ArvinMeritor / Dana / IHC
Set 409	45280, 45220	Mack
Set 410	45284, 45220	ArvinMeritor / Dodge / Ford / GMC
Set 411	47686, 47620	ArvinMeritor / Dana / FWD / IHC
Set 412	HM212047, HM212011	ArvinMeritor / Dodge / Ford / GMC / Isuzu
Set 413	HM212049, HM212011	ArvinMeritor / Clark / Dana / Rueshauf / IHC / Mack Standard / WhiteGMC
Set 414	HM218248, HM218210	ArvinMeritor / Dana / Kay-Brunner / Standard
Set 415	HMS18445, HMS18410	ArvinMeritor / Rueshauf
Set 416	45291, 45220	ArvinMeritor / Dana
Set 417	47890, 47820	ArvinMeritor / IHC / Oshkosh / Standard
Set 418	H715334, H715311	ArvinMeritor / Oshkosh
Set 419	H715343, H715311	ArvinMeritor / IHC / Oshkosh
Set 420	H715345, H715311	ArvinMeritor / IHC / Mack / WhiteGMC
Set 421	HMS16449A, HMS16410	Mack
Set 422	HMS16449C, HMS16410	Mack
Set 423	6461A, 6420	ArvinMeritor / Dana / Dodge / Ford / Mack
Set 424	555-S, 552A	ArvinMeritor / Dana / Dodge / Ford / IHC / Mack
Set 425	567, 563	ArvinMeritor / Dana / Dodge / Ford / IHC / Iveco / Mack Oshkosh / Standard
Set 426	47679, 47620	Mack
Set 427	NP899357, NP026773	Con-Met Steer / N Trailer
Set 428	NP874005, NP435398	Con-Met Steer
Set 429	NP034946, NP363298	Con-Met Drive
Set 430	NP840302, NP053874	Con-Met Drive
Set 431	NP965350, NP503727	Con-Met N Trailer
Set 432	NP174964, NP593561	Con-Met P Trailer
Set 433	NP431952, NP378092	Dana Steer / N Trailer
Set 434	NP555065, NP720703	Dana Steer
Set 435	NP568900, NP107783	Dana Drive
Set 436	NP577914, NP975161	Dana Drive
Set 437	NP022333, NP250023	Dana N Trailer
Set 438	NP417549, NP156827	Dana P Trailer
Set 439	HM212049X, HM212011	Volvo Steer
Set 440	NP454049, NP454011	ArvinMeritor / Clark / Con-Met / Dana / Rueshauf / IHC / Mack Standard / WhiteGMC
Set 441	NP454248, NP454210	ArvinMeritor / Con-Met / Dana / Kay-Brunner / Standard



## DRIVELINE CENTER SUPPORT BEARINGS

### Interchangeability, Quality, Durability, Decreased Costs

Driveline Center Support Bearings For:

- Light duty pick-ups
- Light duty vans
- Mid-size trucks
- School buses
- Heavy duty highway vehicles

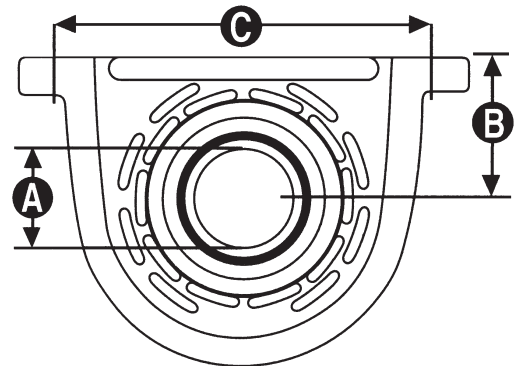
Now you can get Driveline Center Support Bearings through The Timken Company – interchangeable with all major truck applications.

The eight part numbers listed in the Quick Reference Dimension Guide can equip the most popular light-duty pick-ups, vans, mid-size trucks, school buses and heavy duty highway vehicles, including Chevrolet, Ford, Freightliner, Navistar and Volvo-GM.

Consult the application data for a complete listing bearings for your drive shaft applications.

Those Driveline Center Support Bearings are constructed with frames made from heavy gauge cold-rolled steel. The 100% USA-made bearing inserts are pregreased and sealed at the factory, with a second grease barrier applied between the sealed bearing and dust shields to maximize protection – ready to install right out of the box.

Interchangeability. Increased quality and durability. Extended service life. It all adds up to more value and decreased operating costs-per-mile for your customers.



### QUICK REFERENCE DIMENSION GUIDE

Part Number	A	B	C
HB206FF	1.1811"	3-1/2"	N.A.
HB88107A	1.3780	2-1/4"	6-5/8"
HB88508	1.5748"	2-1/2"	6-5/8"
HB88508A	1.5748"	2-1/4"	6-5/8"
HB88509	1.7717"	2-3/4"	7-5/8"
HB88510	1.9685"	2-7/8"	7-5/8"
HB88512AHD (vented rubber cushion)	2.3622"	3-3/8"	8-5/8"
HB88512ASHD (solid rubber cushion)	2.3622"	3-3/8"	8-5/8"

**Note: HB88512ASHD (solid rubber cushion) is directly interchangeable with HB88512AHD (vented rubber cushion).**



## SUPERSEDED PART NUMBERS

Old Number	New Number	Old Number	New Number	Old Number	New Number
02256	02256N	513068	513070	HA590117	513030
100CC4	100CCAB	513079	513080	HA590210	HA590209
1015	1015N	513091	513092	HA590211	512036
2003	2003N	513114	513131	HA590272	513131
222310	710254	513117	513138	HA590283	512191
229006	229010	513153	513131	HA592444	SP550305
32217M	32217	513162	HA595017	HA599138	HA591339
350877	471633	513165	HA590653	JRM4249-90UE2	SET49
355200	455200	513166	HA590644	LM67000LA-9C2A2	LM67000LA-902A2
452R	452PKG	513168	HA590224	R88128B	514003P
470342	450342	513169	HA590225	SP450102	SP450100
470593	450593	513178	HA599467	SP450103	SP450101
471772	471762	513183	513094	SP550300	SP550307
512015	512026	515040	HA596060	SP550301	SP550307
512205	HA591050	516001	516001WB	SP550302	SP550308
512211	HA594301	56650D	56650CD	SP550303	SP550308
512214	HA595042	712516	710211	TRK223	TRK2131
512219	HA590057	A2L	SET88	TRK224	TRK2041
512226	HA590494	A5L	SET93	TRK225	TRK2130
513064	513044	A6L	SET94	TRK2774	TRK2773
513065	513044	DRK335JMK	DRK335FMK		
513066	513074	HA590085	HA590076		

## OBSOLETE PART NUMBERS

Part Number	Part Number	Part Number
1110	512105	614117
1625C	512140	614154
30209C	512146	614164
415697	512146	78215
42280S	513009	B60
450121	513010	HA590102
450523	513010	JHM720249-90K02
481537	513038	MG307FFA
512005	513038	RW607NR
512007	513040	SE689
512028	5204	
512105	614019	









**BSAC 1990 & NEWER 2006 CATALOG  
COMMENT CARD** (Please type or print clearly)



Page No. \_\_\_\_\_

1. Comments: \_\_\_\_\_

\_\_\_\_\_

\_\_\_\_\_

2. Is this catalog your primary reference for Timken products? If not, what is? \_\_\_\_\_

\_\_\_\_\_

3. What should we include in updates of this catalog? \_\_\_\_\_

\_\_\_\_\_

4. What section (list page numbers) do you use the most in the catalog? \_\_\_\_\_

Company Name \_\_\_\_\_

Address \_\_\_\_\_

City \_\_\_\_\_ State \_\_\_\_\_ Zip \_\_\_\_\_

Name and Title \_\_\_\_\_

Phone \_\_\_\_\_ E-mail address \_\_\_\_\_ Date \_\_\_\_\_

**Do not use this card to order catalogs.**

For more on The Timken Company, visit us on the internet at [www.timken.com](http://www.timken.com) or  
[www.timkeninfo.com](mailto:www.timkeninfo.com) or send an e-mail to [auto.am@timken.com](mailto:auto.am@timken.com).

**BSAC 1990 & NEWER 2006 CATALOG  
COMMENT CARD** (Please type or print clearly)



Page No. \_\_\_\_\_

1. Comments: \_\_\_\_\_

\_\_\_\_\_

\_\_\_\_\_

2. Is this catalog your primary reference for Timken products? If not, what is? \_\_\_\_\_

\_\_\_\_\_

3. What should we include in updates of this catalog? \_\_\_\_\_

\_\_\_\_\_

4. What section (list page numbers) do you use the most in the catalog? \_\_\_\_\_

Company Name \_\_\_\_\_

Address \_\_\_\_\_

City \_\_\_\_\_ State \_\_\_\_\_ Zip \_\_\_\_\_

Name and Title \_\_\_\_\_

Phone \_\_\_\_\_ E-mail address \_\_\_\_\_ Date \_\_\_\_\_

**Do not use this card to order catalogs.**

For more on The Timken Company, visit us on the internet at [www.timken.com](http://www.timken.com) or  
[www.timkeninfo.com](mailto:www.timkeninfo.com) or send an e-mail to [auto.am@timken.com](mailto:auto.am@timken.com).

**BSAC 1990 & NEWER 2006 CATALOG  
COMMENT CARD** (Please type or print clearly)



Page No. \_\_\_\_\_

1. Comments: \_\_\_\_\_

\_\_\_\_\_

\_\_\_\_\_

2. Is this catalog your primary reference for Timken products? If not, what is? \_\_\_\_\_

\_\_\_\_\_

3. What should we include in updates of this catalog? \_\_\_\_\_

\_\_\_\_\_

4. What section (list page numbers) do you use the most in the catalog? \_\_\_\_\_

Company Name \_\_\_\_\_

Address \_\_\_\_\_

City \_\_\_\_\_ State \_\_\_\_\_ Zip \_\_\_\_\_

Name and Title \_\_\_\_\_

Phone \_\_\_\_\_ E-mail address \_\_\_\_\_ Date \_\_\_\_\_

**Do not use this card to order catalogs.**

For more on The Timken Company, visit us on the internet at [www.timken.com](http://www.timken.com) or  
[www.timkeninfo.com](mailto:www.timkeninfo.com) or send an e-mail to [auto.am@timken.com](mailto:auto.am@timken.com).

**BSAC 1990 & NEWER 2006 CATALOG  
COMMENT CARD** (Please type or print clearly)



Page No. \_\_\_\_\_

1. Comments: \_\_\_\_\_

\_\_\_\_\_

\_\_\_\_\_

2. Is this catalog your primary reference for Timken products? If not, what is? \_\_\_\_\_

\_\_\_\_\_

3. What should we include in updates of this catalog? \_\_\_\_\_

\_\_\_\_\_

4. What section (list page numbers) do you use the most in the catalog? \_\_\_\_\_

Company Name \_\_\_\_\_

Address \_\_\_\_\_

City \_\_\_\_\_ State \_\_\_\_\_ Zip \_\_\_\_\_

Name and Title \_\_\_\_\_

Phone \_\_\_\_\_ E-mail address \_\_\_\_\_ Date \_\_\_\_\_

**Do not use this card to order catalogs.**

For more on The Timken Company, visit us on the internet at [www.timken.com](http://www.timken.com) or  
[www.timkeninfo.com](mailto:www.timkeninfo.com) or send an e-mail to [auto.am@timken.com](mailto:auto.am@timken.com).





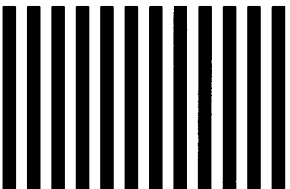
NO POSTAGE  
NECESSARY  
IF MAILED  
IN THE  
UNITED STATES

**BUSINESS REPLY MAIL**

FIRST-CLASS MAIL PERMIT NO 38 CANTON OH

POSTAGE WILL BE PAID BY ADDRESSEE

AUTOMOTIVE AFTERMARKET - BON 10  
THE TIMKEN CO  
1835 DUEBER AVE SW  
CANTON OH 44799-6017



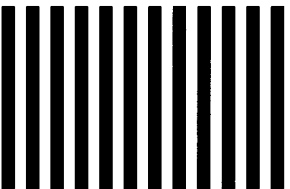
NO POSTAGE  
NECESSARY  
IF MAILED  
IN THE  
UNITED STATES

**BUSINESS REPLY MAIL**

FIRST-CLASS MAIL PERMIT NO 38 CANTON OH

POSTAGE WILL BE PAID BY ADDRESSEE

AUTOMOTIVE AFTERMARKET - BON 10  
THE TIMKEN CO  
1835 DUEBER AVE SW  
CANTON OH 44799-6017



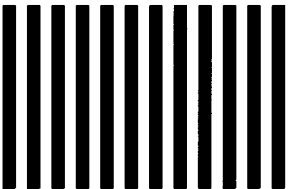
NO POSTAGE  
NECESSARY  
IF MAILED  
IN THE  
UNITED STATES

**BUSINESS REPLY MAIL**

FIRST-CLASS MAIL PERMIT NO 38 CANTON OH

POSTAGE WILL BE PAID BY ADDRESSEE

AUTOMOTIVE AFTERMARKET - BON 10  
THE TIMKEN CO  
1835 DUEBER AVE SW  
CANTON OH 44799-6017



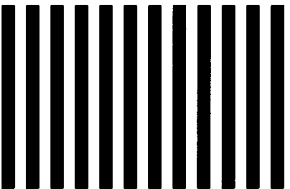
NO POSTAGE  
NECESSARY  
IF MAILED  
IN THE  
UNITED STATES

**BUSINESS REPLY MAIL**

FIRST-CLASS MAIL PERMIT NO 38 CANTON OH

POSTAGE WILL BE PAID BY ADDRESSEE

AUTOMOTIVE AFTERMARKET - BON 10  
THE TIMKEN CO  
1835 DUEBER AVE SW  
CANTON OH 44799-6017



# TIMKEN SET INTERCHANGE

## Interchange Data

### BEARING SET NUMBERS

Timken	SKF	Federal Mogul
SET1	BR1	A-1
SET2	BR2	A-2
SET3	BR3	A-3
SET4	BR4	A-4
SET5	BR5	A-5
SET6	BR6	A-6
SET7	BR7	A-7
SET8	BR8	A-15
SET9	BR9	A-9
SET10	BR10	A-10
SET11	BR11	A-18
SET12	BR12	A-12
SET12F	NA	NA
SET12FP	NA	NA
SET13	BR13	A-13
SET14	BR14	A-14
SET15	BR15	A-19
SET16	BR16	A-16
SET17	BR17	A-17
SET20	BR20	A-20
SET21	BR21	A-21
SET22	BR22	A-29
SET23	BR23	A-23
SET24	BR24	A-31
SET25	BR25	A-22
SET26	BR26	A-40
SET27	BR31	A-24
SET28	BR28	A-28
SET30	BR30	A-30
SET32	BR32	A-32
SET33	BR33	A-33
SET34	BR34	A-34
SET35	B35	B35
SET36	BR36	A-36
SET37	BR37	A-37
SET38	BR38	A-38
SET39	FW113	B38
SET40	B39	B39
SET41	BR41	A-41
SET42	BR42	A-42
SET43	BR43	A-43
SET45	BR35	A-35
SET46	BR39	A-39
SET47	BR50	None
SET48	B42	513006
SET49	FW115	513058

### BEARING NUMBERS

Cone/Cup
LM11749/LM11710
LM11949/LM11910
M12649/M12610
L44649/L44610
LM48548/LM48510
LM67048/LM67010
M201047/M201011 with locking collar
L45449/L45410
U298/U261L with locking collar
U399/U360L with locking collar
JL69349/JL69310
LM12749/LM12710
LM12749F/LM12710
LM12749FP/LM12710P
L68149/L68110
L44643/L44610
07100/07196
LM12749/LM12711
L68149/L68111
U399A/U365L with locking collar and seal
1988/1922
2 of (LM67045)/2 of (LM67010-Z)
LM104949E-904A2
JL68145/JL68111-Z - Sold as set only
JLM506848E-90K02
JLM104946/JLM104910-Z
Components - Not sold separately
J15585/15520
JLM67042/LM67010 - Sold as set only
Components - Not sold separately
Components - Not sold separately
LM12748F/LM12710
JRM3534-90U01
LM603049/LM603012
LM603049/LM603011
LM104949/LM104911
JRM3939-90U08
JRM4040A-90U02 - When depleted use B39
Components - Not sold separately
JLM506849A/JLM506811
Components - Not sold separately
LM501349/LM501310
JL26749F/JL26710
LM102949/LM102910
JRM4042-90UA1 - When depleted use 513006
JRM4249-90UA1

## MileMate® Matched Wheel Bearing Sets

Timken MileMate No.	Timken Part Number	Timken MileMate No.	Timken Part Number
SET401	.....580/572	SET422	.....HM516449C/HM516410
SET402	.....582/572	SET423	.....6461A/6420
SET403	.....594A/592A	SET424	.....555-S/552A
SET404	.....598A/592A	SET425	.....567/563
SET405	.....663/653	SET426	.....47679/47620
SET406	.....3782/3720	SET427	.....NP899357/NP026773
SET407	.....28682/28622	SET428	.....NP874005/NP435398
SET408	.....39590/39520	SET429	.....NP034946/NP363298
SET409	.....45280/45220	SET430	.....NP840302/NP053874
SET410	.....45284/45220	SET431	.....NP965350/NP503727
SET411	.....47686/47620	SET432	.....NP174964/NP593561
SET412	.....HM212047/HM212011	SET433	.....NP431952/NP378092
SET413	.....HM212049/HM212011	SET434	.....NP555065/NP720703
SET414	.....HM218248/HM218210	SET435	.....NP568900/NP107783
SET415	.....HM518445/HM518410	SET436	.....NP577914/NP975161
SET416	.....45291/45220	SET437	.....NP022333/NP250023
SET417	.....47890/47820	SET438	.....NP417549/NP156827
SET418	.....H715334/H715311	SET439	.....HM212049X/HM212011
SET419	.....H715343/H715311	SET440	.....NP454049/NP454011
SET420	.....H715345/H715311	SET441	.....NP454248/NP454210
SET421	.....HM516449A/HM516410		

**US \$10**

## **TIMKEN**

**A LEADER IN MANUFACTURING  
AND HUB BEARING TECHNOLOGIES**

### **HUB ASSEMBLIES**

- ABS Hub Assemblies
- ABS Hub Assemblies with SENSOR-PAC™ Bearings
- Non-ABS Hub Assemblies
- Non-ABS Hub Assemblies with UNIPAC™ - Bearings
- Non-ABS Hub Assemblies with UNIPAC-PLUS™ - Bearings

### **BEARINGS**

- Timken® Fafnir® Ball Bearings
- Clutch Release Bearings
- Timken® Torrington® Cylindrical Bearings
- Timken® Torrington® Cylindrical Axle Repair Bearings
- Driveline Center Support Bearings
- Timken® Torrington® Needle Bearings
- Tapered Bearings

### **HARMONIC BALANCER REPAIR KITS**

### **KWIK-SLEEVES™ - COMPONENTS**

### **SENSOR KITS**

### **SEALS**

- Automotive
- Industrial
- Light Duty Oil Bath Seals
- Metric

### **SPECIALTY KITS**

- DT Components® Drivetrain Products
- Differential Kits
- MileMate® Matched Wheel Bearing Sets
- Transmission Kits
- Transaxle & Transfer Case Kits
- Trailer Kits
  - Kits with Standard Bearings
  - Premium Kits with AquaSpexx™ Bearings



**TIMKEN**  
Where You Turn

[www.timken.com](http://www.timken.com)

Timken®, Torrington®, Fafnir®, MileMate® and DT Components® are the registered trademarks of The Timken Company.

© 2006 The Timken Company  
Printed in the U.S.A.  
40M-01-06-21 Order No. 7564