

Special-Duty CAMROL® Bearings

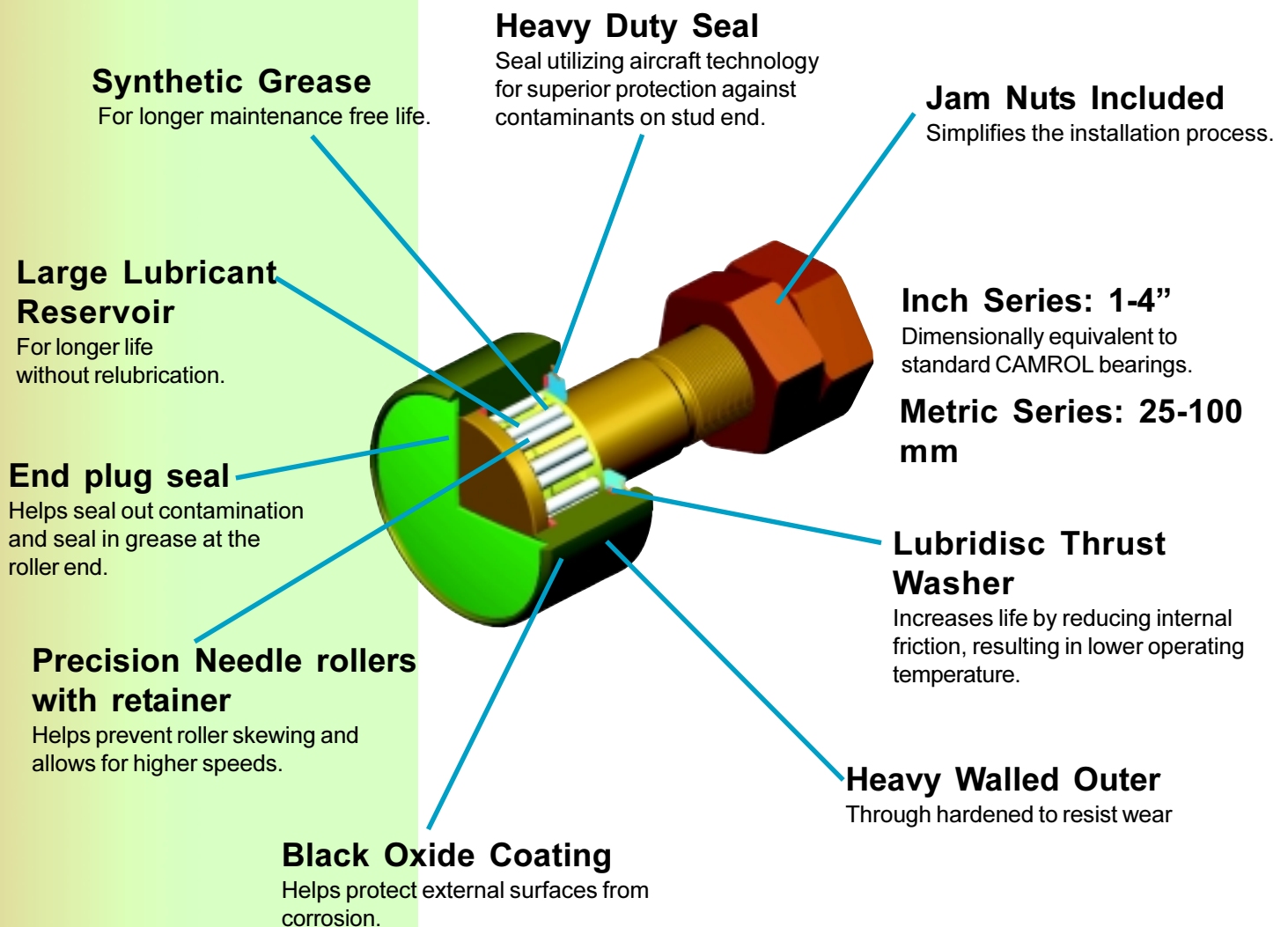
Performance Cam Followers



McGILL
PRECISION BEARINGS

Special-Duty CAMROL® Bearings

Designed For Tough Environments. Loaded With Features.



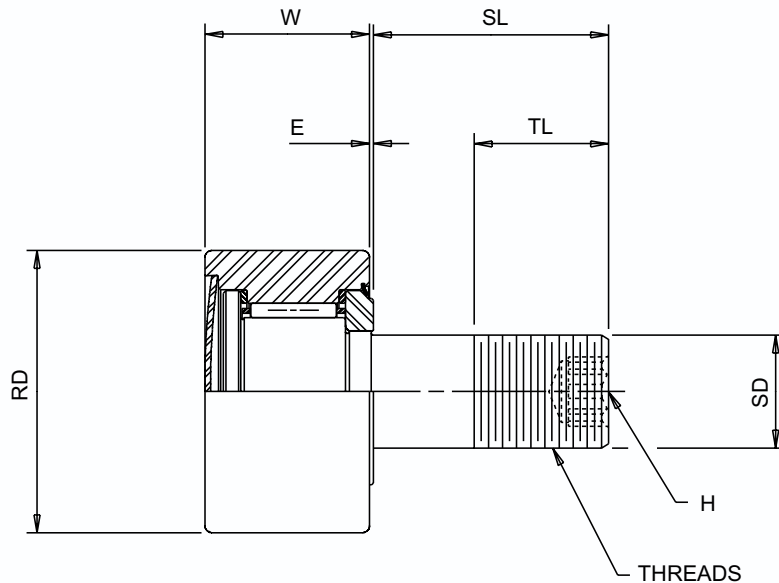
© Emerson Power Transmission Manufacturing, L. P. 2000. All Rights Reserved.

McGILL®

McGILL®
PRECISION BEARINGS

McGILL®

Special-Duty CAMROL® Bearings



INCH SERIES - Dimensions in inches

BEARING NUMBER	ROLLER DIAMETER RD +0.00 -0.01	ROLLER WIDTH W +0.00 -0.010	STUD DIAMETER SD +0.00 -0.01	STUD LENGTH SL	MIN. THREAD LENGTH TL	ENDPLATE EXTENSION E	FINE THREADS	HEX SOCKET H	TRACK ROLLER LOAD RATING, LBS.		CLAMPING TORQUE, LB-IN. (DRY THREADS) (SEE NOTE)
									DYNAMIC	STATIC	
SDCF-1	1.000	0.625	0.4375	1	1/2	1/32	7/16-20	3/16	1,280	1,450	250
SDCF-1 1/4	1.250	0.750	0.500	1 1/4	5/8	1/32	1/2-20	3/16	1,630	2,050	350
SDCF-1 1/2	1.500	0.875	0.625	1 1/2	3/4	1/32	5/8-18	1/4	2,450	3,570	650
SDCF-1 3/4	1.750	1.000	0.750	1 3/4	7/8	1/32	3/4-16	1/4	3,000	4,450	1250
SDCF-2	2.000	1.250	0.875	2	1	1/32	7/8-14	3/8	4,000	6,700	1500
SDCF-2 1/2	2.500	1.500	1.000	2 1/4	1 1/8	1/32	1-14	7/16	5,930	10,400	2250
SDCF-3	3.000	1.750	1.250	2 1/2	1 1/4	1/32	1 1/4-12	7/16	10,500	19,700	3450
SDCF-4	4.000	2.250	1.500	3 1/2	1 1/2	1/32	1 1/2-12	7/16	12,700	23,200	5000

METRIC SERIES - Dimensions in millimeters

BEARING NUMBER	ROLLER DIAMETER RD +0.0 -0.02	ROLLER WIDTH W +0.0 -0.25	STUD DIAMETER SD +0.00 -0.021	STUD LENGTH SL	MIN. THREAD LENGTH TL	ENDPLATE EXTENSION E	THREADS	HEX SOCKET H	TRACK ROLLER LOAD RATING, NEWTONS		CLAMPING TORQUE, N-m (DRY THREADS) (SEE NOTE)
									DYNAMIC	STATIC	
SDMCF-25	25.00	16.00	10.000	25	14	0.8	M10x1.25	5	5,690	6,450	15
SDMCF-40	40.00	25.00	16.000	30	17	0.8	M16x1.5	8	10,890	15,900	57
SDMCF-50	50.00	30.00	20.000	40	22	0.8	M20x1.5	10	17,750	29,800	118
SDMCF-60	60.00	35.00	24.000	50	27	0.8	M24x2	12	26,380	46,300	216
SDMCF-80	80.00	45.00	30.000	60	32	0.8	M30x2	14	46,680	87,600	441
SDMCF-100	100.00	50.00	36.000	80	42	0.8	M36x3	17	56,500	102,300	757

Note: If threads are lubricated, reduce value by 1/2.

Special-Duty CAMROL® Bearings

The Special-Duty Solution

When your application needs more than the industry standard cam follower, consider Special-Duty CAMROL bearings. MCGILL engineers designed these bearings especially for situations involving lube for life conditions and dirty environments.

Maintenance Free Lube-For-Life Contaminated Environments Longer Life

Improved sealing and a large lubricant reservoir make Special-Duty CAMROL bearings ideal for many tough applications. The Special-Duty bearing also has the same envelope dimensions and roller precision of a standard CAMROL bearing.

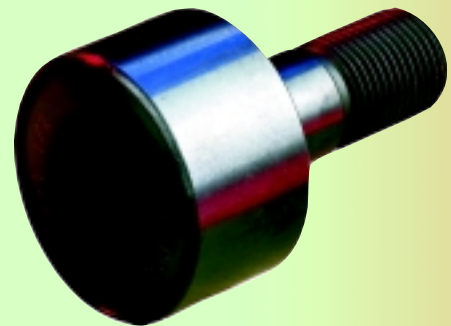
MORE UPTIME!!!!

Lower total costs result in many applications:

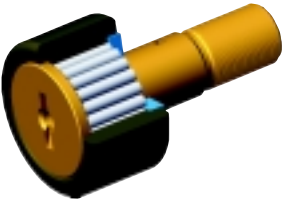
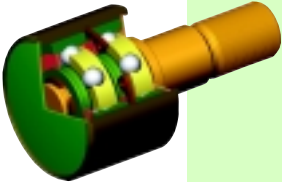
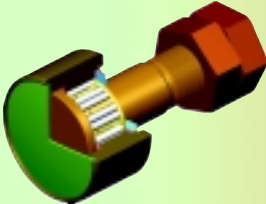
- More Productivity.
- Maintenance free operation.
- Longer life.

MORE CONVENIENCE!!!!

- Easy change-over from existing standard cam follower designs.
- Two jam nuts included with each bearing.
- No relubrication lines.



Special-Duty CAMROL® Bearings

	Standard CAMROL® Cam Followers	*OSBORN LOADRUNNERS® or MCGILL TRAKROL® Bearings	Special-Duty CAMROL® Cam Followers
Construction	 Needle Rollers	 Ball or Tapered Bearing Insert	 Caged Needle Rollers
OD Size Range	1/2 - 8" 13 - 90 mm	1 1/2 - 8"	1 - 4" 25 - 100 mm
Application Fit:			
No Relubrication Required	★★	★★★	★★★
Contamination: Weld Spatter Grit Dust	★★	★★★	★★★
Stud Strength	★★★	★★★ (Ball) ★★★ (Tapered)	★★★
Speed Capability	★★	★★★	★★★
Dimensionally Interchangeable w/ Inch Cam Follower	★★★	•	★★★
Precision	★★★	★★	★★★
Jam Nuts Included	•	•	★★★
Radial Load	★★★	★★	★★
Thrust Load	•	★★	•

• = NA, ★★ = Good, ★★★ = Better

*Osborn and Loadrunners are registered trademarks of the Osborn Manufacturing Company.

MCGILL®

MCGILL®
PRECISION BEARINGS

MCGILL®

MCGILL: Precision Solutions for Tough Applications



CAMROL® Cam Followers

When you want the right cam followers for your needs, come to the company that invented cam followers: MCGILL. Since 1937 we have expanded our line to include more off-the-shelf designs than any other manufacturer.



TRAKROL® Special-Duty Cam Follower Bearings

are designed and built for longer life under combination radial and thrust loads ... special seals extend life in more contaminated applications



CAGEROL® and GUIDEROL® Needle Bearings

offer a wide range of solutions for heavy-duty applications. Available with five different sealing configurations.



SPHERE-ROL® Bearings

For Spherical roller bearing applications involving contamination, consider the SPHERE-ROL® bearings. Our 22200 and 22300 series are available with optional seals and fit inside the standard bearing dimensions.

**For ordering information, contact your authorized MCGILL Distributor or
MCGILL Customer Service: Telephone: 219-465-2200; FAX: 219-465-2290**

APPLICATION CONSIDERATIONS

The proper selection and application of power transmission products and components, including the related area of product safety, is the responsibility of the customer. Operating and performance requirements and potential associated issues will vary appreciably depending upon the use and application of such products and components. The scope of the technical and application information included in this publication is necessarily limited. Unusual operating environments and conditions, lubrication requirements, loading supports, and other factors can materially affect the application and operating results of the products and components and the customer should carefully review its requirements. Any technical advice or review furnished by Emerson Power Transmission Corporation and its divisions with respect

to the use of products and components is given in good faith and without charge, and Emerson assumes no obligation or liability for the advice given, or results obtained, all such advice and review being given and accepted at customer's risk.

For a copy of our Standard Terms and Conditions of Sale, Disclaimers of Warranty, Limitation of Liability and Remedy, please contact MCGILL customer service, 1-219-465-2200. These terms and conditions of sale, disclaimers and limitations of liability apply to any person who may buy, acquire or use an Emerson Power Transmission Corporation product referred to herein, including any person who buys from a licensed distributor of these branded products.

MCGILL, SPHERE-ROL, CAMROL, MCFR, MCF, MCFD, MCYR, MCYRR, NYLAPLATE, LAMBDA, TRAKROL, CAGEROL, LUBRI-DISC are all registered trademarks of Emerson Power Transmission Manufacturing, L. P. and/or McGill Manufacturing Co., Inc.

Form #8700 5/00 M
Printed in U.S.A.



MCGILL
PRECISION BEARINGS



EMERSON POWER TRANSMISSION
909 N. LAFAYETTE STREET
VALPARISO, IN 46383-4299